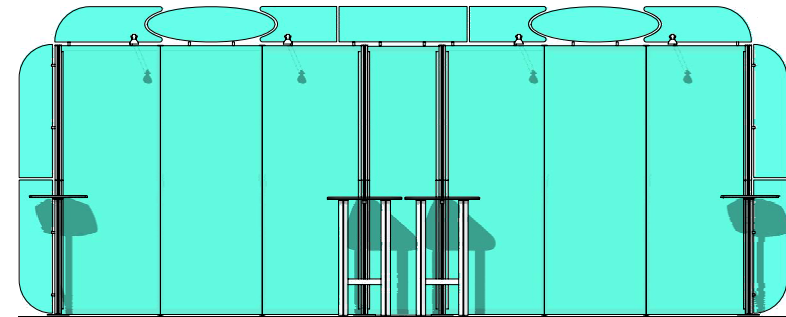
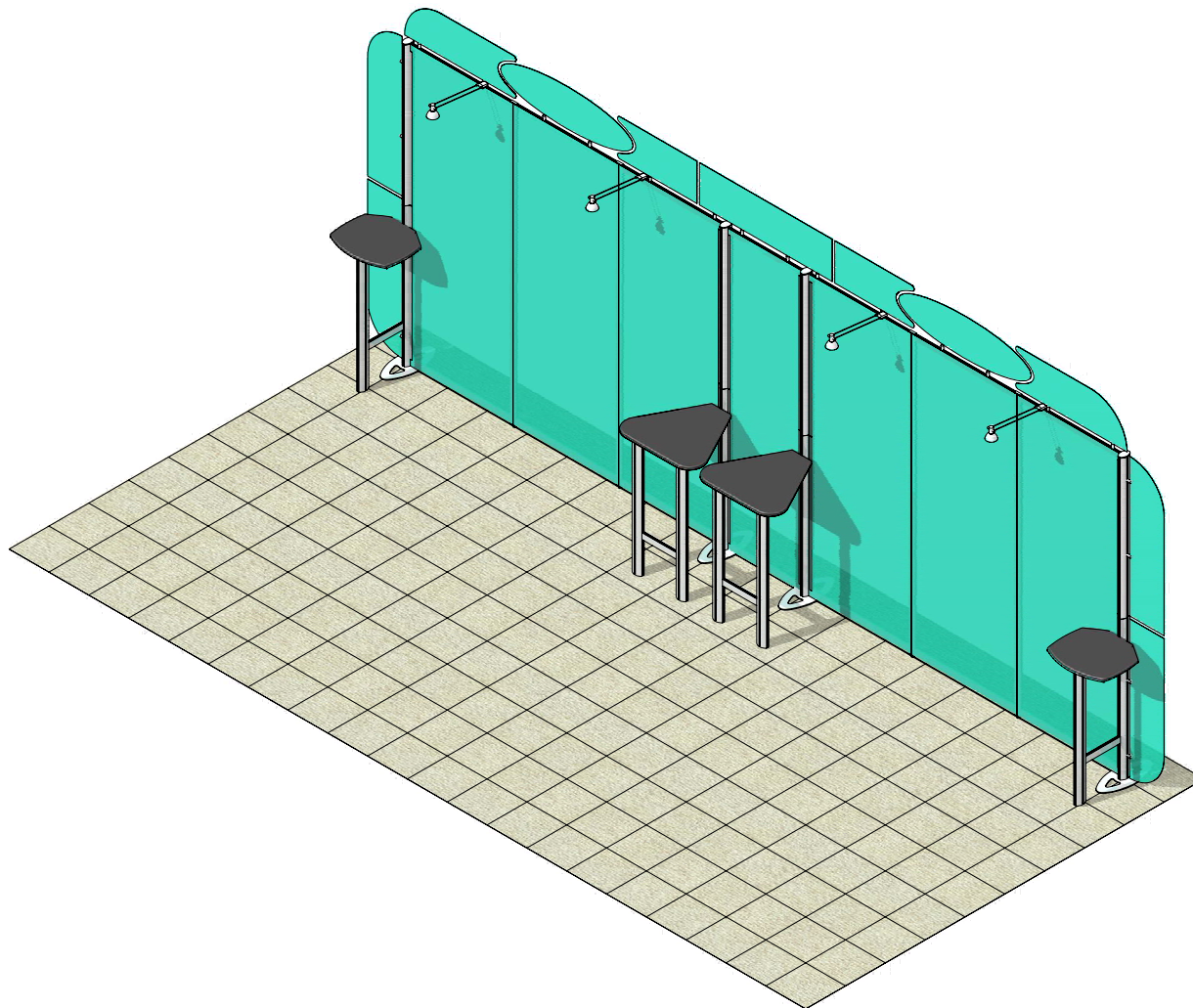
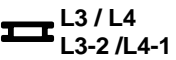
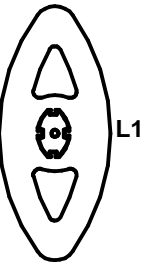
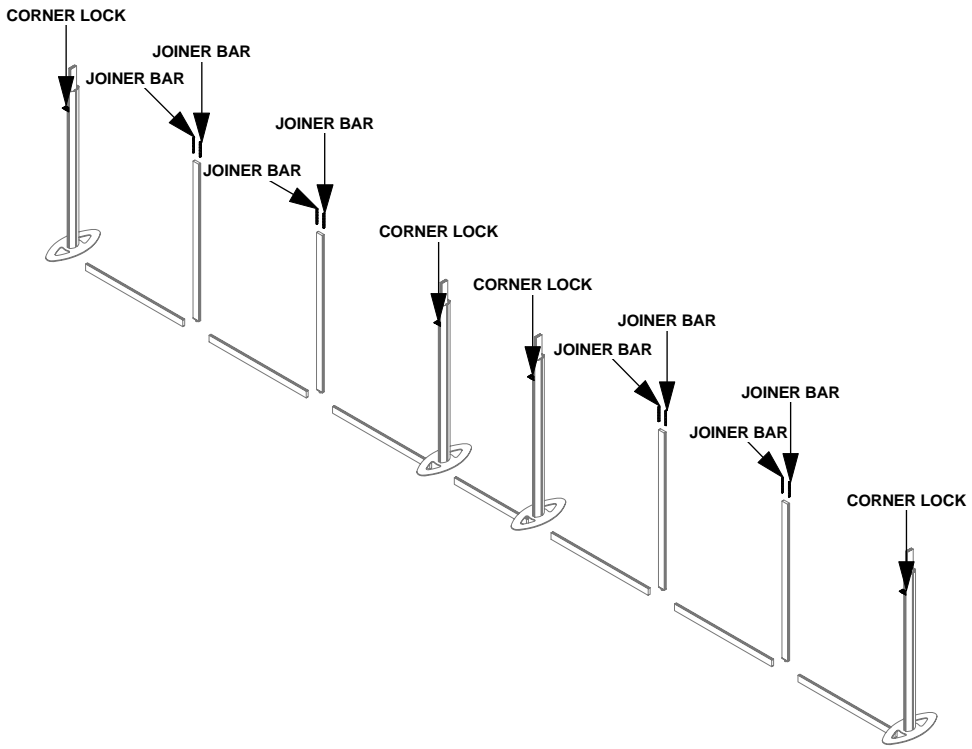
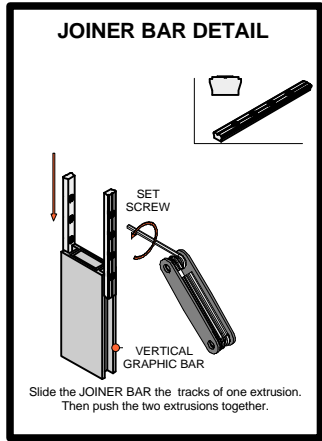
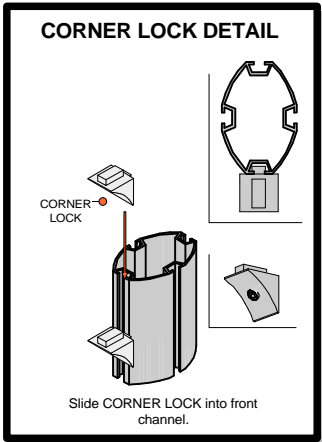
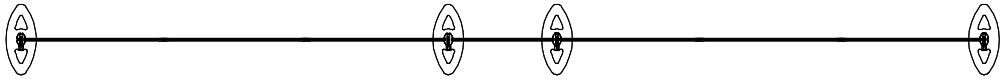


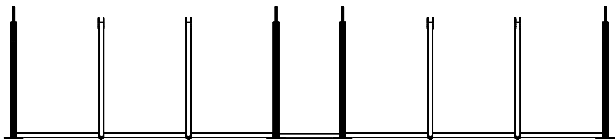
LINEAR 19

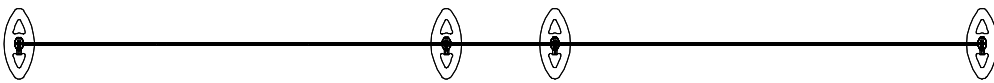


Code	#	Description
JOINER BAR	8	JOINER BAR
CORNER LOCK	4	CORNER LOCK

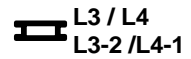
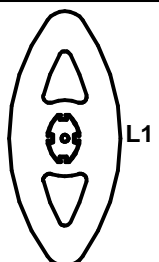
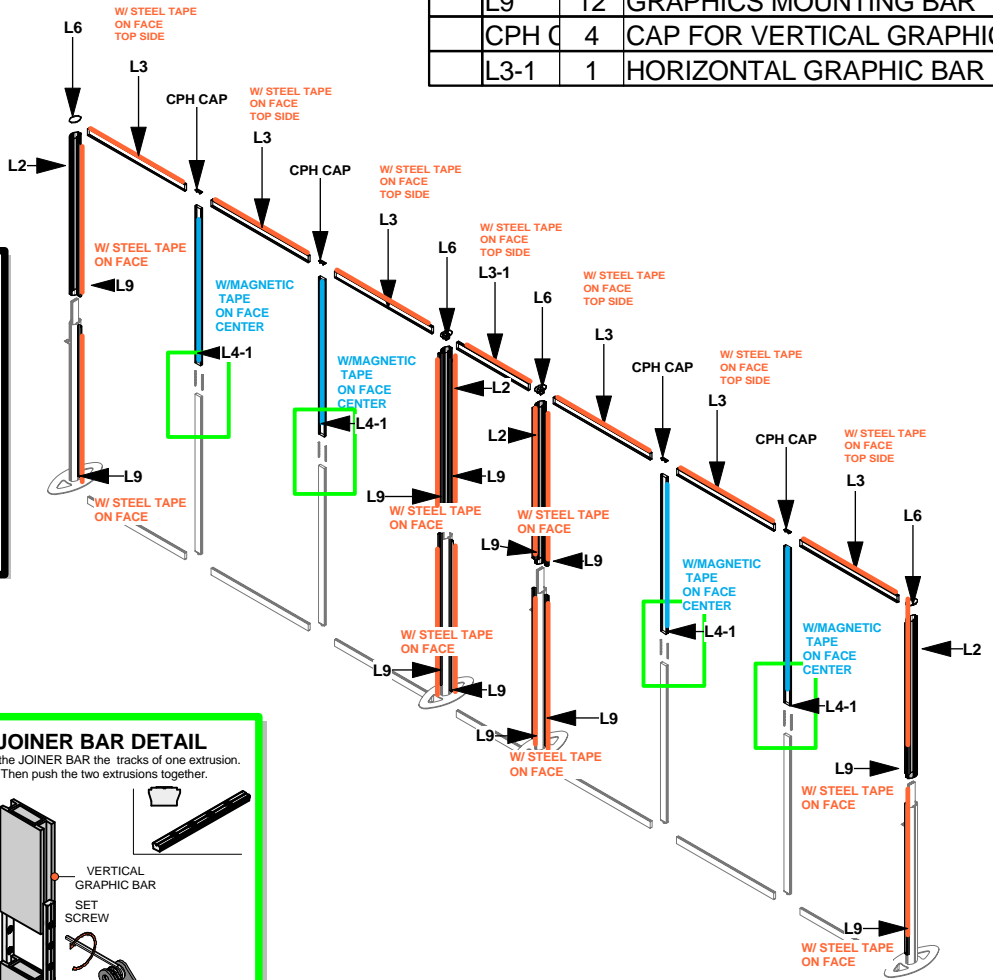
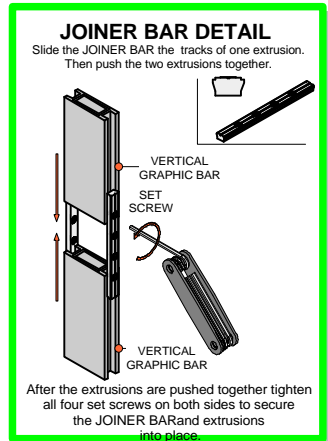
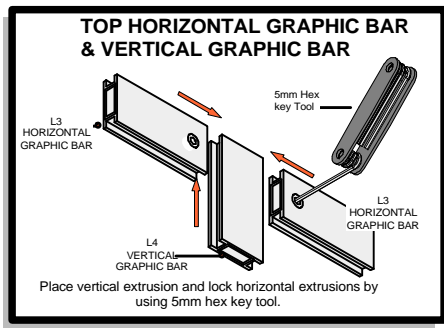
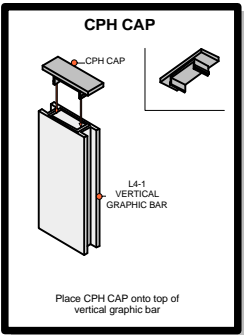
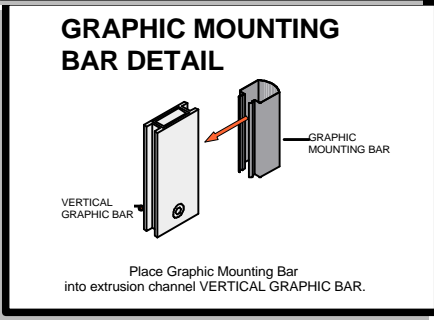
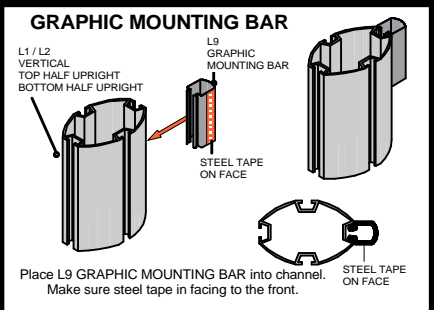


LINEAR

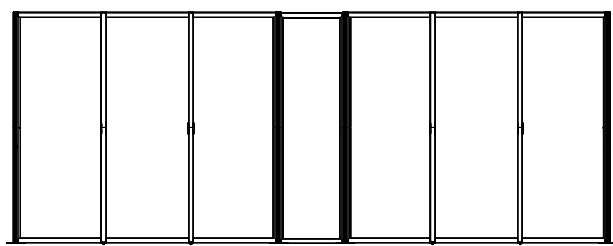




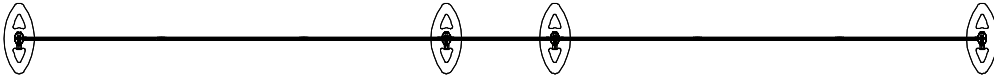
Code	#	Description
L2	4	TOP HALF UPRIGHT
L6	4	CAP
L3	6	HORIZONTAL GRAPHIC BAR
L4-1	4	VERTICAL GRAPHIC BAR
L9	12	GRAPHICS MOUNTING BAR
CPH C	4	CAP FOR VERTICAL GRAPHIC BAR
L3-1	1	HORIZONTAL GRAPHIC BAR



LINEAR



Code	#	Description
L5-2	1	GRAPHICS
L5-1	1	GRAPHICS
L5-3	1	GRAPHICS
IL5-4	1	GRAPHICS
L5-6	1	GRAPHICS
L5-7	1	GRAPHICS
L5-5	1	GRAPHICS



W/ MAGNETIC TAPE
ON BACKSIDE
ALL SIDES

L5-1
W/ MAGNETIC TAPE
ON BACKSIDE
ALL SIDES

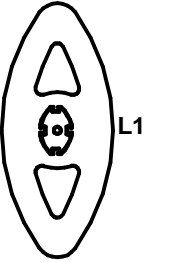
L5-2
W/ MAGNETIC TAPE
ON BACKSIDE
ALL SIDES

L5-3
W/ MAGNETIC TAPE
ON BACKSIDE
ALL SIDES

IL5-4
W/ MAGNETIC TAPE
ON BACKSIDE
ALL SIDES

L5-5
W/ MAGNETIC TAPE
ON BACKSIDE
ALL SIDES

L5-6
W/ MAGNETIC TAPE
ON BACKSIDE
ALL SIDES



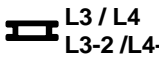
L1



L2

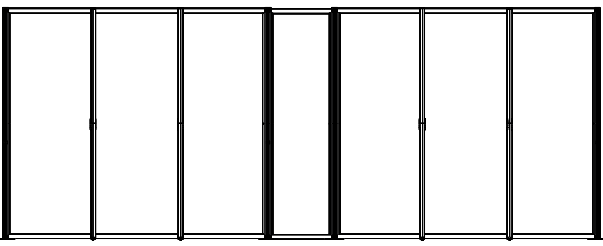
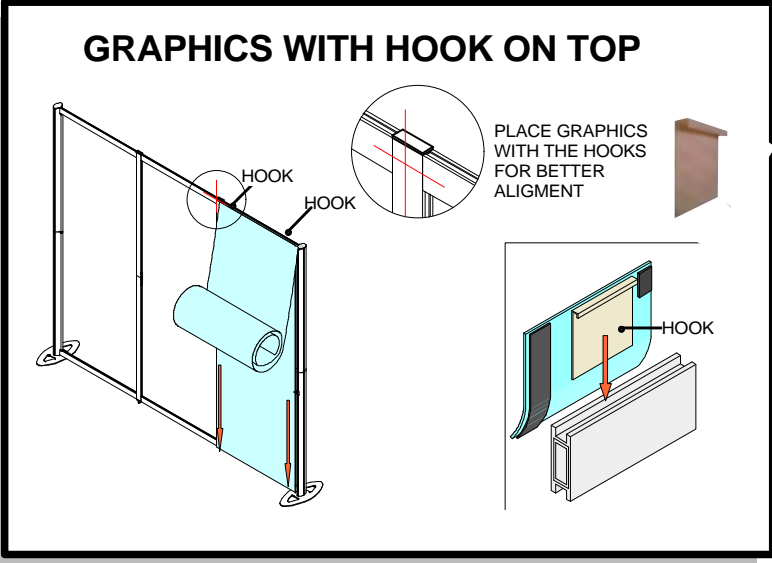


L9

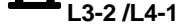
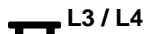
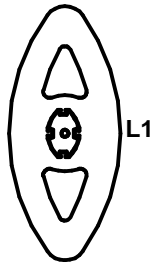
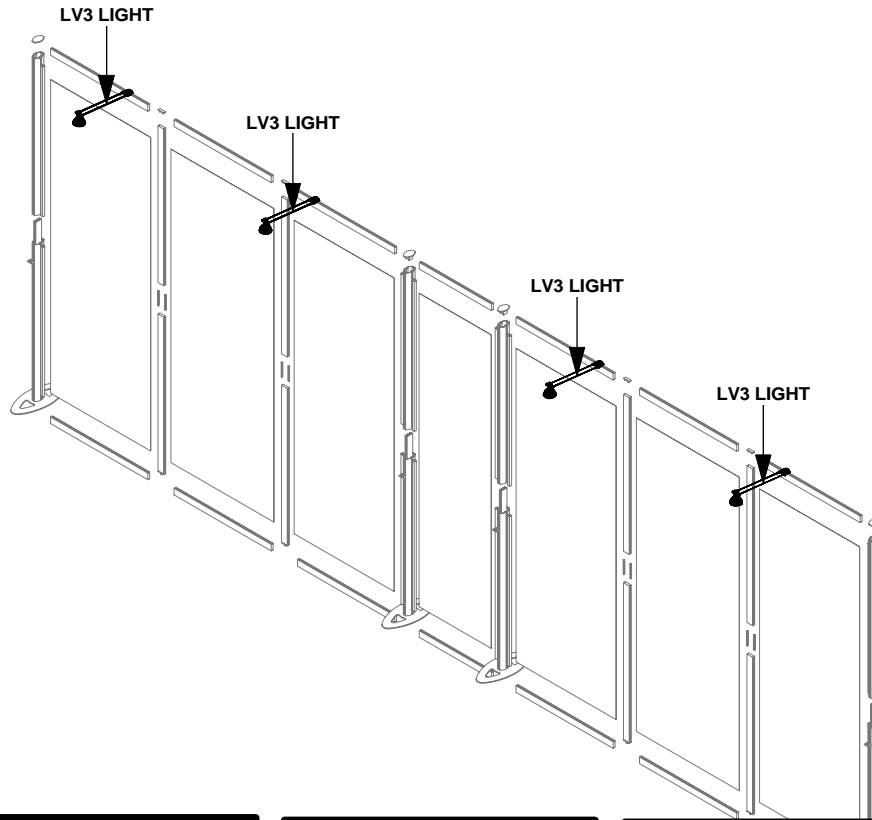
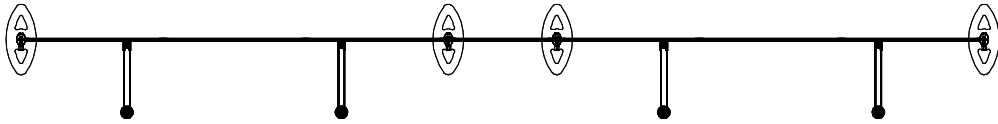


L3 / L4
L3-2 / L4-1

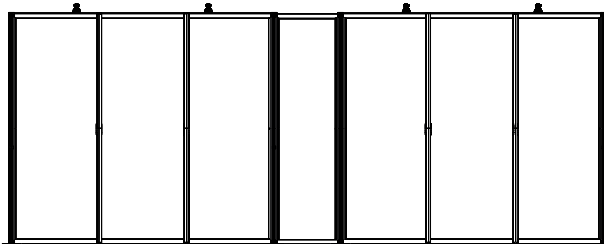
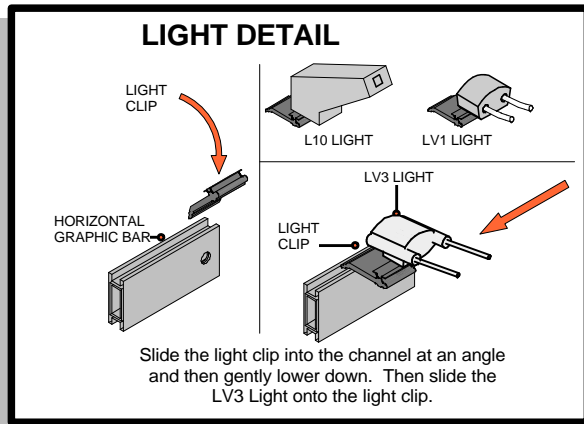
LINEAR

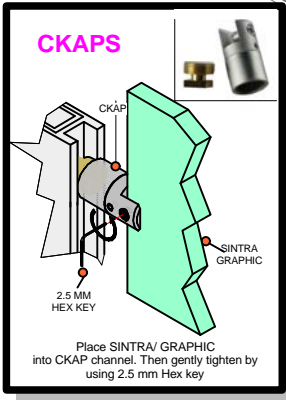
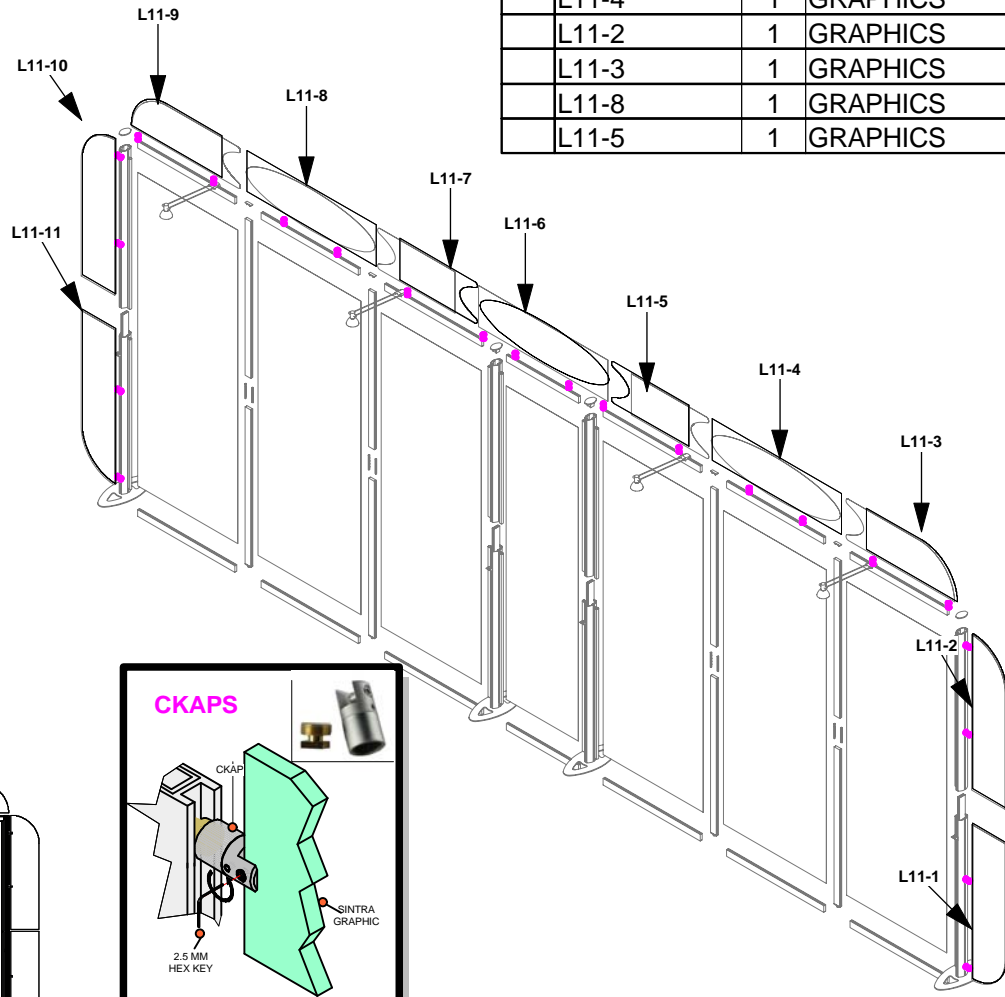
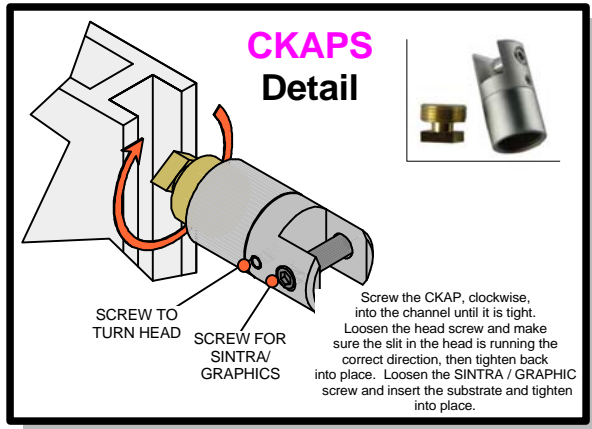
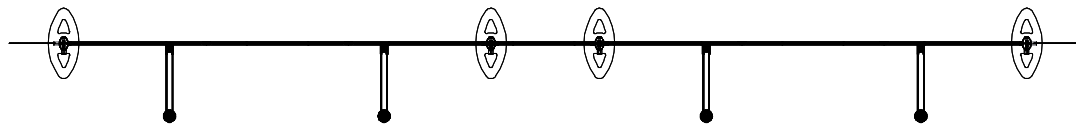


Code	#	Description
LV3 LIGHT	4	GREY SKINNY LIGHT WITH OSRAM TITAN 50W LA

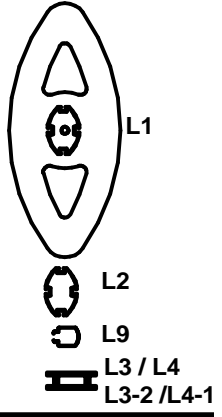


LINEAR

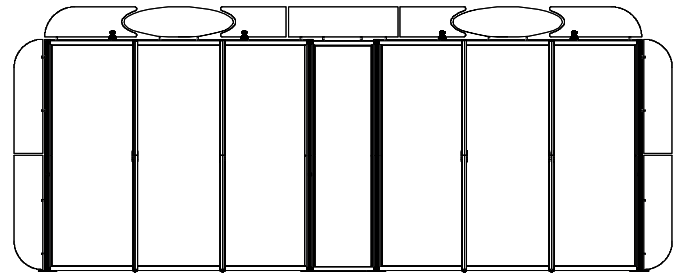


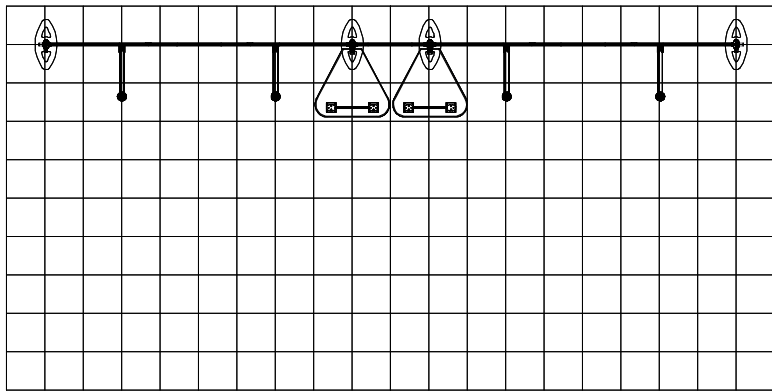


Code	#	Description
CKAPS	22	STANDOFFS
L11-9	1	GRAPHICS
L11-1	1	GRAPHICS
L11-6	1	GRAPHICS
L11-7	1	GRAPHICS
L11-11	1	GRAPHICS
L11-10	1	GRAPHICS
L11-4	1	GRAPHICS
L11-2	1	GRAPHICS
L11-3	1	GRAPHICS
L11-8	1	GRAPHICS
L11-5	1	GRAPHICS

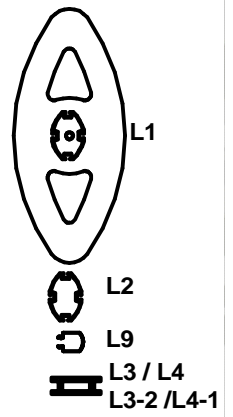
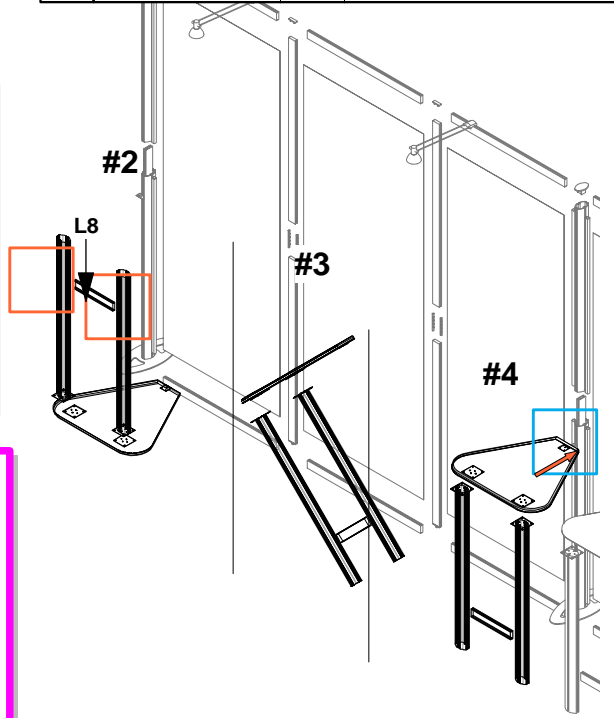
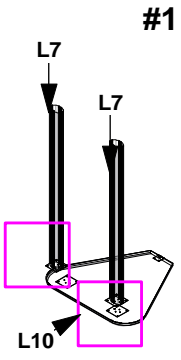


LINEAR

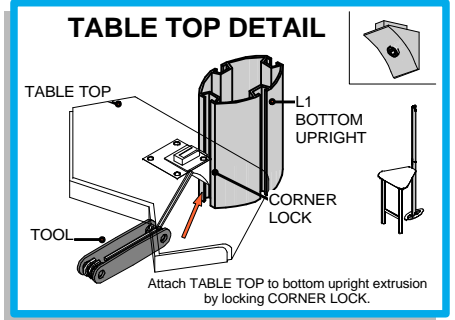
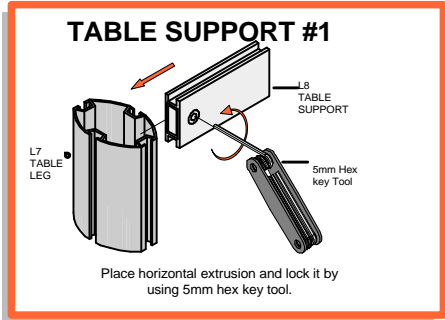
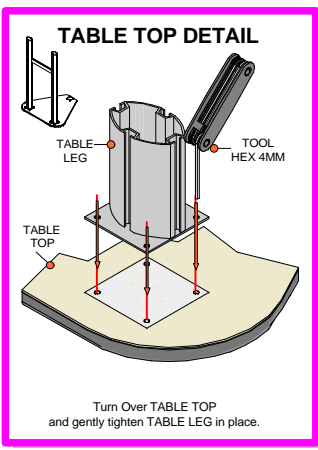
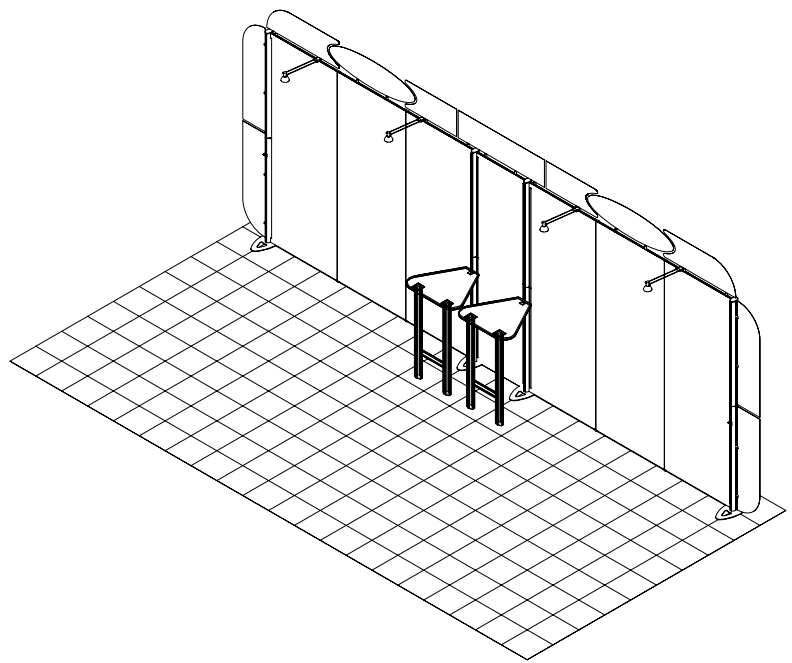


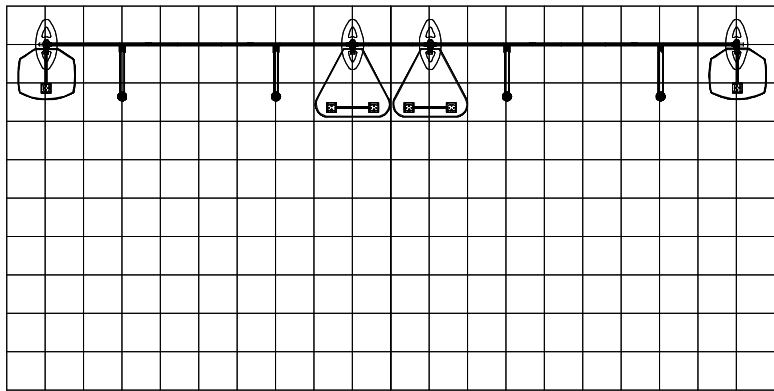


Code	#	Description
L10	2	TABLE TOP
L7	4	TABLE LEG
L8	2	TABLE SUPPORT

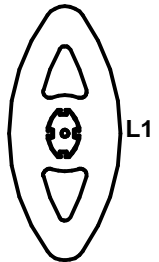


LINEAR





Code	#	Description
L17	2	TABLE TOP
L7	2	TABLE LEG
	2	
L8	2	TABLE SUPPORT



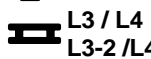
L1



L2



L9



L3 / L4
L3-2 / L4-1

LINEAR

