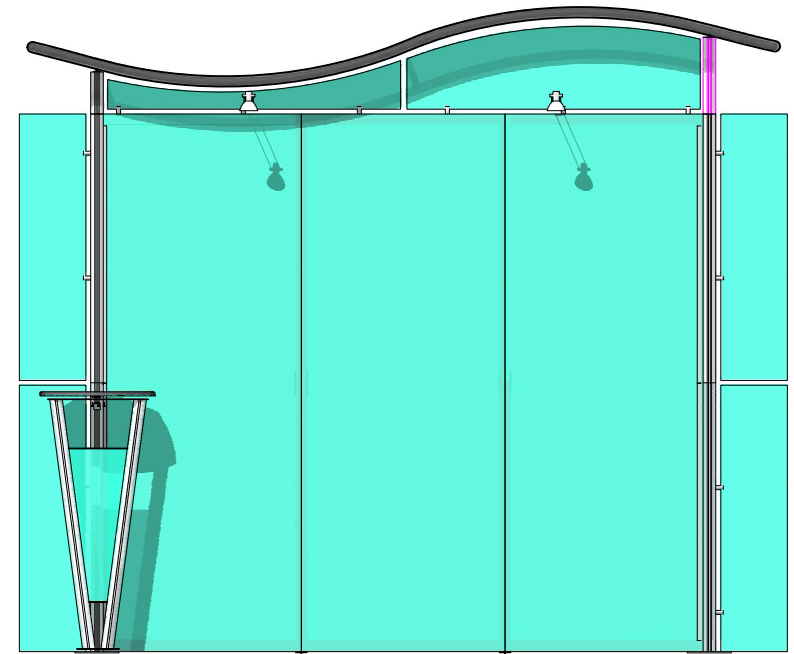
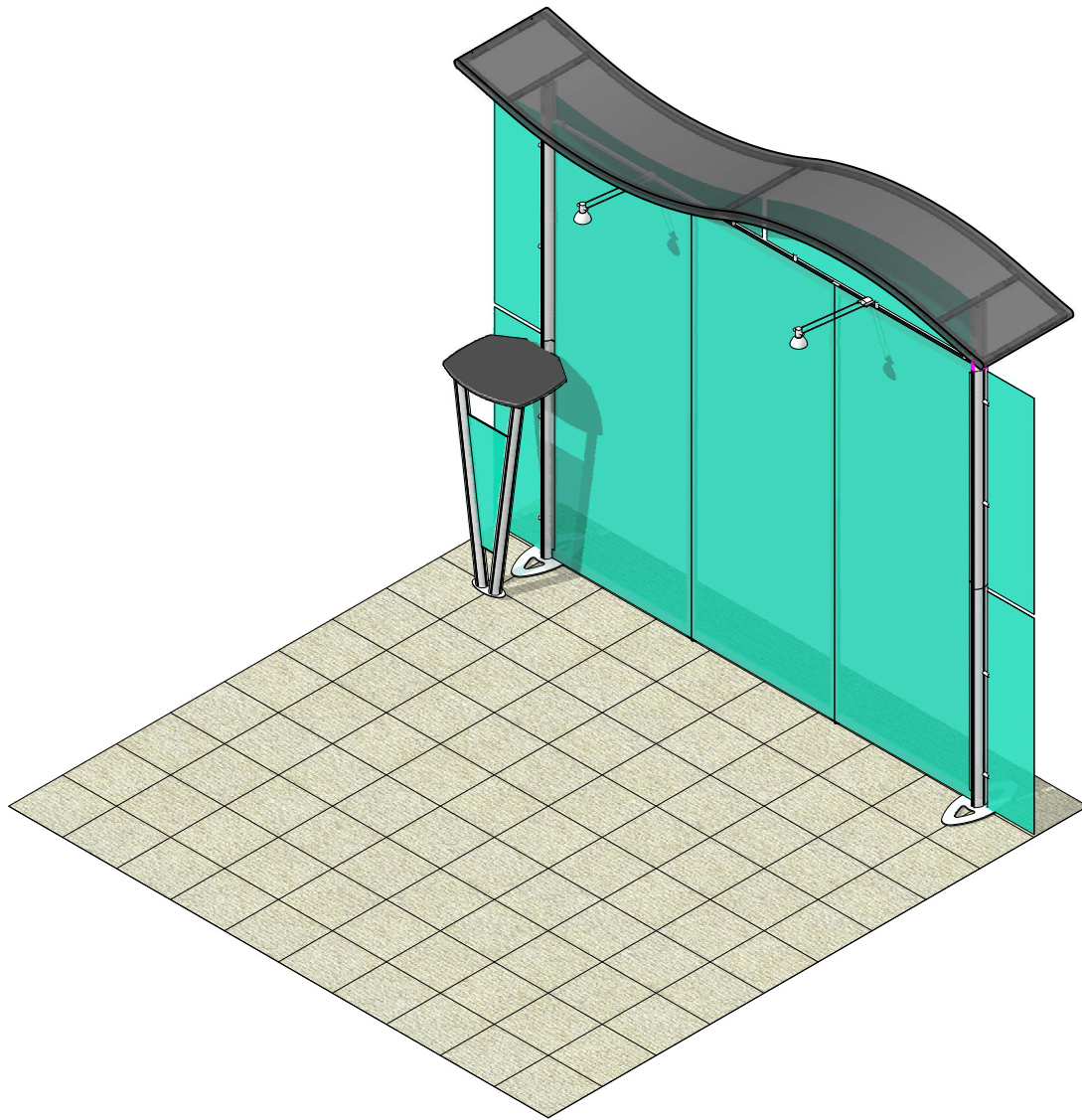
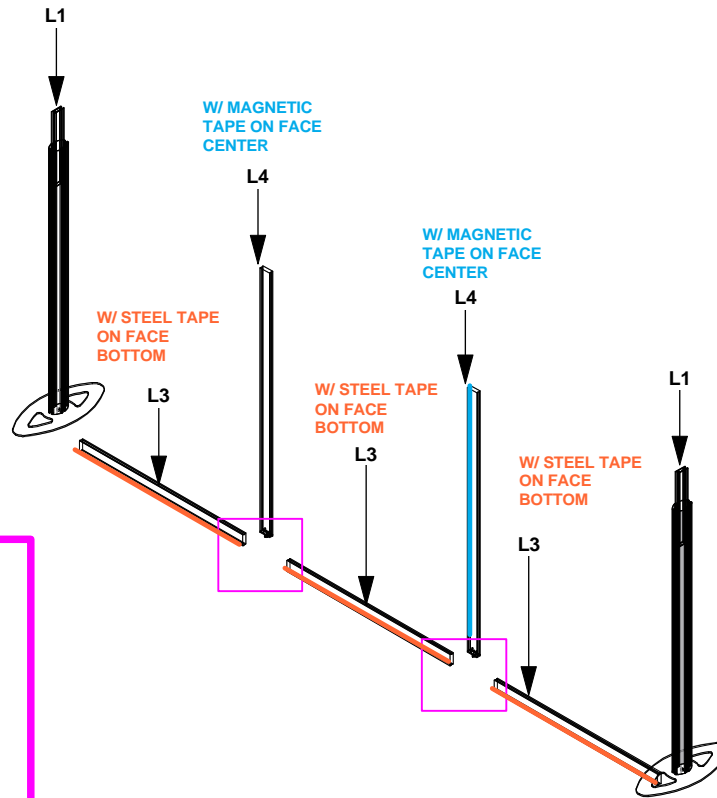
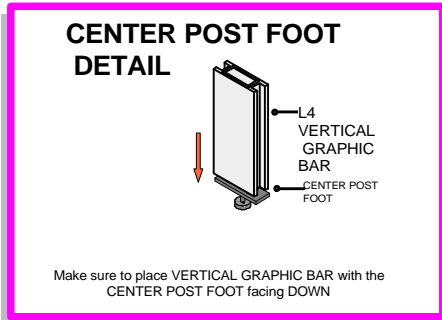
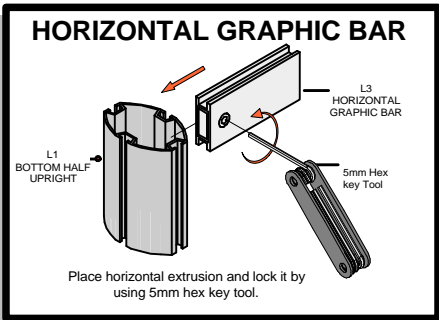
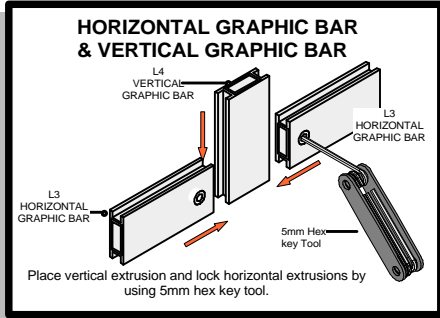
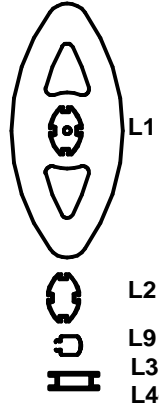


# LINEAR 24





Code	#	Description
L3	3	HORIZONTAL GRAPHIC BAR
L4	2	VERTICAL GRAPHIC BAR WITH CENTER FOOT POST
L1	2	BOTTOM HALF UPRIGHT



LINEAR

Code	#	Description
JOINER BAR	4	JOINER BAR



**CORNER LOCK DETAIL**

CORNER LOCK

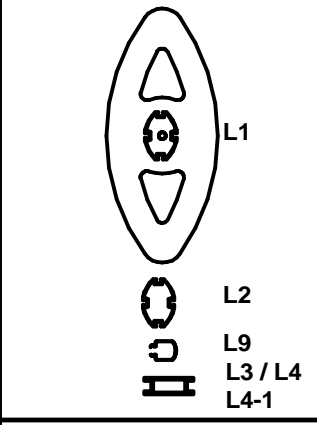
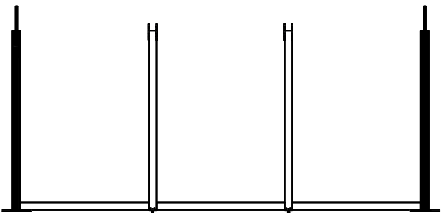
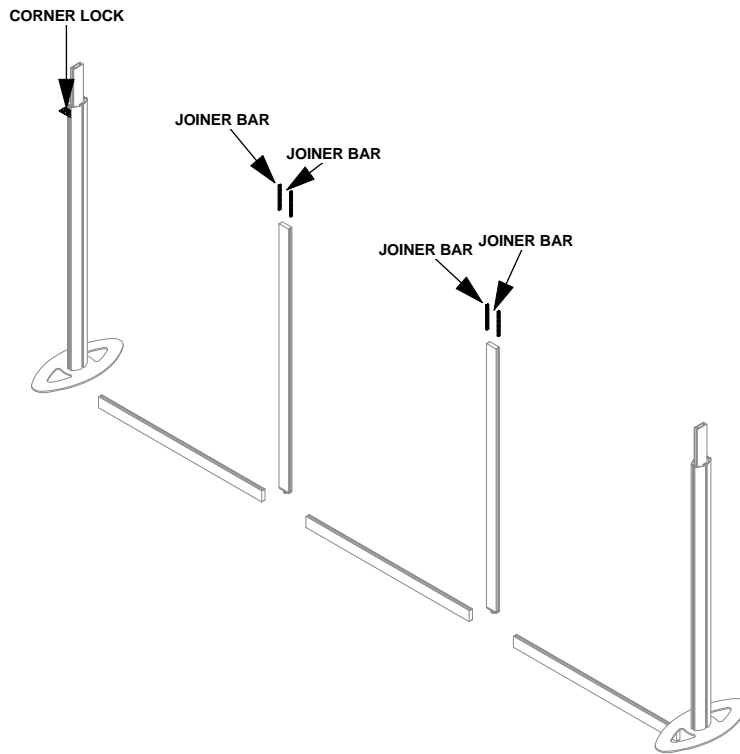
Slide CORNER LOCK into front channel.

**JOINER BAR DETAIL**

SET SCREW

VERTICAL GRAPHIC BAR

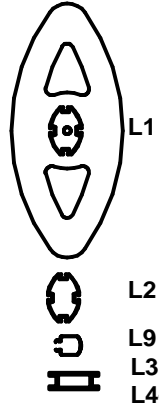
Slide the JOINER BAR the tracks of one extrusion. Then push the two extrusions together.



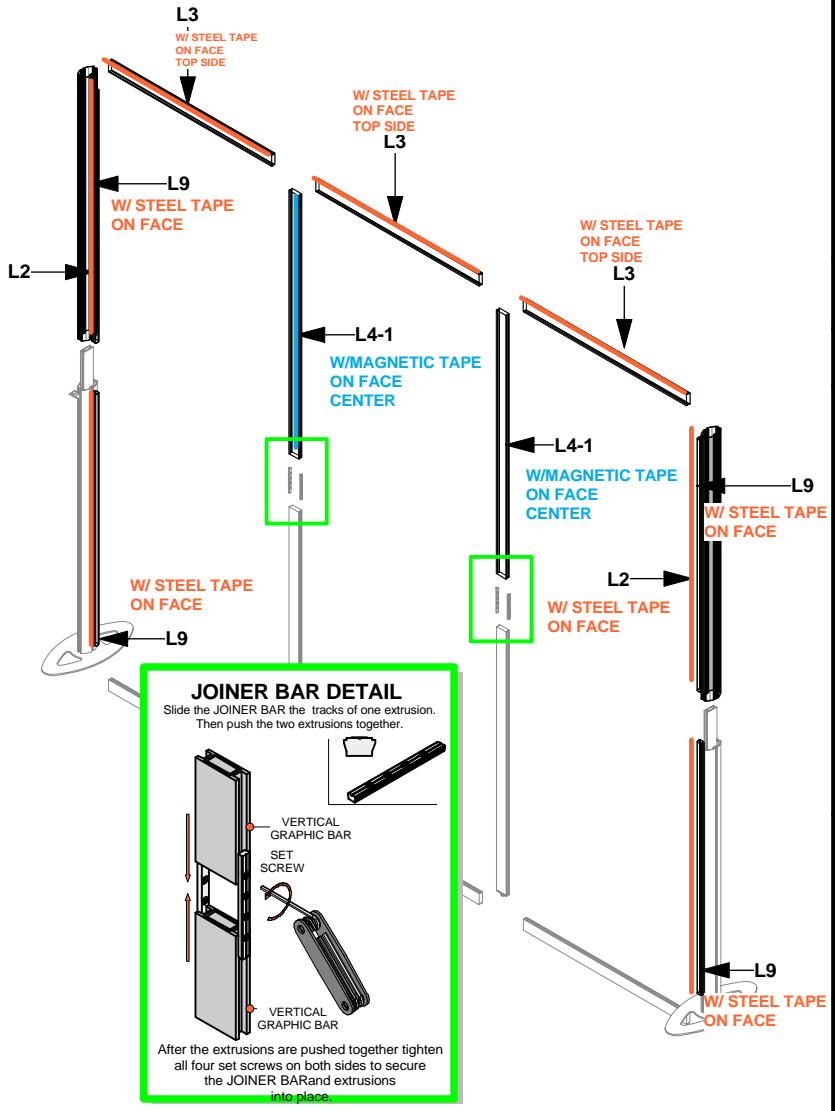
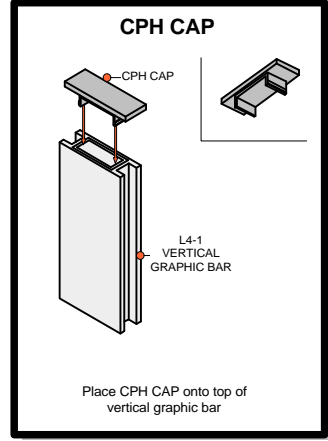
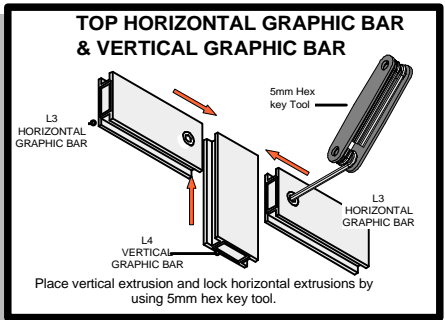
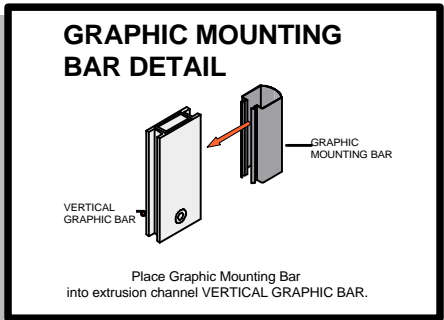
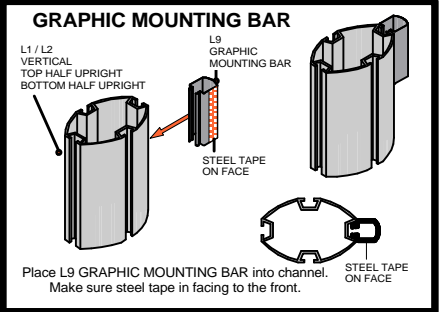
**LINEAR**



Code	#	Description
L2	2	TOP HALF UPRIGHT
L3	3	HORIZONTAL GRAPHIC BAR
L4-1	2	VERTICAL GRAPHIC BAR
L9	4	GRAPHICS MOUNTING BAR

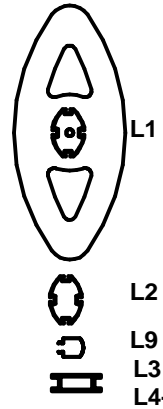
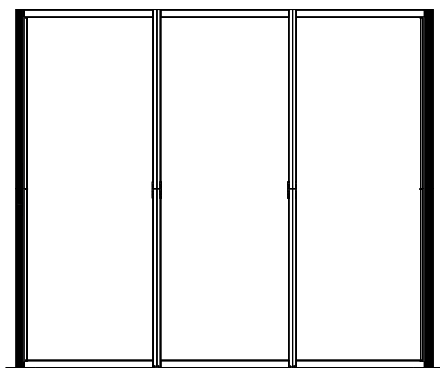
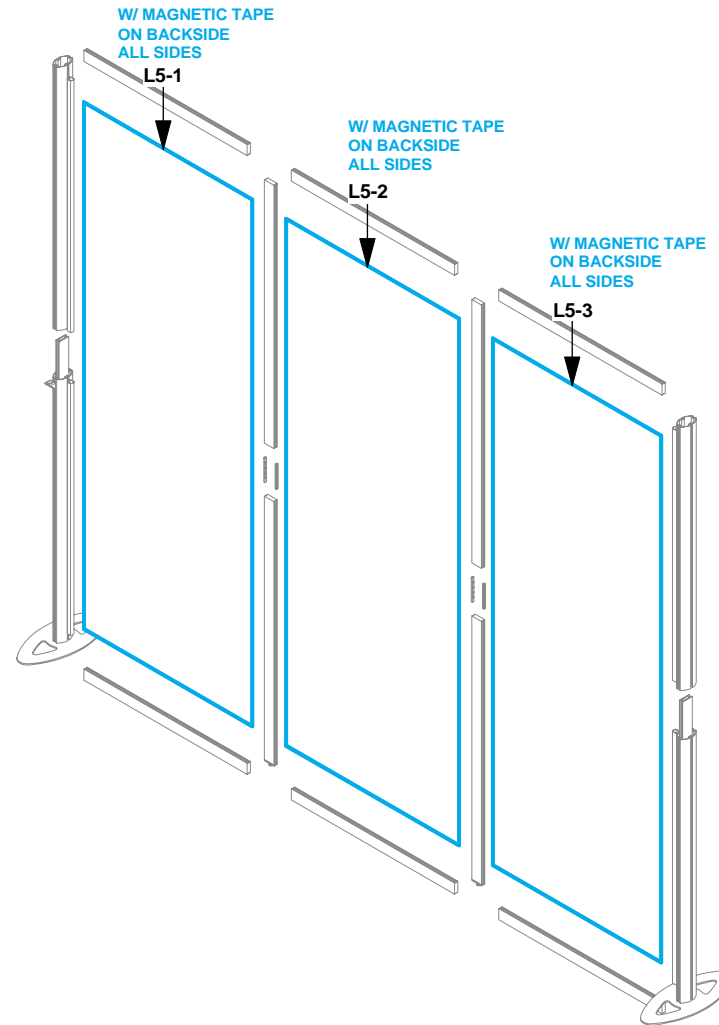
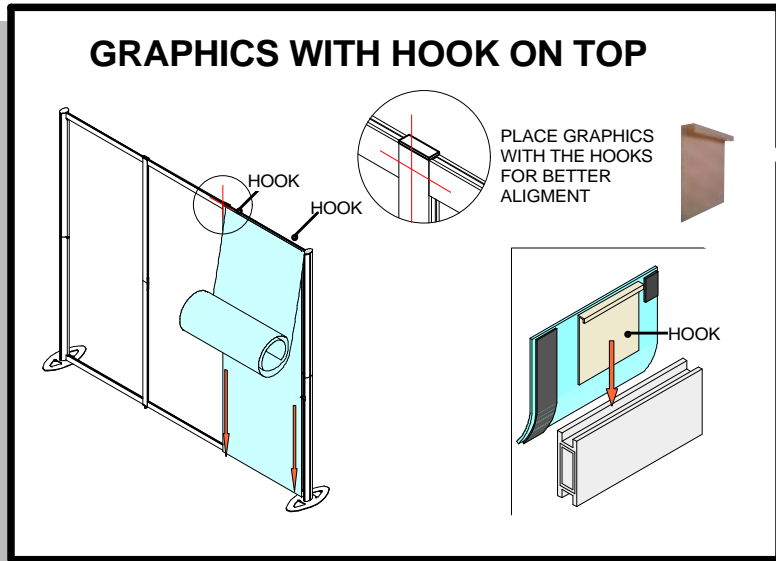


LINEAR



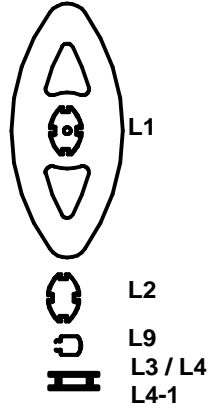
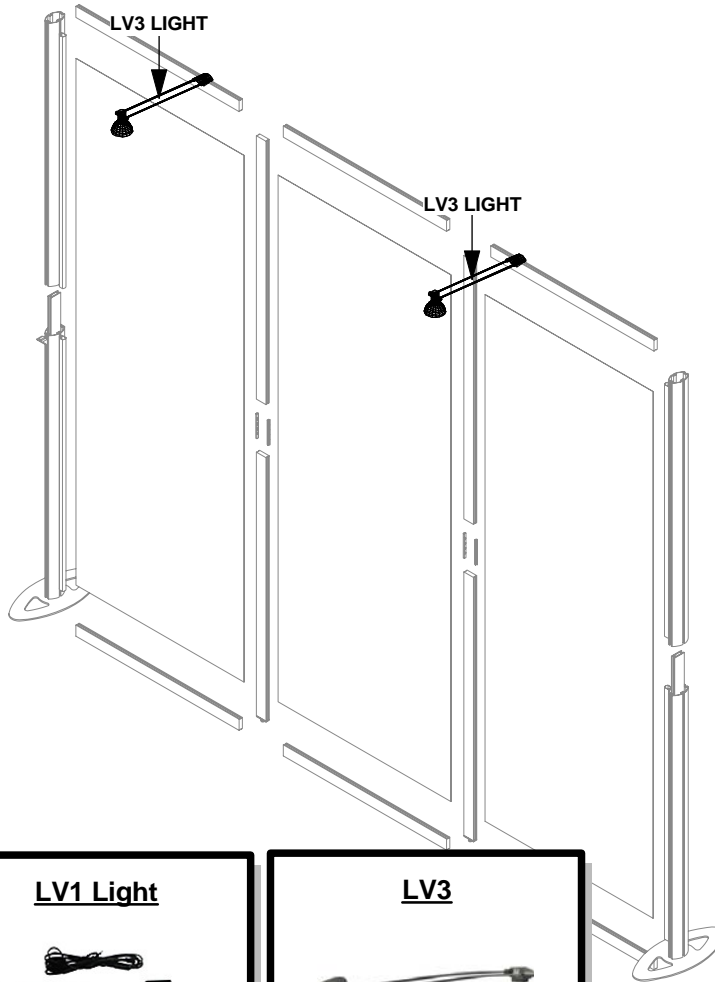
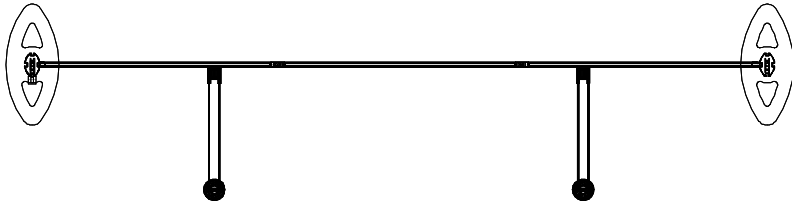


Code	#	Description
L5-2	1	GRAPHICS
L5-1	1	GRAPHICS
L5-3	1	GRAPHICS



**LINEAR**

Code	#	Description
LV3 LIGHT	2	GREY SKINNY LIGHT WITH OSRAM TITAN 50W LA



**LIGHT DETAIL**

LIGHT CLIP

L10 LIGHT

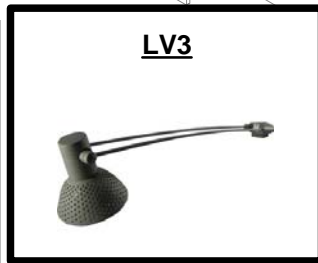
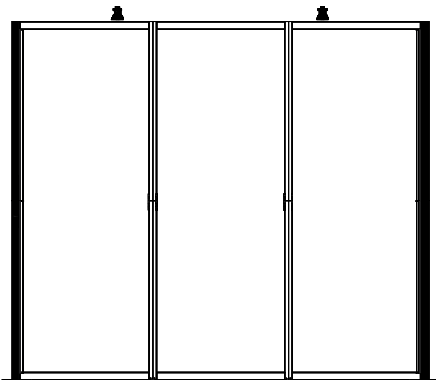
LV1 LIGHT

HORIZONTAL GRAPHIC BAR

LV3 LIGHT

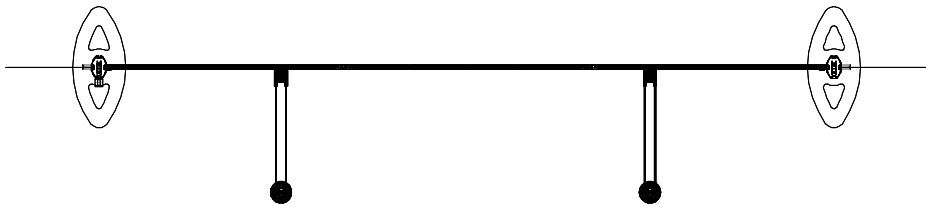
LIGHT CLIP

Slide the light clip into the channel at an angle and then gently lower down. Then slide the LV3 Light onto the light clip.

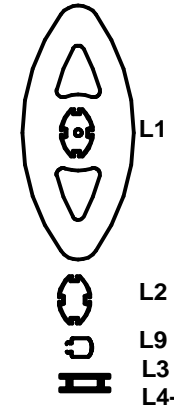


**LINEAR**

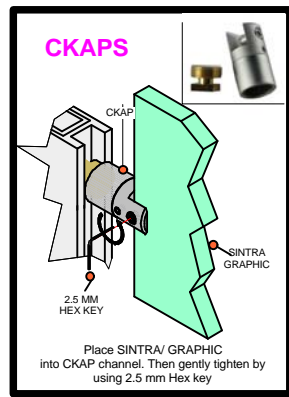
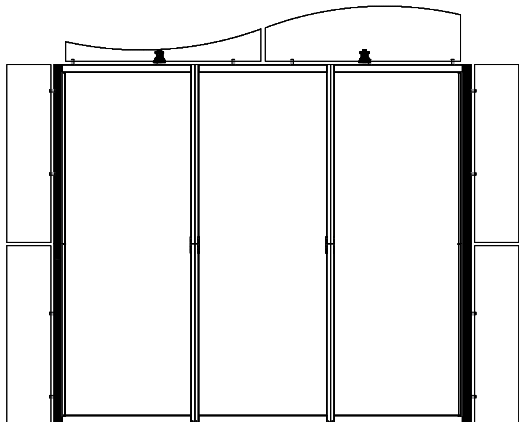
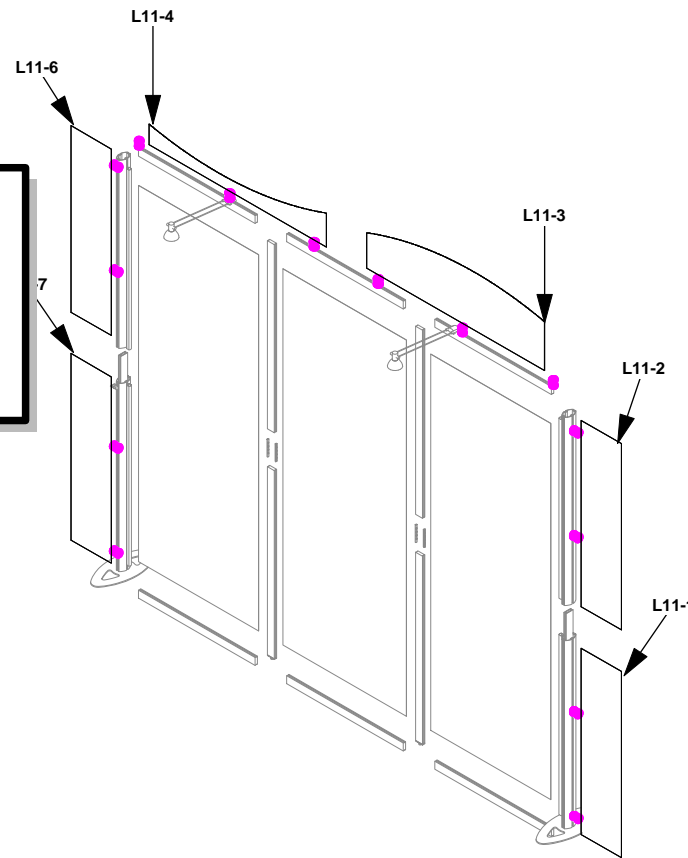
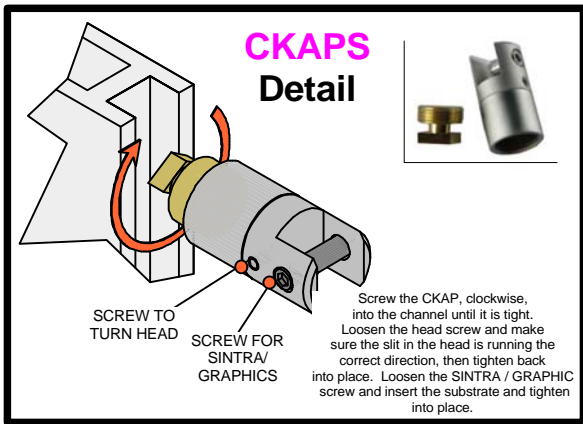


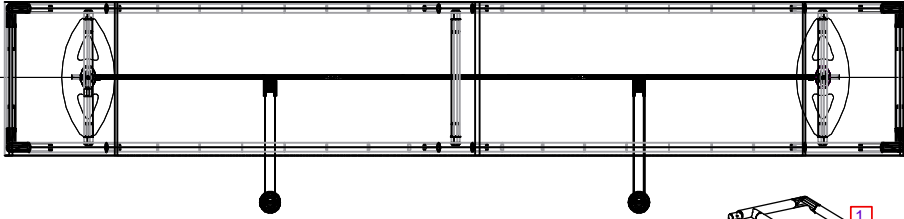


Code	#	Description
CKAPS	14	STANDOFFS
L11-1	1	GRAPHICS
L11-2	1	GRAPHICS
L11-6	1	GRAPHICS
L11-4	1	GRAPHICS
L11-7	1	GRAPHICS
L11-3	1	GRAPHICS



LINEAR



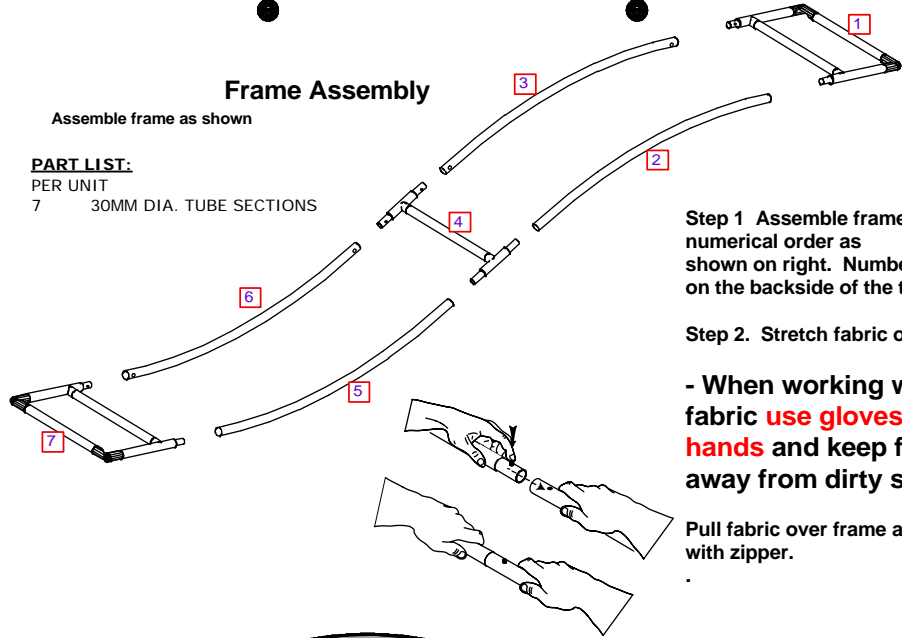


### Frame Assembly

Assemble frame as shown

#### PART LIST:

PER UNIT  
7 30MM DIA. TUBE SECTIONS



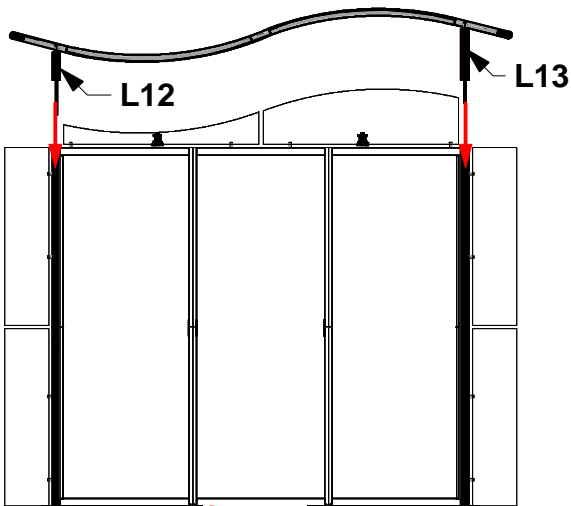
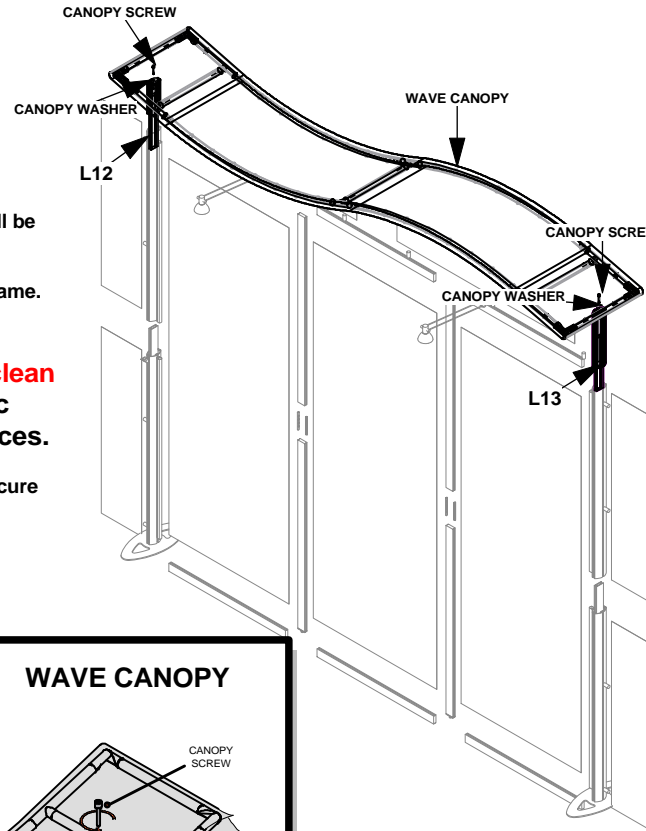
Step 1 Assemble frame in numerical order as shown on right. Numbers will be on the backside of the tube.

Step 2. Stretch fabric over frame.

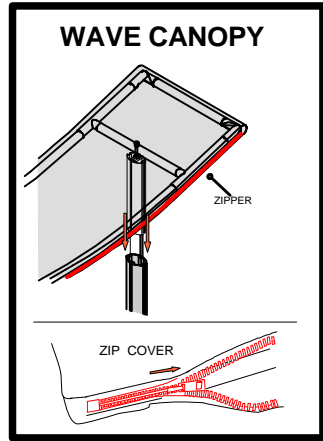
- When working with fabric **use gloves or clean hands** and keep fabric away from dirty surfaces.

Pull fabric over frame and secure with zipper.

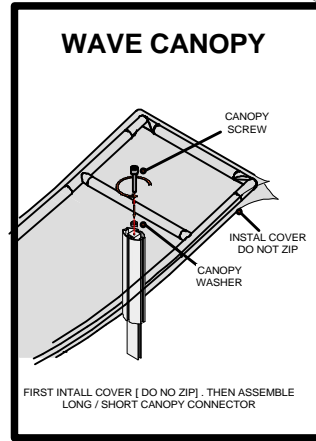
Code	#	Description
L13	1	LONG CANOPY CONNECTOR
L12	1	SHORT CANOPY CONNECTOR
WAVE CANOPY	1	WAVE CANOPY
CANOPY SCREW	2	CANOPY SCREW
CANOPY WASHER	2	CANOPY WASHER



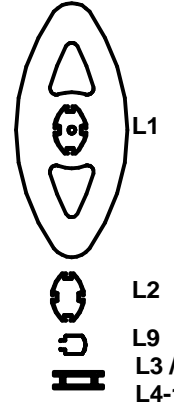
STEP # 3



STEP # 3

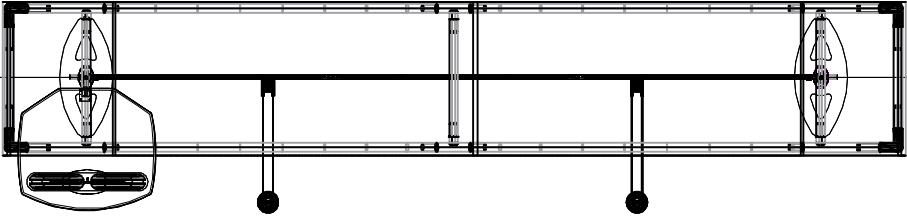


STEP #1

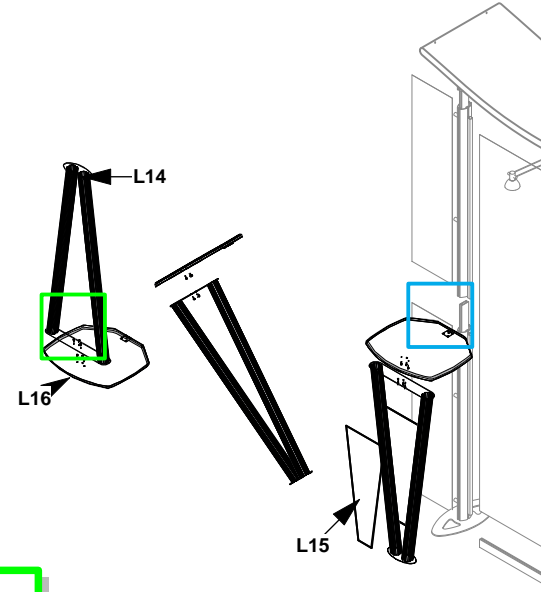
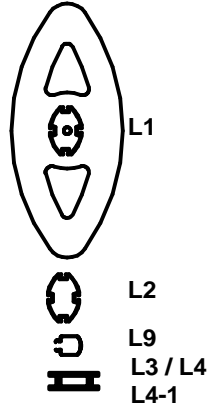


LINEAR





Code	#	Description
L15	1	V-LEG GRAPHIC
	1	
L16	1	TABLE TOP V-LEG
L14	1	V-LEG TABLE



LINEAR

