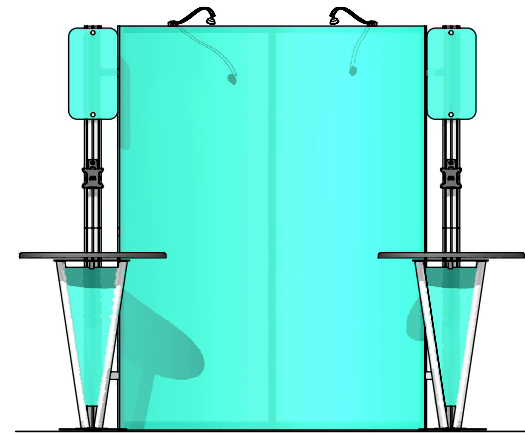
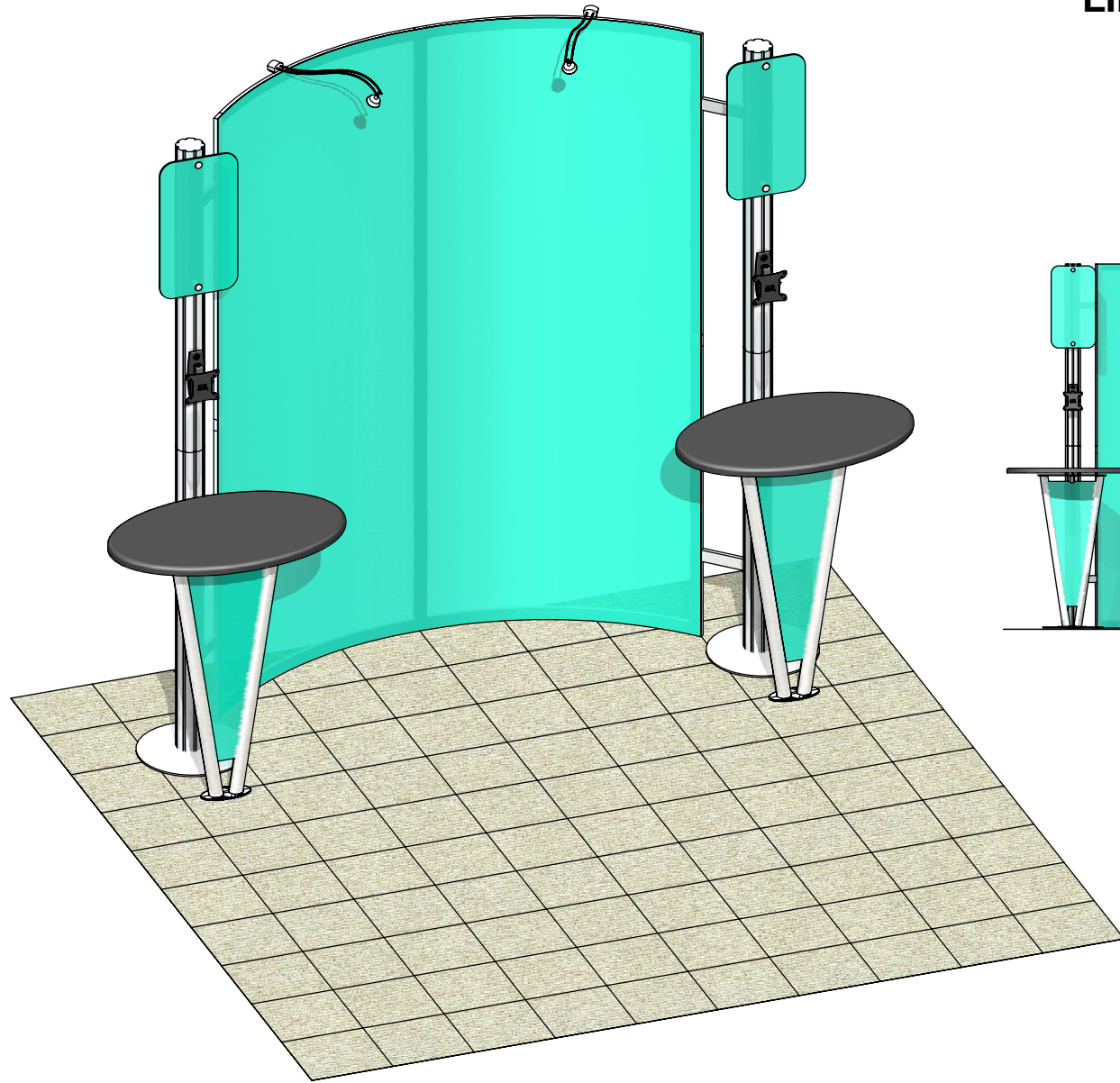


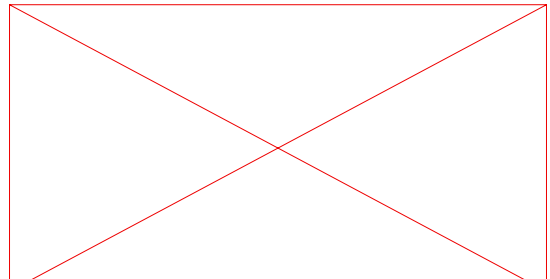
# LINEAR 31

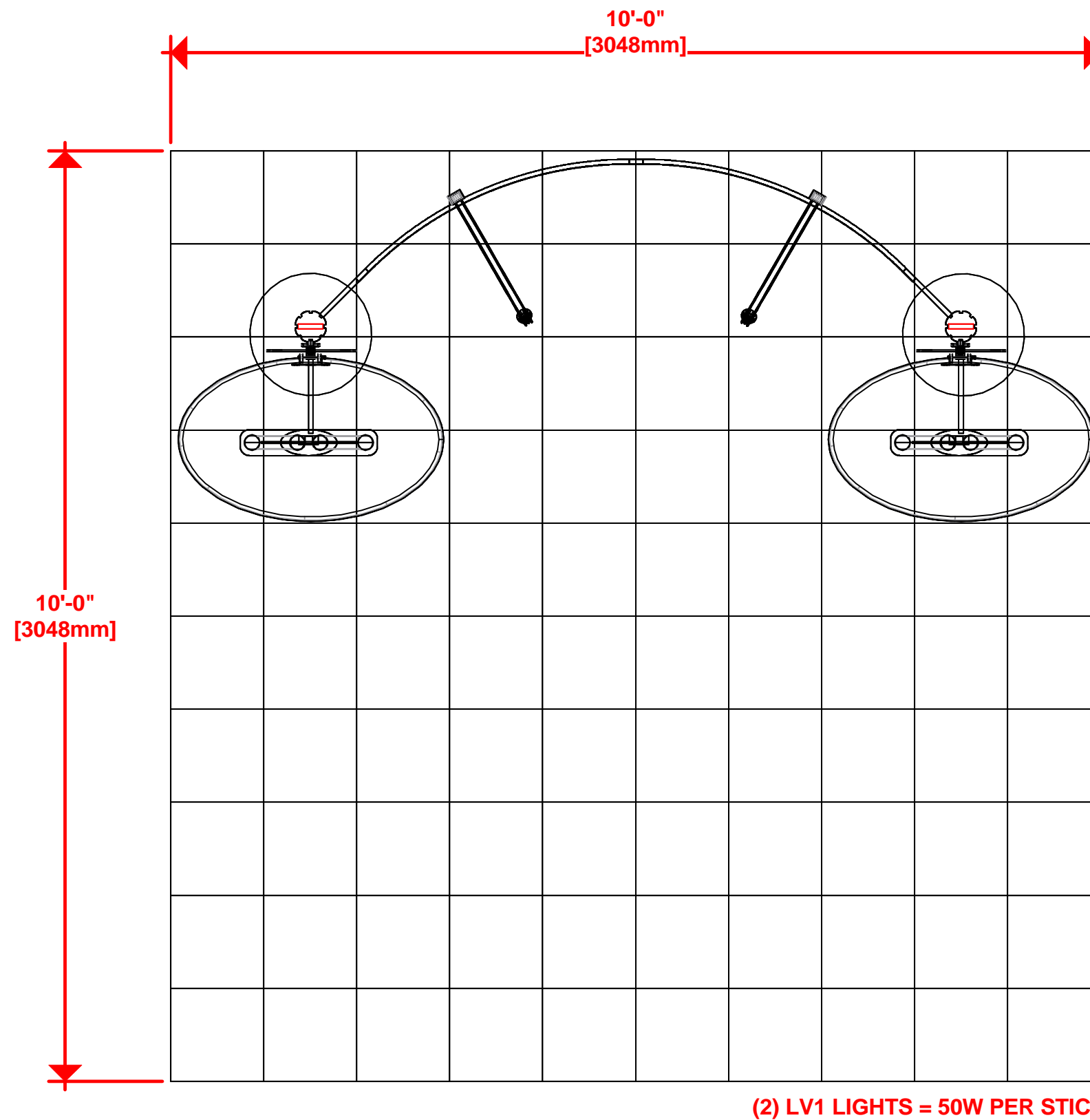


# SET-UP NOTES

1. Redesign of this exhibit without approval by ORIGIN may result in dangerous and unsafe structures. ORIGIN disclaims any responsibility for redesigned exhibits it does not approve in writing.
2. Parts and components such as panels and extrusions are manufactured to metric sizing. Where ever possible sizes have been noted in feet and inches as well as in metric. Below is the imperial to metric sizing table as reference. "Nominal" refers to approximate size.

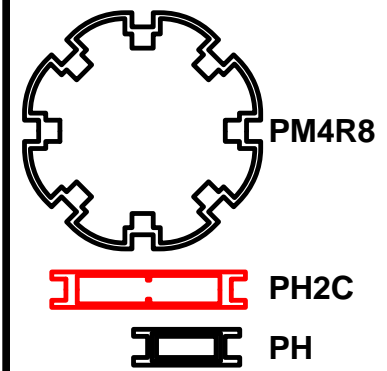
IMPERIAL TO METRIC SIZES	
8' Nominal	= 94 1/2" or 2400mm Actual
4' Nominal	= 47 1/4" or 1200mm Actual
3' Nominal	= 35 7/16" or 900mm Actual
2' Nominal	= 23 5/8" or 600mm Actual
1' Nominal	= 11 13/16" or 300mm Actual





**(2) LV1 LIGHTS = 50W PER STICK**

- 2400mm = (94 1/2")
  - 2100mm = (82 5/8")
  - 1800mm = (70 7/8")
  - 1500mm = (59")
  - 1200mm = (47 1/4")
  - 900mm = (35 1/2")
  - 600mm = (23 5/8")
  - 300mm = (11 7/8")
- ▼ Phone Line / Fax
  - ▼ Internet connection
  - Outlet
  - Main Drop (point of distrution)
- Wire running under carpet

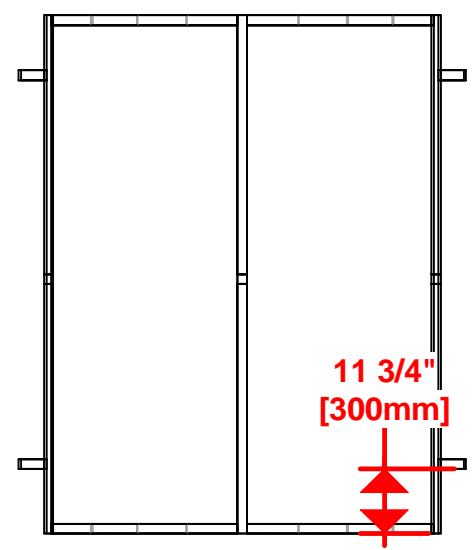
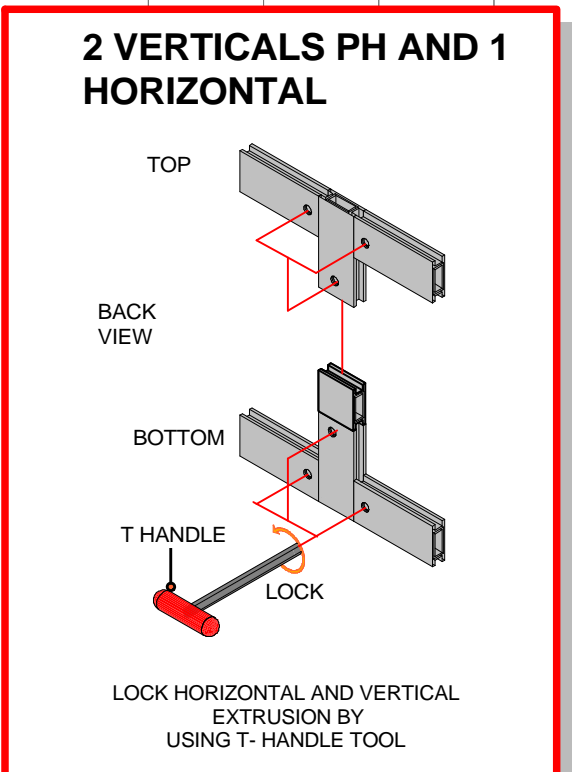
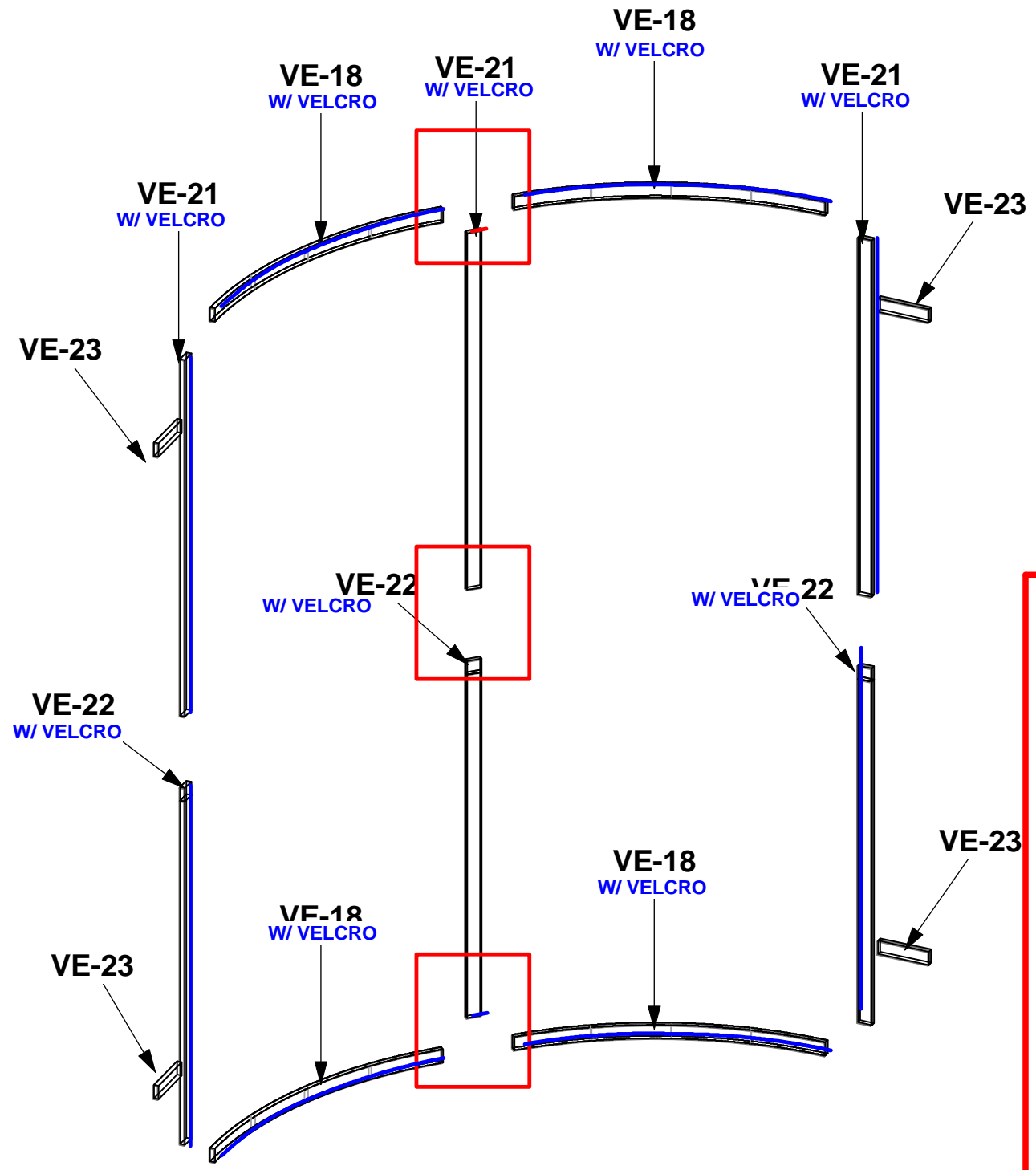
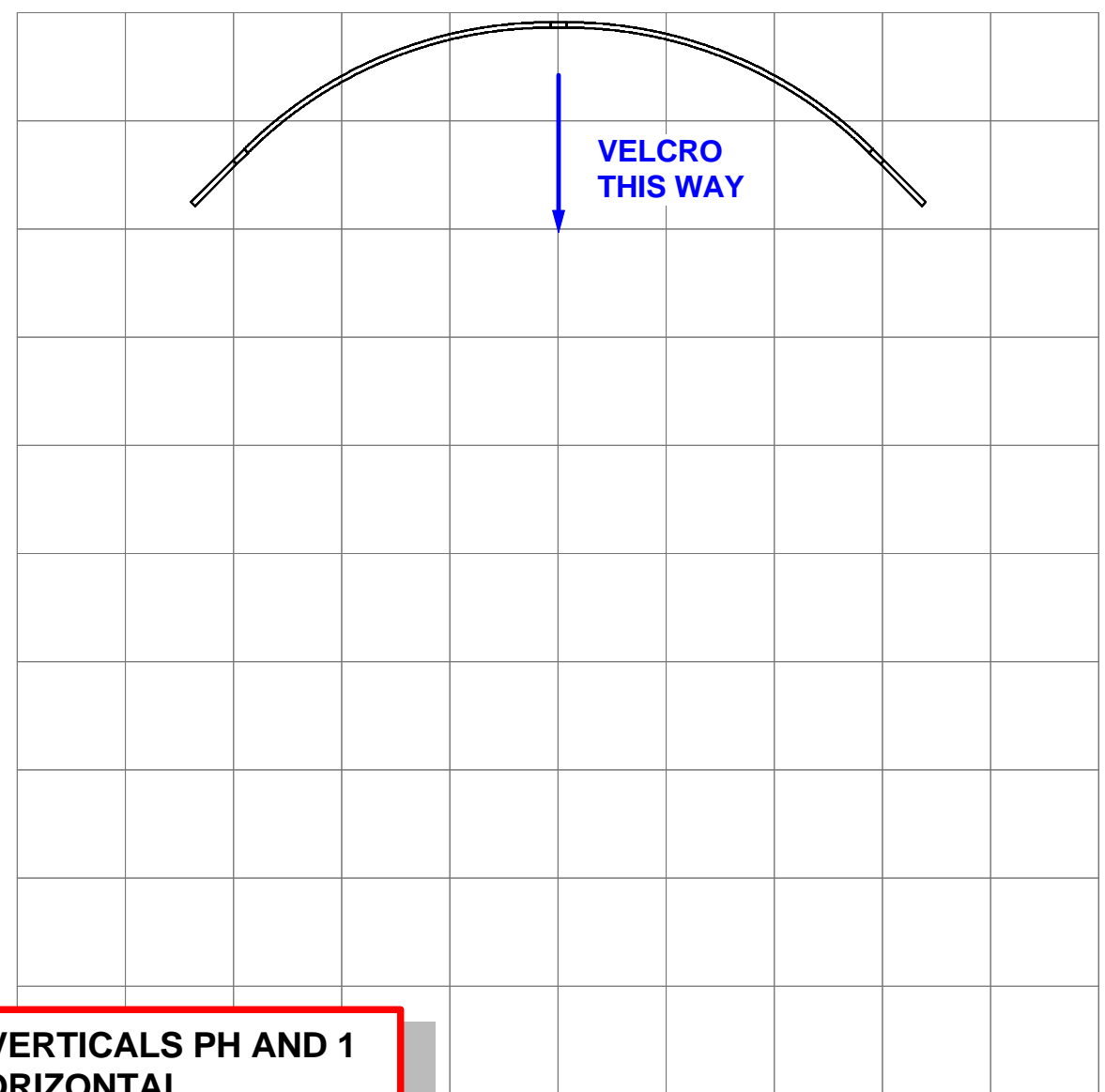


**LINEAR 31**

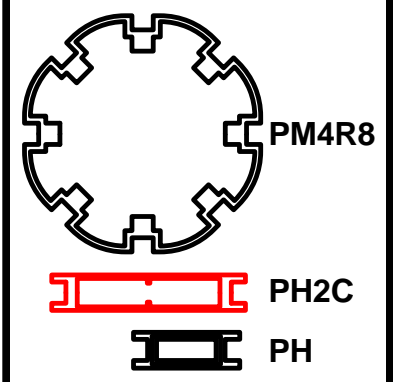
Title: SET-UP INSTRUCTIONS

EP

Code	#	Description
VE-23	4	160MM BACKWALL TO POST CONNECTOR PH WITH SLIDE LOCK AT BOTH END
VE-22	3	1155MM (45 1/2") PH WITH 45MM (1 3/4") PH AT ONE END
VE-21	3	1200MM (47 1/4") PH WITH SLIDE LOCK AT ONE END
VE-18	4	4RN RADIUS PH WITH SLIDE LOCK AT BOTH ENDS (IN)



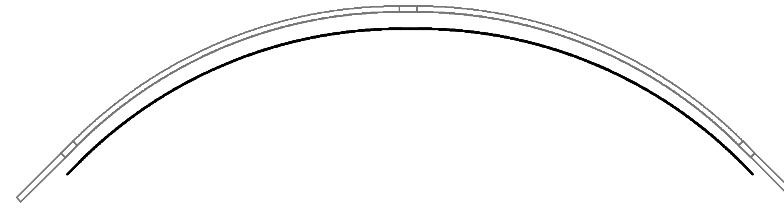
- 2400mm = (94 1/2")
  - 2100mm = (82 5/8")
  - 1800mm = (70 7/8")
  - 1500mm = (59")
  - 1200mm = (47 1/4")
  - 900mm = (35 1/2")
  - 600mm = (23 5/8")
  - 300mm = (11 7/8")
- ☐ Phone Line / Fax
  - ⚡ Internet connection
  - ⚡ Outlet
  - ⚡ Main Drop (point of distrution)
- Wire running under carpet



**LINEAR 31**

Title: SET-UP INSTRUCTIONS

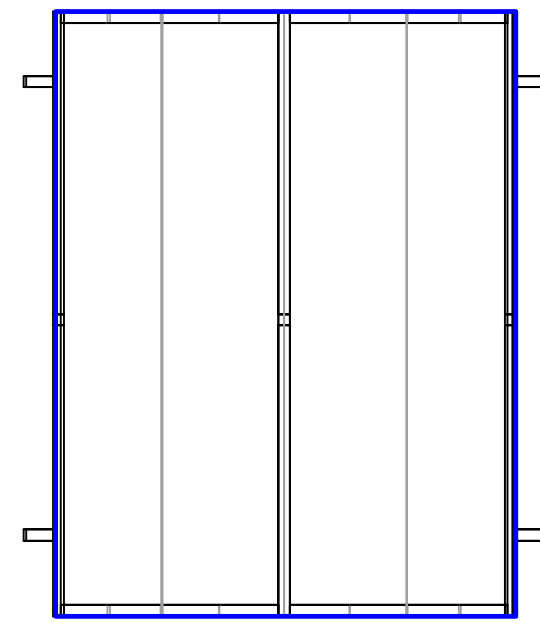
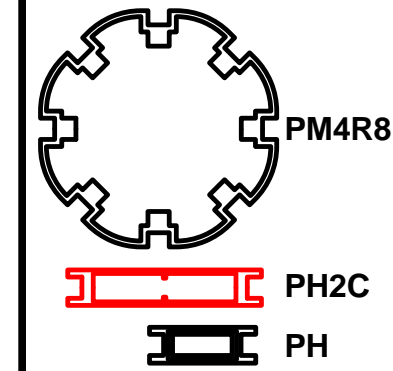
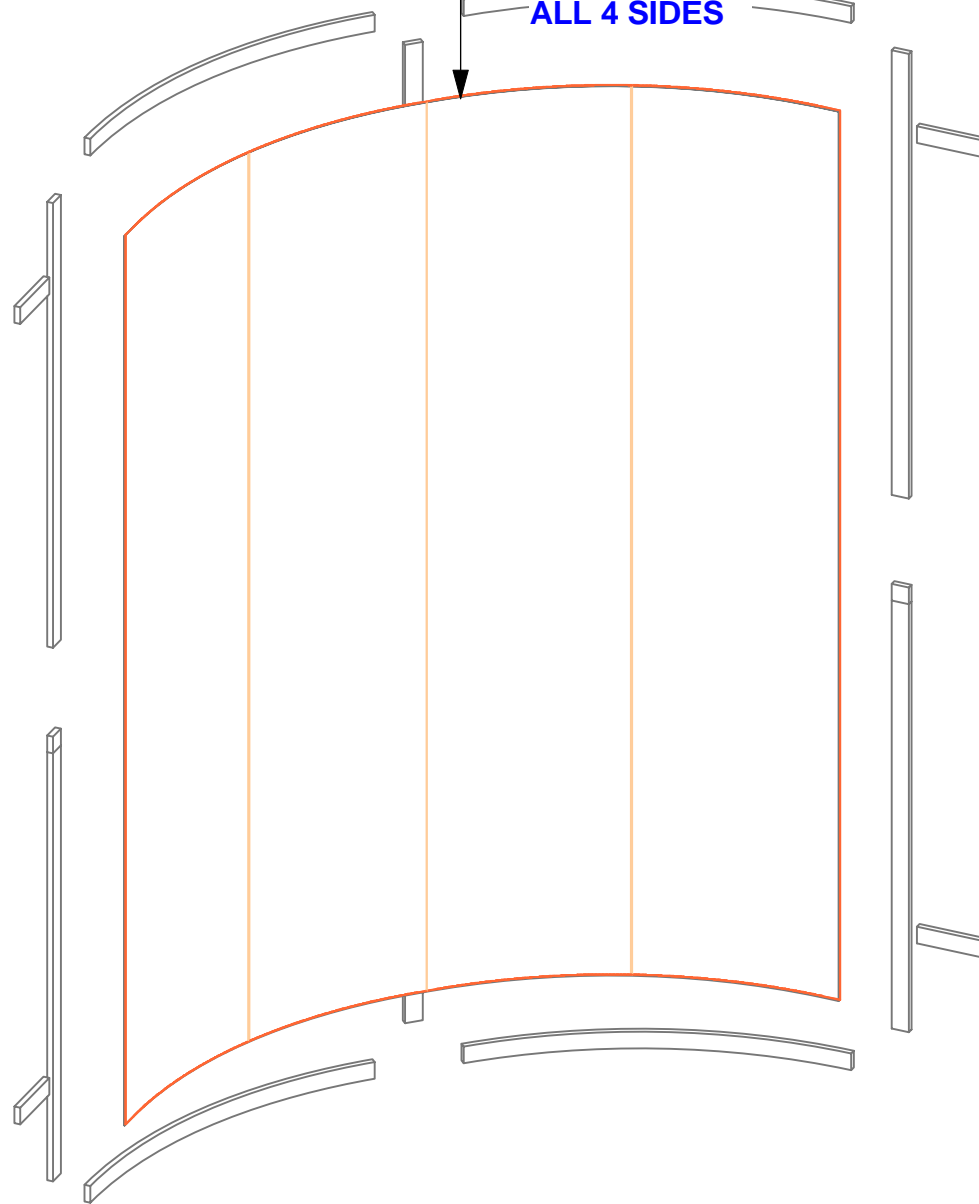
Code	#	Description
GRAPHIC A	1	94.5" X 79.25" DYESUB GRAPHIC WITH VELCRO O



- 2400mm = (94 1/2")
  - 2100mm = (82 5/8")
  - 1800mm = (70 7/8")
  - 1500mm = (59")
  - 1200mm = (47 1/4")
  - 900mm = (35 1/2")
  - 600mm = (23 5/8")
  - 300mm = (11 7/8")
- Phone Line / Fax
  - Internet connection
  - Outlet
  - Main Drop (point of distrution)

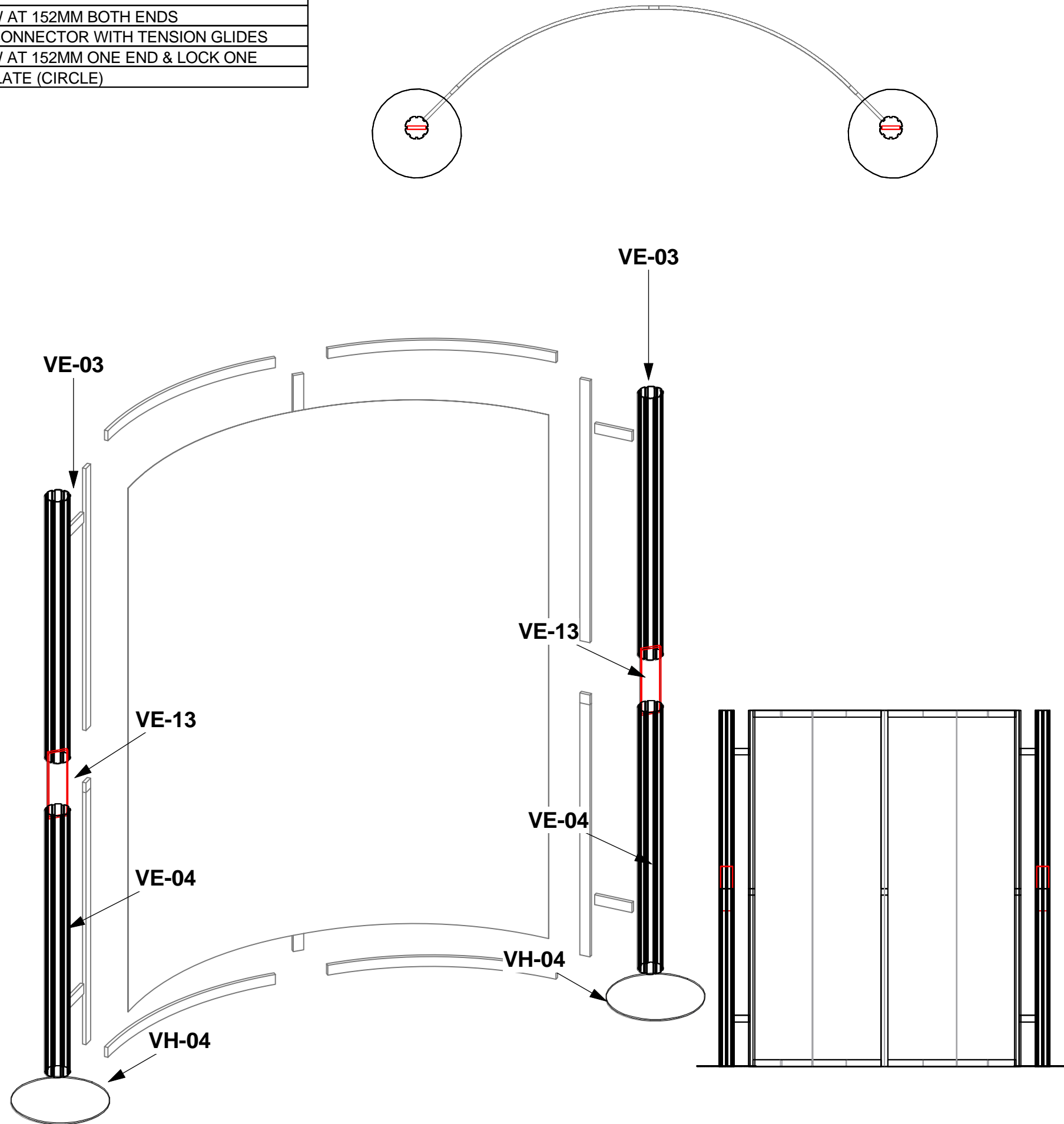
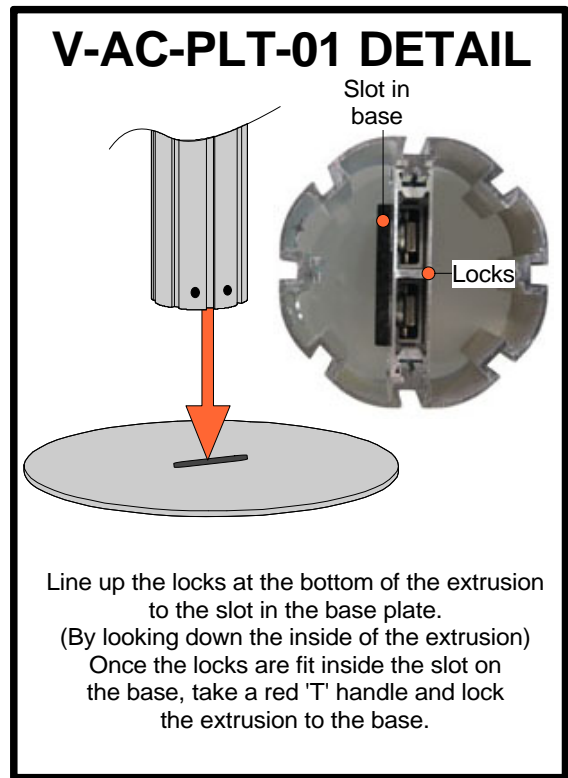
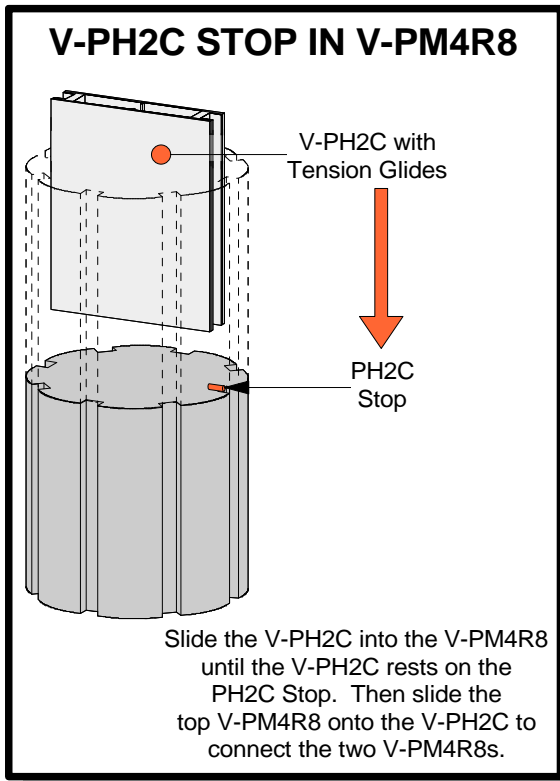
--- Wire running under carpet

**GRAPHIC A**  
**VELCRO**  
**ON THE BACK**  
**ALL 4 SIDES**

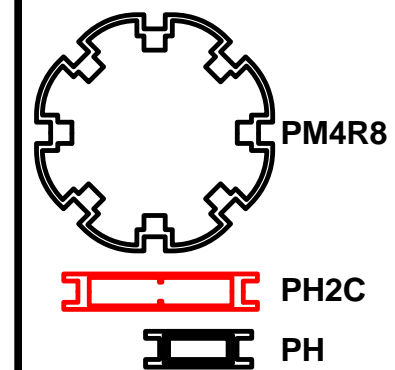


**LINEAR 31**  
 Title: SET-UP INSTRUCTIONS

Code	#	Description
VE-03	2	PM4R8-1200 (47 1/4") WITH SET SCREW AT 152MM BOTH ENDS
VE-13	2	PH2C 300MM[113/4"] VERTICAL POST CONNECTOR WITH TENSION GLIDES
VE-04	2	PM4R8-1200 (47 1/4") WITH SET SCREW AT 152MM ONE END & LOCK ONE
VH-04	2	400MM DIAMETER FLAT PACK BASE PLATE (CIRCLE)



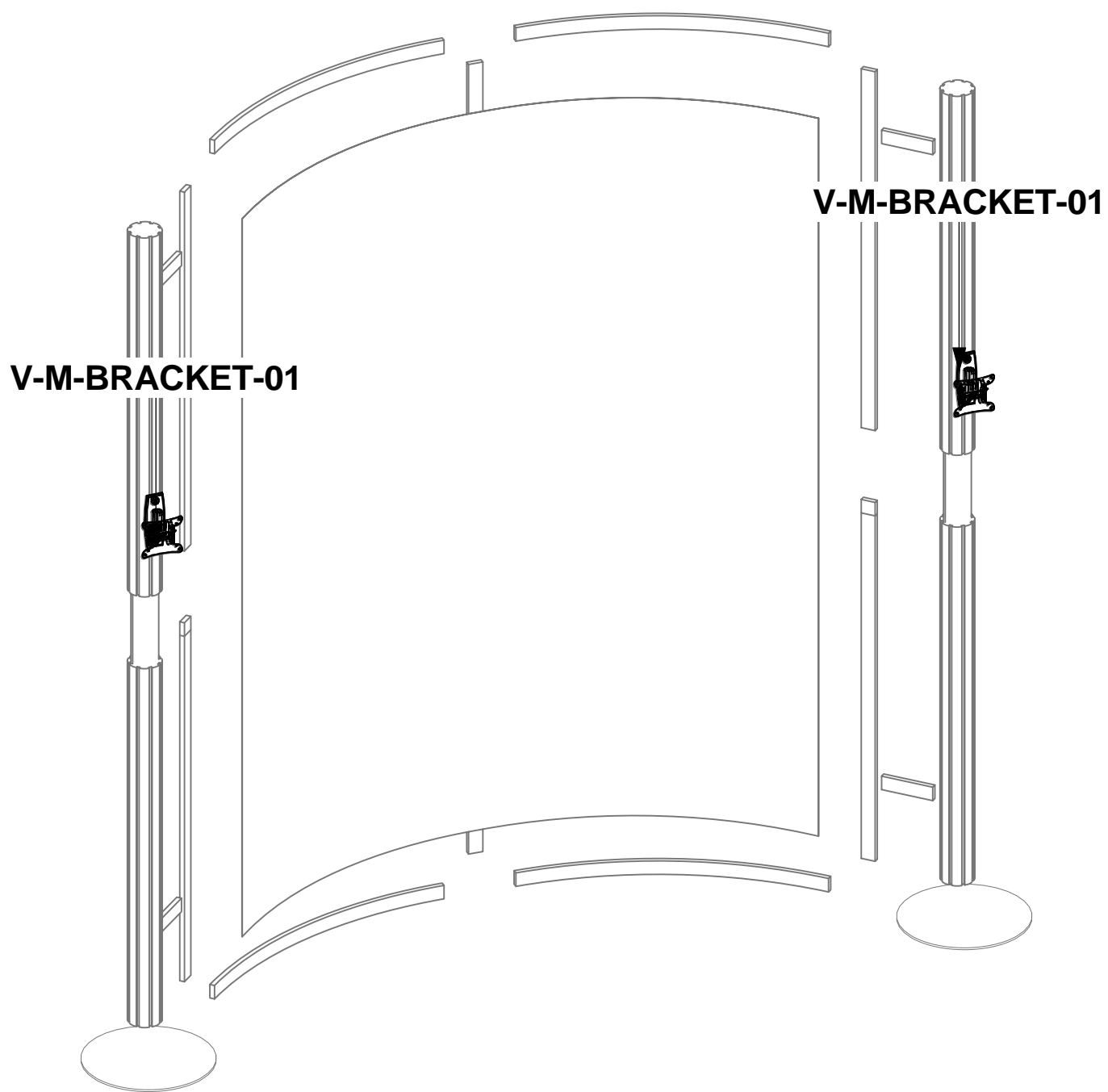
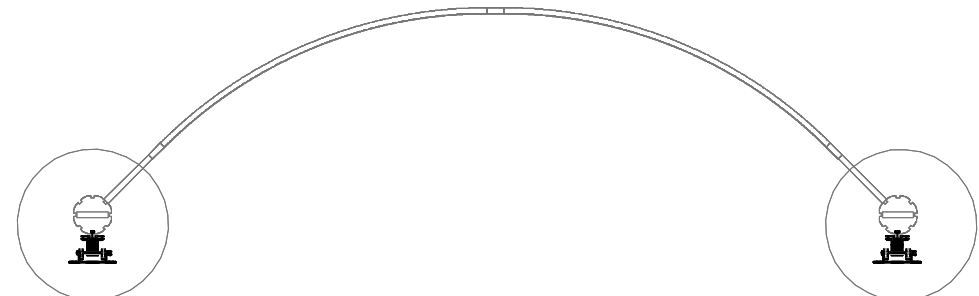
- 2400mm = (94 1/2")
  - 2100mm = (82 5/8")
  - 1800mm = (70 7/8")
  - 1500mm = (59")
  - 1200mm = (47 1/4")
  - 900mm = (35 1/2")
  - 600mm = (23 5/8")
  - 300mm = (11 7/8")
- Phone Line / Fax
  - Internet connection
  - Outlet
  - Main Drop (point of distrution)
- Wire running under carpet



LINEAR 31

Title: SET-UP INSTRUCTIONS

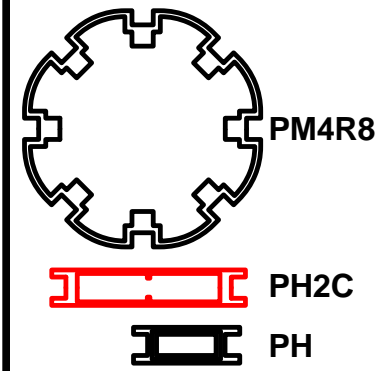
Code	#	Description
V-M-BRACKET-01	2	VM1 MONITOR BRACKET



- 2400mm = (94 1/2")
  - 2100mm = (82 5/8")
  - 1800mm = (70 7/8")
  - 1500mm = (59")
  - 1200mm = (47 1/4")
  - 900mm = (35 1/2")
  - 600mm = (23 5/8")
  - 300mm = (11 7/8")
- Phone Line / Fax
  - Internet connection
  - Outlet
  - Main Drop (point of distrution)
- Wire running under carpet

### Monitor Mount Detail

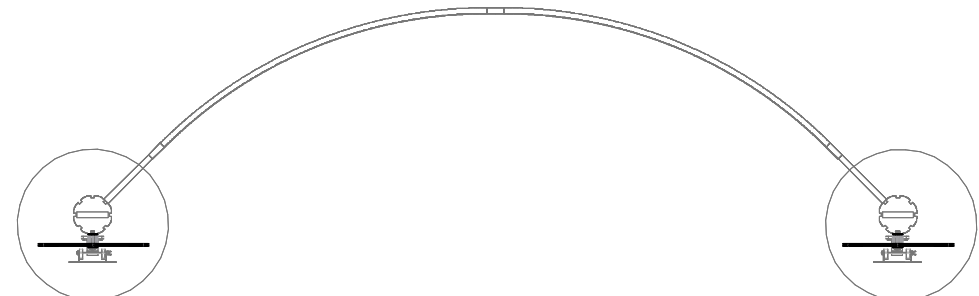
Slide the square bolts into the channel of the PM4S3.  
Once the monitor mount is at the desired position  
turn the wing nuts clockwise to secure the monitor  
mount to the extrusion.



**LINEAR 31**

Title: SET-UP INSTRUCTIONS

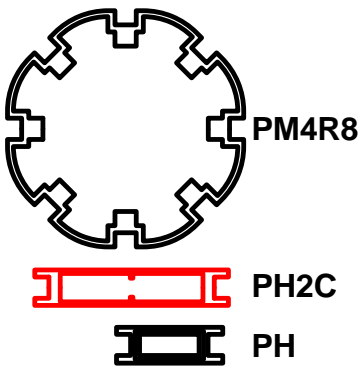
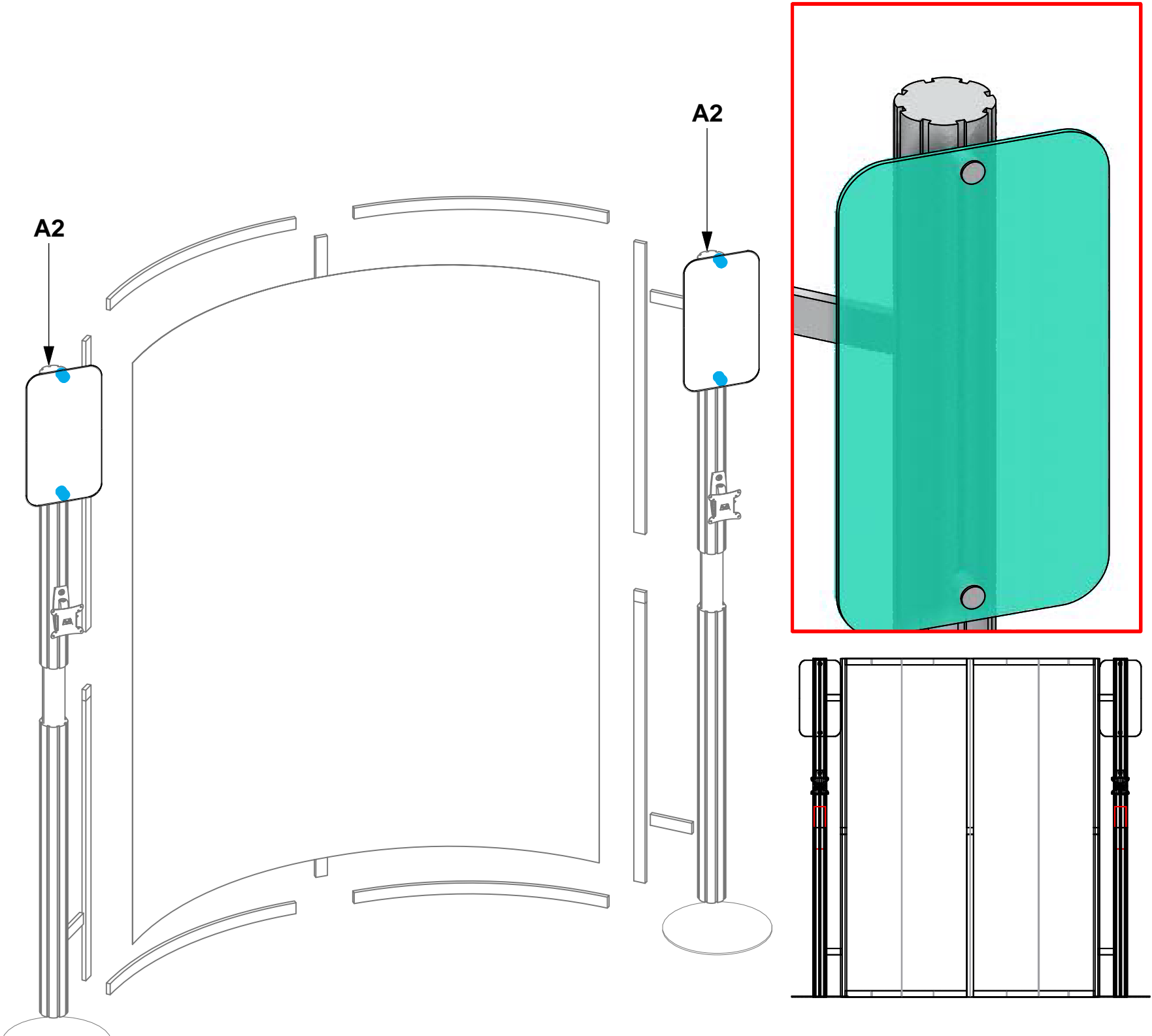
Code	#	Description
V-CKSO	4	25.4MM (1") DIAMETER X 25.4MM (1") STAND OFF
V-SN-R-01	2	292MM X 542MM (11 1/2" X 21 11/32") RECTANGLE SHAPED SINTRA/FOA
A2	2	292MM X 542MM (11 1/2" X 21 11/32") RECTANGLE DSG GRAPHIC &V-CK



- 2400mm = (94 1/2")
  - 2100mm = (82 5/8")
  - 1800mm = (70 7/8")
  - 1500mm = (59")
  - 1200mm = (47 1/4")
  - 900mm = (35 1/2")
  - 600mm = (23 5/8")
  - 300mm = (11 7/8")
- Phone Line / Fax
  - Internet connection
  - Outlet
  - Main Drop (point of distribution)
- Wire running under carpet

### V-CKSO DETAIL

Screw the NT toggle into the base of the V-CKSO barrel and then insert the NT toggle into the channel of the extrusion where the locator dot is and twist to tighten into place. Next, place the top of the V-CKSO through the hole in the graphic and then screw on the V-CKSO top to secure the graphic in place.

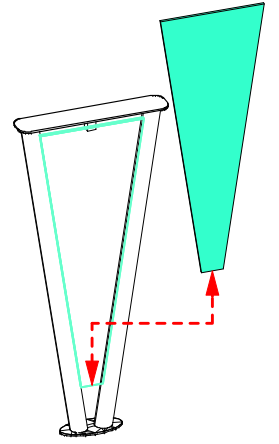
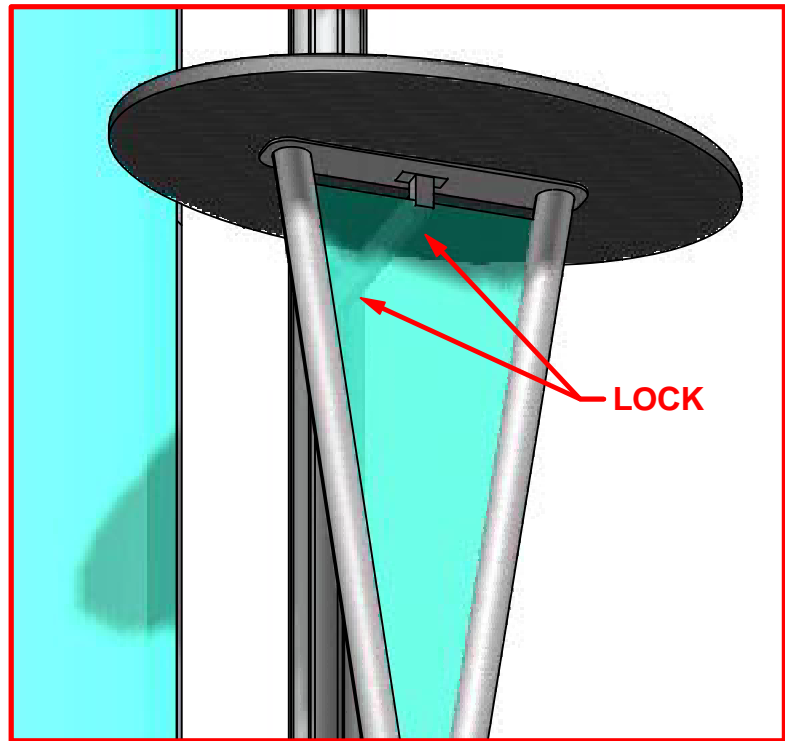


LINEAR 31

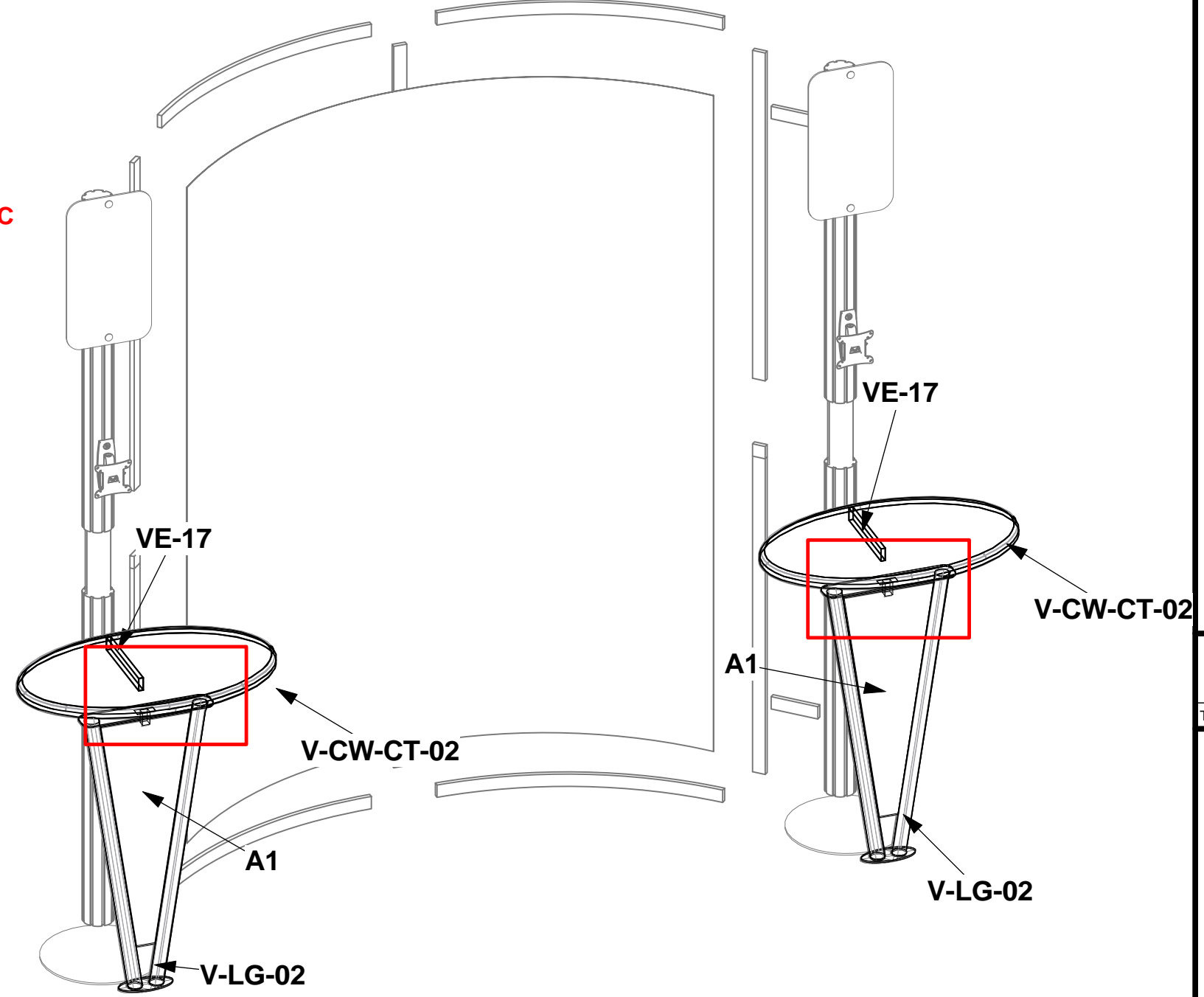
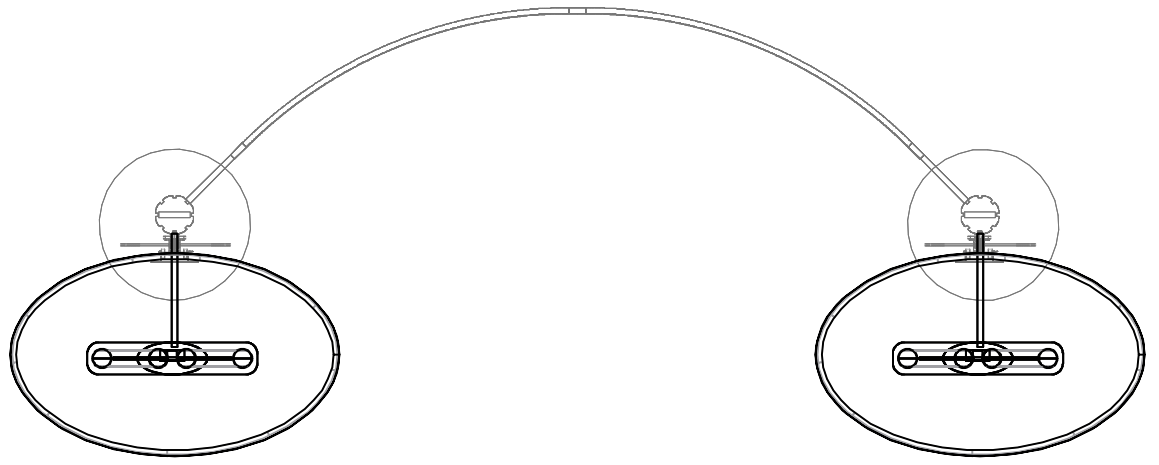
Title: SET-UP INSTRUCTIONS



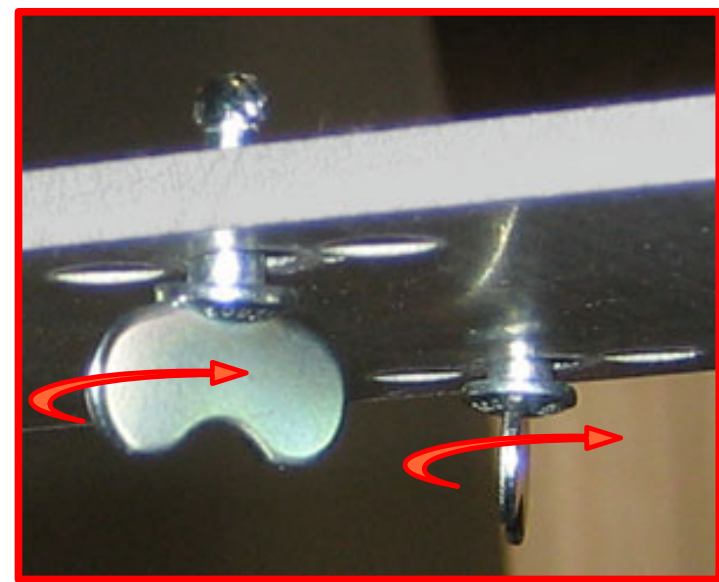
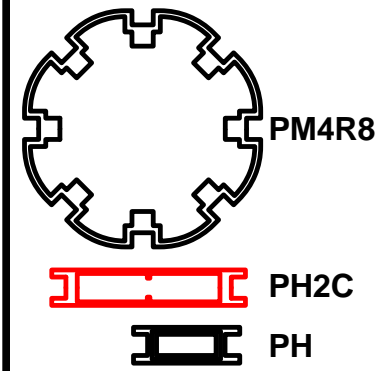
Code	#	Description
VE-17	2	300MM (11 13/16") PH WITH SLIDE LOCK AT BOTH ENDS
V-CW-CT-02	2	870MM X 538MM (34 1/4" X 21 3/16") HYBRID OVAL TOP
V-MOD-LEG-2	2	
V-LG-02	2	1005MM X 450MM (39 9/16" X 17 23/32") V LEG 50MM CHANNEL TUBE
A1	2	825MM X 311MM (32 1/2" X 12 1/4") V LEG DSG GRAPHIC



**INSERT  
DSG GRAPHIC  
BEFORE  
ATTACHING  
V LEG**



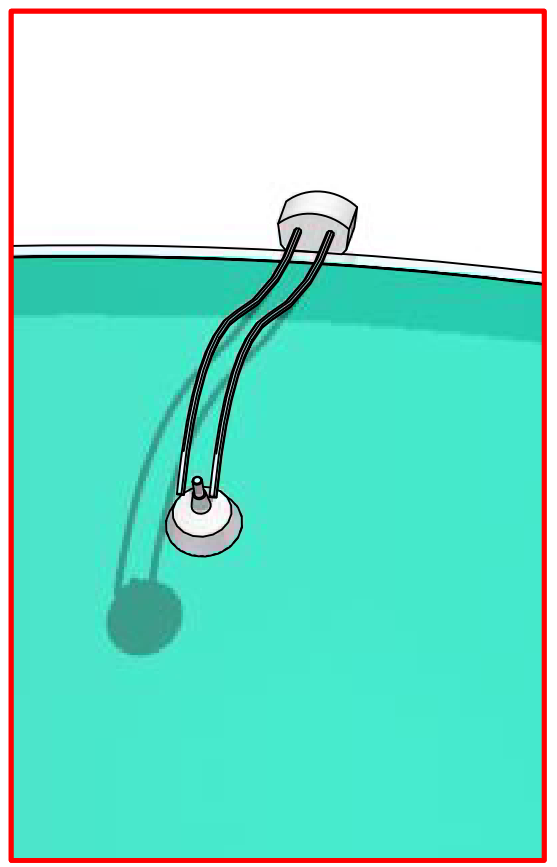
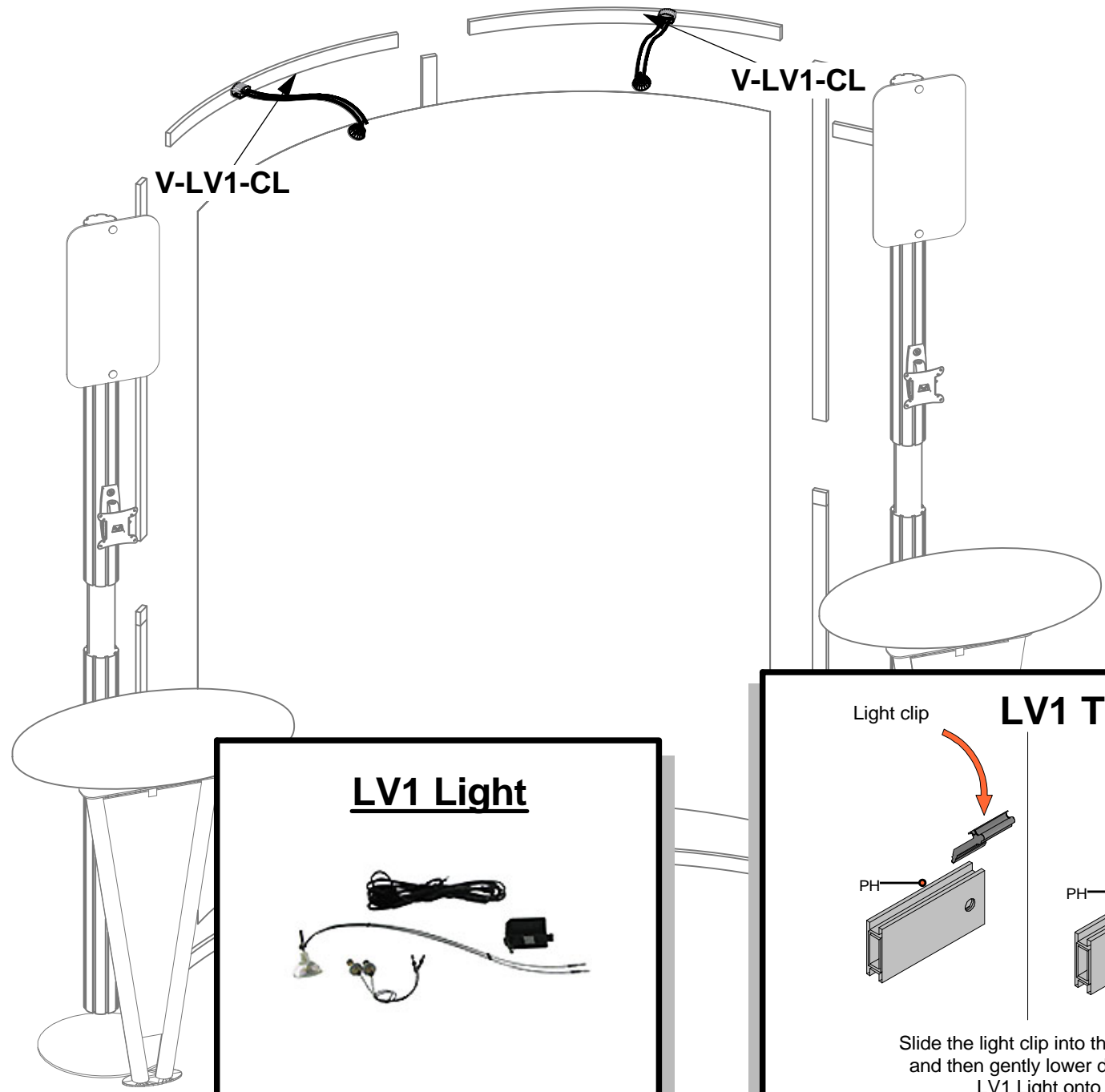
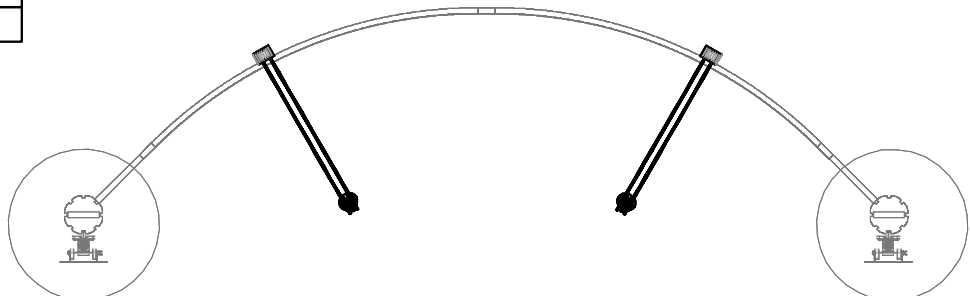
- 2400mm = (94 1/2")
  - 2100mm = (82 5/8")
  - 1800mm = (70 7/8")
  - 1500mm = (59")
  - 1200mm = (47 1/4")
  - 900mm = (35 1/2")
  - 600mm = (23 5/8")
  - 300mm = (11 7/8")
- Phone Line / Fax
  - Internet connection
  - Outlet
  - Main Drop (point of distrution)
- Wire running under carpet



Insert the thumb connector into the bottom of the counter top and make a 1/4 turn clockwise to tighten in place.

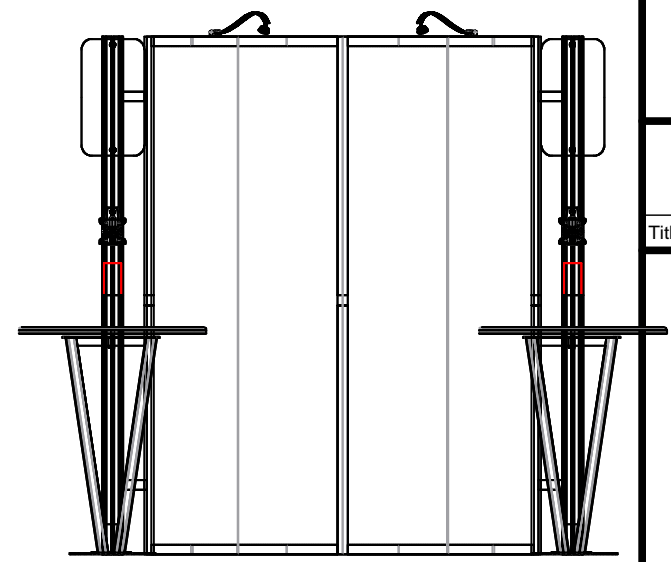
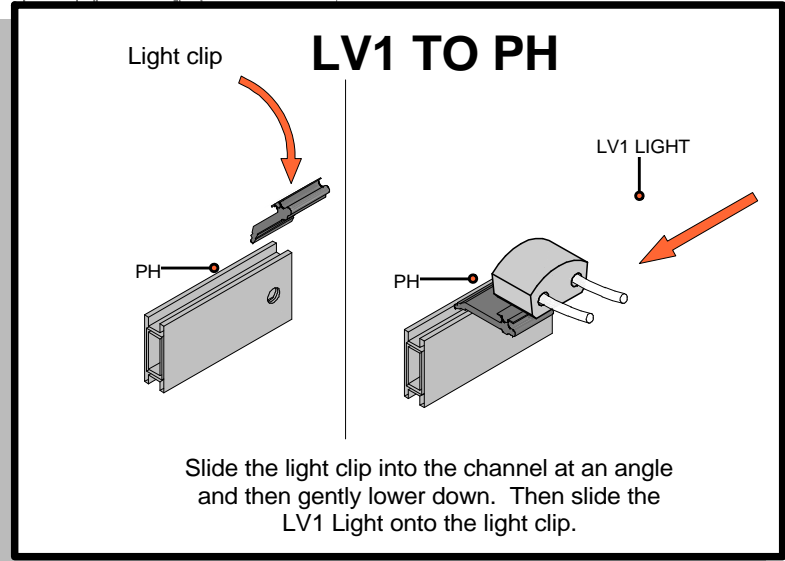
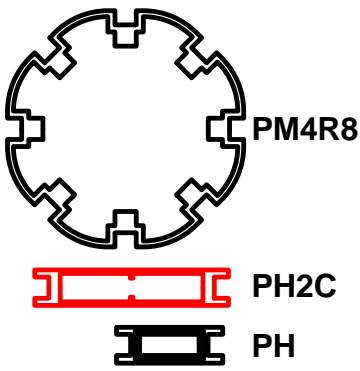
**LINEAR 31**  
Title: SET-UP INSTRUCTIONS

Code	#	Description
V-LV1-CL	2	LV1 WITH UNIVERSAL CLIP



- 2400mm = (94 1/2")
  - 2100mm = (82 5/8")
  - 1800mm = (70 7/8")
  - 1500mm = (59")
  - 1200mm = (47 1/4")
  - 900mm = (35 1/2")
  - 600mm = (23 5/8")
  - 300mm = (11 7/8")
- ▼ Phone Line / Fax
  - ▼ Internet connection
  - Outlet
  - Main Drop (point of distrution)

--- Wire running under carpet



**LINEAR 31**  
Title: SET-UP INSTRUCTIONS