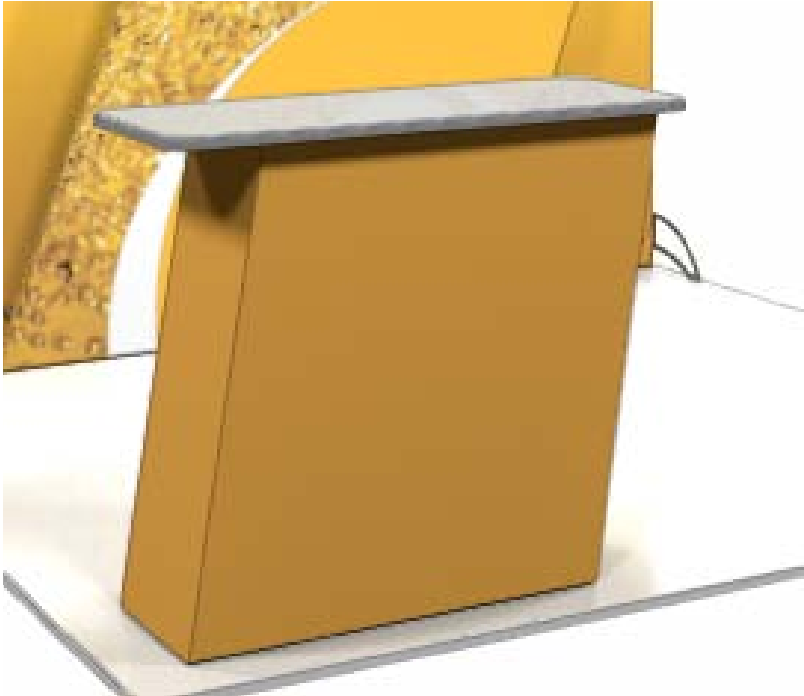


Vibe Counter 03

VB-03

The vibe counter 03 is an excellent addition to a variety of backwall displays and exhibits. Use this sturdy, stand alone counter in a variety of situations to display your products and literature as well as house items inside two locking doors.



features and benefits:

- Locking doors
- Choose from four tabletop finishes and four laminate base colors
- Easy step-by-step instructions
- Lifetime warranty on hardware against manufacturer defects

dimensions:

Hardware

Counter dimensions: 64" w x 40" h x 20" d
1625.6mm(w) x 1016mm(h) x 508mm(d)

Shipping

Shipping dimensions - ships in 1 cases
OCH2 case:
52" l x 30" w x 15" h
1320.8mm(l) x 762mm(w) x 381mm(h)

Approximate shipping weight (entire kit):
120 lbs/54.4 kg

additional information:

Counter holds max weight 100 lbs/45.4 kg

Tabletop color options:

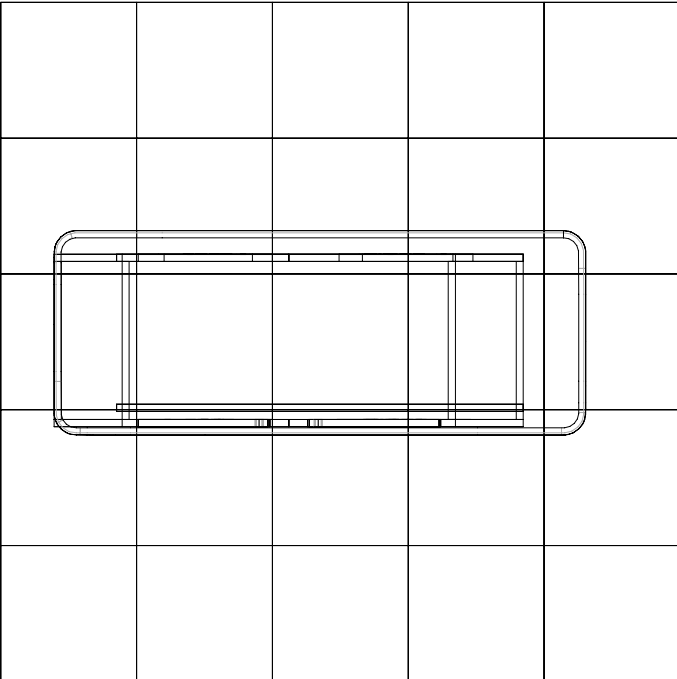
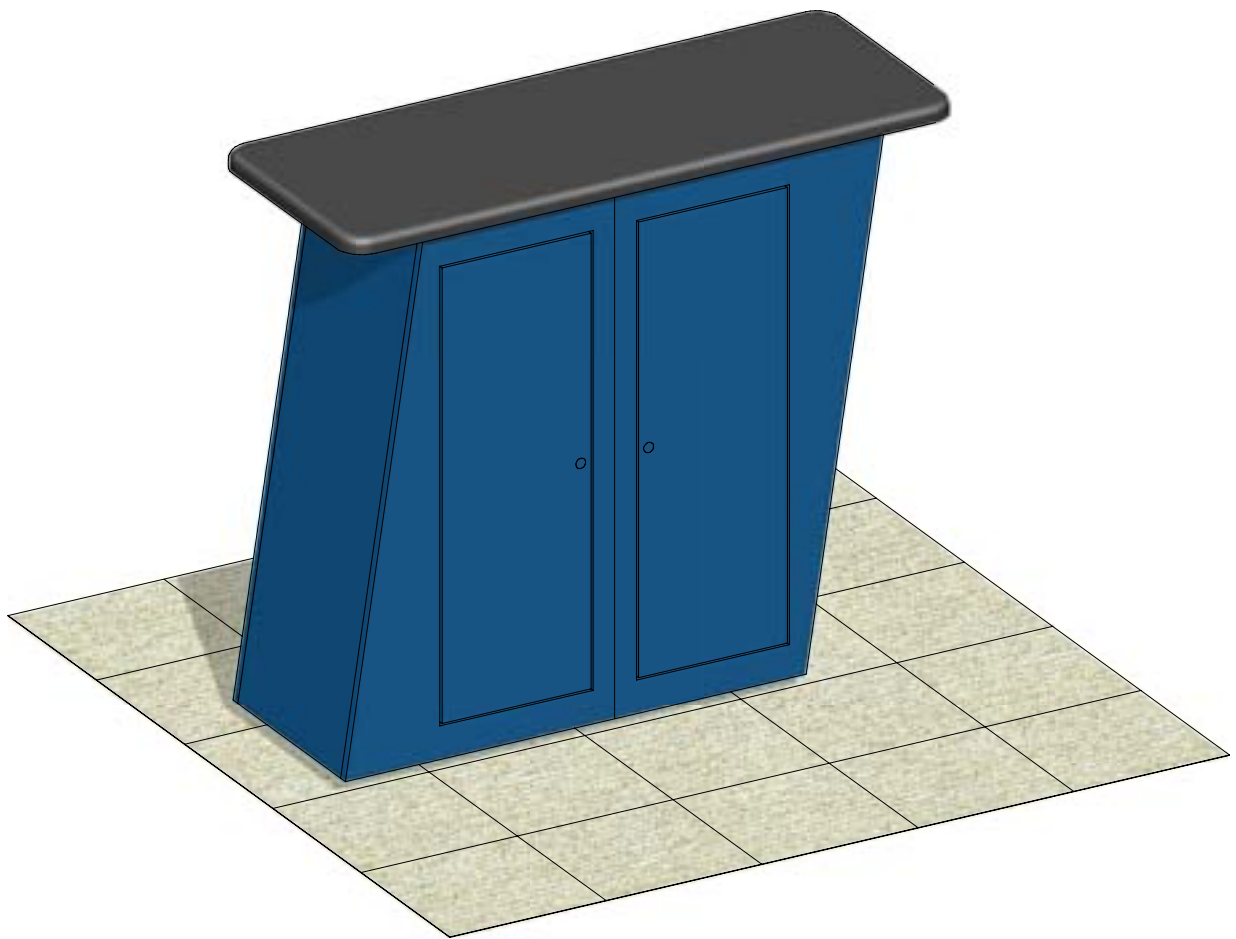


Counter color options:



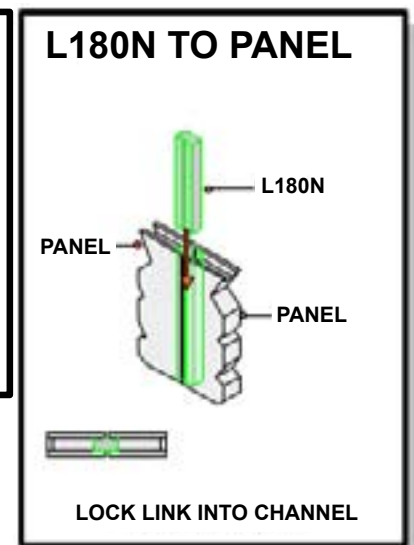
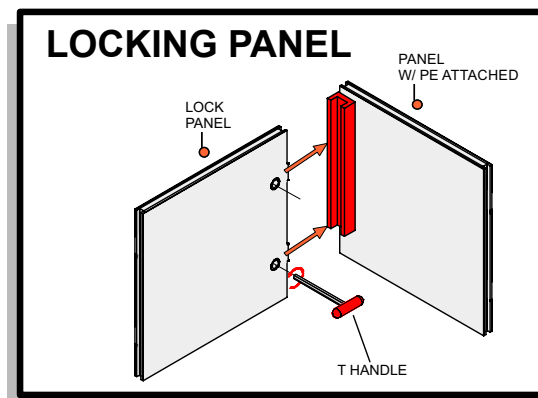
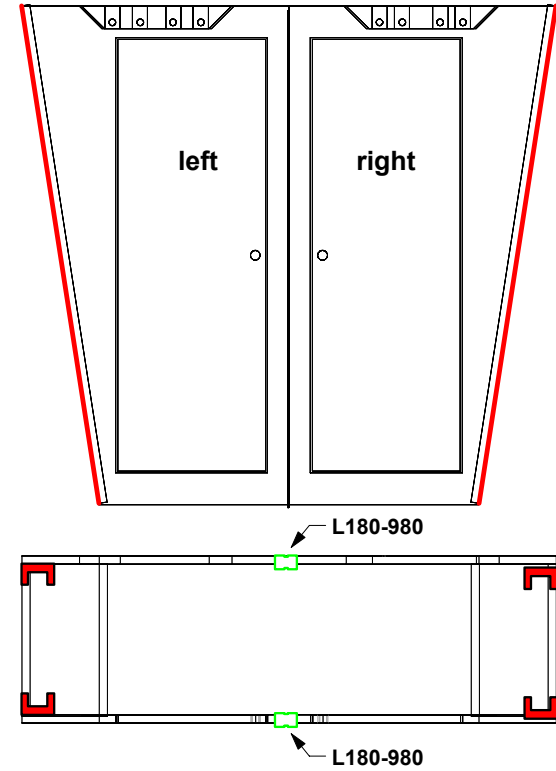
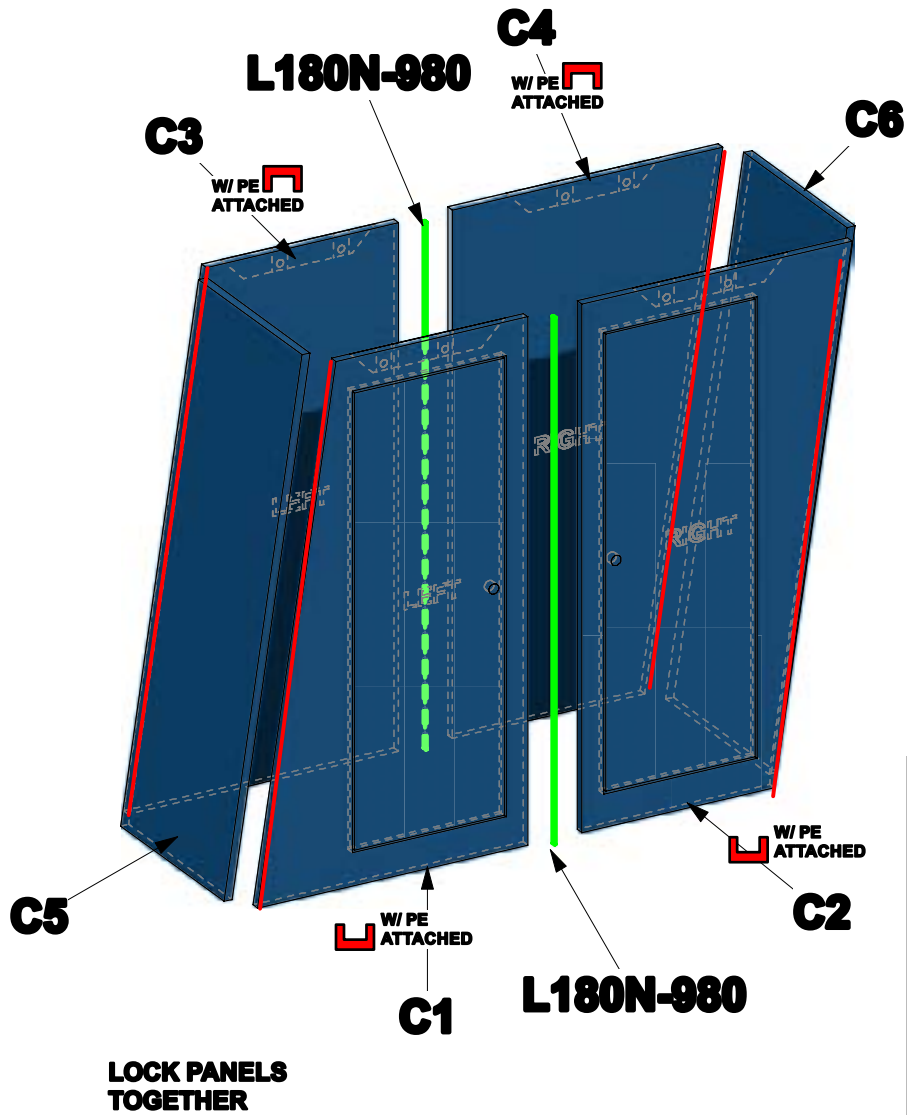
We are continually improving and modifying our product range and reserve the right to vary the specifications without prior notice. All dimensions and weights quoted are approximate and we accept no responsibility for variance. E&OE. See Graphic Templates for graphic bleed specifications.

Parts included	
Part Label	Qty
C1	x1
C2	x1
C3	x1
C4	x1
C5	x1
C6	x1
C7	x1
L180N-980	x2



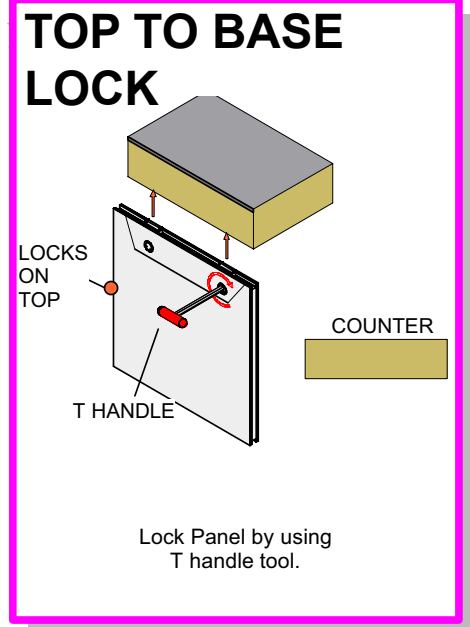
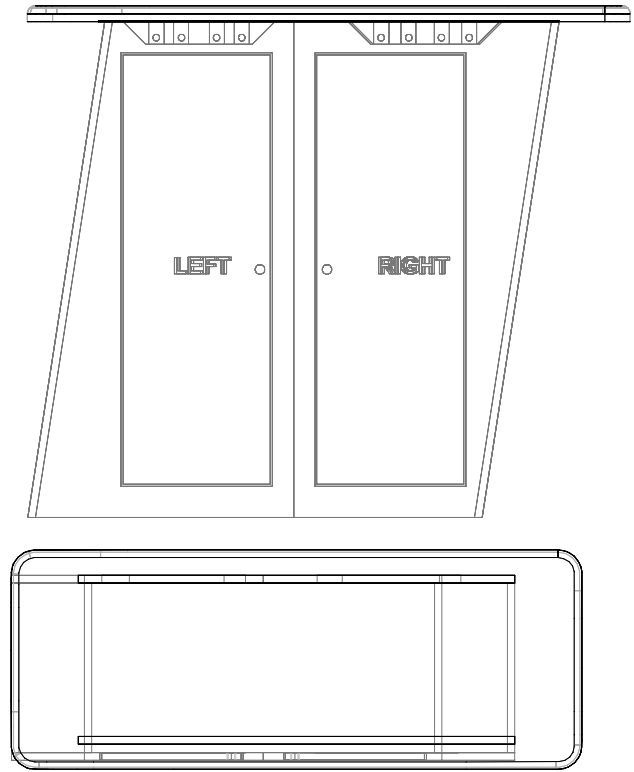
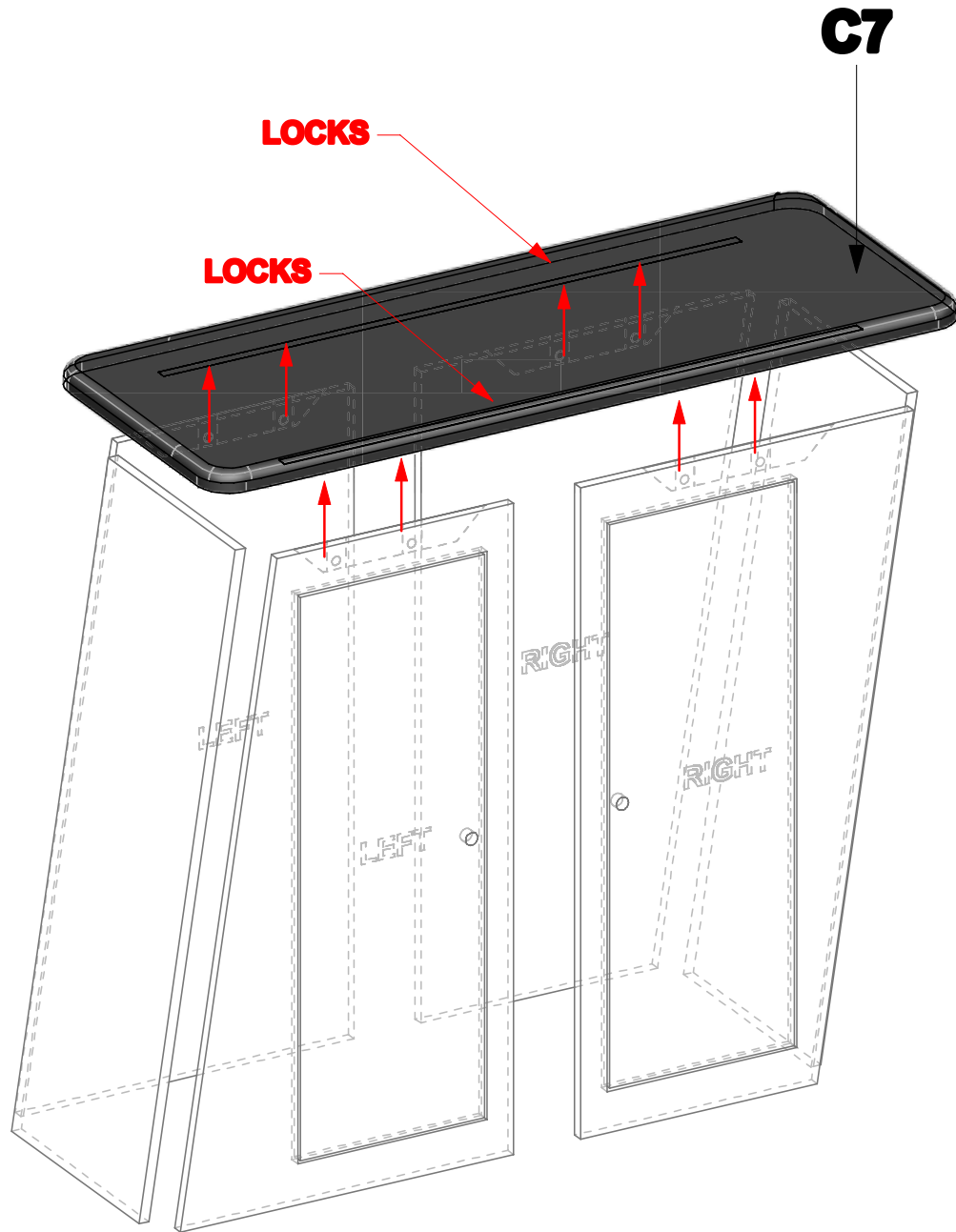
Step 1.

Lock C5 into the PE on C3 and C1 using the detail below. Lock C6 into the PE on C4 and C2 using the detail below. Push both completed halves of the counter together and secure by sliding the L180Ns into the channels as shown in detail below.



Step 2.

Place C7 top onto base. Open the doors and lock top to base using detail below.



Check out these related products:



Vibe Counter 01



Vibe Counter 02



Vibe Counter 03



Vibe Monitor Stand
