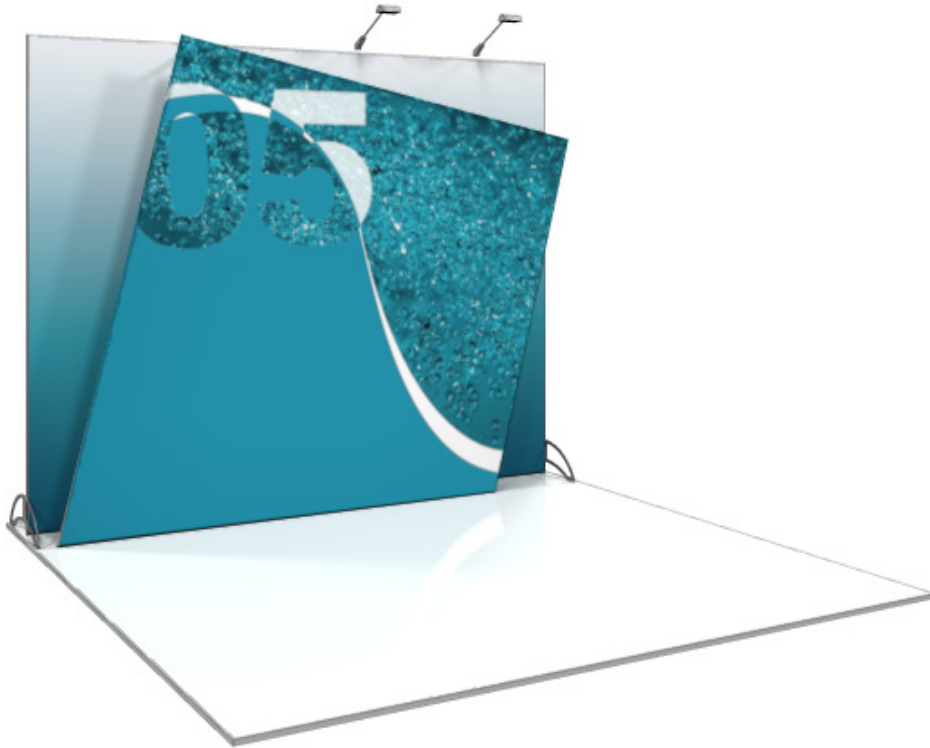


Vibe Kit 05

VBK-5

Vibe is a collection of cleverly-designed state-of-the-art 10' exhibit booths. Vibe combines light-weight aluminum structures with pillowcase dye-sublimated printed fabric graphics for a truly unique appearance and experience. Vibe is efficient, easy to assemble and disassemble and offers remarkable style options and choices.



features and benefits:

- State-of-the-art snap button aluminum structure
- Frame constructed of 30mm lightweight aluminum tube
- High-quality dye-sublimated zipper pillowcase graphics
- Easy step-by-step instructions
- Kit includes two frames, two fabric pillowcase graphics, two wheeled molded cases, and two 120 watt floodlights
- Lifetime warranty on hardware against manufacturer defects

dimensions:

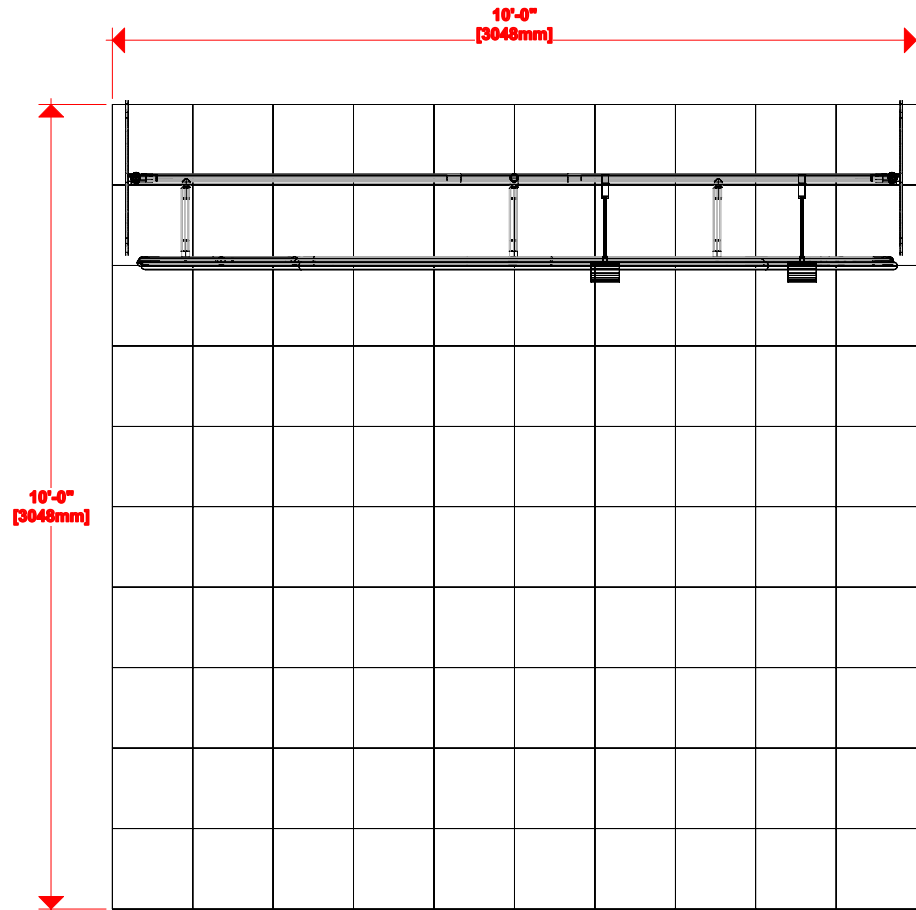
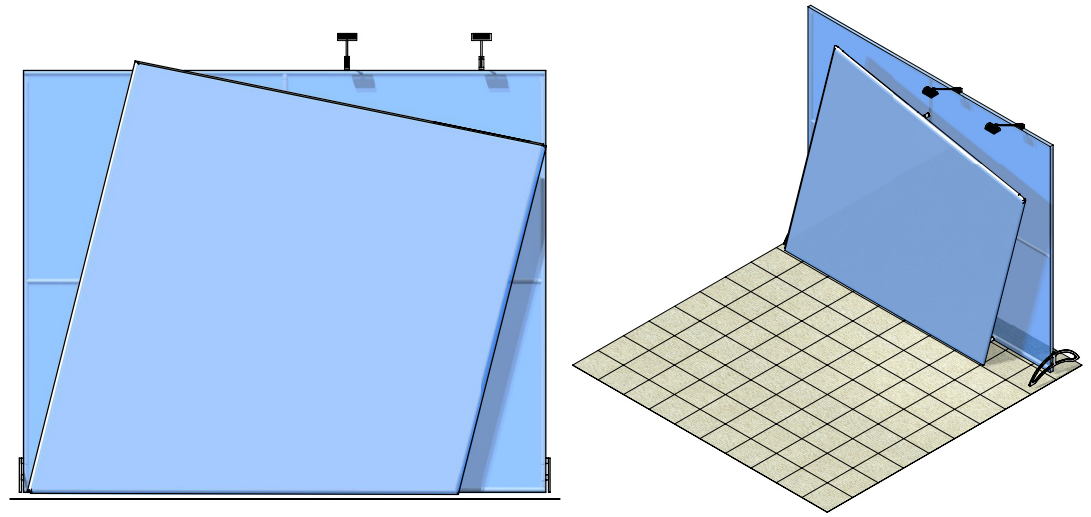
Hardware	Graphic
<p>Assembled unit: 117.5"w x 96"h x 27"d 2984.5mm(w) x 2438.4mm(h) x 685.8mm(d)</p>	<p>Foreground: Total visible area: 112.5"w x 94.25"h 2857.5mm(w) x 2393.95mm(h)</p> <p>Background: Total visible area: 114"w x 92"h 2895.6mm(w) x 2336.8mm(h)</p> <p>Refer to related graphic templates for more information</p>
<p>Shipping</p> <p>Shipping dimensions - ships in 2 cases Two OCL cases, each: 19"l x 19"w x 56"h 482.6mm(l) x 482.6mm(w) x 1422.4mm(h)</p> <p>Approximate shipping weight (entire kit): 110 lbs/49.88 kg</p>	

additional information:

- | | |
|---|---|
| <p>Graphic materials:
Dye-sublimated fabric</p> | <p>Lights included: Lumina 200 120 watt floodlight, curved arm, black finish, 19.5" from end to end</p> |
|---|---|

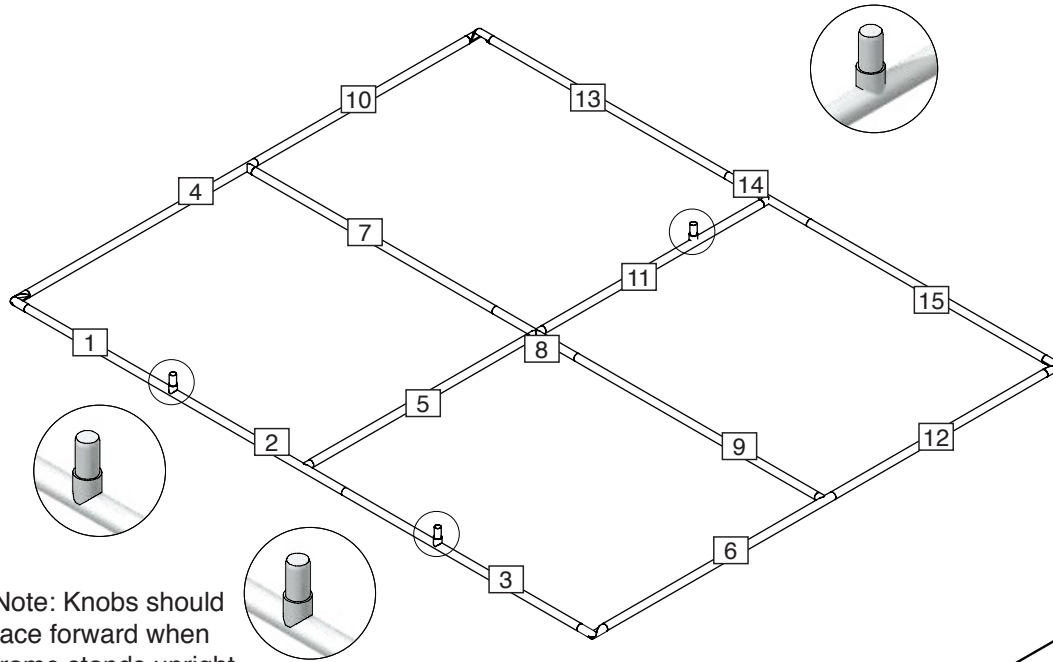
We are continually improving and modifying our product range and reserve the right to vary the specifications without prior notice. All dimensions and weights quoted are approximate and we accept no responsibility for variance. E&OE. See Graphic Templates for graphic bleed specifications.

Parts included			
Part Label	Qty	Part Label	Qty
1	x1	B11	x1
2	x1	B12	x1
3	x1	B13	x1
4	x1	B14	x1
5	x1	B15	X1
6	x1	B16	X1
7	x1	Feet	x2
8	x1	Lights	x2
9	x1	Background graphic	x1
10	x1	Foreground graphic	x1
11	x1		
12	x1	Tool	x1
13	x1		
14	x1		
15	x1		
B1	x1		
B2	x1		
B3	x1		
B4	x1		
B5	x1		
B6	x1		
B7	x1		
B8	x1		
B9	x1		
B10	x1		

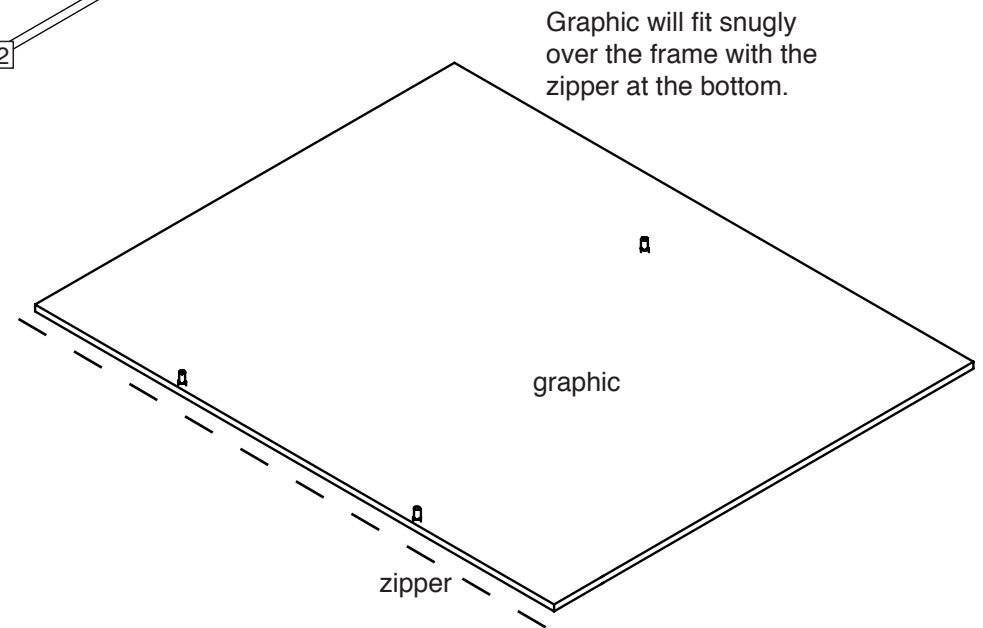
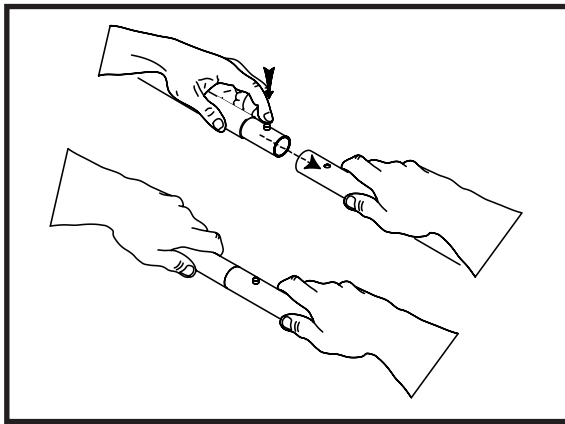


Step 1. Assemble background frame

Lay pieces out flat and assemble in numerical order as shown. Numbers will be on the back side of the tube. When frame is complete, stretch background graphic over the frame starting at the top. Pull tightly all the way down assuring holes in graphic align with knobs on frame and secure with zipper.

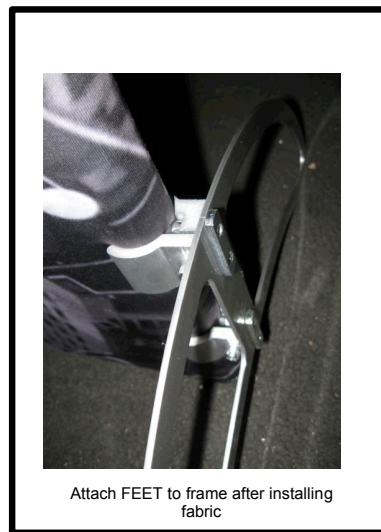
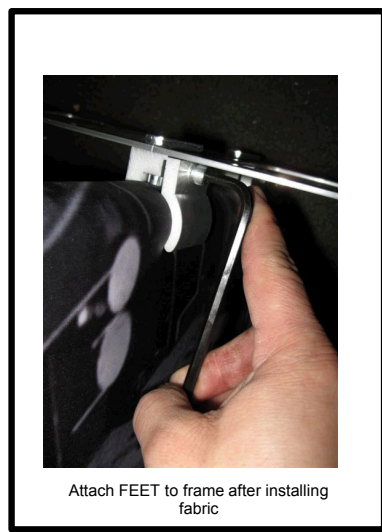
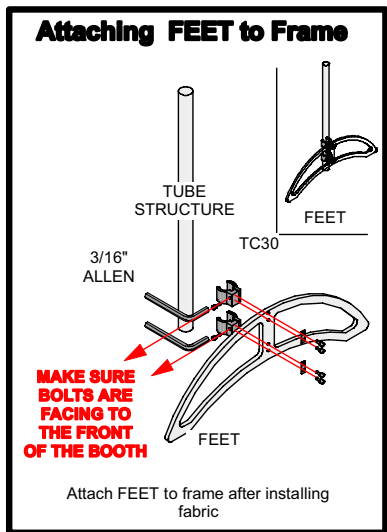
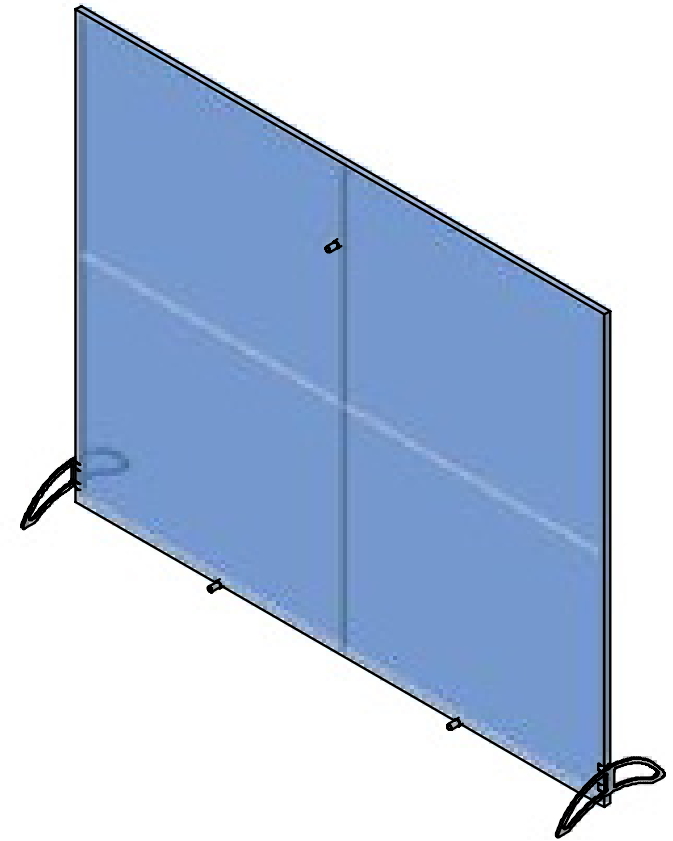
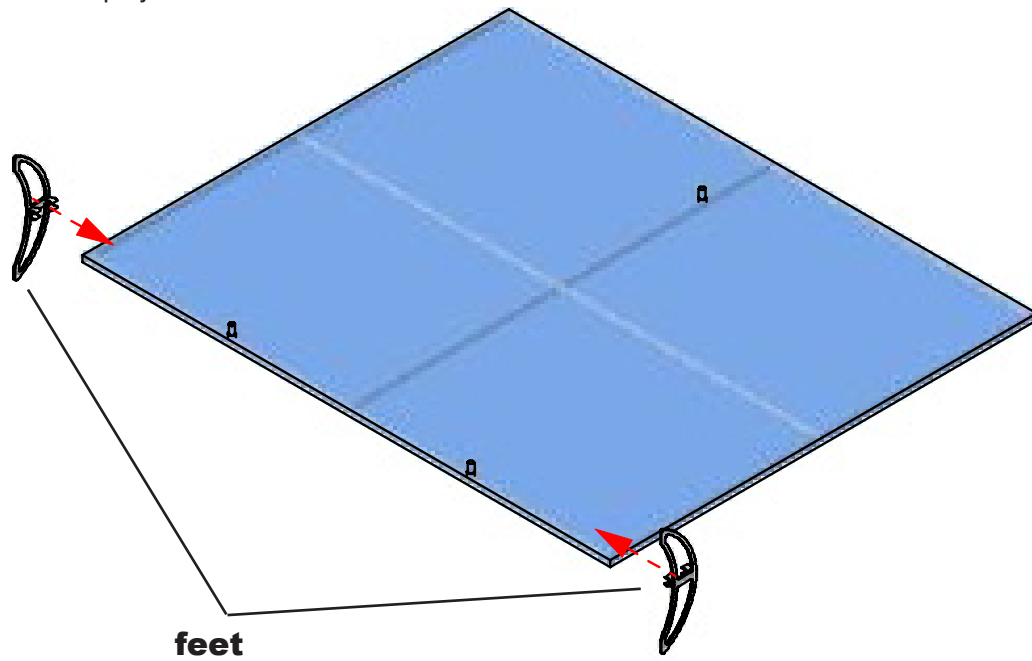


Note: Knobs should face forward when frame stands upright.



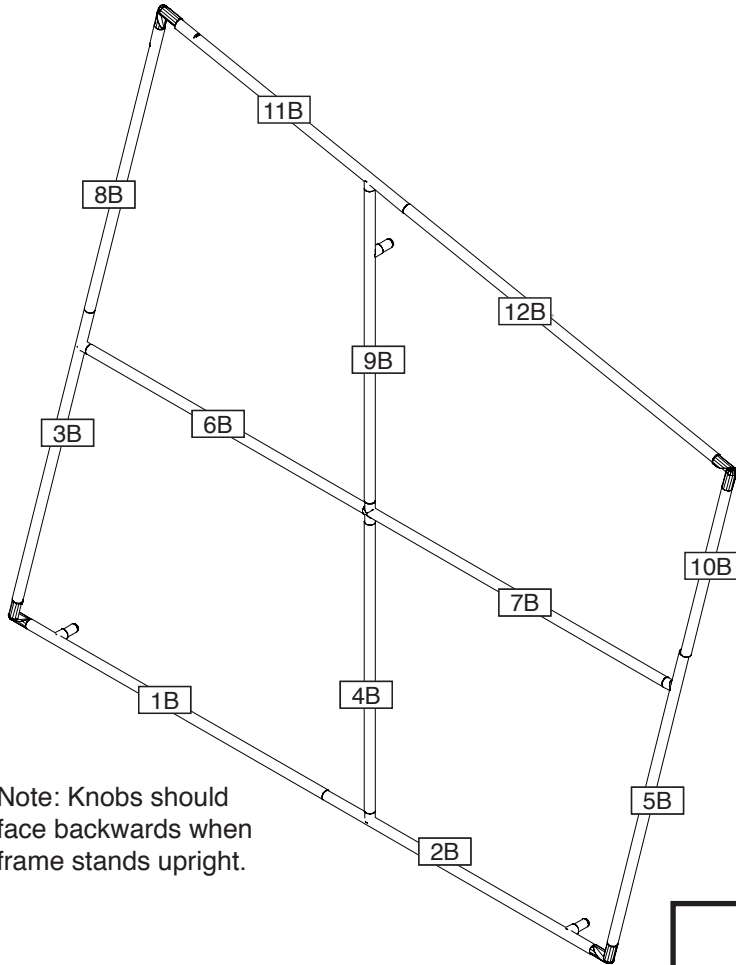
Step 2.

Attach feet to background frame using detail shown below. Stand unit upright. Adjust the height of feet to ensure display is level.

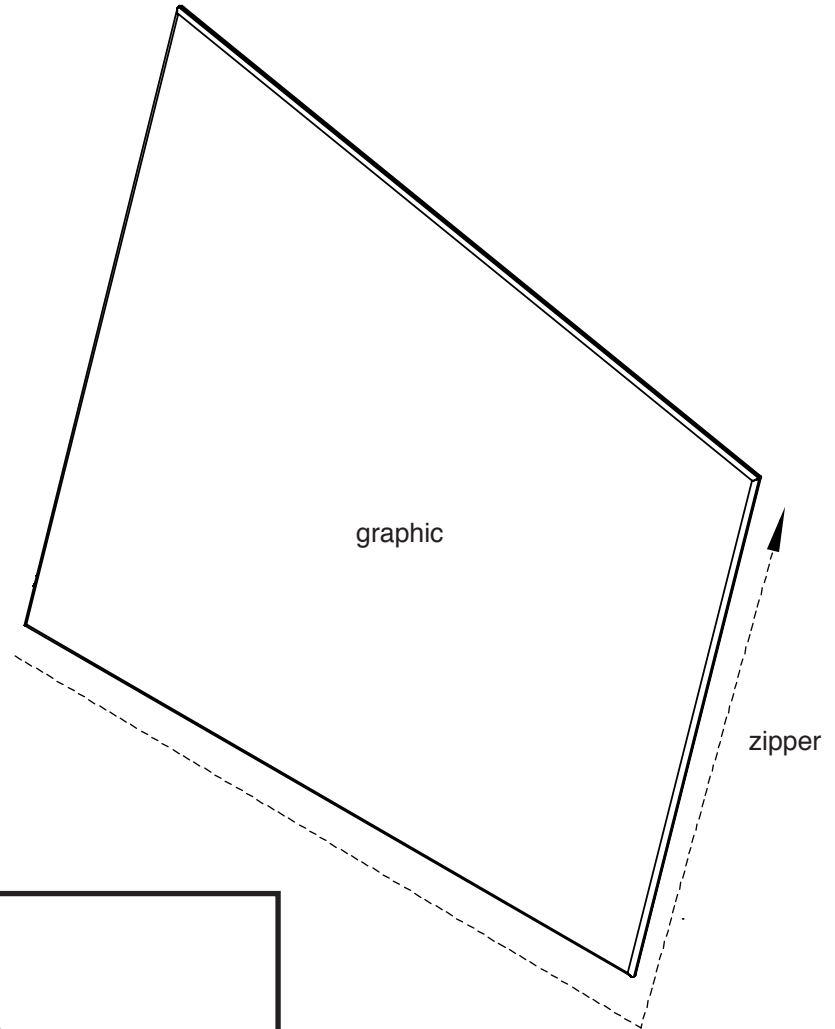


Step 3. Assemble foreground frame

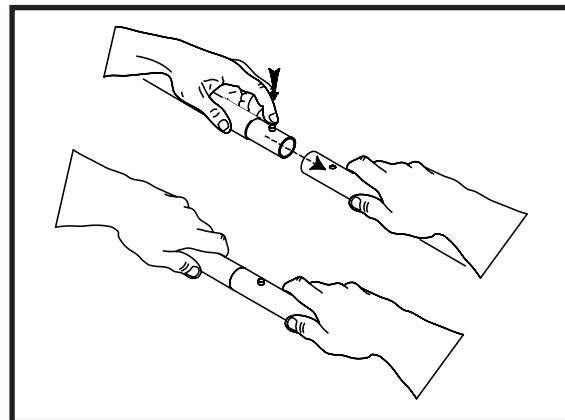
Lay pieces out flat and assemble in numerical order as shown. Numbers will be on the back side of the tube. When frame is complete, stretch foreground graphic over the frame starting at the top. Pull tightly all the way down assuring holes in graphic align with knobs on frame and secure with zipper.



Note: Knobs should face backwards when frame stands upright.

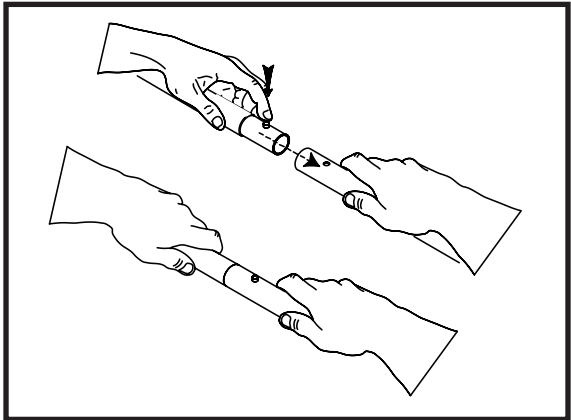
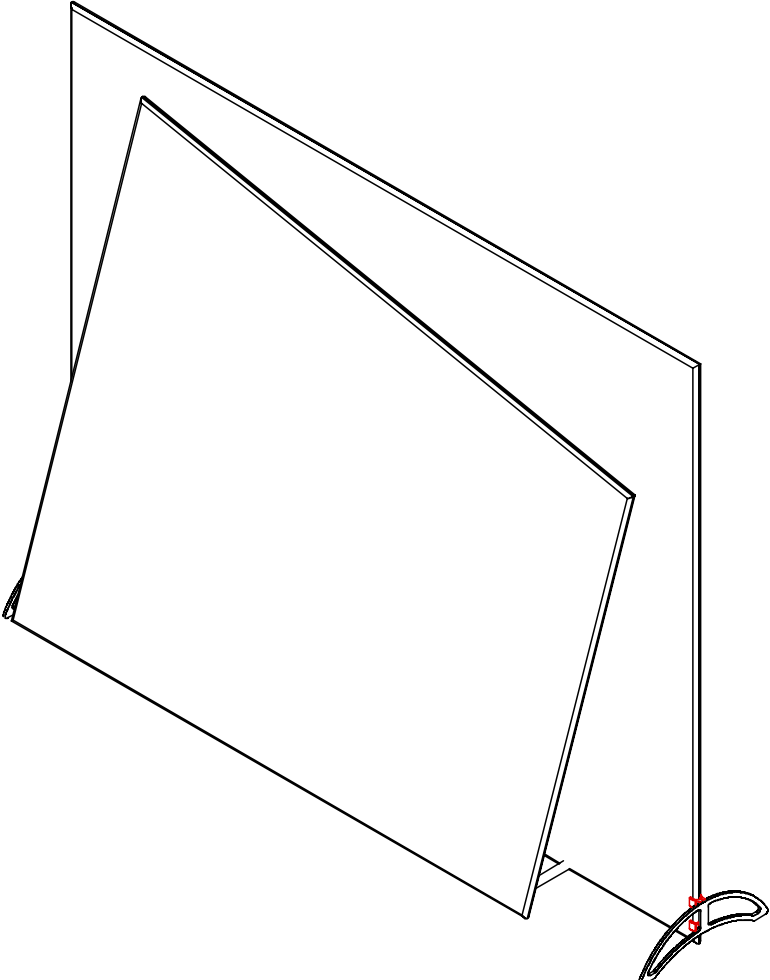
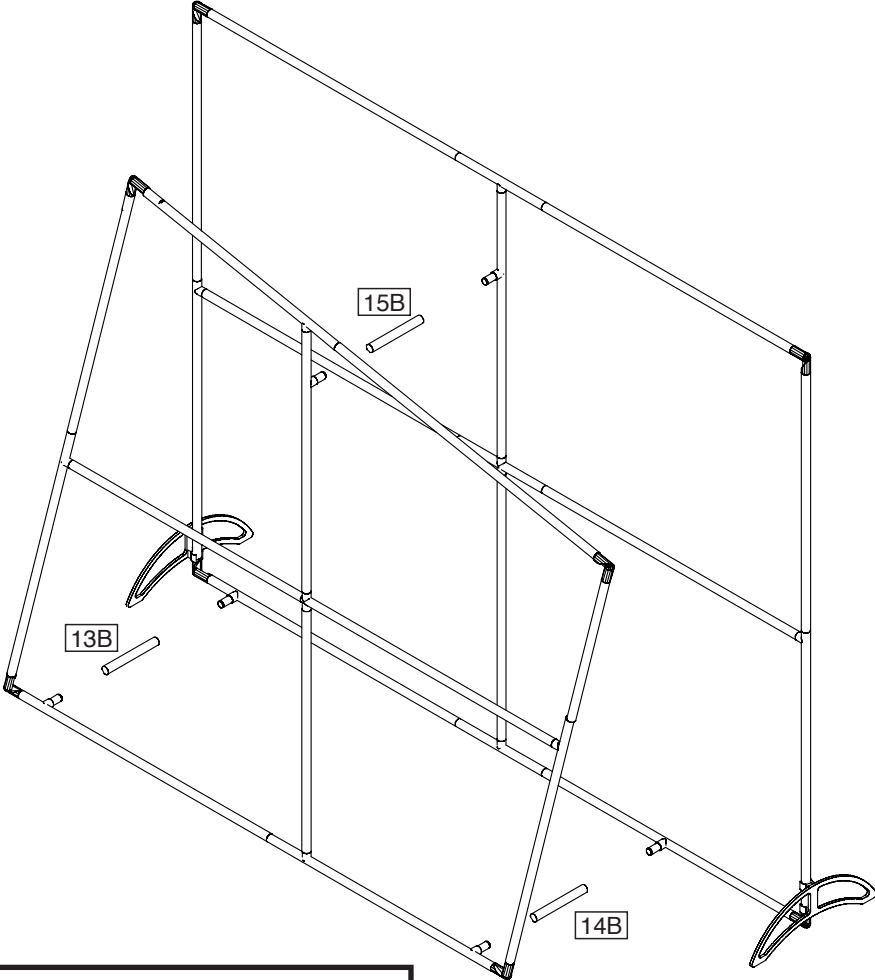


Graphic will fit snugly over the frame with the zipper at the top.



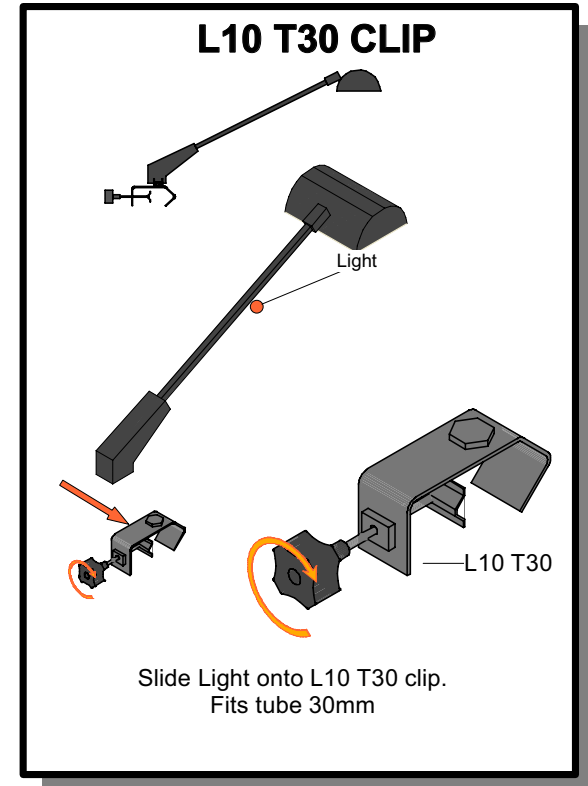
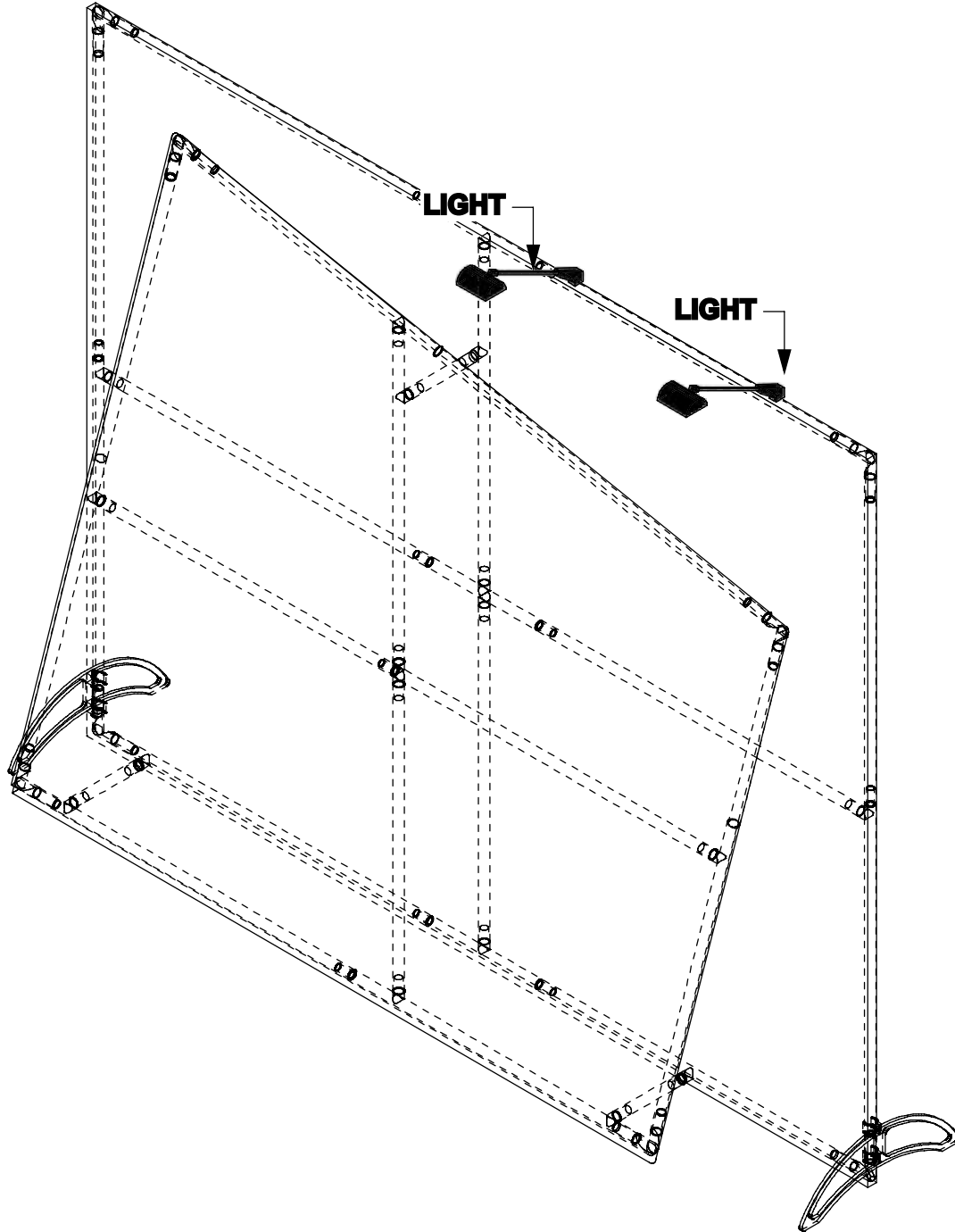
Step 4. Attach foreground frame to background frame

Attach two units together using 13B, 14B and 15B.



Step 5.

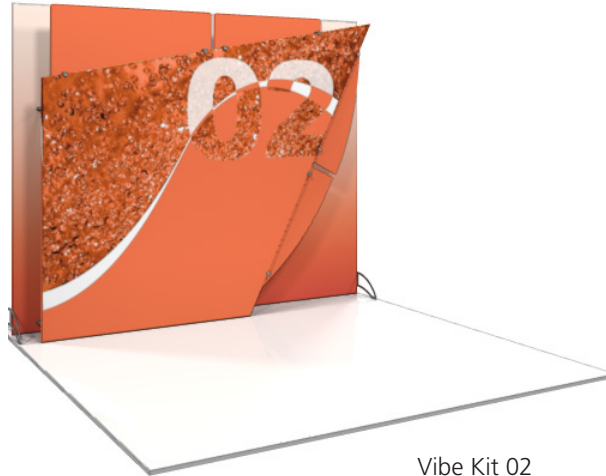
Attach lights to back frame as detailed in diagram below.



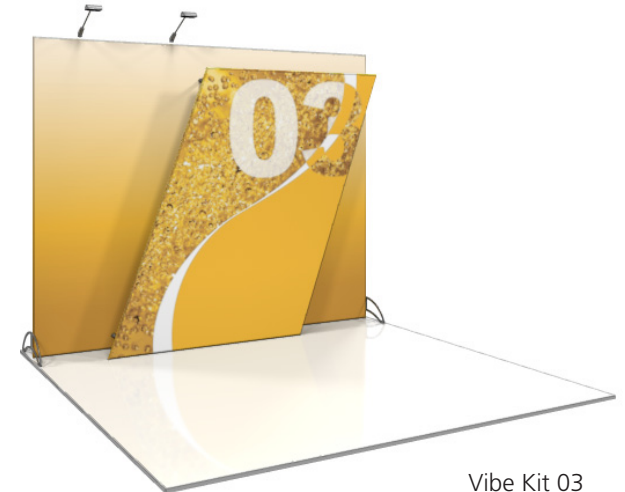
Check out these related products:



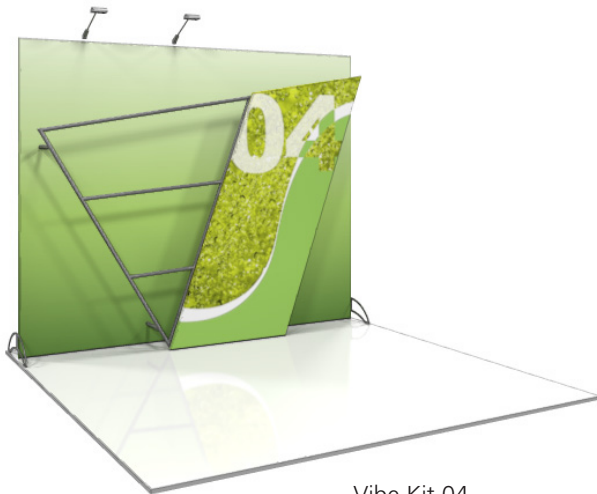
Vibe Kit 01



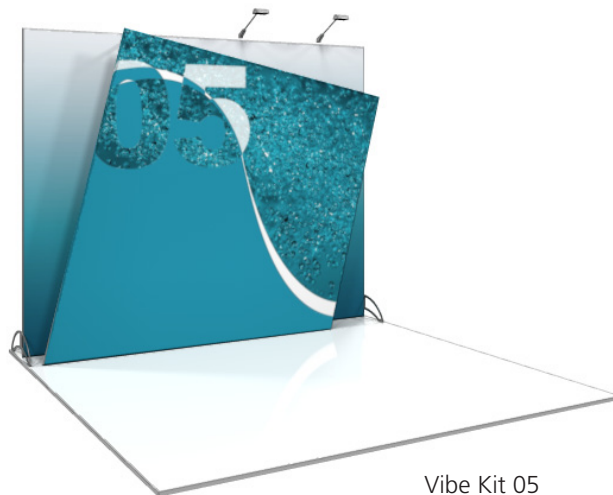
Vibe Kit 02



Vibe Kit 03



Vibe Kit 04



Vibe Kit 05



Vibe Kit 06
