

# MODify Single Sided Kit 01

MODify™ is a one-of-a-kind Modular Merchandising System that is made up of interchangeable fixtures and accessories that can be easily assembled, disassembled, and rearranged to create a variety of different display configurations. The MODify system incorporates SEG push-fit fabric graphics that enable you to brand, promote and merchandise with ease.

MODify Single Sided Kit 01 retail merchandising display features a printed fabric graphic on the front and back sides, four steel shelves for merchandise and a drop in base deck with leveling feet. Easily configure with casters, towel bars, faceout bars and more.



MODify Single Sided Kits should be mounted to a wall or structure for safety and stability.

We are continually improving and modifying our product range and reserve the right to vary the specifications without prior notice. All dimensions and weights quoted are approximate and we accept no responsibility for variance. E&OE. See Graphic Templates for graphic bleed specifications

## features and benefits:

Base Kit includes:

- Frame, shelf, and platform colors in kit are all the same - white, black, or silver
- Heavy-duty aluminum frame
- Steel, slatted uprights
- Four, 36" W x 12" D powder-coated steel shelves
- Two 35" W x 69" H Single-sided SEG push-fit fabric graphics, one front/one back
- Drop-in base with leveling feet (casters are optional)
- Display is easy to assemble and install Lifetime hardware warranty against manufacturer defects

Optional Accessories:

- Casters
- Towel Bars
- Faceout Bars

## dimensions:

### Hardware

Assembled unit:

37.5" W x 72" H x 20.5" D  
952.5mm(w) x 1828.8mm(h) x 520.7mm(d)

Approximate Weight:  
93 lbs / 42.1841 kg

### Shipping

Packing case(s):  
1 Box

Shipping dimensions:  
(72" L x 14" H x 24" D)  
1828.8mm(l) x 355.6mm(h) x 609.6mm(d)

Approximate shipping weight:  
142 lbs / 64.4101 kg

### Graphics

Graphic material: Dye-sublimated fabric

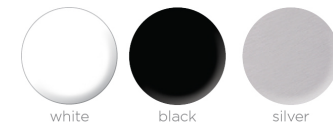
See graphic templates for graphic sizes.

Refer to related graphic templates for more information Visit:

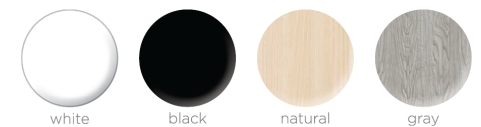
<https://www.theexhibitorshandbook.com/downloads/download-graphic-templates>  
or click here

### additional information:

Powder coat color options:



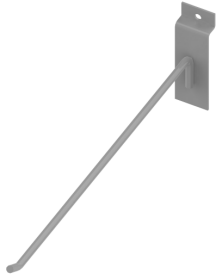
Wood laminate color options:



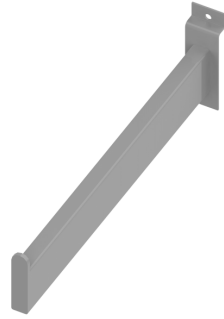
# MODify Accessories

All Accessories available in white, black, or silver

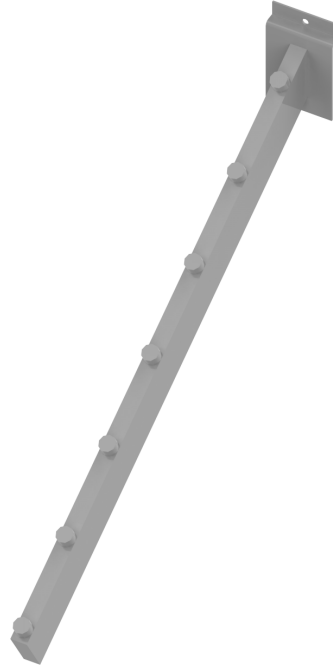
## Slotwall Accessories



MFY-SLT-HK  
4", 6", 8", 10" & 12"

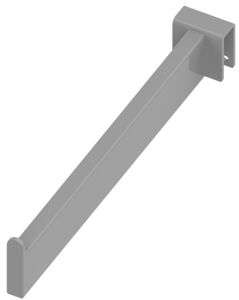


MFY-SLT-FC  
6", 8", 10" & 12"

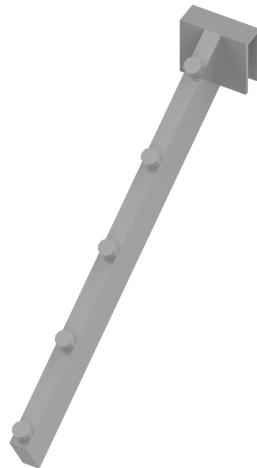


MFY-SLT-WTR-16-7

## U-Bar Accessories

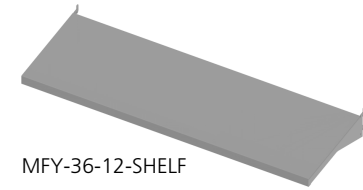


MFY-TWL-FC  
6", 8" & 10"

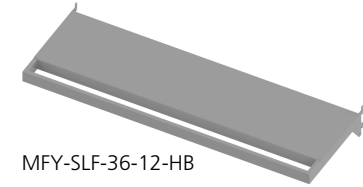


MFY-UBR-FC  
6", 8" & 10"

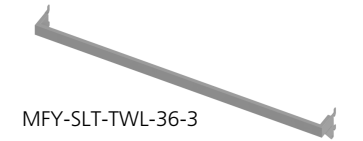
## Shelf and Hanger Bars



MFY-36-12-SHELF



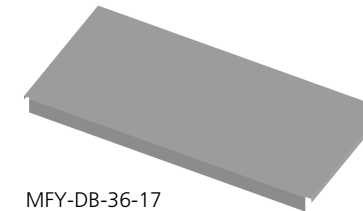
MFY-SLF-36-12-HB



MFY-SLT-TWL-36-3



MFY-UBR-36-12



MFY-DB-36-17

# Tools Required



MULTI HEX KEY  
(INCLUDED)



PHILLIPS SCREW DRIVER  
(NOT INCLUDED)

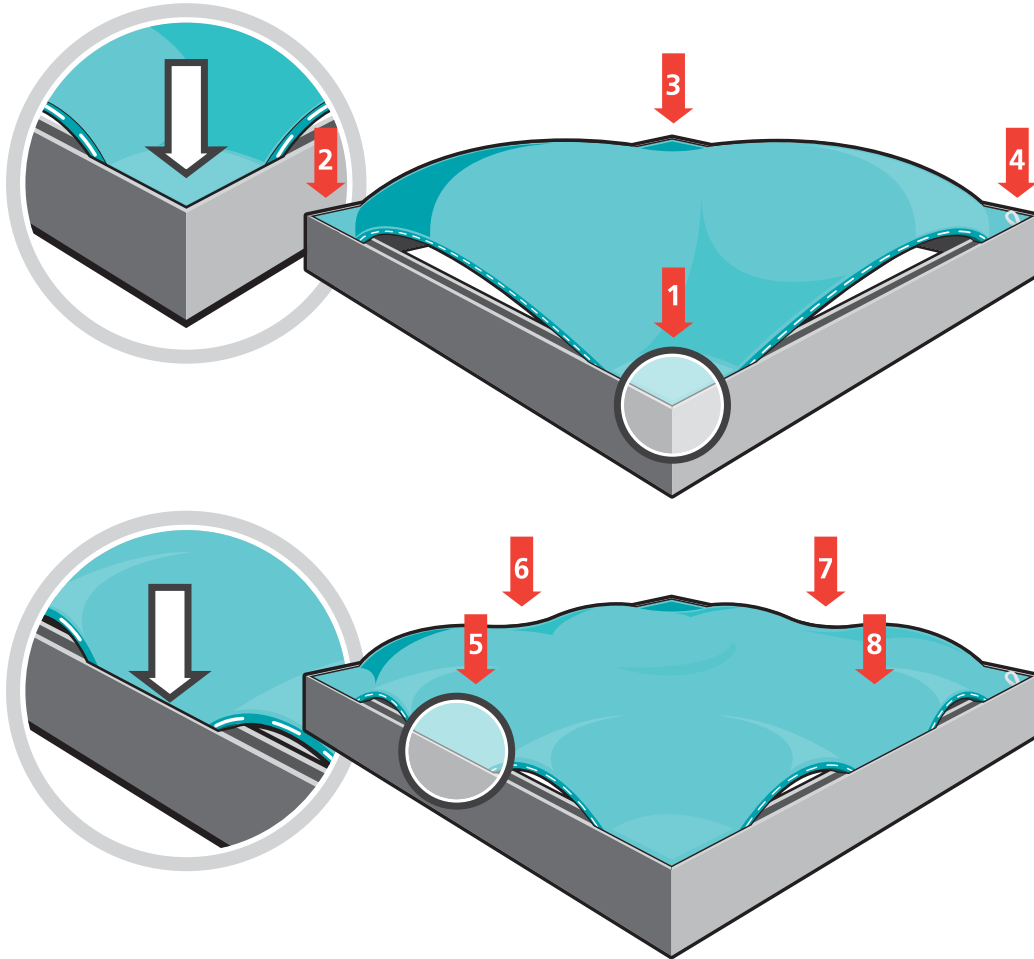


9/16" SOCKET WRENCH  
(NOT INCLUDED)

## How to Apply & Remove Graphics

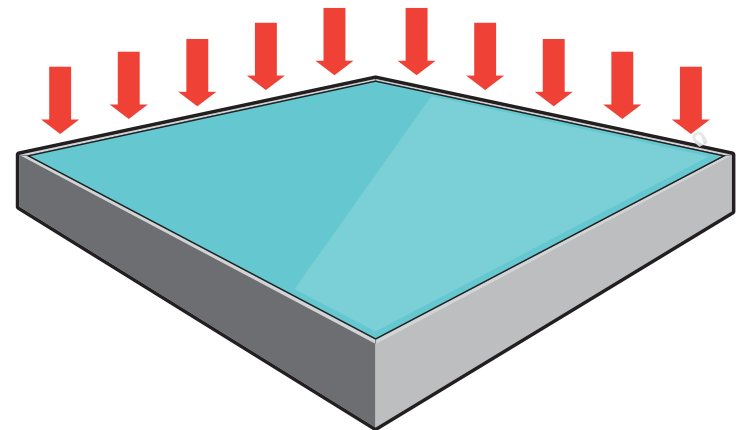
Installation and removal of SEG graphics is easy!

**Installation:** Push the SEG bead into each corner of the frame (1-4) with your thumb, then push the SEG bead into the middle of the run (5-8) and work your way around the perimeter of the frame until all beading is pushed in properly; if necessary, go around the perimeter again to ensure beading is secure in the extrusion profile.








**Note:** Keep the set up area clean by using a drop cloth, washing hands before set-up or by wearing gloves.

**Removal:** Use the pull tab located on the graphic and gently pull the graphic from the frame, going around the perimeter.

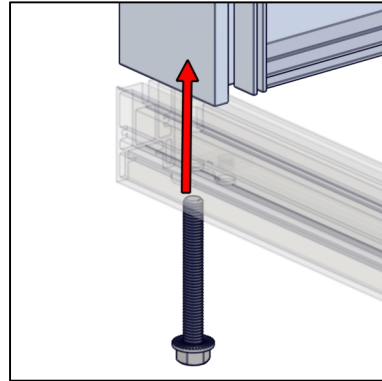


## Graphics Storage & Care

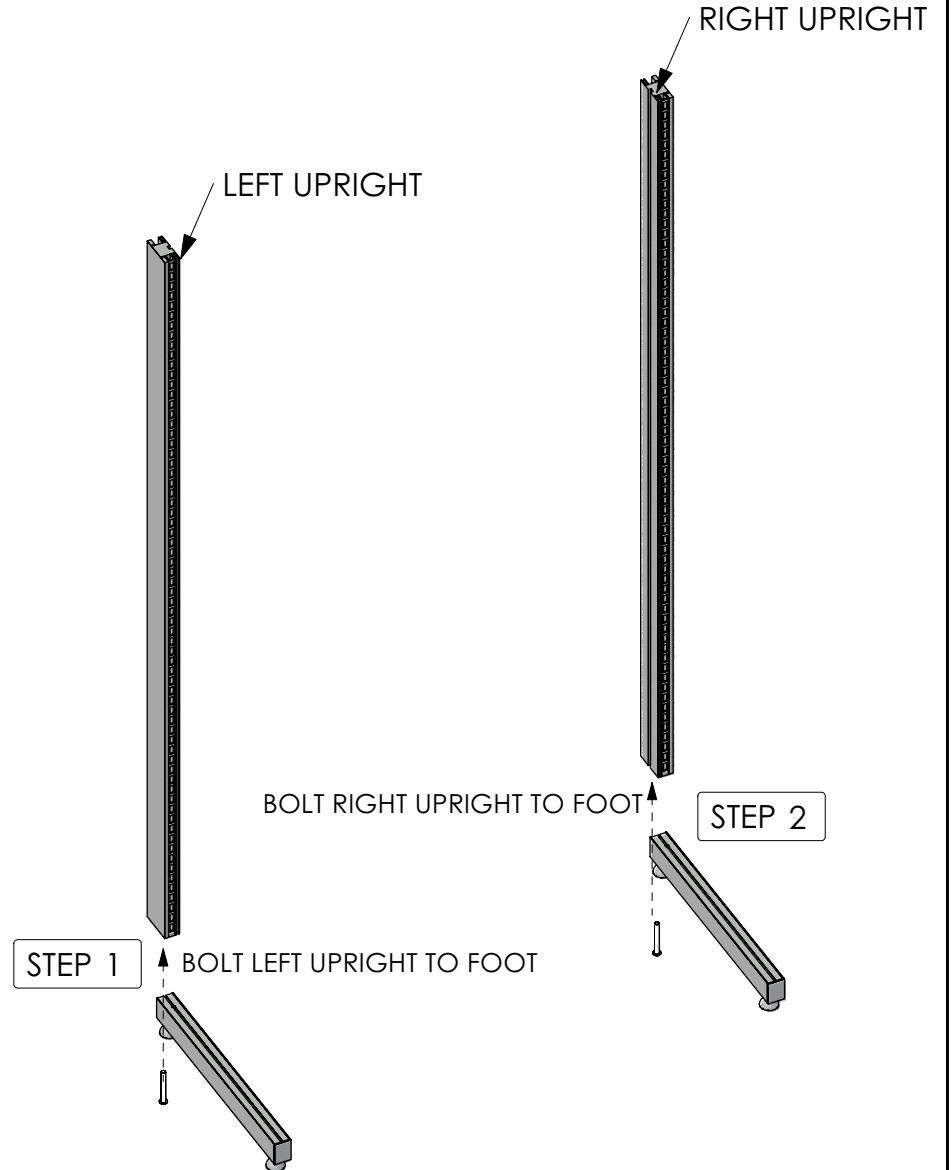
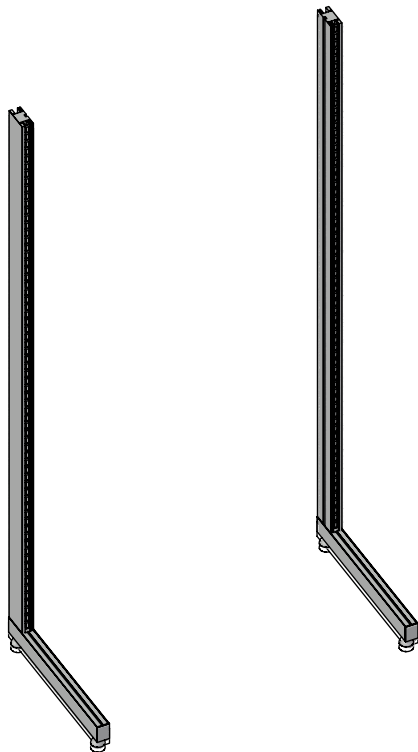
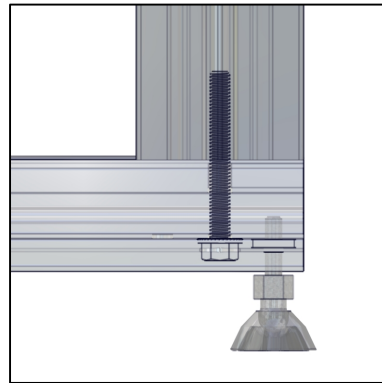
Graphics should be folded with the graphic facing inward and stored in a zip lock /sealable plastic bag. Spot clean by wiping with a damp white cloth. If washing is necessary, use a commercial size front-loading washing machine, gentle cycle with cool water. Line dry flat. Dry cleaning is NOT recommended to prevent shrinkage.

QTY	IMAGE	DESCRIPTION
2		3/8-16 x 2.5" L bolt
1		1740MM (68.50in) LEFT UPRIGHT
1		512MM (20.16IN) RIGHT SUPPORT LEG
1		1740MM (68.50in) RIGHT UPRIGHT
1		512MM (20.16IN) LEFT SUPPORT LEG

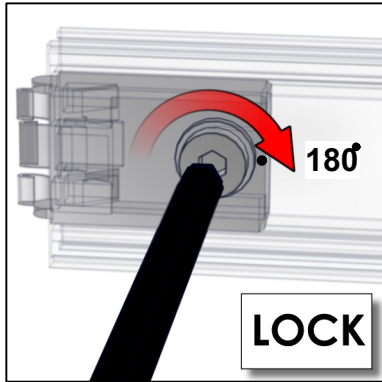
## SETUP INSTRUCTIONS



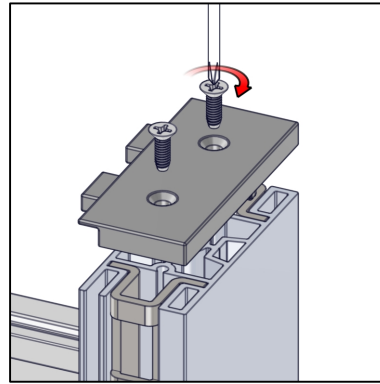
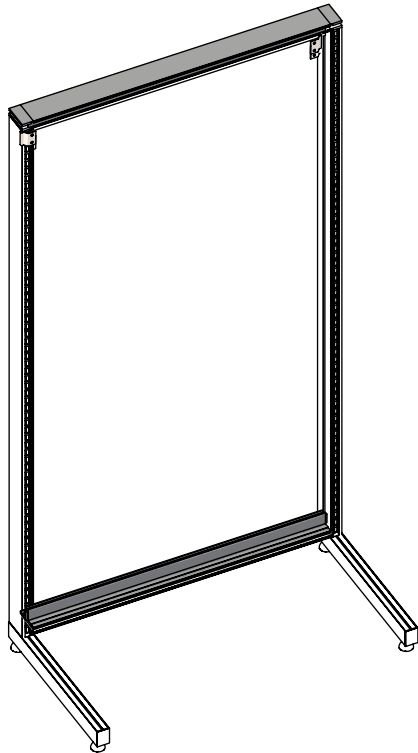
MFY-BOLT-375-16-2.5



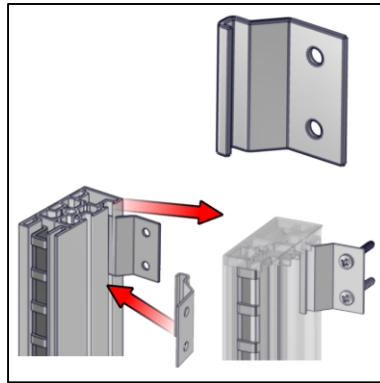
QTY	IMAGE	DESCRIPTION
2		883MM (34.76in) OF SINGLE SIDED SEG EXTRUSION -WITH CAM LOCKS BOTH ENDS
2		WALL BRACKET
2		7MM SEG PLASTIC END CAP FOR 831 EXTRUSION



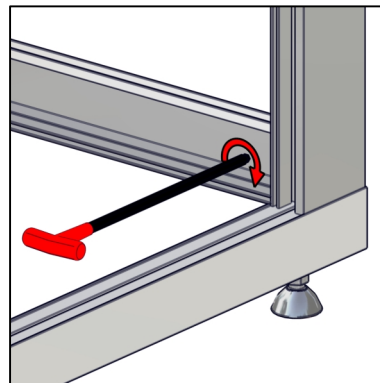
IMPORTANT! MAKE A HALF TURN TO LOCK EXTRUSIONS



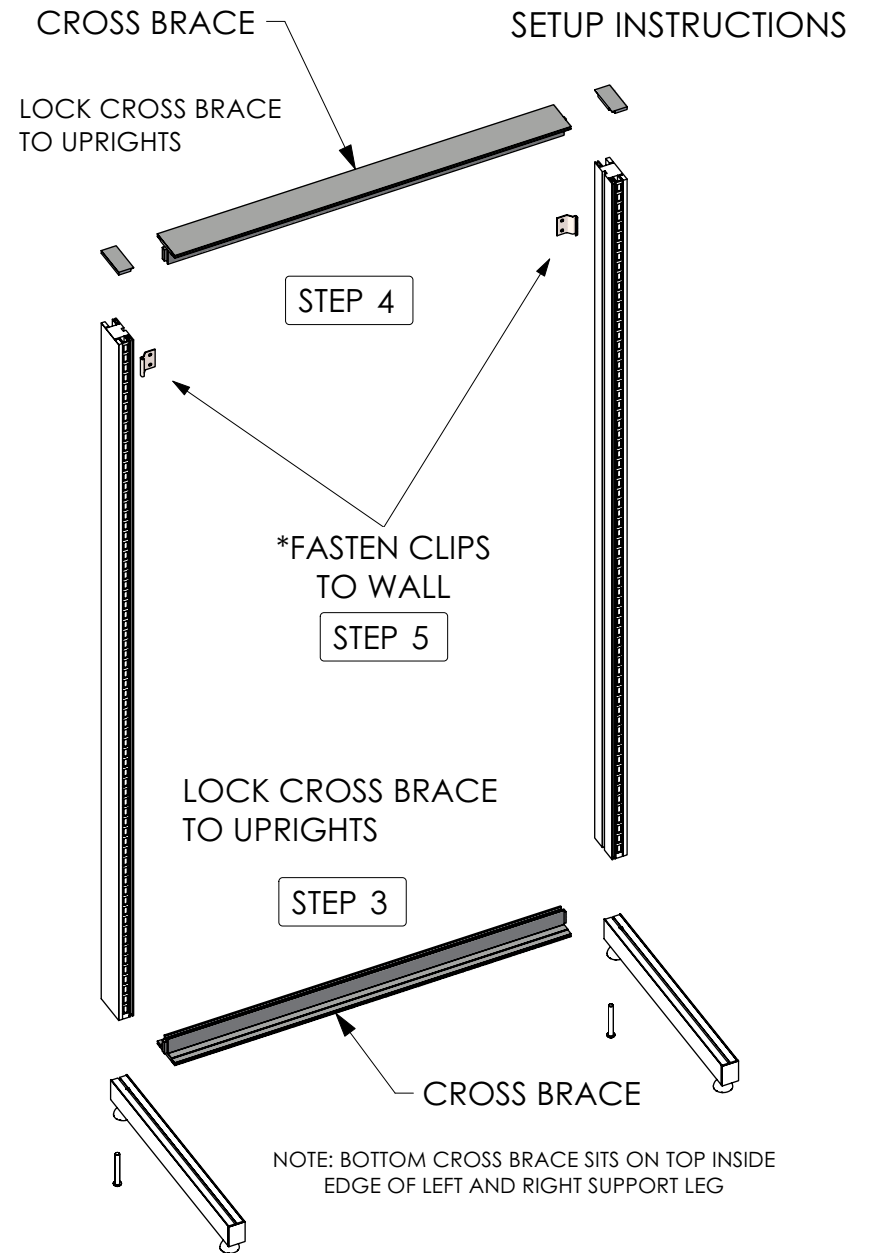
LOOSEN END CAP TO ATTACH TOP CROSS BRACE




WALL MOUNT CLIPS



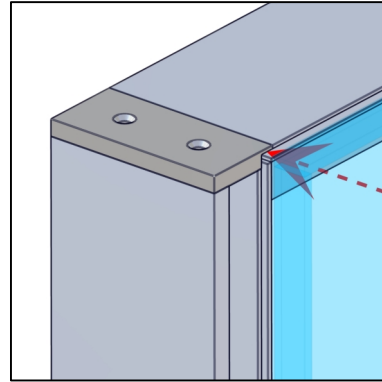
CROSS BRACE SITS ON SUPPORT LEGS



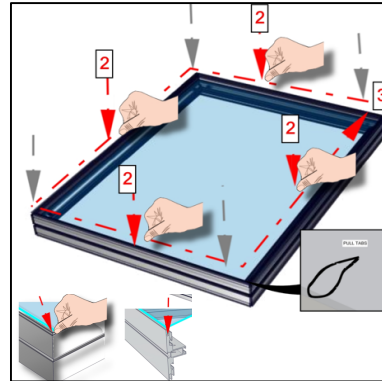
Disclaimer: Unit must be permanently secured and fastened to wall or other structure for stability.

QTY	IMAGE	DESCRIPTION
1		(39.26 w X 72.60 h total size ) 35.26 w X 68.60 h finish size, Dye-sub print on Eclipse Blockout Stretch, single sided, sewn with FCE-2 silicone beading around perimeter & pull tab in bottom right corner (WITH 1/4" NOTCH LEFT & RIGHT BOTTOM HORIZONTAL SIDE)

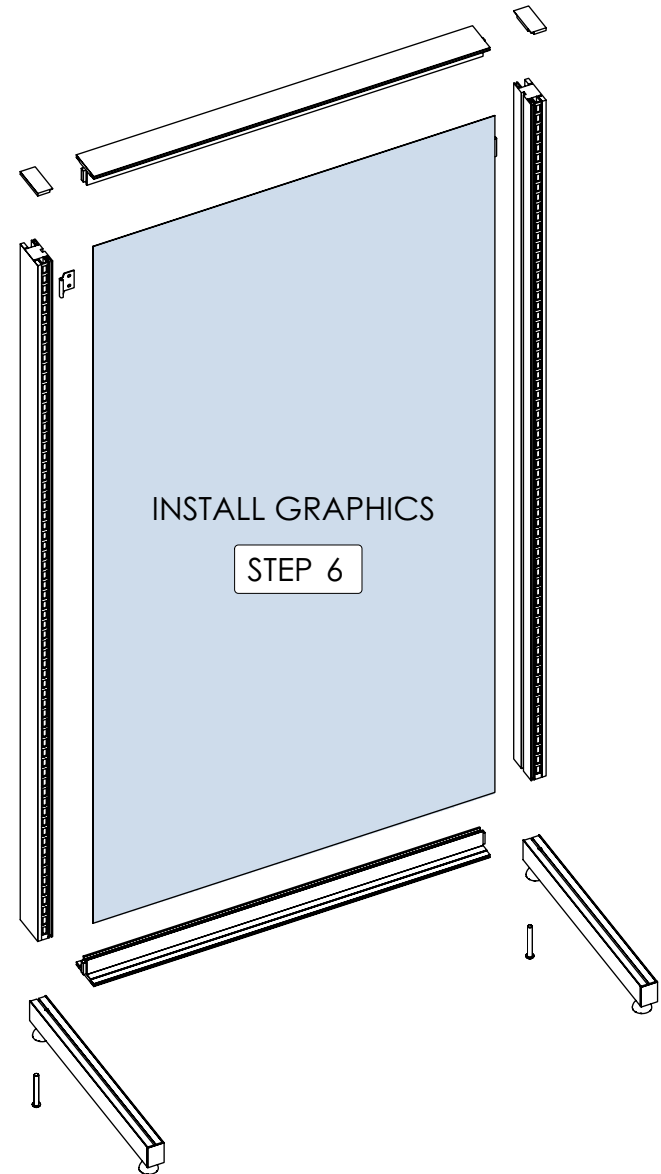
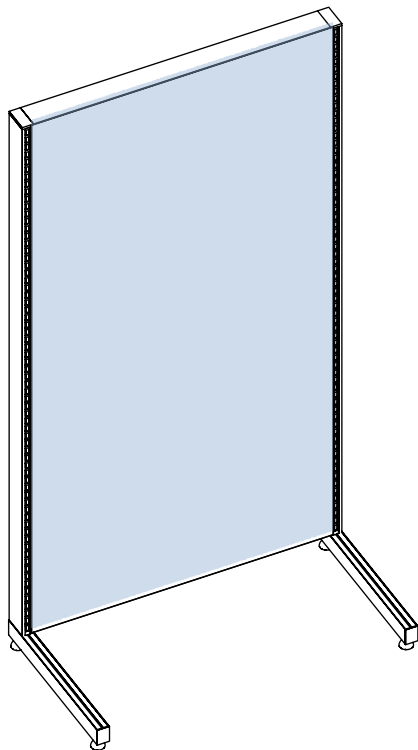
## SETUP INSTRUCTIONS



PRESS GRAPHIC INTO CORNERS



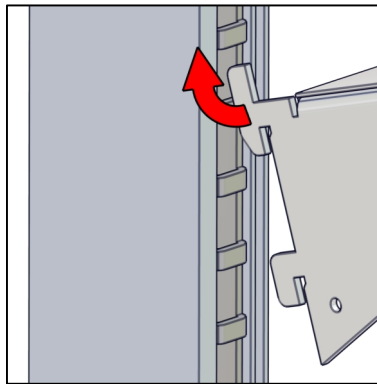
THEN PRESS ALONG THE PERIMETER EDGE



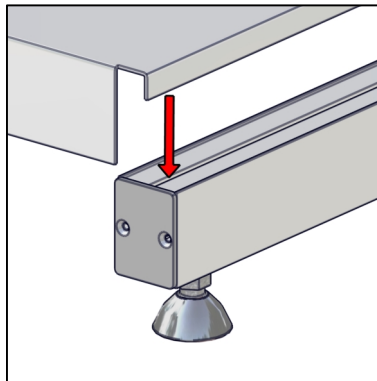
1		36in WIDE X 17.25in DEEP - DROP-IN BASE PAN
4		MODIFY 36IN WIDE X 12IN DEEP SHELF

STEP 7

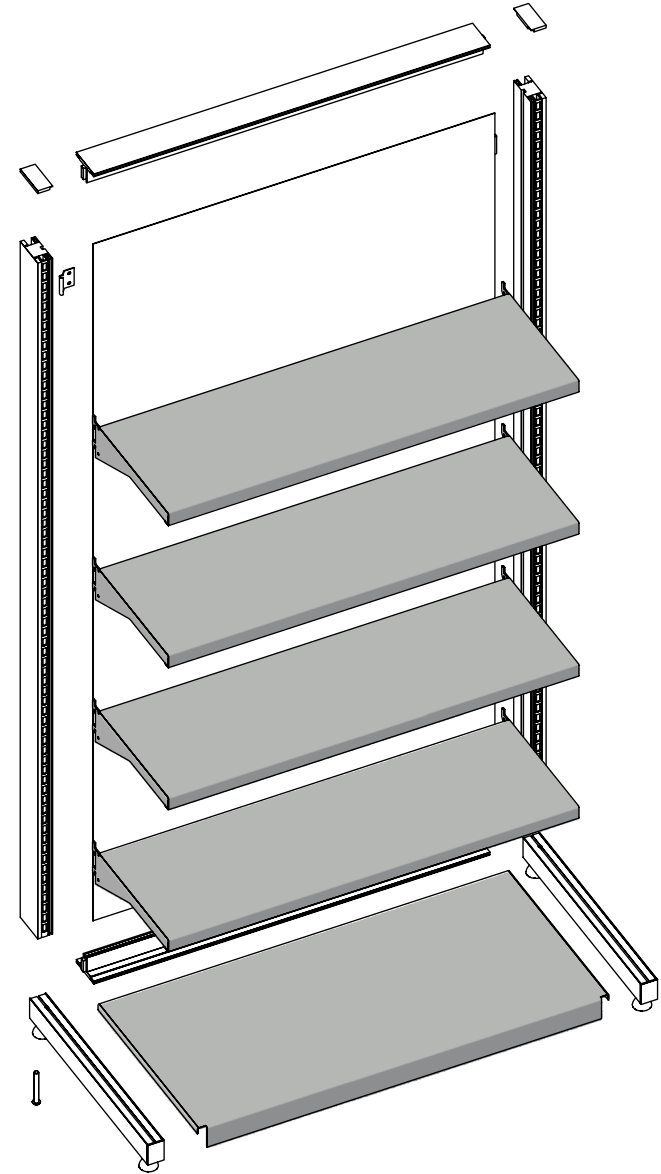
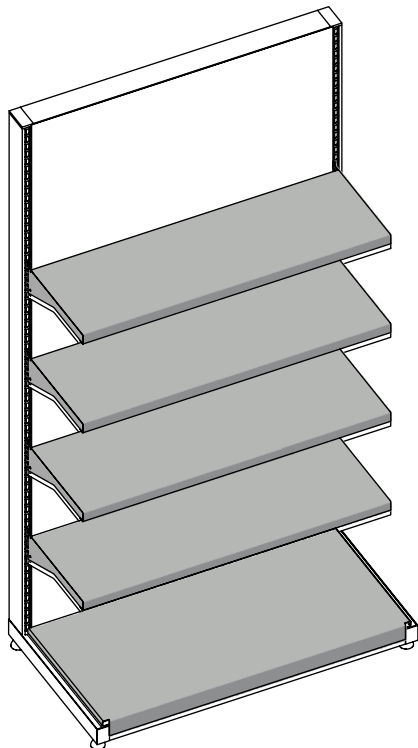
ATTACH SHELVES  
AND ADD BASE  
PAN.



HOOK SHELVES TABS  
INTO STANDARD



MFY-36-17-BASE-PAN






# Kit Hardware BOM

ITEM	COMPONENTS	QTY	DESCRIPTION
	824-512	1	512MM (20.16IN) LEFT SUPPORT LEG
	824-512	1	512MM (20.16IN) RIGHT SUPPORT LEG
	831-1740	1	1740MM (68.50in) LEFT UPRIGHT
	831-1740	1	1740MM (68.50in) RIGHT UPRIGHT
	831-EC	2	7MM SEG PLASTIC END CAP FOR 831 EXTRUSION
	835-883-01-01	2	883MM (34.76in) OF SINGLE SIDED SEG EXTRUSION -WITH CAM LOCKS BOTH ENDS
	MFY-BOLT-375-16-2.5	2	3/8-16 x 2.5"L bolt
	MFY-BRKT3	2	WALL BRACKET
	MFY-DB-36-17	1	36in WIDE X 17.25in DEEP - DROP-IN BASE PAN
	MFY-SLF-36	4	MODIFY 36IN WIDE X 12IN DEEP SHELF

# Kit Graphics BOM

ITEM	COMPONENTS	QTY	DESCRIPTION
	MFY-SS-01-G	1	(39.26 w X 72.60 h total size ) 35.26 w X 68.60 h finish size, Dye-sub print on Eclipse Blockout Stretch, single sided, sewn with FCE-2 silicone beading around perimeter & pull tab in bottom right corner (WITH 1/4" NOTCH LEFT & RIGHT BOTTOM HORIZONTAL SIDE)