

Vibe Kit 06

VBK-6

Vibe is a collection of cleverly-designed state-of-the-art 10' exhibit booths. Vibe combines light-weight aluminum structures with pillowcase dye-sublimated printed fabric graphics for a truly unique appearance and experience. Vibe is efficient, easy to assemble and disassemble and offers remarkable style options and choices.



We are continually improving and modifying our product range and reserve the right to vary the specifications without prior notice. All dimensions and weights quoted are approximate and we accept no responsibility for variance. E&OE. See Graphic Templates for graphic bleed specifications.

features and benefits:

- State-of-the-art snap button aluminum structure
- Frame constructed of 30mm lightweight aluminum tube
- High-quality dye-sublimated zipper pillowcase graphics
- Easy step-by-step instructions
- Kit includes two frames, two rigid graphic accents, two fabric pillowcase graphics, three wheeled molded cases, one monitor stand and two 120 watt floodlights
- Lifetime warranty on hardware against manufacturer defects

dimensions:

Hardware	Graphic
Assembled unit: 117.5" w x 96" h x 27" d 2984.5mm(w) x 2438.4mm(h) x 685.8mm(d)	Foreground: Total visible area: 111.8" w x 92" h 2839.72mm(w) x 2336.8mm(h)
Shipping Shipping dimensions - ships in 3 cases Two OCL cases, each: 19" l x 19" w x 56" h 482.6mm(l) x 482.6mm(w) x 1422.4mm(h) One OCH2 case: 52" l x 30" w x 15" h 1320.8mm(l) x 762mm(w) x 381mm(h)	Background: Total visible area: 114" w x 92" h 2895.6mm(w) x 2336.8mm(h)
Approximate shipping weight (entire kit): 140 lbs/63.5 kg	Wings: Total visual area: 8.729" w x 47" h 221.72mm(w) x 1193.8mm(h)
	Refer to related graphic templates for more information

additional information:

Graphic materials:
Dye-sublimated fabric & UV prints on 6mm sintra

Monitor mount holds max weight
50lbs/22.7kg

Monitor mount holds max size
42"/1066.8mm

Wings can be upgraded to frosted plex

Lights included: Lumina 200 120 watt floodlight, curved arm, black finish, 19.5" from end to end

Base color options:



silver



black

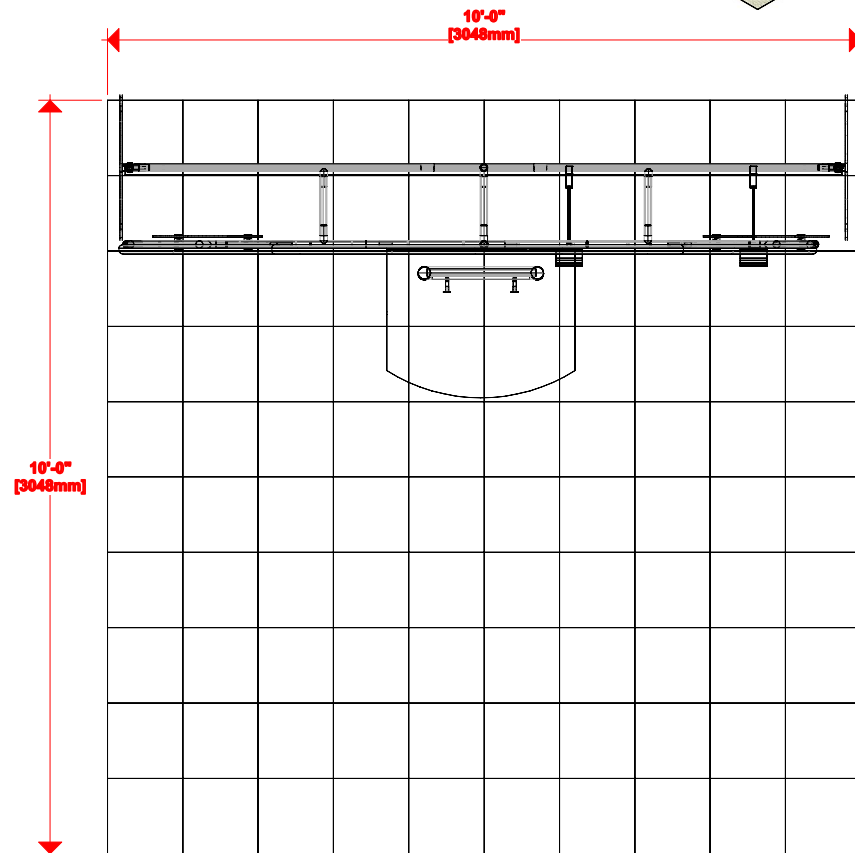
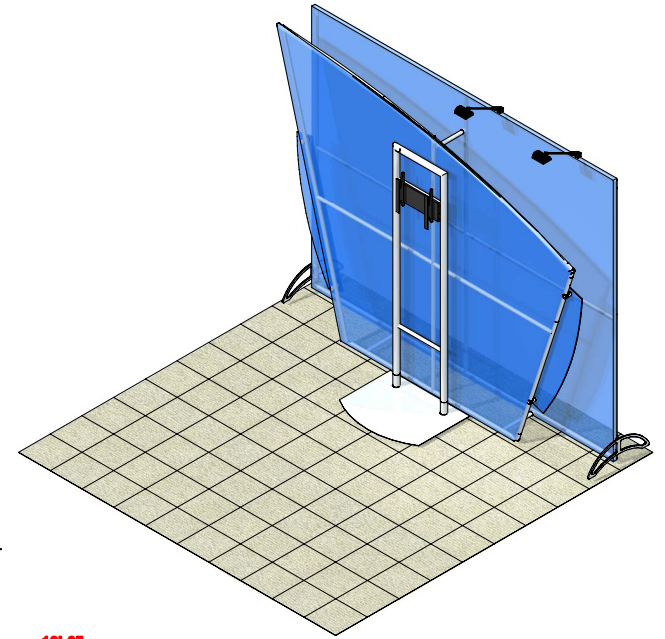
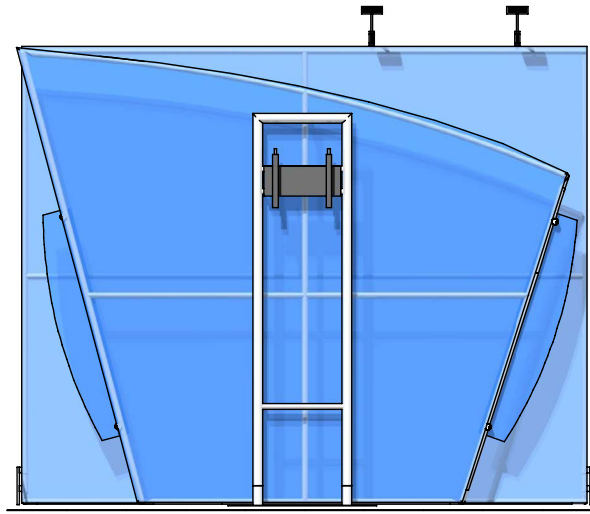


mahogany



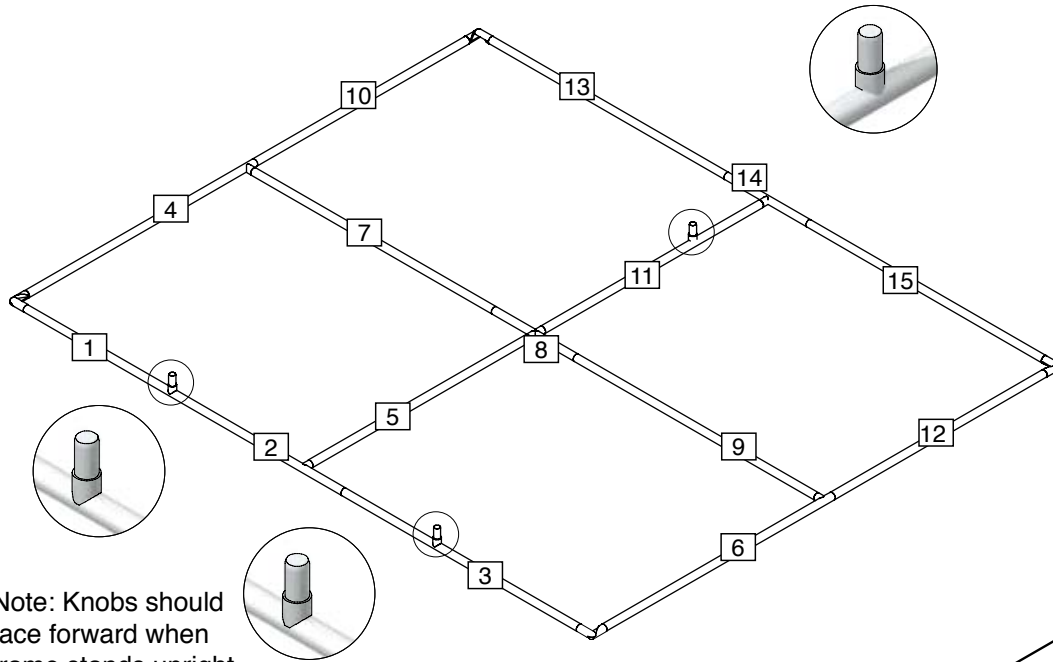
natural

Parts included			
Part Label	Qty	Part Label	Qty
1	x1	7B	x1
2	x1	8B	x1
3	x1	9B	x1
4	x1	10B	x1
5	x1	11B	x1
6	x1	12B	x1
7	x1	13B	x1
8	x1	14B	x1
9	x1	15B	x1
10	x1	16B	x1
11	x1	Feet	x2
12	x1	Lights	x2
13	x1	Tube clamp	x4
14	x1	Background graphic	x1
15	x1	Foreground graphic	x1
A1	x1	Wing graphic	x2
A2	x1	Tool	x1
A3	x1		
A4	x1		
1B	x1		
2B	x1		
3B	x1		
4B	x1		
5B	x1		
6B	x1		

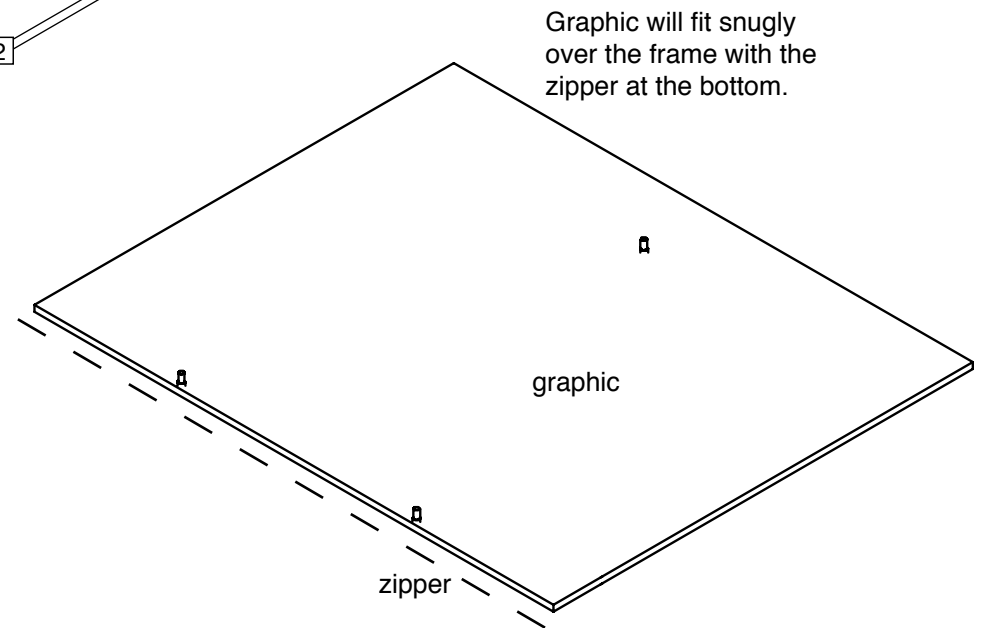
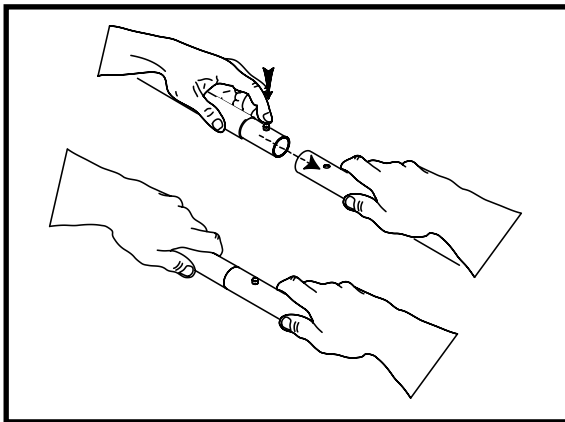


Step 1. Assemble background frame

Lay pieces out flat and assemble in numerical order as shown. Numbers will be on the back side of the tube. When frame is complete, stretch background graphic over the frame starting at the top. Pull tightly all the way down assuring holes in graphic align with knobs on frame and secure with zipper.



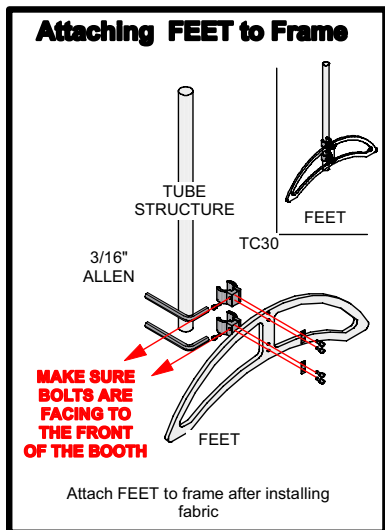
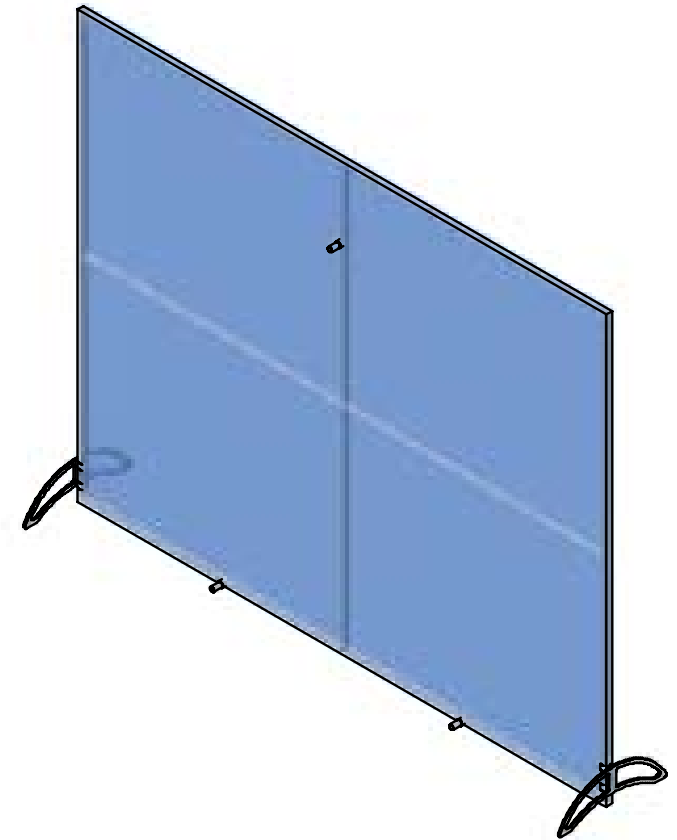
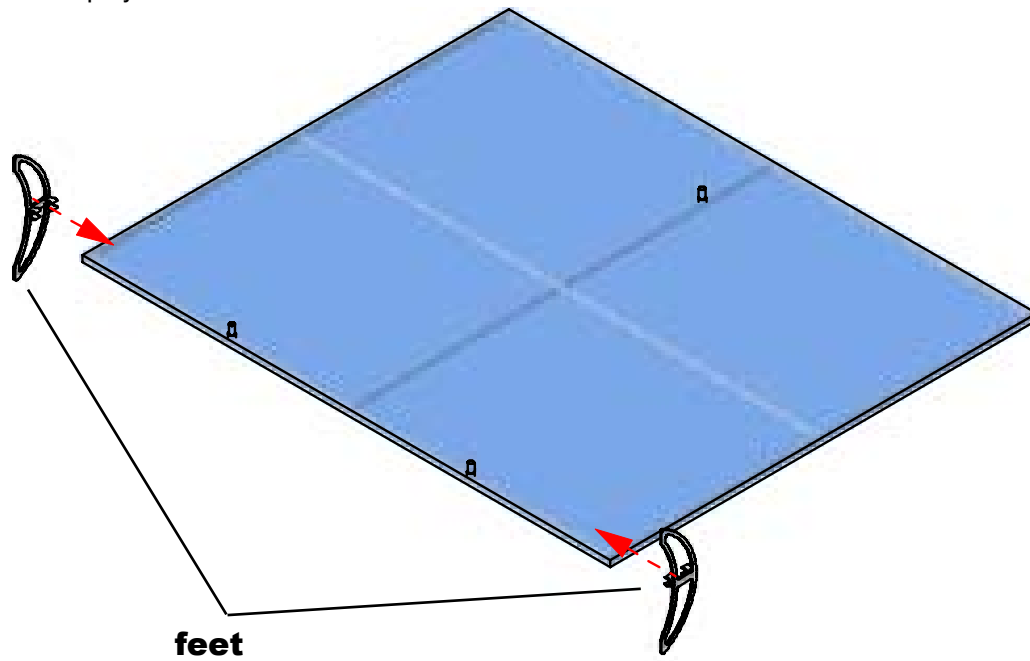
Note: Knobs should face forward when frame stands upright.



Graphic will fit snugly over the frame with the zipper at the bottom.

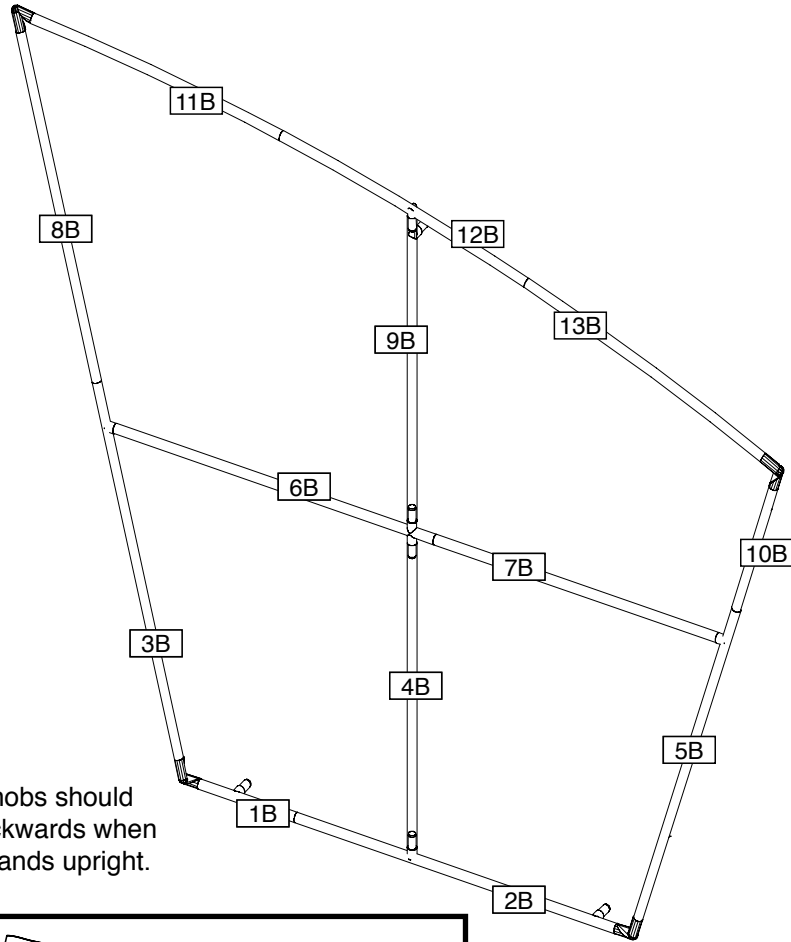
Step 2.

Attach feet to background frame using detail shown below. Stand unit upright. Adjust the height of feet to ensure display is level.

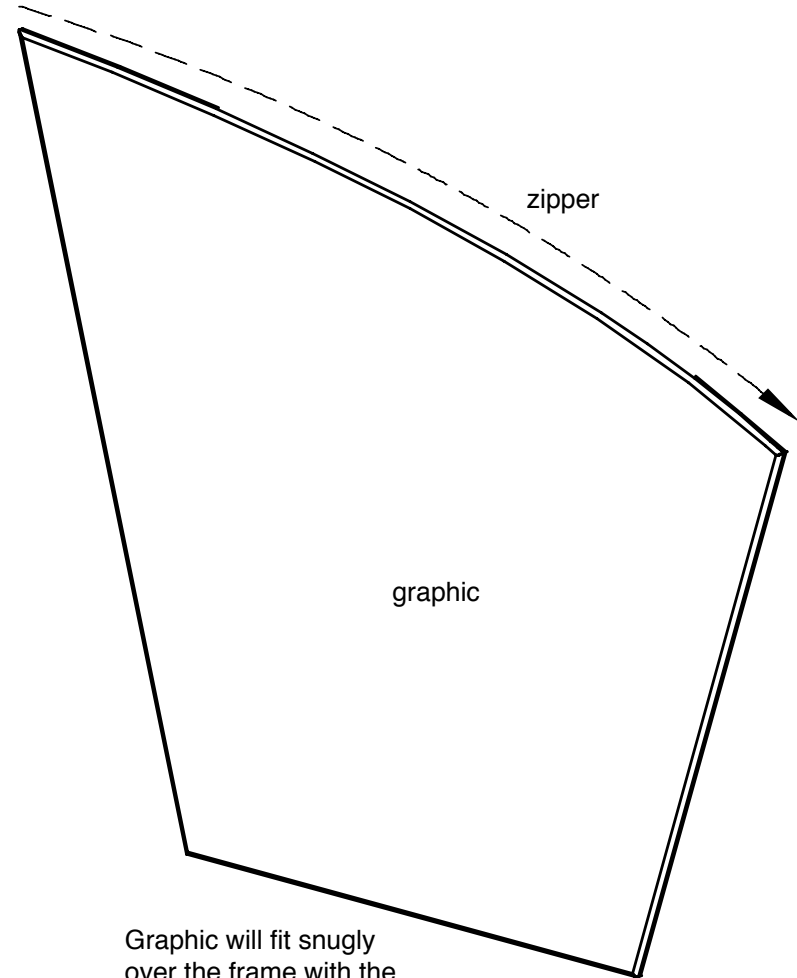
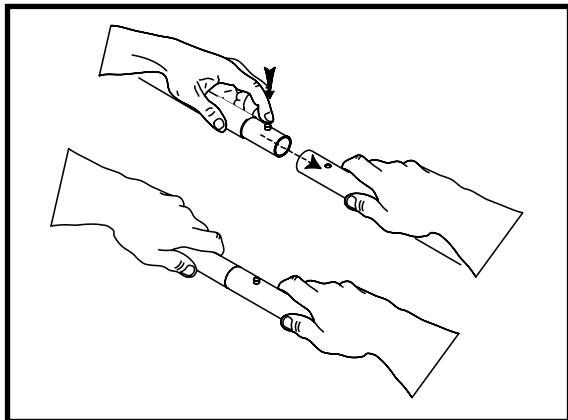


Step 3. Assemble foreground frame

Lay pieces out flat and assemble in numerical order as shown. Numbers will be on the back side of the tube. When frame is complete, stretch foreground graphic over the frame starting at the bottom. Pull tightly all the way up assuring holes in graphic align with knobs on frame and secure with zipper.



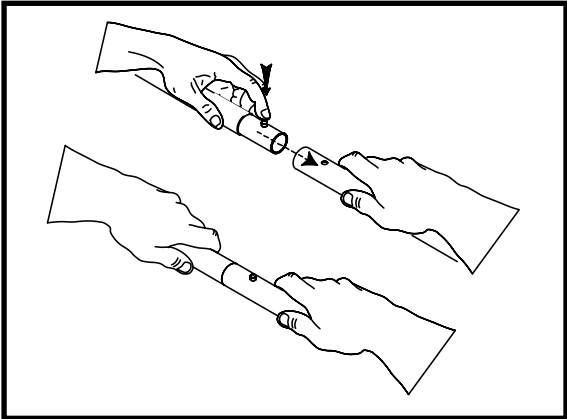
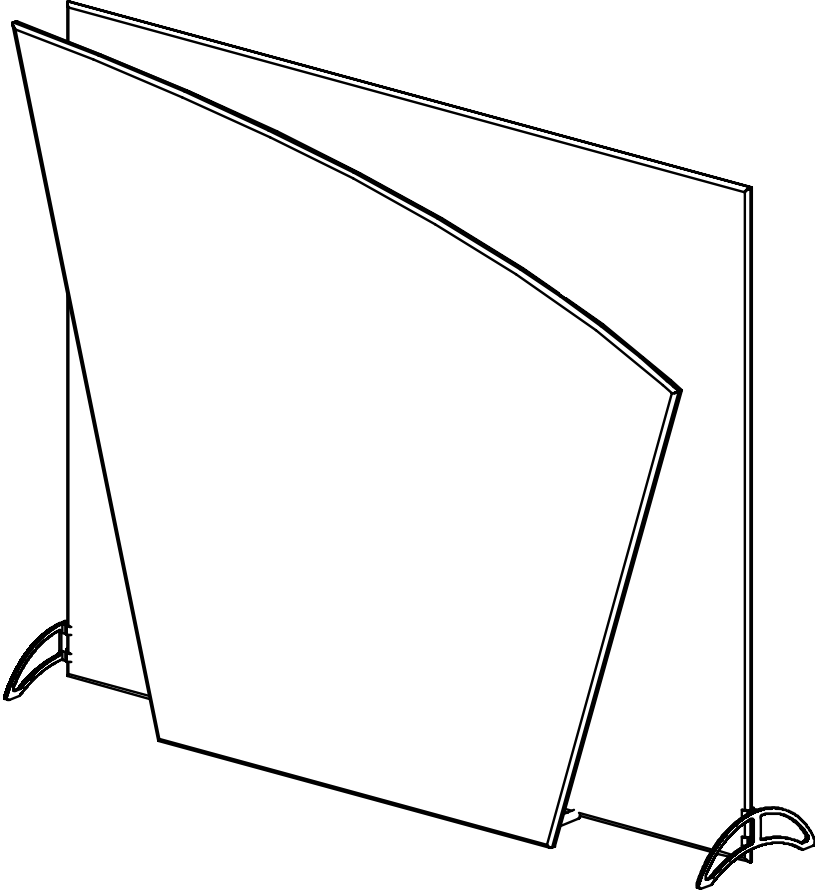
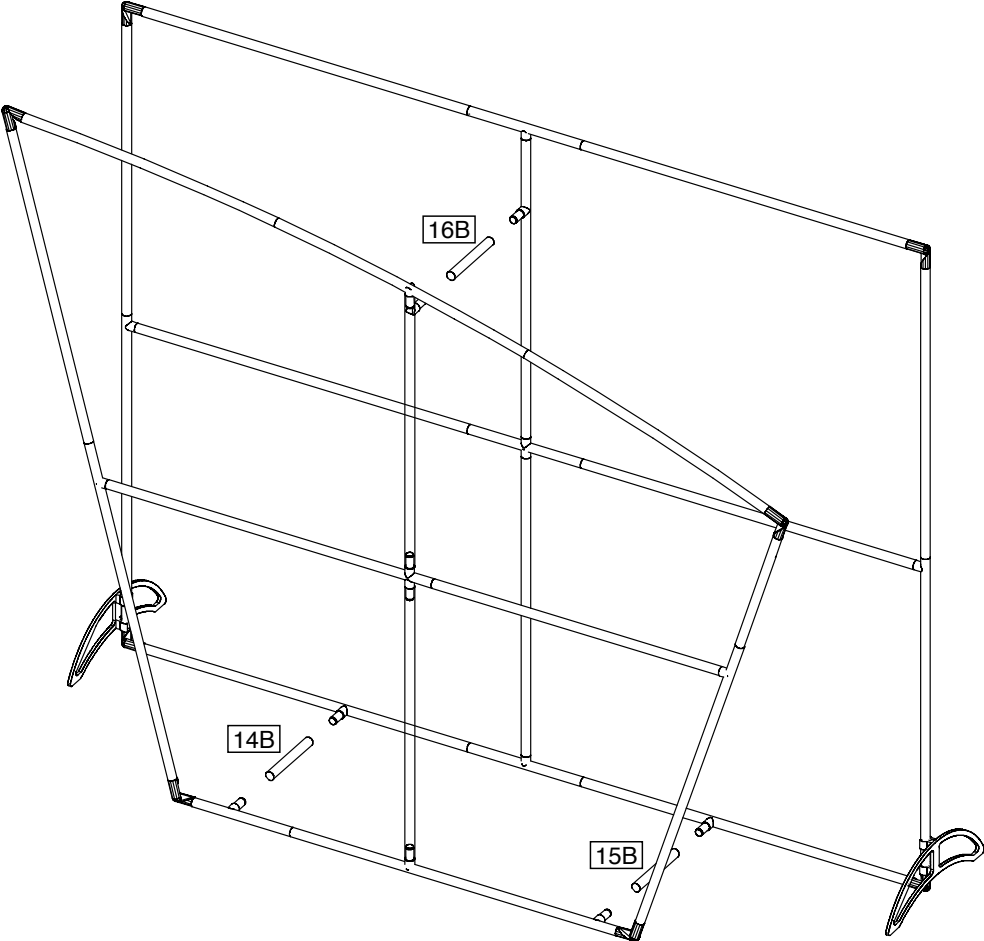
Note: Knobs should face backwards when frame stands upright.



Graphic will fit snugly over the frame with the zipper at the top.

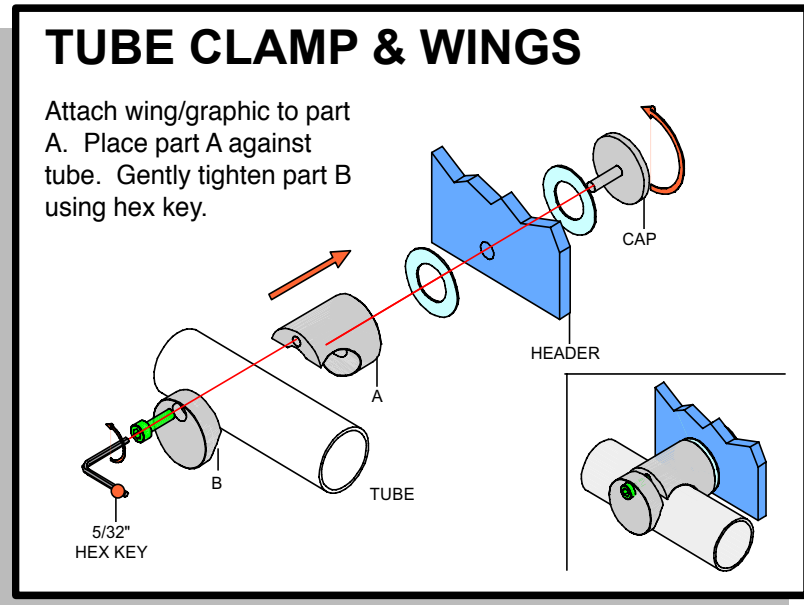
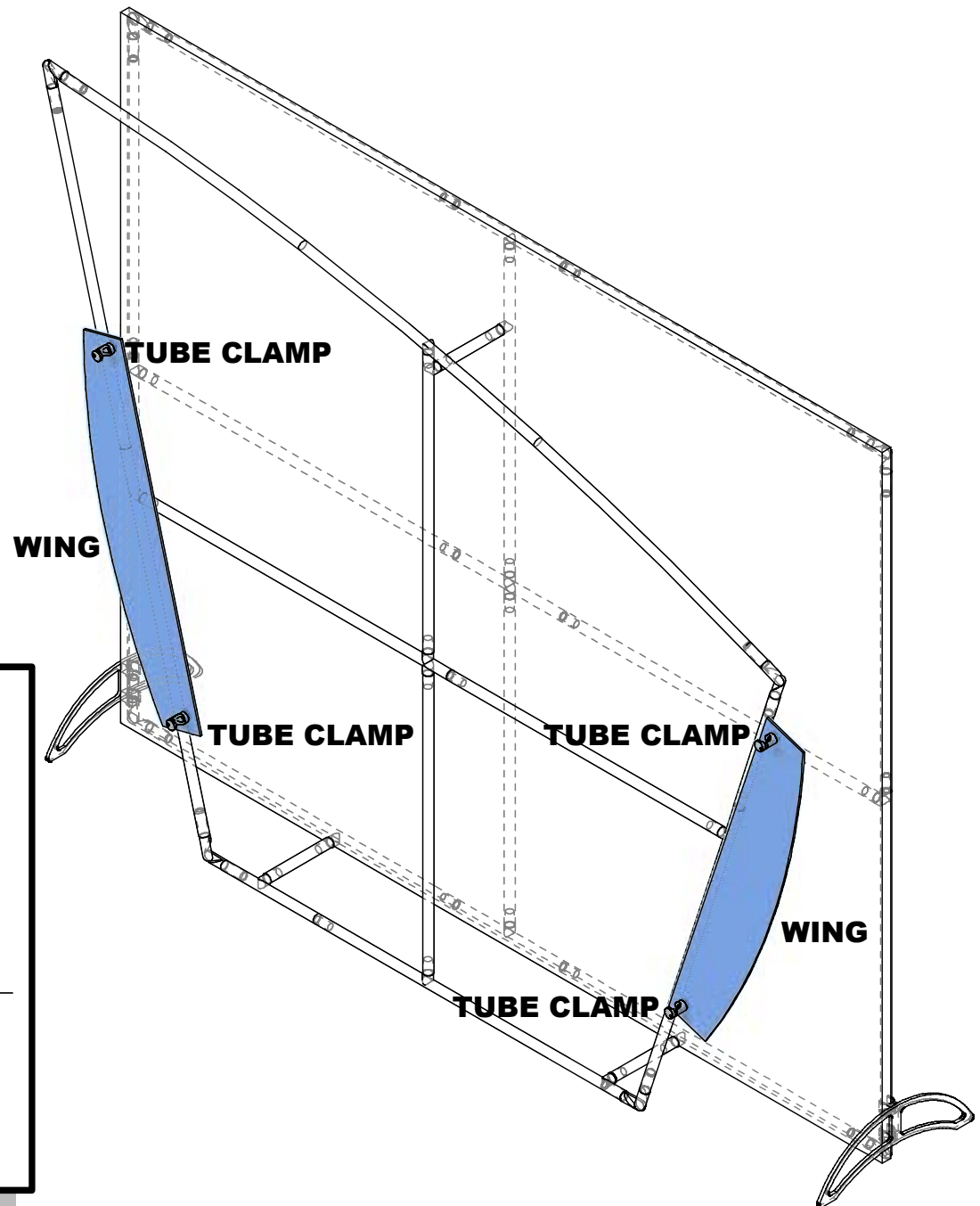
Step 4. Attach foreground frame to background frame

Attach two units together using 14B, 15B and 16B.



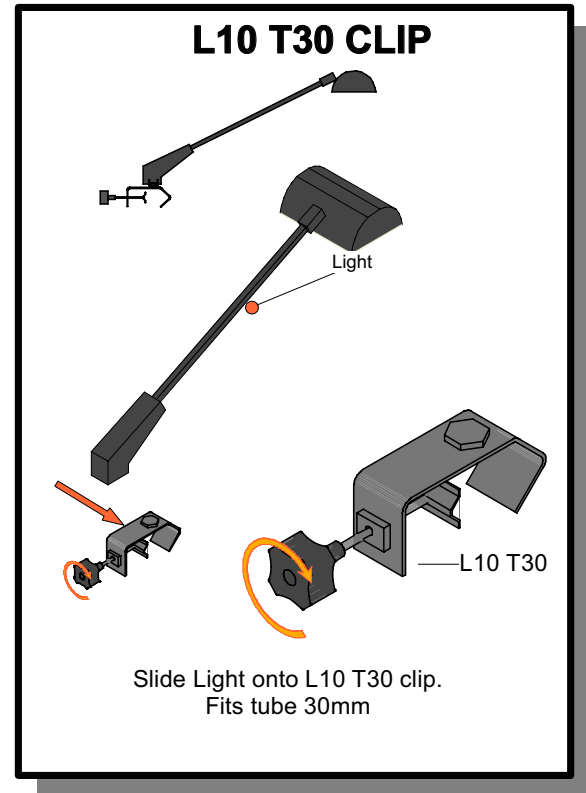
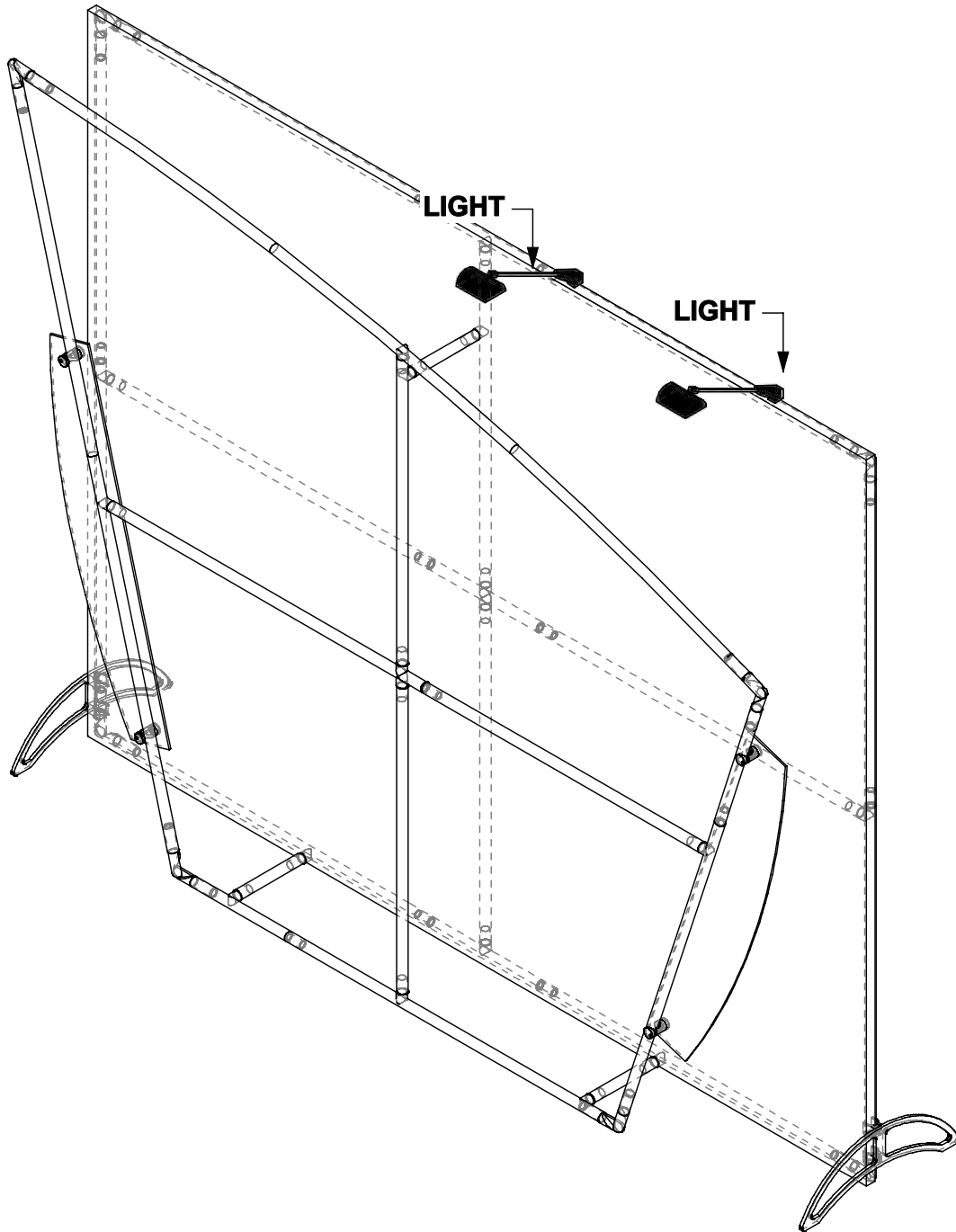
Step 5.

Attach wings to front frame where designated in diagram. Use attachment detail below.

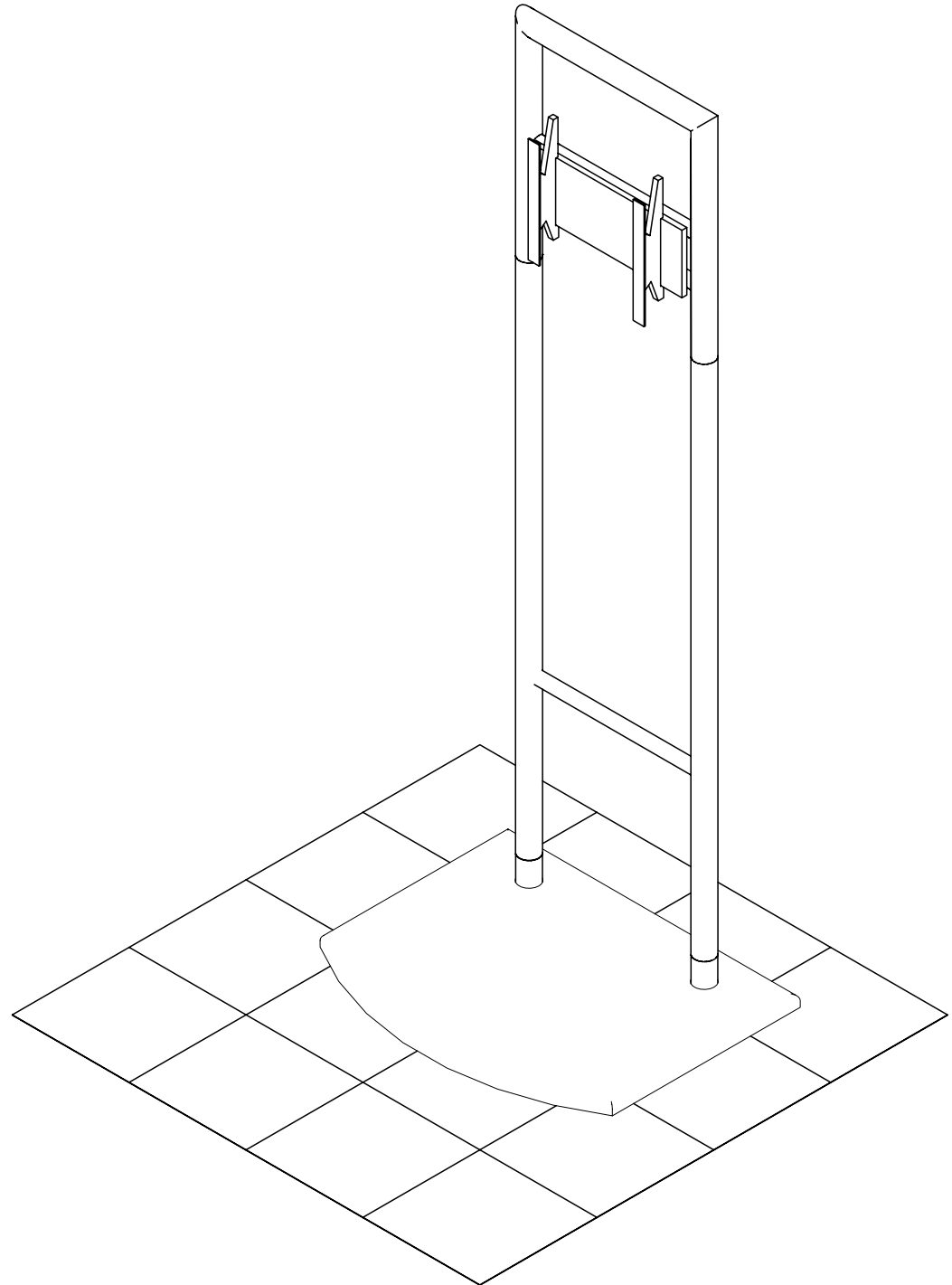
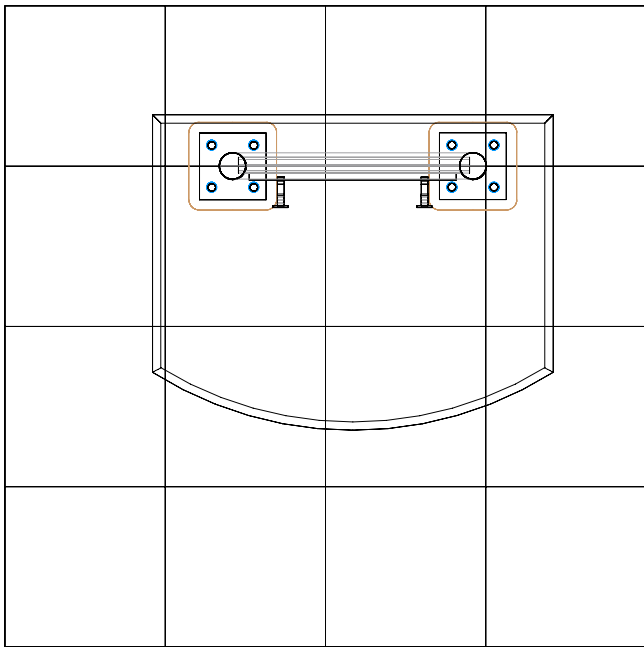


Step 6.

Attach lights to back frame as detailed in diagram below.

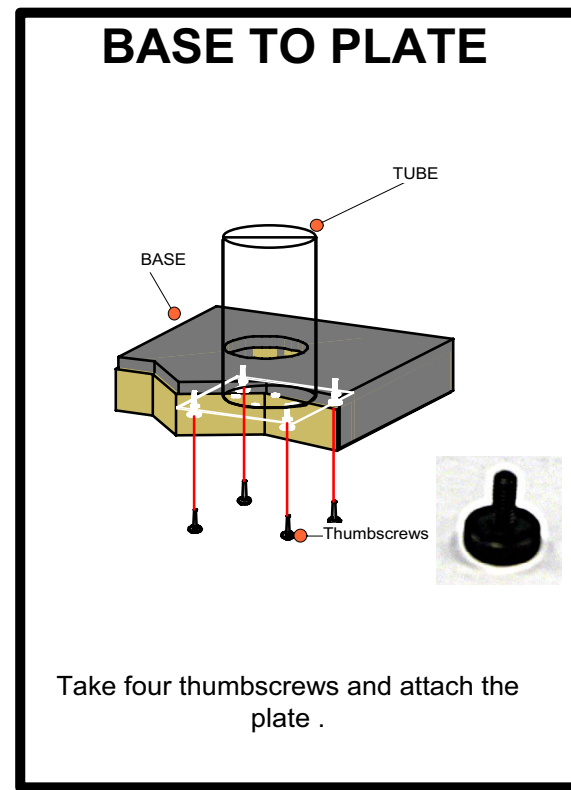
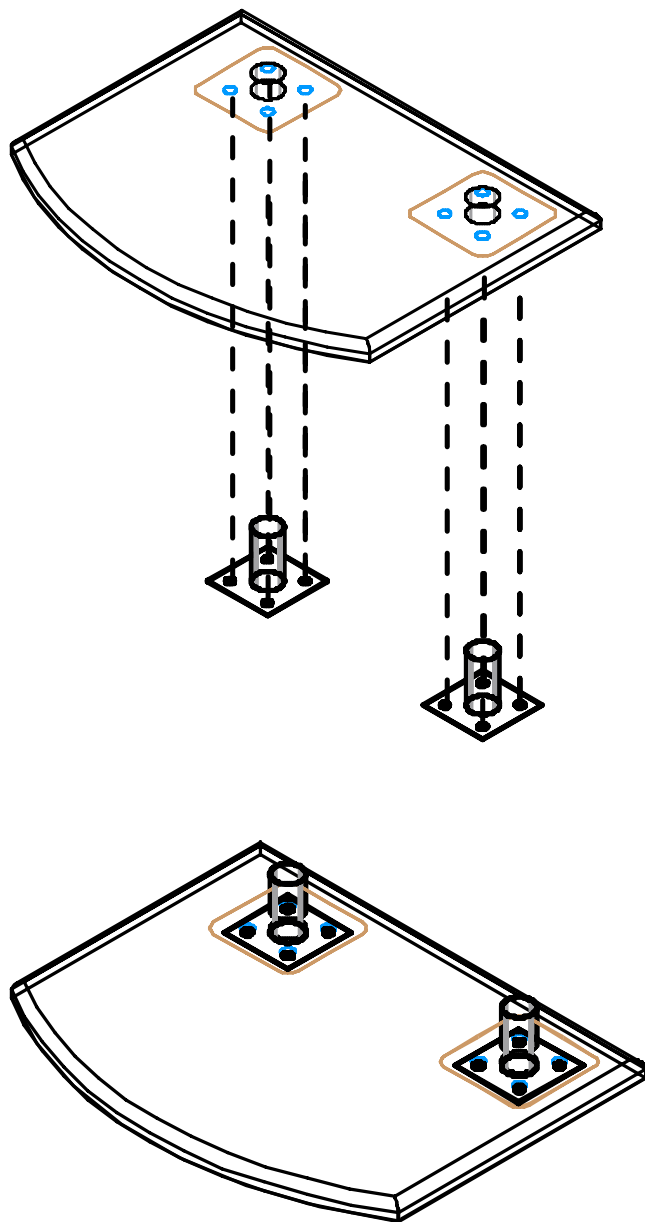


Parts included	
Part Label	Qty
Upper frame	x1
Lower frame	x1
Joiner	x4
Base plates	x2
Base	x1
Monitor bracket	x1



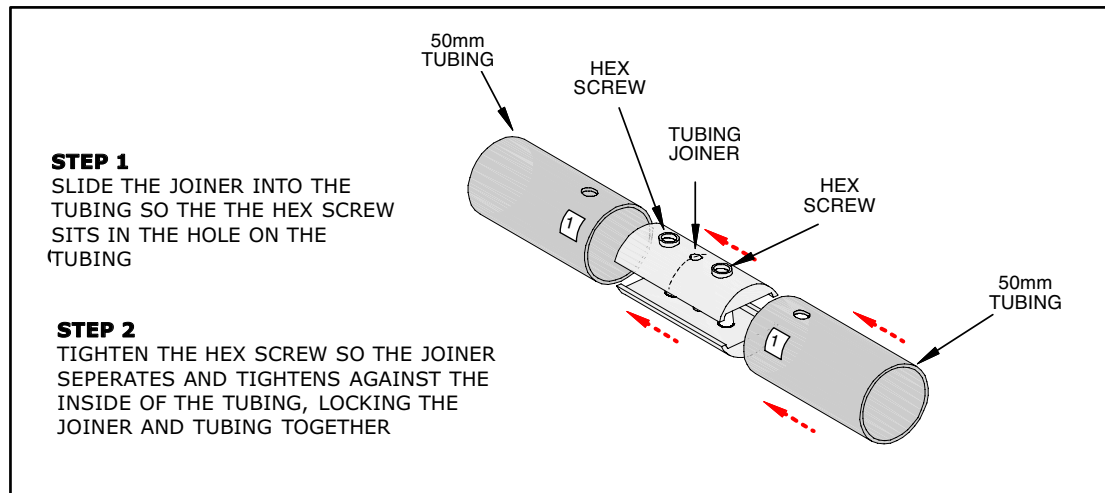
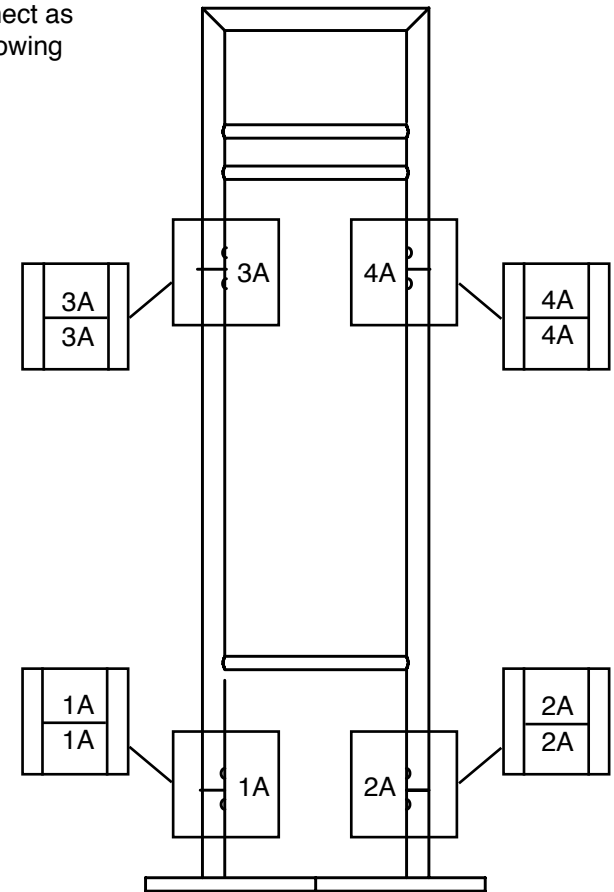
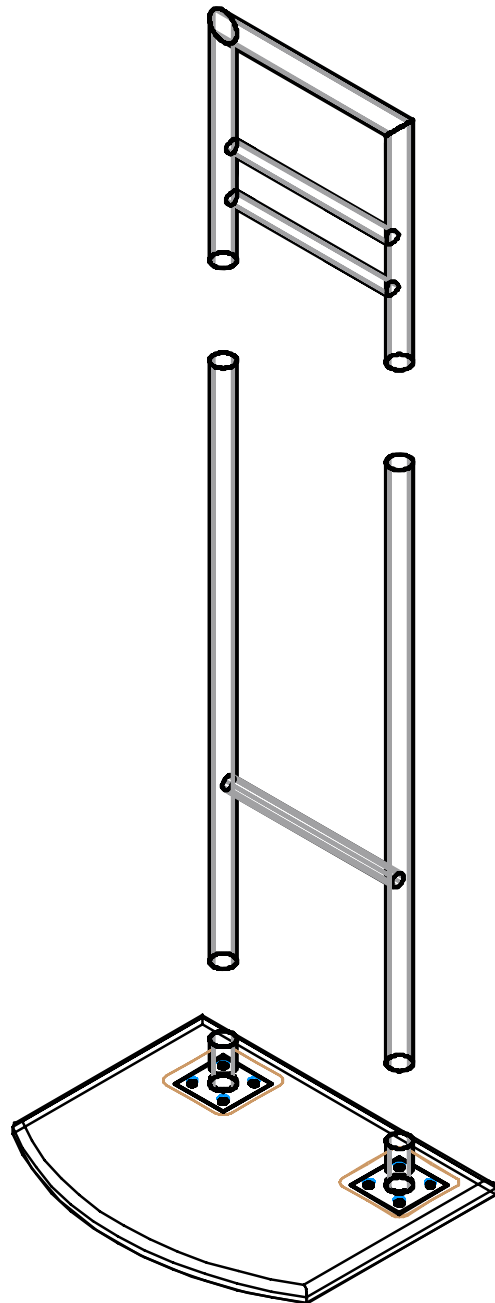
Step 1.

Connect the plates to the base using four screws per plate as shown in the attachment detail below. Assure holes on tubing are facing inward.



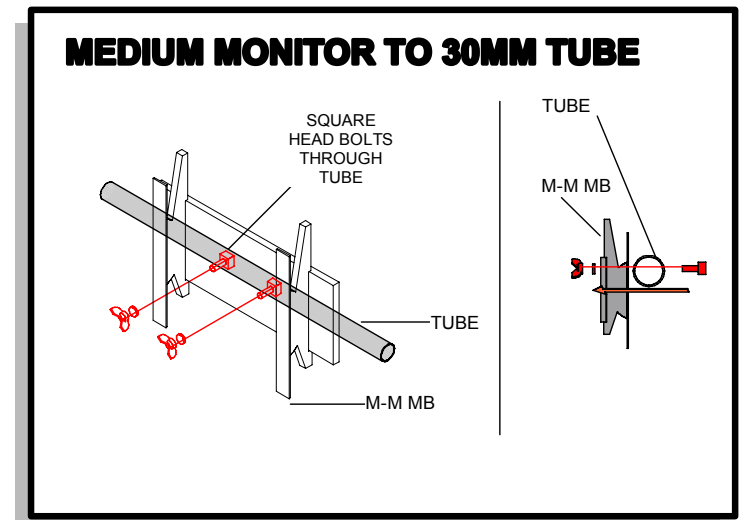
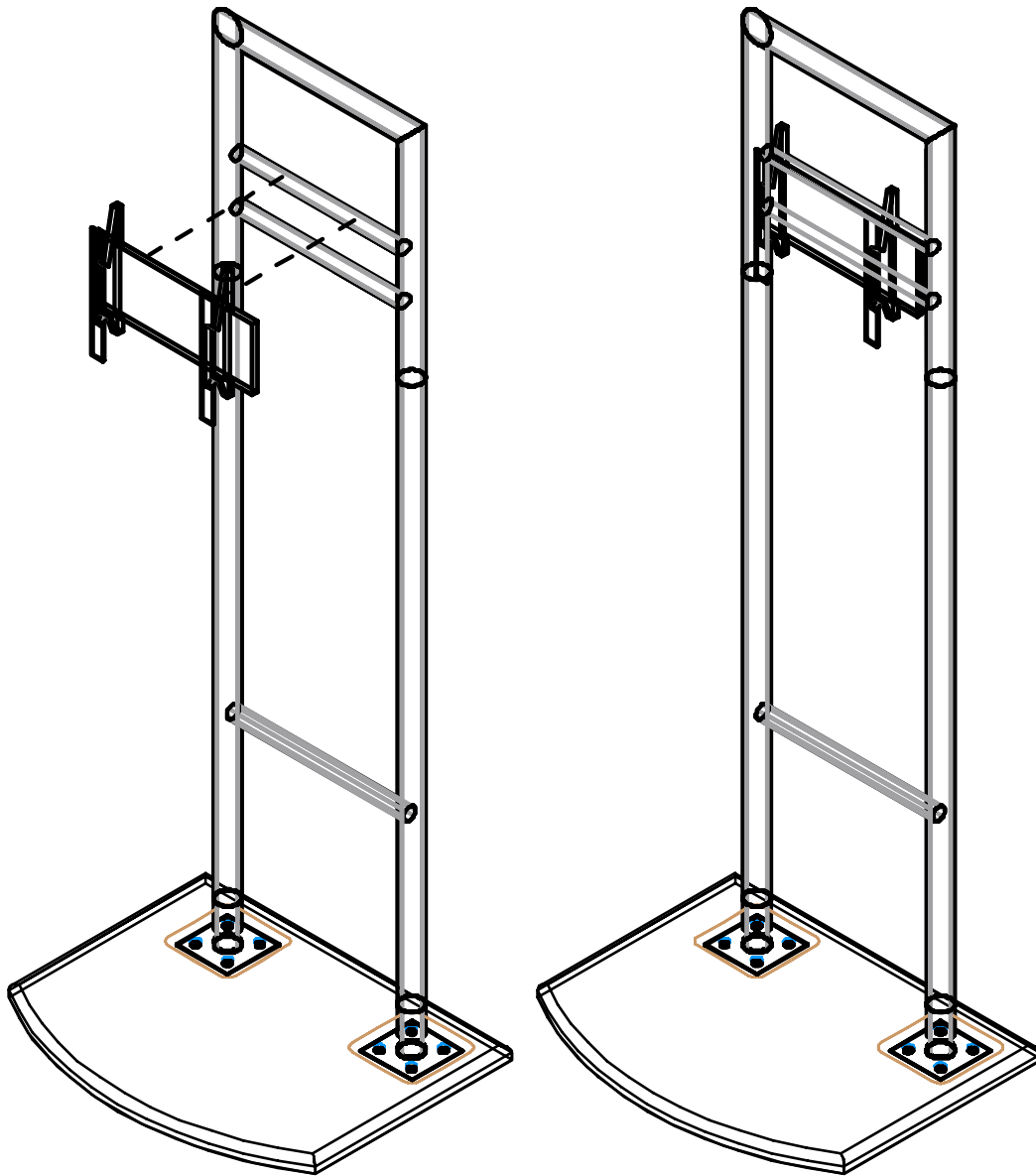
Step 2.

Attach the lower frame to the base plates at points 1A and 2A following the labels. Use the joiner to connect as shown in the attachment detail below. Attach the upper frame to the lower frame at points 3A and 4A following the labels. Use the joiner to connect as shown in the attachment detail below.



Step 3.

To attach the monitor mount, put square head bolts through the back of the pre-drilled tube. Slide monitor mount onto bolts and secure with wingnuts. Position mount where desired.



Check out these related products:



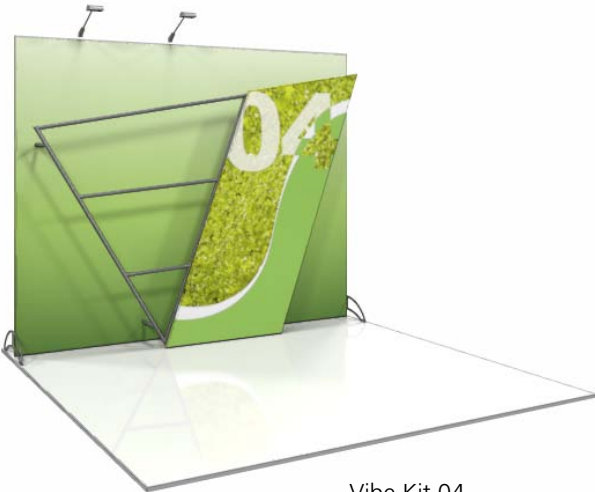
Vibe Kit 01



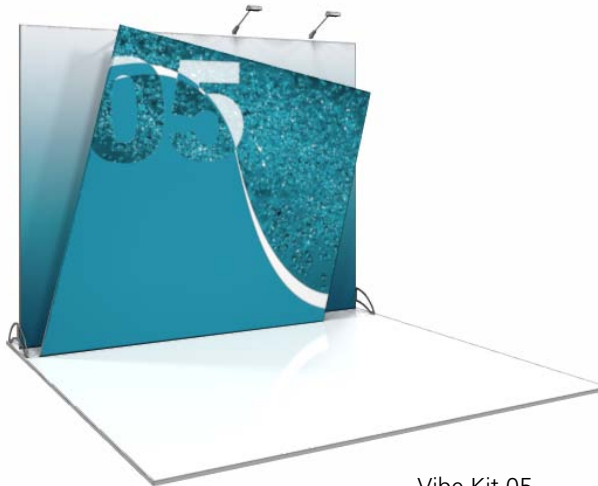
Vibe Kit 02



Vibe Kit 03



Vibe Kit 04



Vibe Kit 05



Vibe Kit 06
