

Embrace Bridge

EMB-2-BRIDGE

The Embrace® Bridge is an overhead connector used to connect two Embrace backwalls and create a flat archway, creating depth, visual interest and additional branding opportunities to any tradeshow space. This lightweight accessory features double sided push-fit graphics and the same expandable white frame and channel bars as current Embrace Backwalls. Add an optional lighting kit to enhance the display even more!



features and benefits:

- Lightweight white straight frame
- Archway used to connect embrace backwalls.
- Double sided push-fit fabric graphics
- Easy assembly
- Kit includes: bridge frame, 12 channel bars, 4 bridge connectors and carry bag
- Lifetime hardware warranty against manufacturer defects
- Optional light kit sold separately (EMB-2-BRIDGE-LT-KIT)

dimensions:

Hardware

Assembled unit:
30.71" w x 7.60" h x 88.15" d
781mm(w) x 194mm(h) x 2240mm(d)

Approximate hardware only weight:
24 lbs / 11 kgs

Graphic

Refer to related graphic template for more information.

One year graphic warranty

Visit:

<https://www.theexhibitorshandbook.com/download-graphic-templates>

Shipping

Packing case(s):
1 Box

Shipping dimensions:
34"l x 15" h x 7" d
864mm(l) x 381mm(h) x 178mm(d)

Approximate total shipping weight
(includes cases & graphics):
28 lbs / 13 kgs

additional information:

Graphic material:
Dye-sublimation SEG push-fit fabric

Lighting Power Requirements
(Additional EMBRACE-2-BRIDGE-LT-KIT):

Total wattage needed:	Total ampage needed:	Voltage used:
27W	840mA	90-265V

When included in a larger order, a different packaging solution will be provided to accommodate all contents of the order. Individual packaging may no longer be provided.



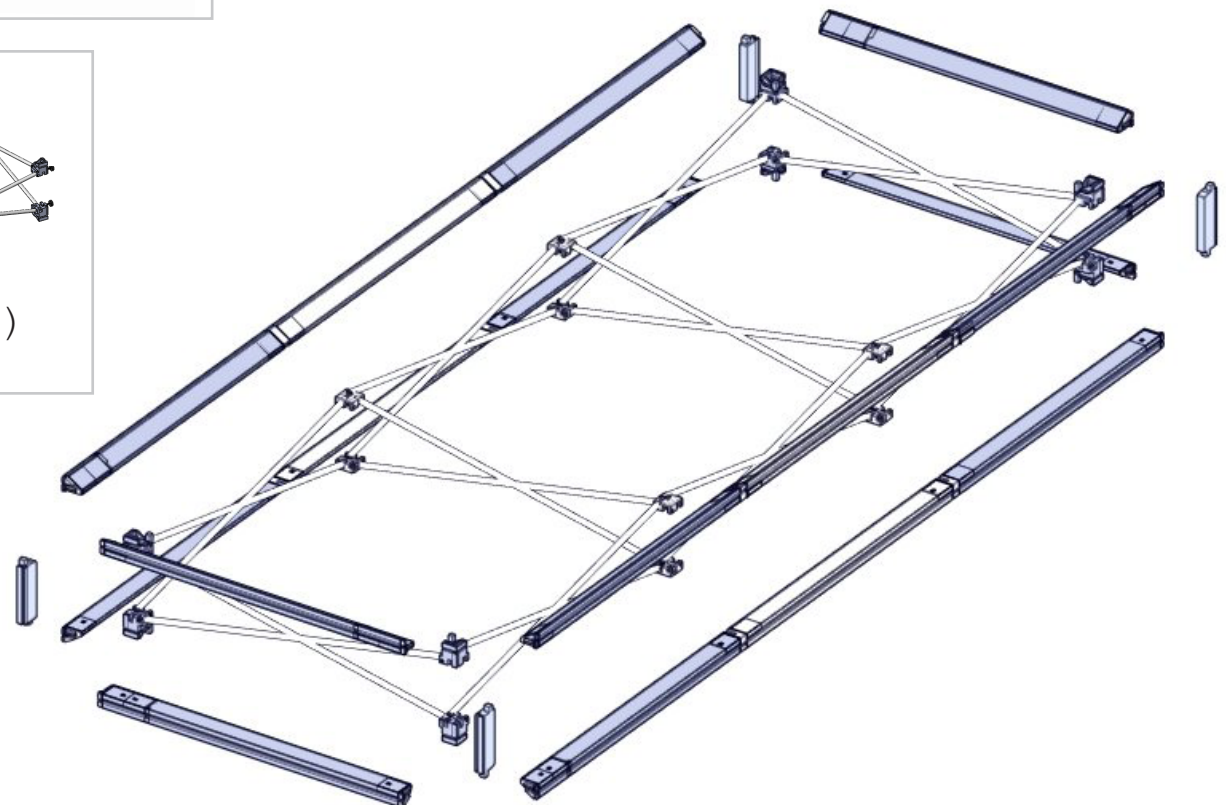
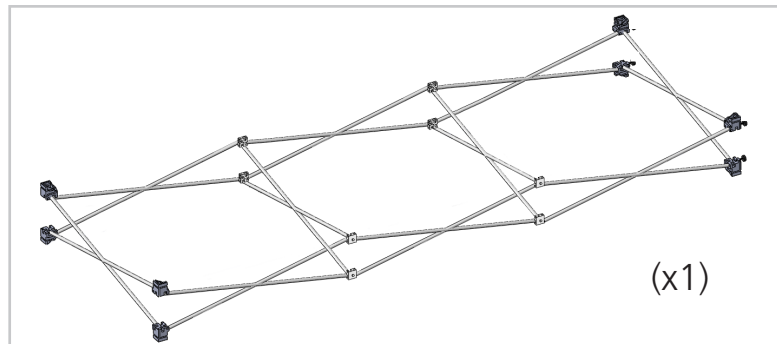
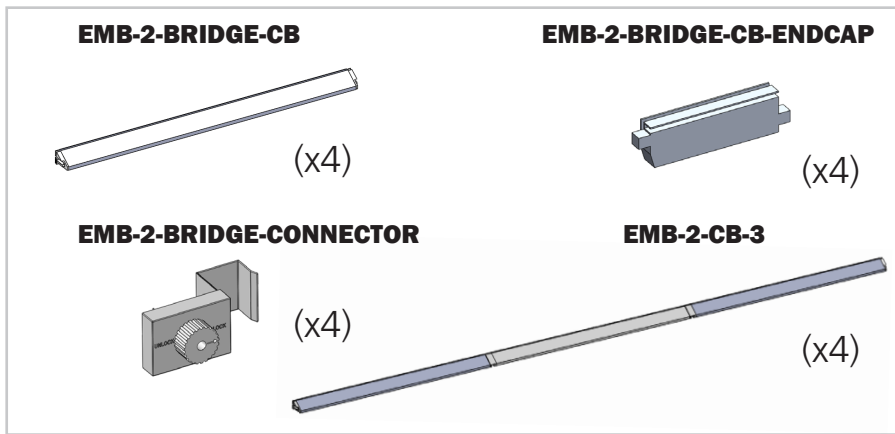
This product may include the following materials for recycle:
aluminum, select wood, fabric, cardboard, paper, steel, and plastics.

2 person assembly recommended:



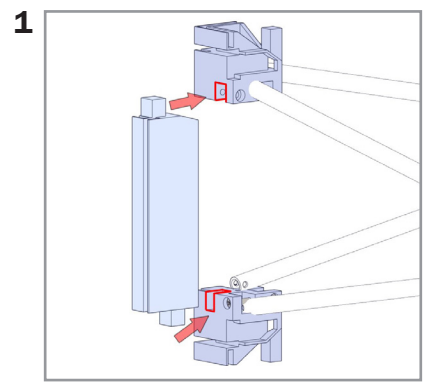
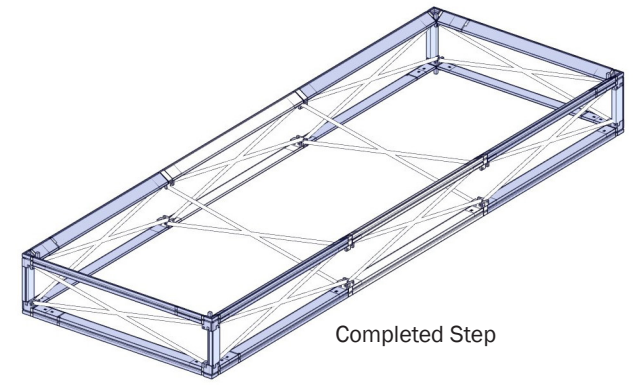
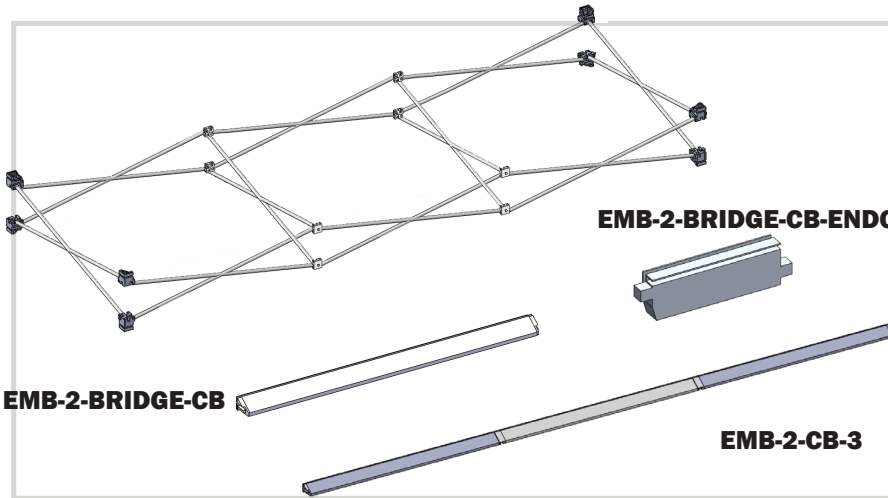
We are continually improving and modifying our product range and reserve the right to vary the specifications without prior notice. All dimensions and weights quoted are approximate and we accept no responsibility for variance. E&OE. See Graphic Templates for graphic bleed specifications.

Included in Your Kit:

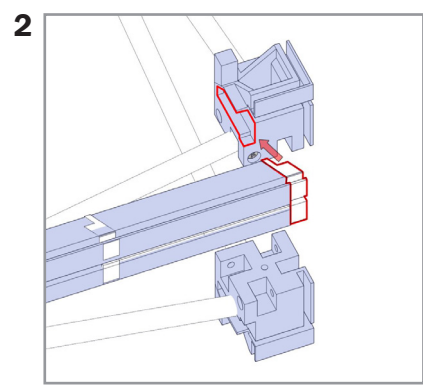


Bridge Frame Assembly

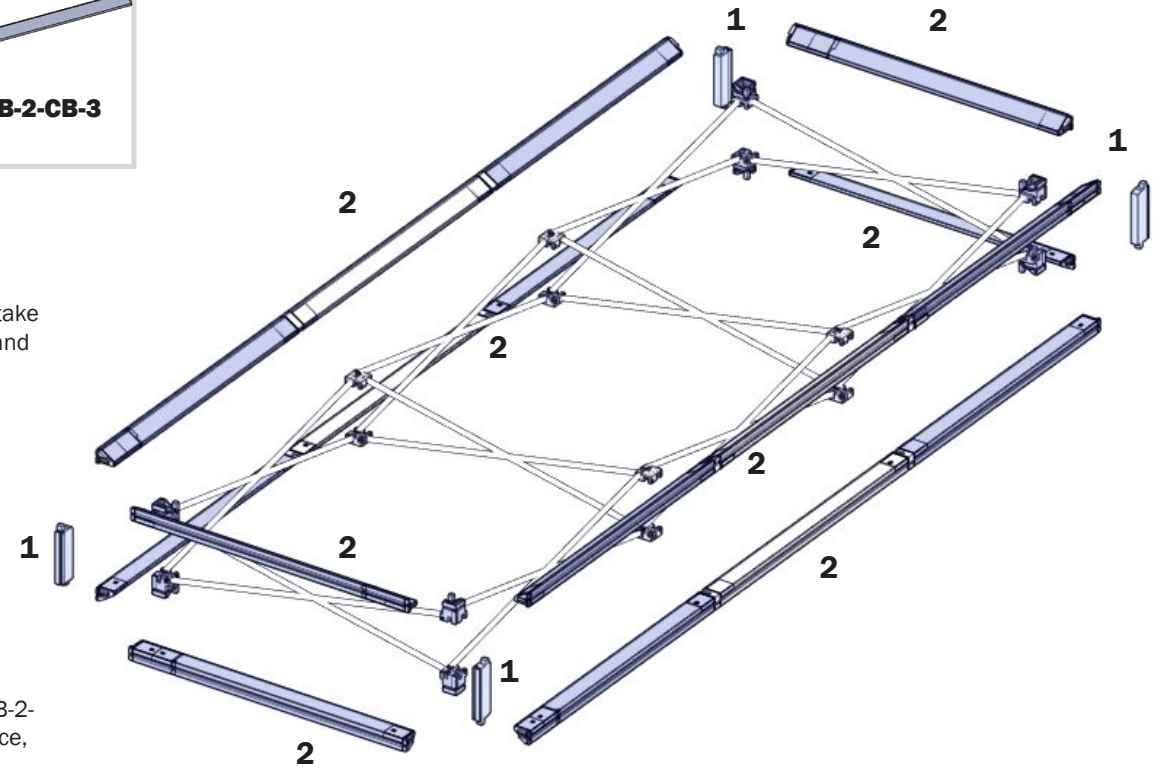
For this step you will need:



After expanding your bridge frame take the endcap channel bar and slide and lock the endcap into place.

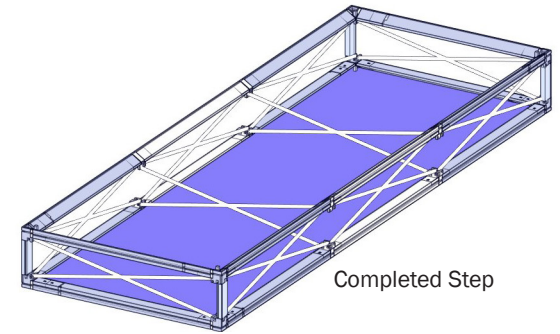
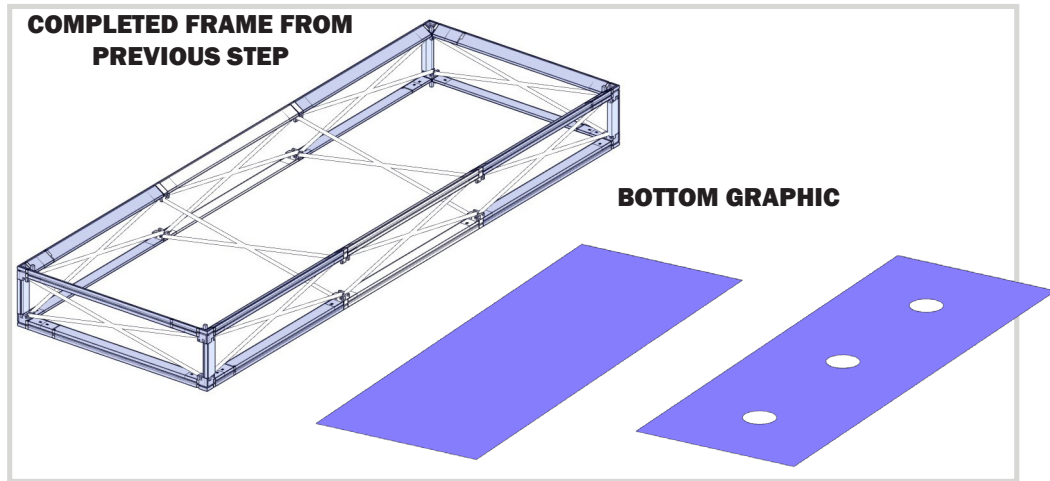


Both the EMB-2-CB-3 and the EMB-2-BRIDGE-CB lock and slide into place, similar to the endcap.

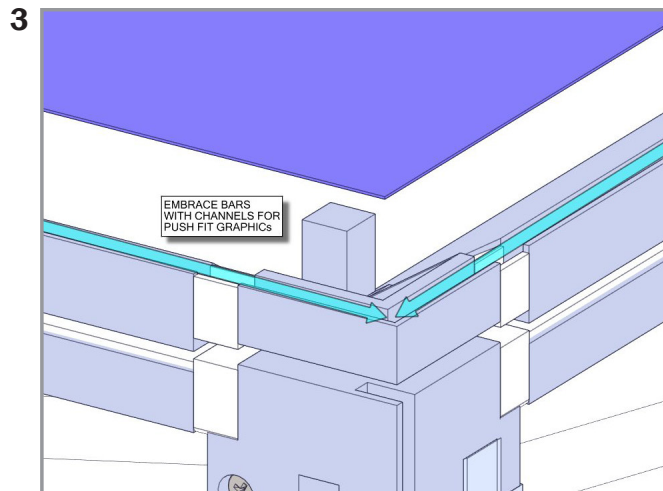


Bottom Graphic Attachment

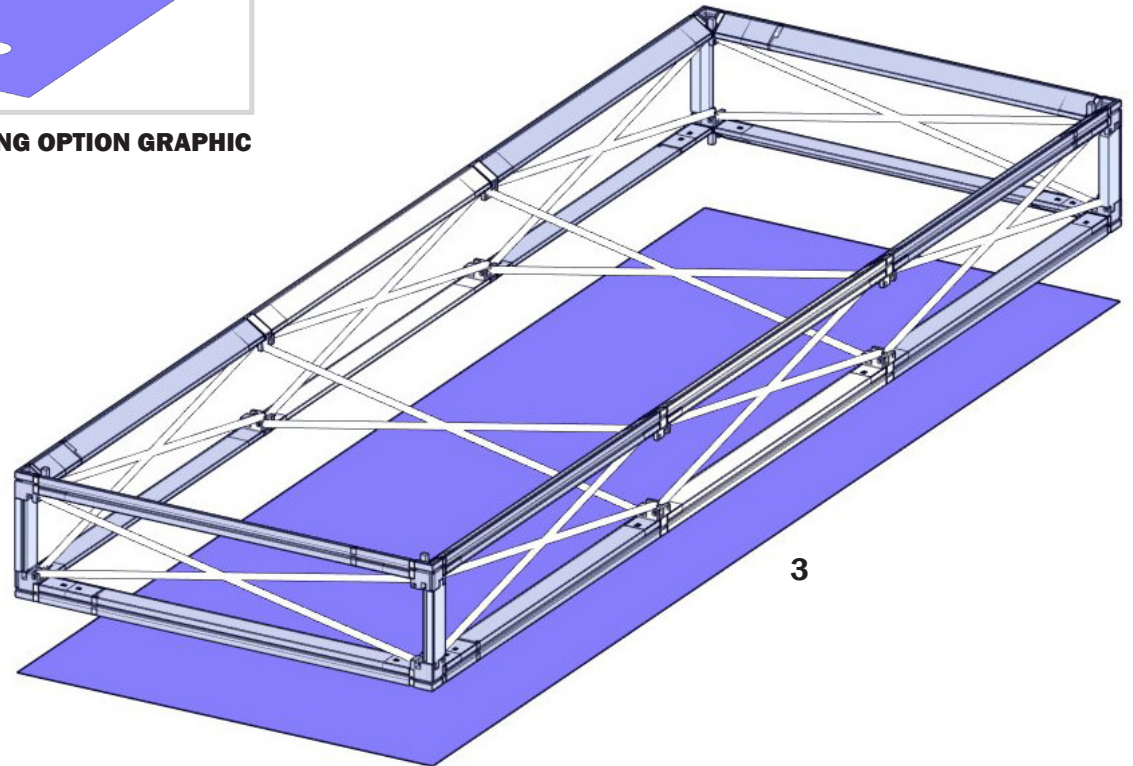
For this step you will need:



***LIGHTING OPTION GRAPHIC**

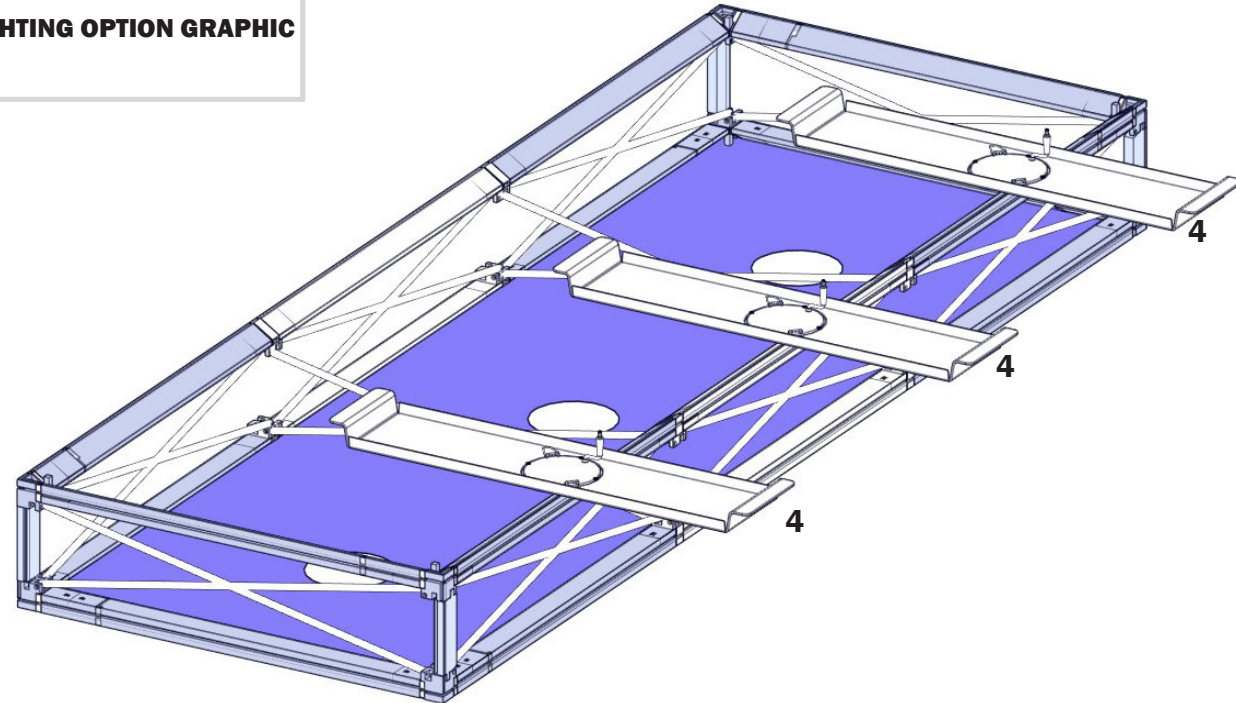
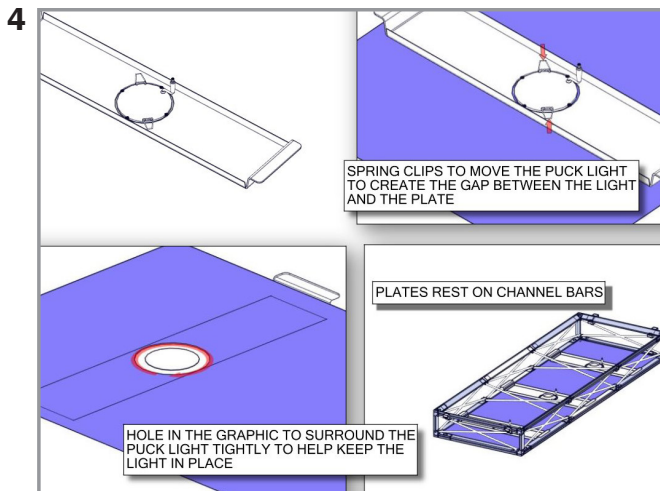
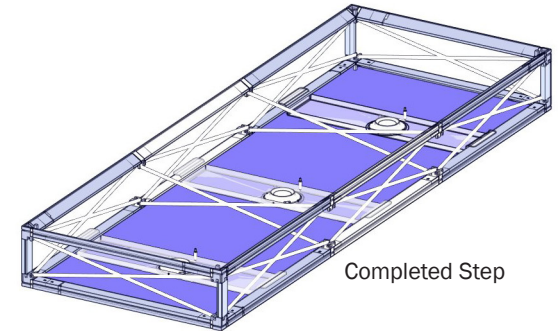
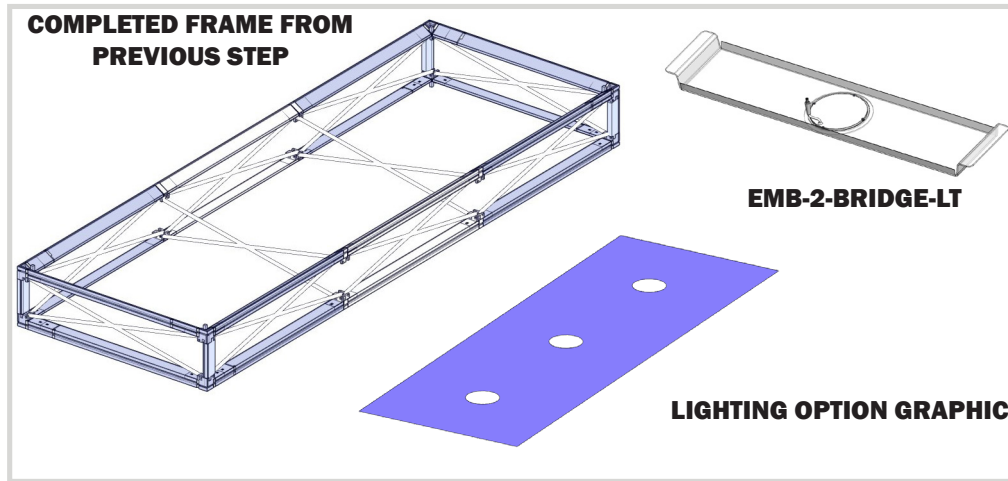


Push the ends of the pushfit graphics into the channels of the bottom of the embrace frame.



Attaching the Lighting Option

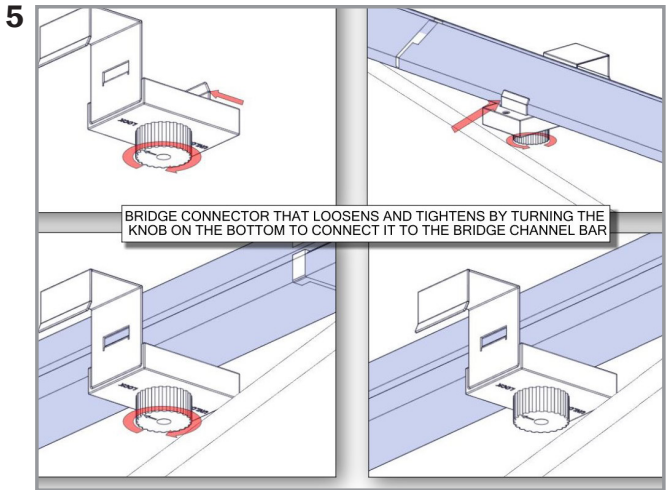
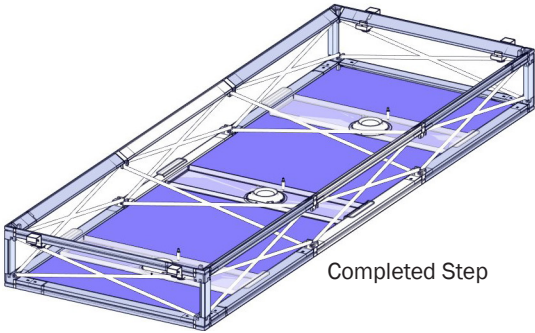
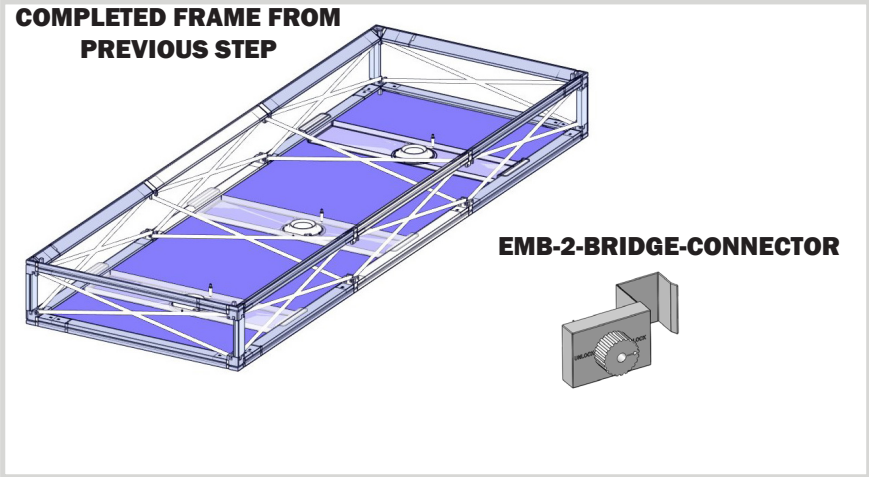
For this step you will need:



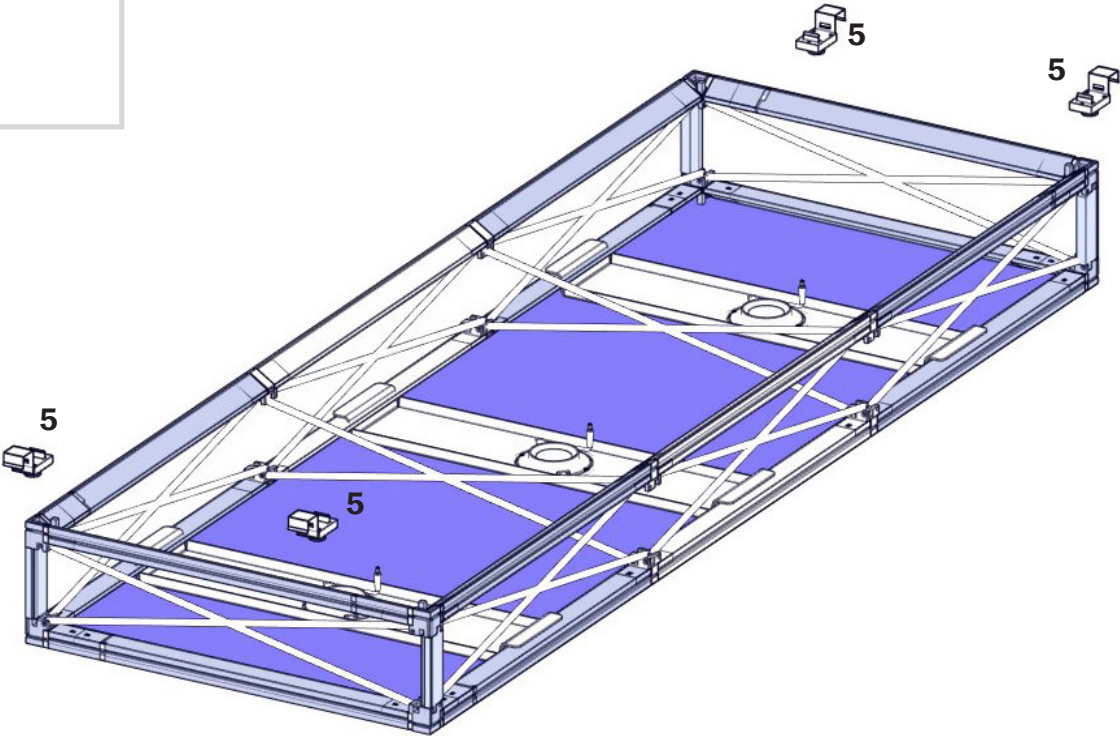
The lighting plates are easily installed. The Plates simply rest on the lower channel bars. For the lighting option you will have a lower graphic with holes. The plates have spring clips which will allow you to adjust the puck light. You will place the circular edges of the graphic cut out along the rim of the light and snap the clip down that way the graphic will sit between the edge of the light and the plate. This will keep your lights in place.

Attaching Bridge Connectors

For this step you will need:

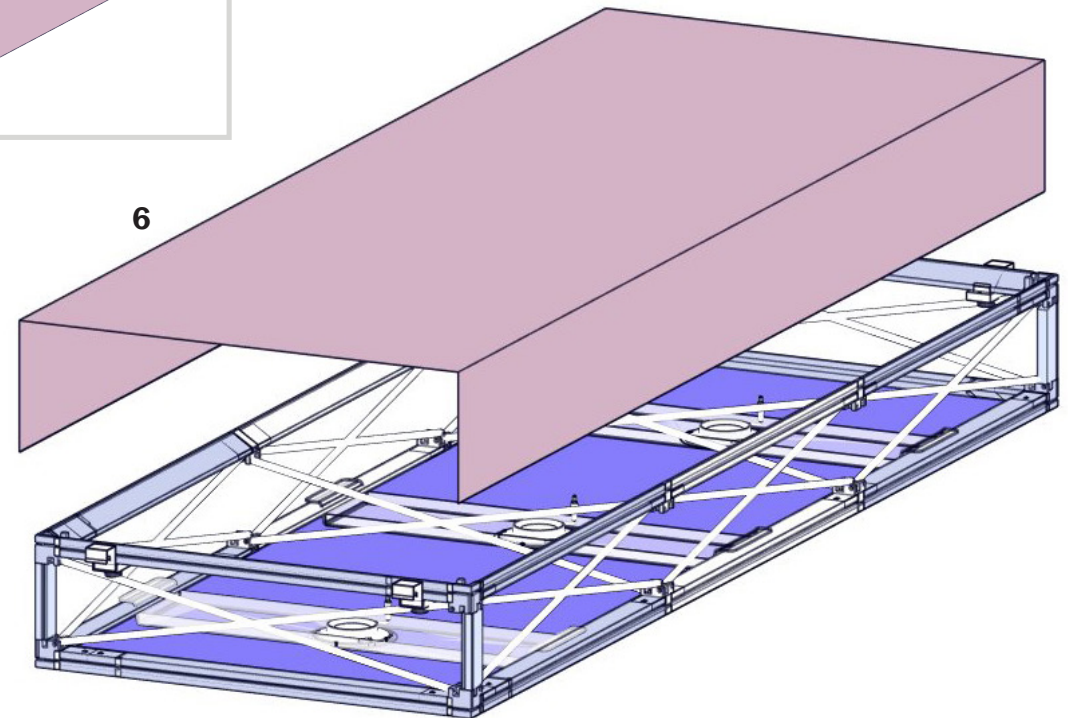
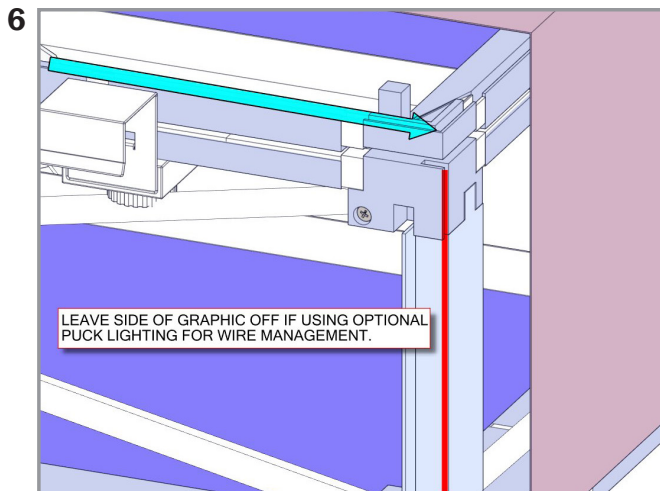
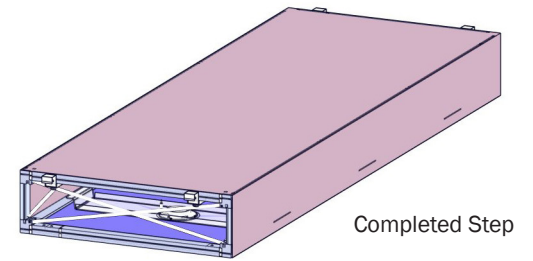
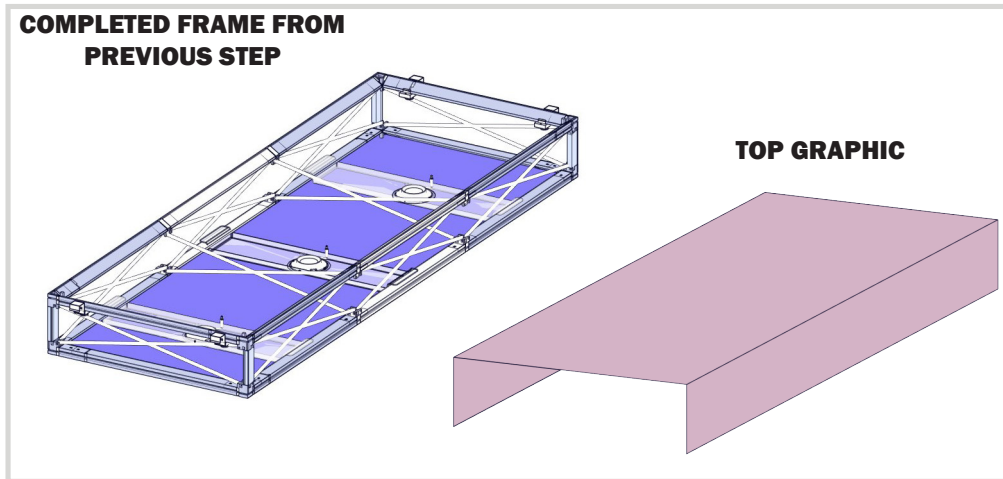


To attach the Bridge connector, simply turn the knob to tighten the end of the connector around the channel bar.



Top Graphic Attachment

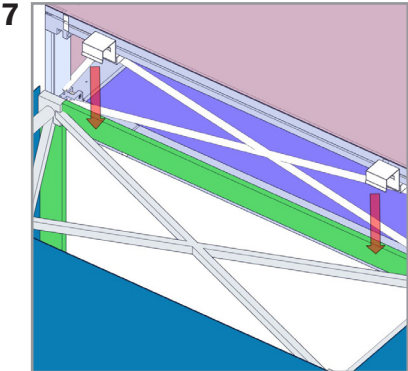
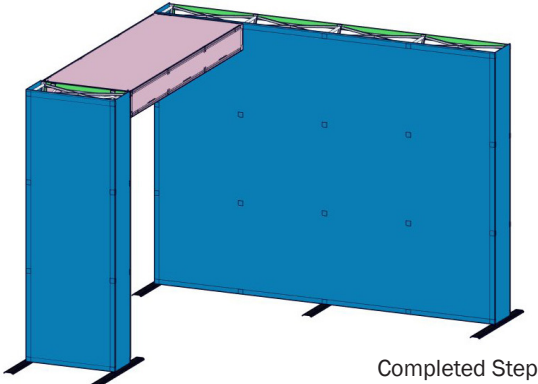
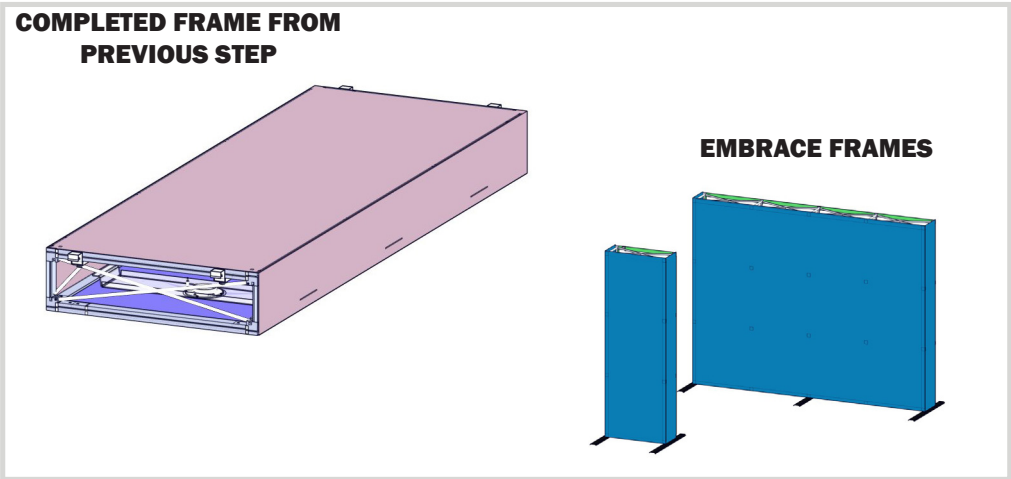
For this step you will need:



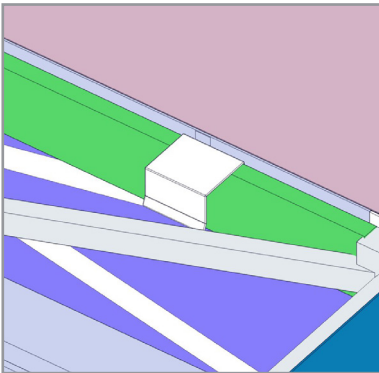
Similarly to the bottom graphic simply push the pushfit graphic ends into the channel of the channel bars. If you are using the lighting option you'll want to wait to push in the sides so you can more easily connect your wire management when the Bridge is installed.

Attaching Bridge to Embrace Frames

For this step you will need:



With your connectors attached, lift the bridge over the top of the 2 Embrace frames it will be resting on and slide down.



The bridge should be secure and the accessory installation complete.

