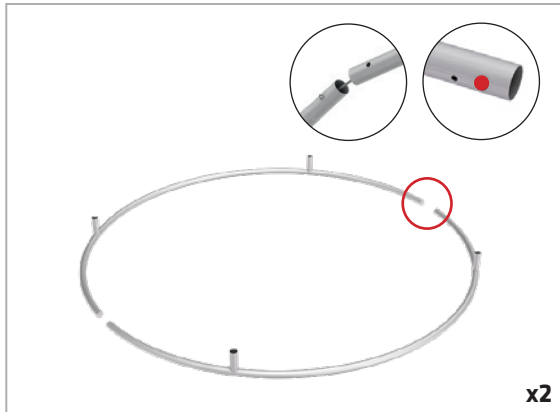


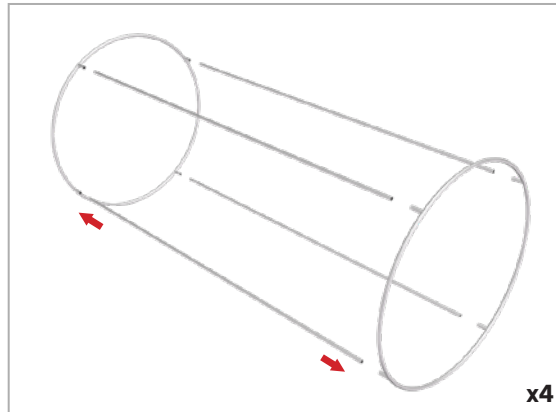
Set Up Instructions

BLIMP CSRT - CIRCULAR XL TOWER

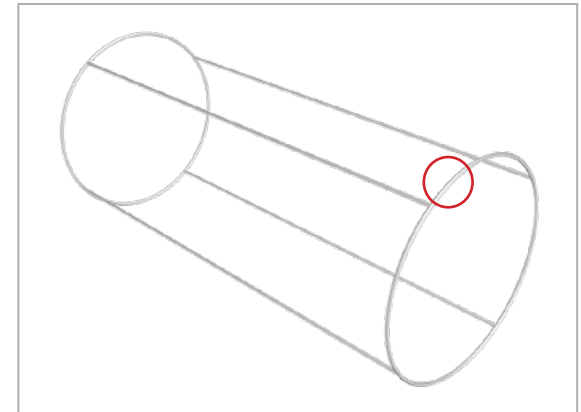
Step 1: Assemble the circular frame sections of the tower by pushing and pulling pipes together. Connect all corner sections to longer sections of the frame by matching shape symbols on pipes.



Step 2: Assemble and install the x4 vertical support poles.



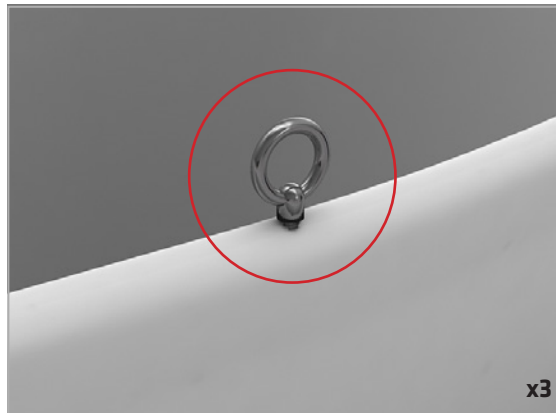
Step 3: Eyebolt holes mark top of tower. Refer to step 4.



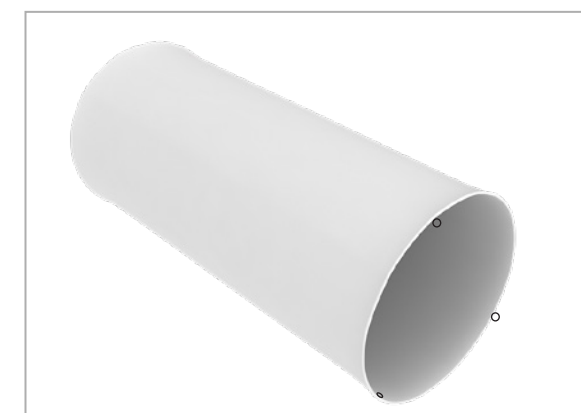
Step 4: Slide graphic over frame and zip closed at bottom. **Important! Line up holes in top of frame with holes in graphic.**



Step 5: Install eyebolts into top of frame through graphic holes.



Step 6: Tower complete.

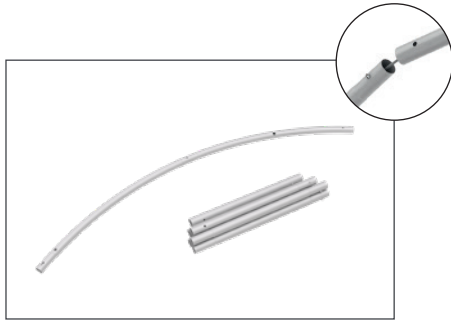


CONTINUED...

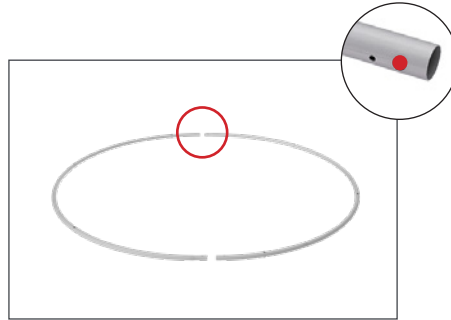
Set Up Instructions

BLIMP CSRT - CIRCULAR XL TOWER

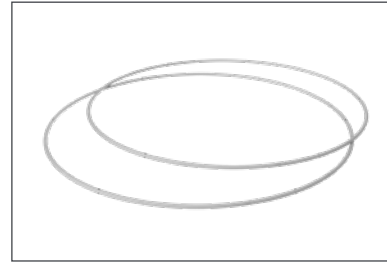
Step 7: Assemble the different frame sections by pushing and pulling pipes together.



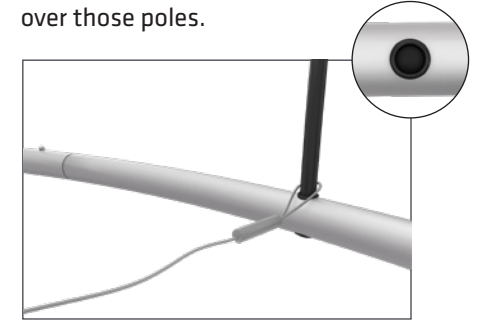
Step 8: Connect all corner sections to longer sections of the frame by matching shape symbols on pipes.



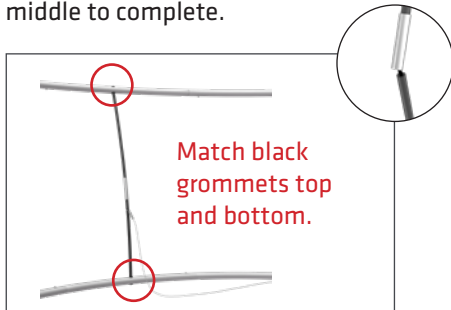
Step 9: Align two frames together making sure holes face each other.



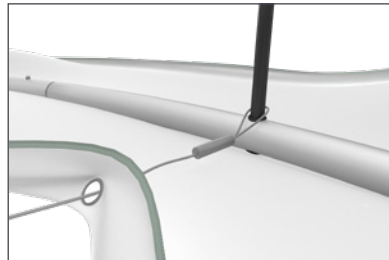
Step 10: Push all support poles into one frame. **Step 11:** Locate all the poles pushed into black grommets and place one end of a cable eyelet over those poles.



Step 11: Align top frame to bottom frame and push support poles into the frame. With some force connect the support poles in the middle to complete.

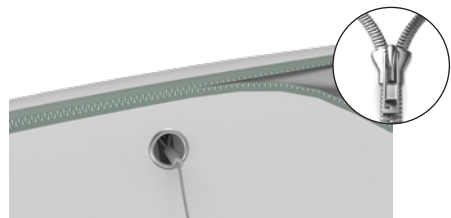
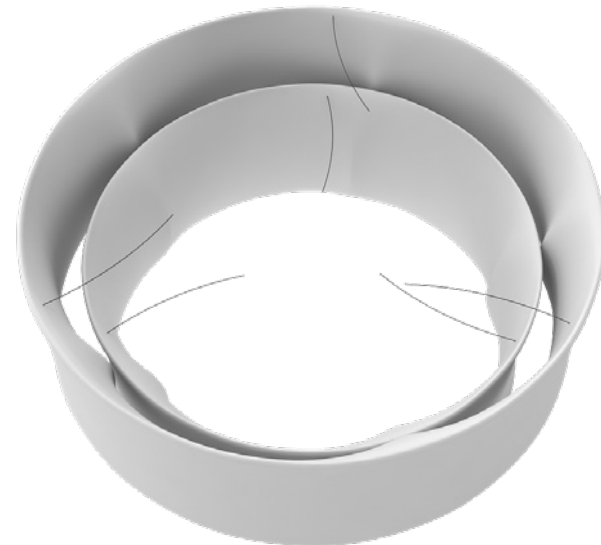


Step 12: Unzip print and place one frame inside. Position holes on frame to align with eyelets in graphic. Thread cable through eyelet. Repeat for all eyelets.



Step 13: Complete both hanging Blimps with cables on top.

x2



Step 8: Zip graphic closed around top of frame. Pull all cables out until inside loop is flush with eyelets. Attach all cables together at a single point for hanging.

CONTINUED...

Set Up Instructions

BLIMP CSRT - CIRCULAR XL TOWER

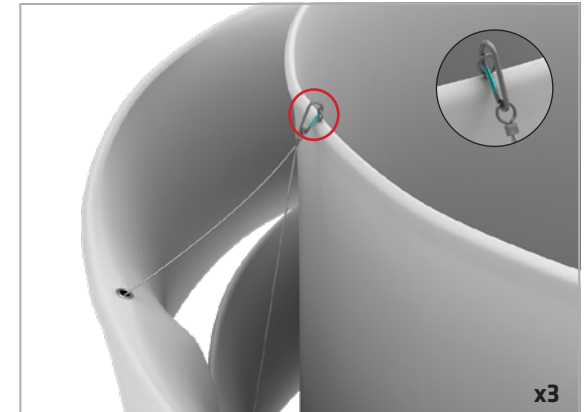
Step 14: Turn hanging Blimps on their side and insert tower in to both tubes to a suitable position. Keep cables free and out of the way.



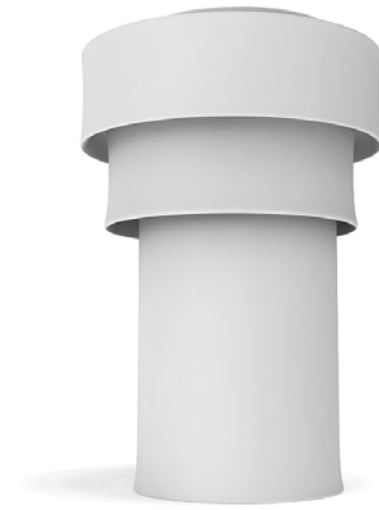
Step 15: Make sure Blimp Graphics and cables are aligned to the Tower Graphics and Eyebolts.



Step 16: Connect the cables from the hanging Blimps to the eyebolts of the Tower.

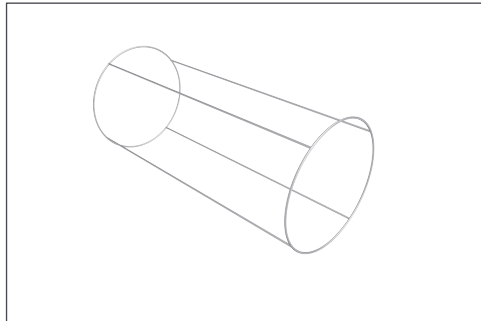


Step 17: Stand Tower up with as many people as possible to reduce strain and weight on any one eyebolt.



Set Up Instructions

Step 1:



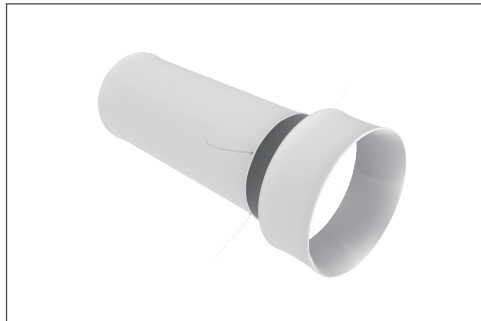
Step 2:



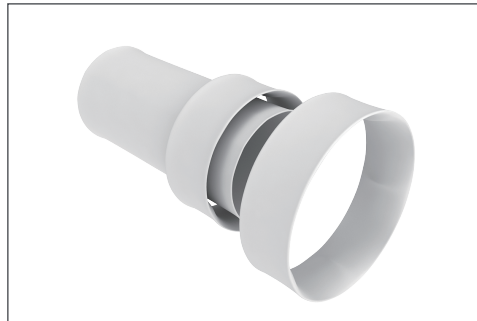
Step 3:



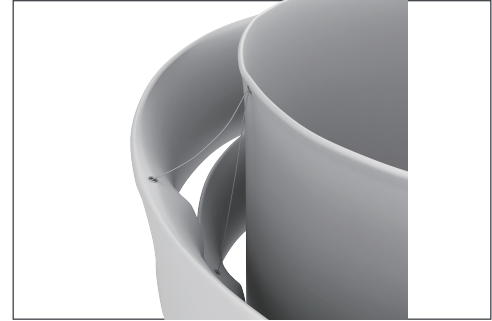
Step 4:



Step 5:



Step 6:



Step 7:



Step 7:



Step 8:

