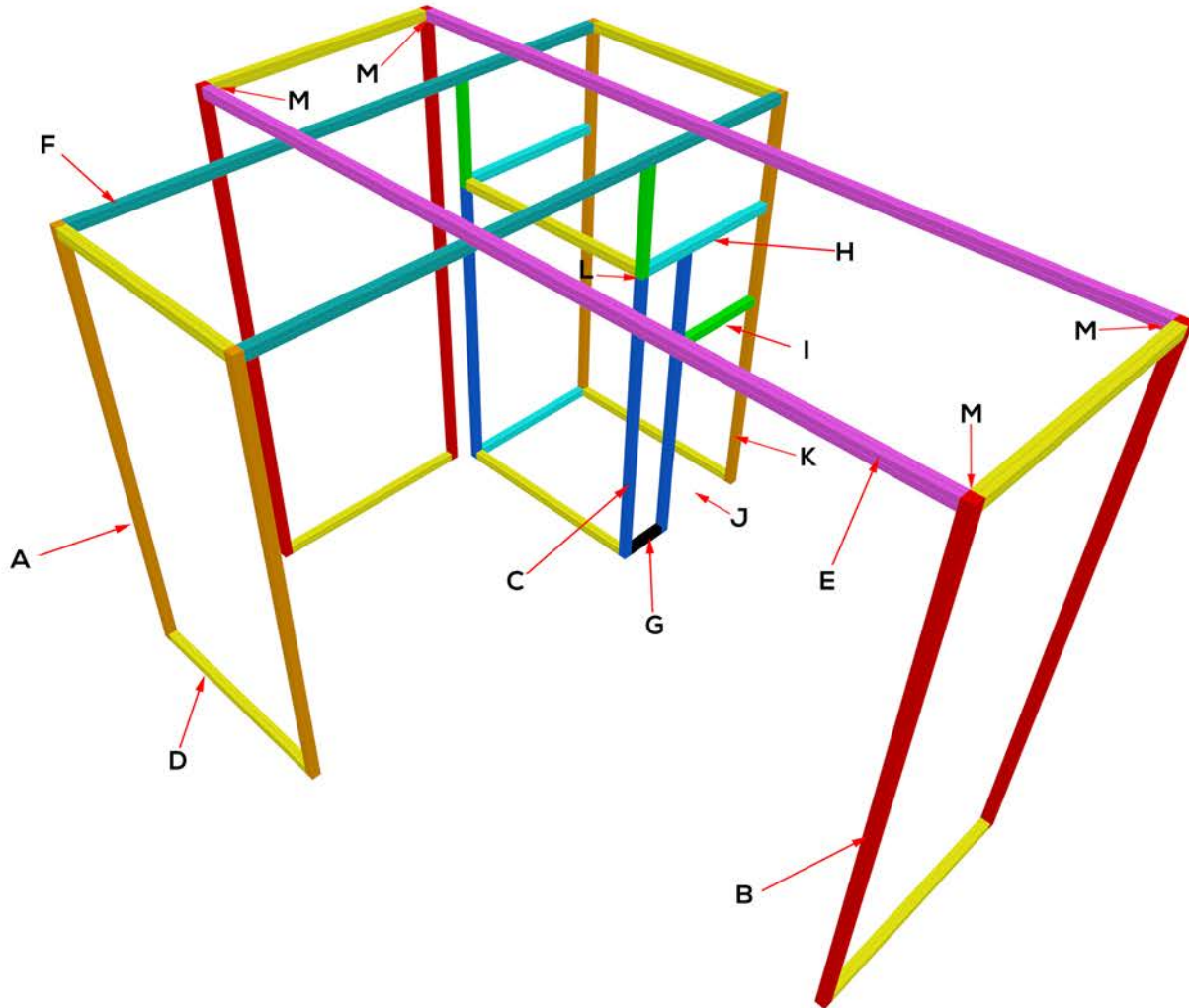
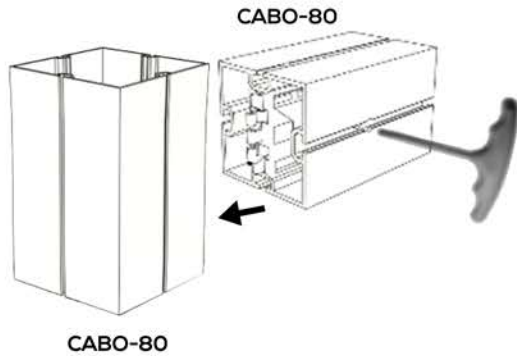


Frame Assembly



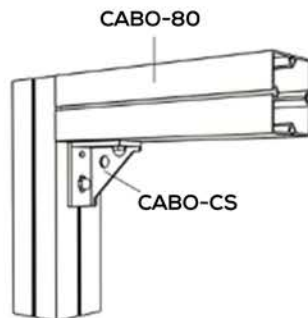
REF	SKU	QTY	LENGTH
A	CABO-80	8	76.4"
B	CABO-80	8	86.1"
C	CABO-80	6	56.9"
D	CABO-80	10	74.8"
E	CABO-80	6	76.9"
F	CABO-80	4	95.85"
G	CABO-80	1	16.3"
H	CABO-80	3	55.3"
I	CABO-80	3	35.8"
J	CABO-DOOR	1	n/a
K	CABO-80-ADPT	16	n/a
L	CABO-CS	4	n/a

Lock/Connector Instructions



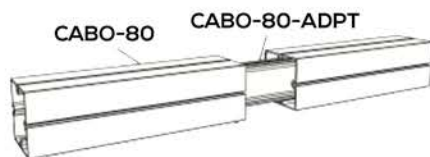
CABO-80 Profile Connection

1. Line up lock with system groove on vertical profile
2. Insert teeth of lock into groove
3. Use torx tool to tighten lock (turn clockwise to tighten)



CABO-CS Installation

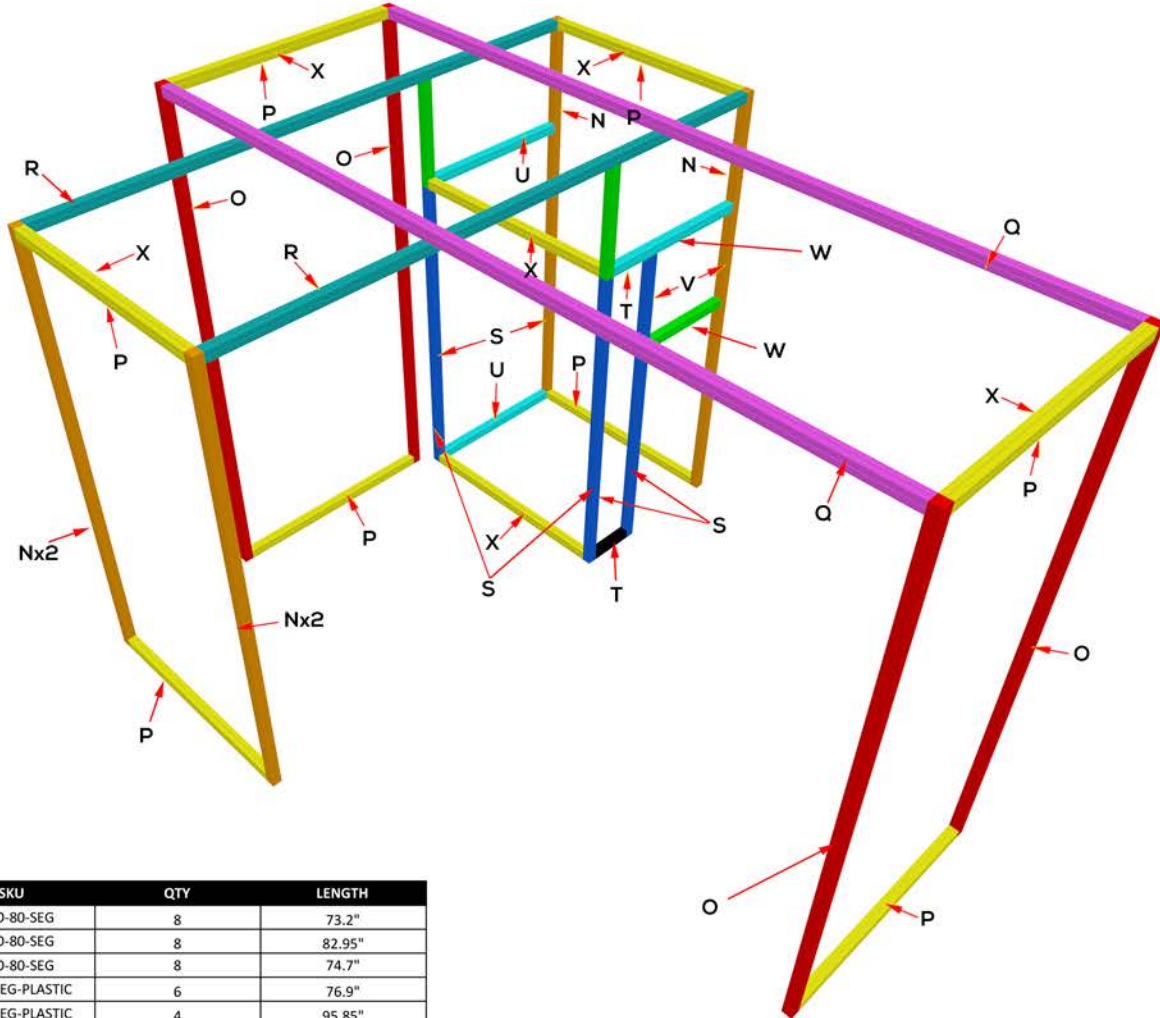
1. Insert hammerhead screws through holes in CABO-CS (make sure "hook" side of screw is on the flat side of the bracket)
2. Place CABO-CS into inside 90° corner of profiles and insert hammerhead screw into system groove on profile
3. Tighten nut on hammerhead screw to secure CABO-CS into place



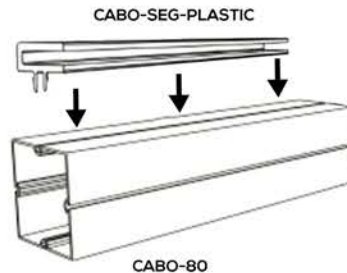
CABO-80-ADPT Connection

1. Insert CABO-80-ADPT into one CABO-80 profile
2. Slide opposing CABO-80 profile onto CABO-80-ADPT
3. Tighten screws on CABO-80-ADPT to secure profiles in place

SEG Attachments

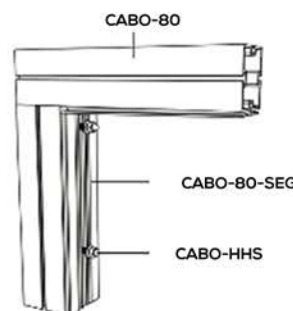


REF	SKU	QTY	LENGTH
N	CABO-80-SEG	8	73.2"
O	CABO-80-SEG	8	82.95"
P	CABO-80-SEG	8	74.7"
Q	CABO-SEG-PLASTIC	6	76.9"
R	CABO-SEG-PLASTIC	4	95.85"
S	CABO-SEG-PLASTIC	12	55.3"
T	CABO-SEG-PLASTIC	2	16.3"
U	CABO-SEG-PLASTIC	2	55.2"
V	CABO-SEG-PLASTIC	2	35.7"
W	CABO-SEG-PLASTIC	2	31.8"
X	CABO-SEG-PLASTIC	6	74.7"
Y	CABO-HHS	130	n/a



CABO-SEG-PLASTIC Installation

1. Line up clip of CABO-SEG-PLASTIC with system groove of profile
2. Press CABO-SEG-PLASTIC down to lock into place.



CABO-80-SEG Installation

1. Unscrew CABO-HHS and feed through holes on CABO-80-SEG
2. Line up CABO-80 with system groove on profile CABO-80-SEG will attach to
3. Tighten CABO-HHS clockwise to secure