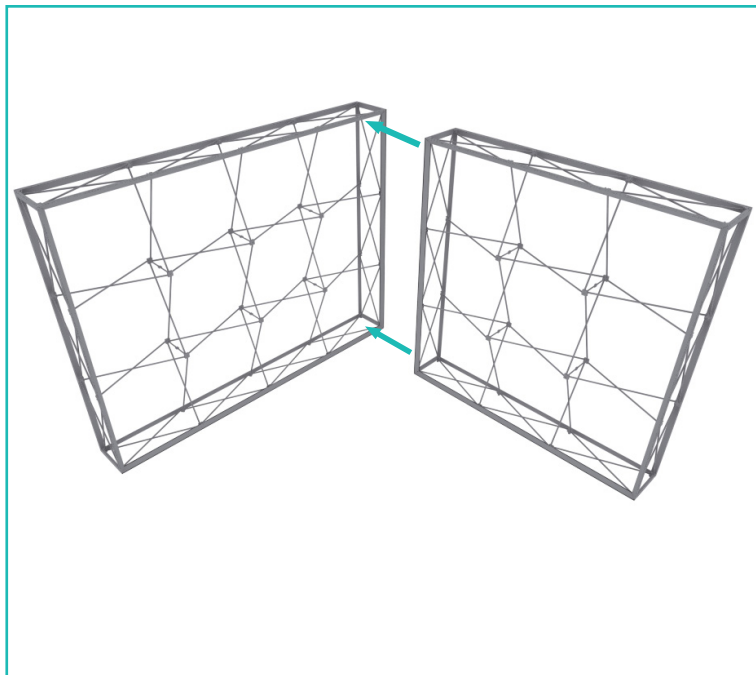


LUMIÈRE CONFIGURATION - B

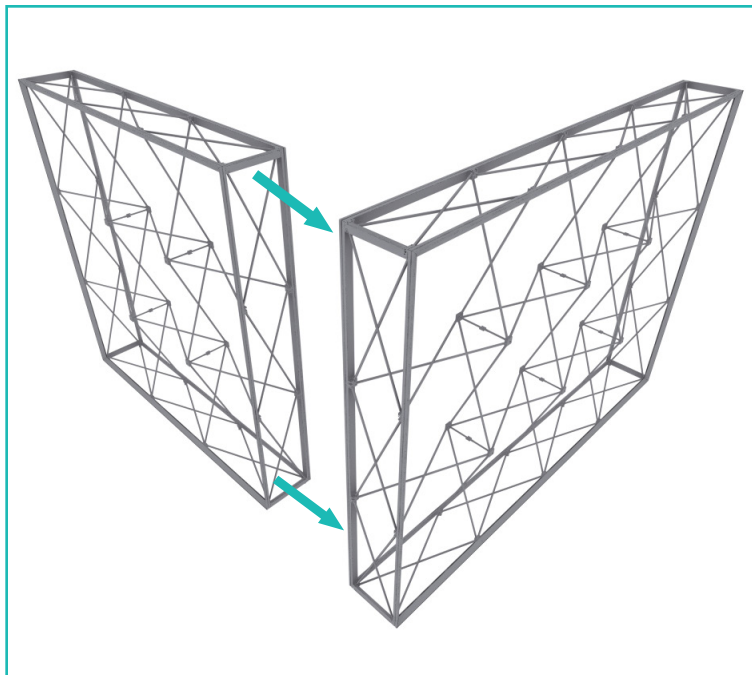
LUMIÈRE DISPLAY - SETUP INSTRUCTIONS

Connecting Return Wall

Front View



Back View



Adjoin the 3x3 frame perpendicular (90o angle) to the front side of the 4x3 frame.

Note: Rendering shown without graphics for clarity. 4x3 front side graphic must be installed before connecting frames.

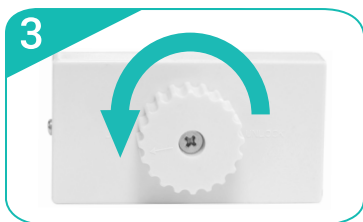
L Link Connection



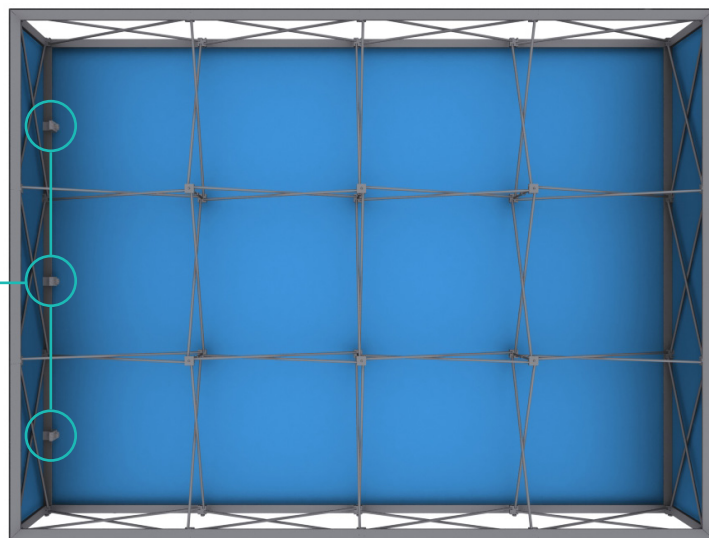
1 *Starting from behind, pull the 4x3 graphic away to make space for L Connector.



2 Slide L Connector onto the channel bars of both frames.



3 Turn dial to the left to lock the L Connector in place. Repeat for each vertical section (3 total).



*Back side of 4x3 shown above.