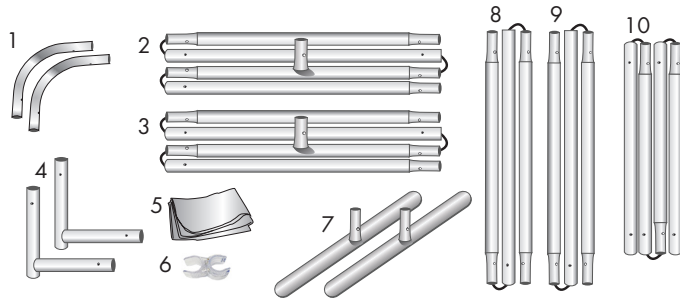


# 30FT 90" Eurofit Wall

(Three 10FT x 90" Walls connected together)

## Product Parts

- 1 - Top Corner Poles (x6)
- 2 - 4pc Top Pole (x3)
- 3 - 4pc Bottom Pole (x3)
- 4 - Bottom Corner Poles (x6)
- 5 - Graphic
- 6 - Plastic Hinge Connector (x4)
- 7 - Feet (x6)
- 8 - 3pc Left Pole (x3)
- 9 - 3pc Right Pole (x3)
- 10 - 4pc Vertical Center Pole (x3)



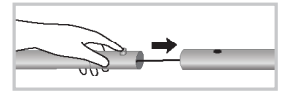
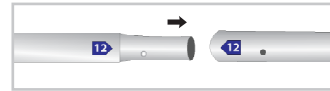
## Display Set-Up

### Step 1

Place on a clean, flat surface. Ensure you have all the components listed above. Parts listed above are for three 10 foot displays.

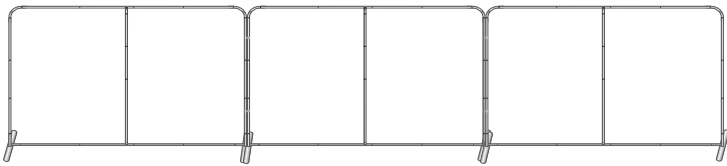
### Step 2

Assemble all the poles by connecting the corresponding numbers together while pressing the snap button as shown.



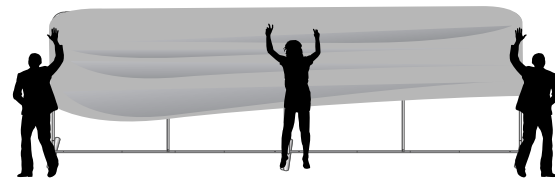
### Step 3

Place the three assembled 10 foot displays next to each other and connect to each other using two Plastic Hinge Connectors (6).



### Step 4

This will require three people to set up. The person in the middle will ensure the connections remain locked and the frames stay straight. Drape the Graphic (5) over the hardware as shown. Adjust as needed working from the top down.



## Plastic Hinge Connector

Used to connect all Eurofit Displays with 1.25" Diameter Poles.



## Storage & Care

Place all hardware parts into Carry Cases and store in a cool dry location. Recommended for indoor use only. Machine wash on gentle cycle using mild detergent. Tumble Dry No Heat. Do NOT dry clean, Do NOT Iron.