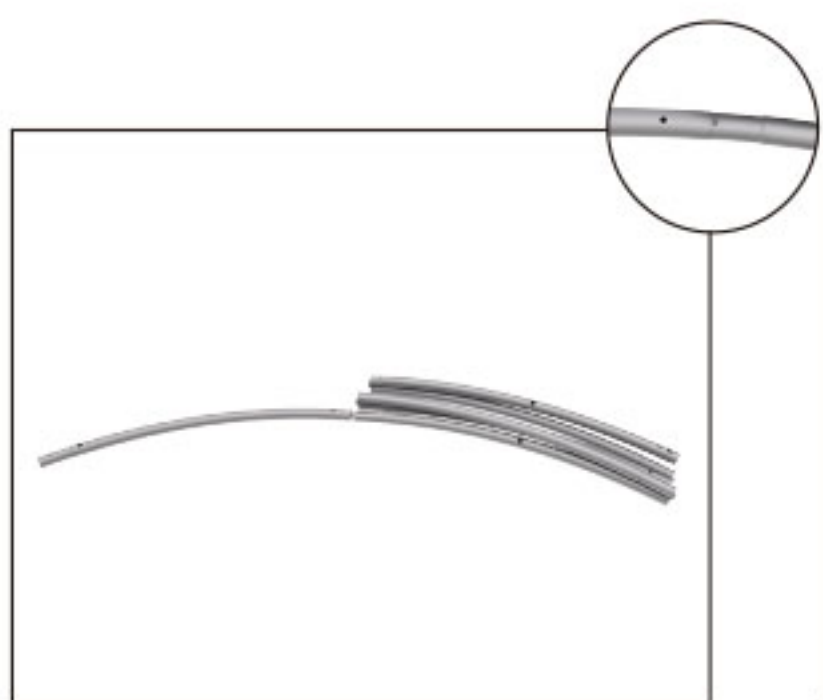
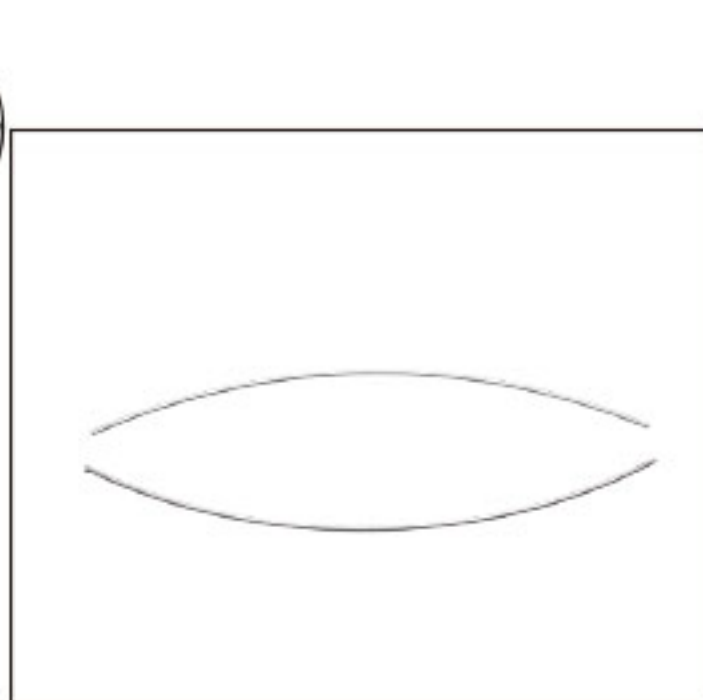


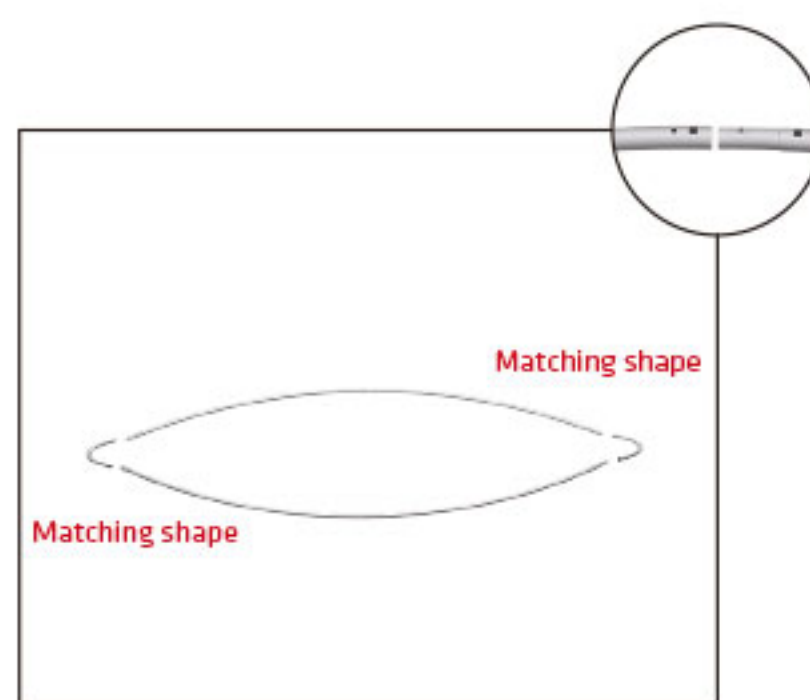
Setup Instructions



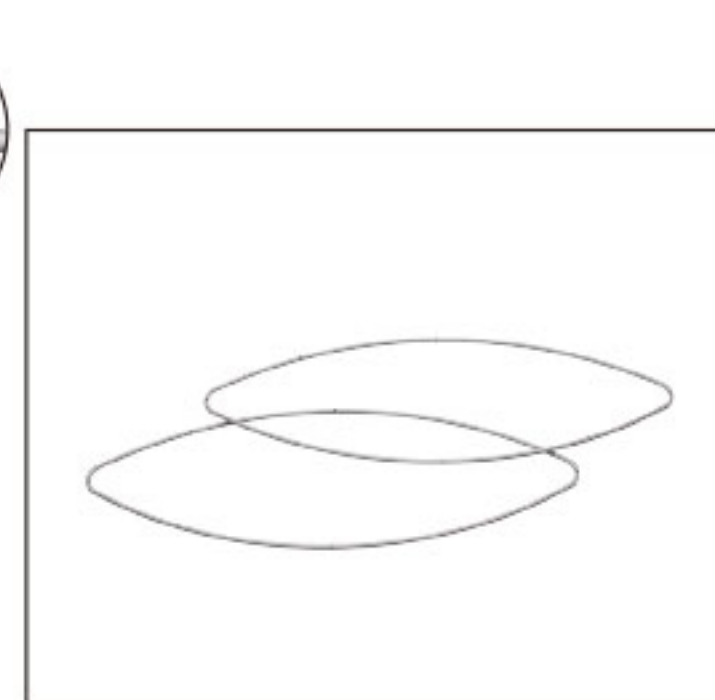
1. Start connecting the different sections of the frame by pushing the ends together.



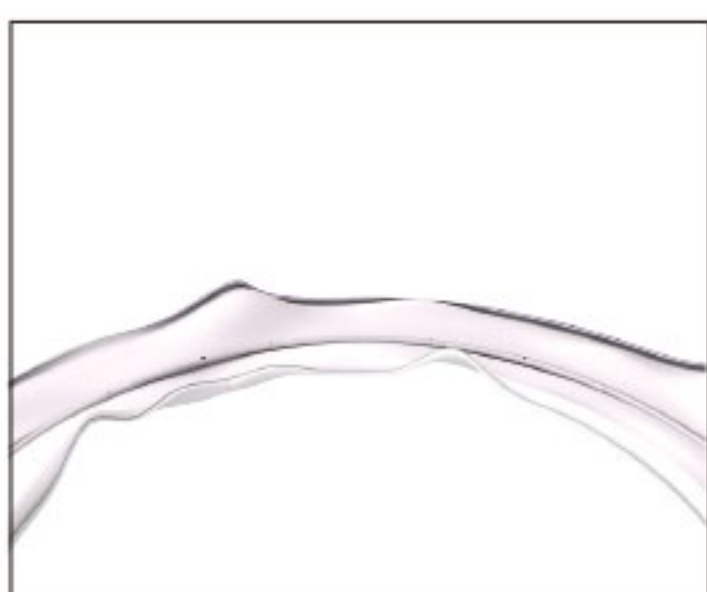
2. There are 4 lengths that you need to pre assemble.



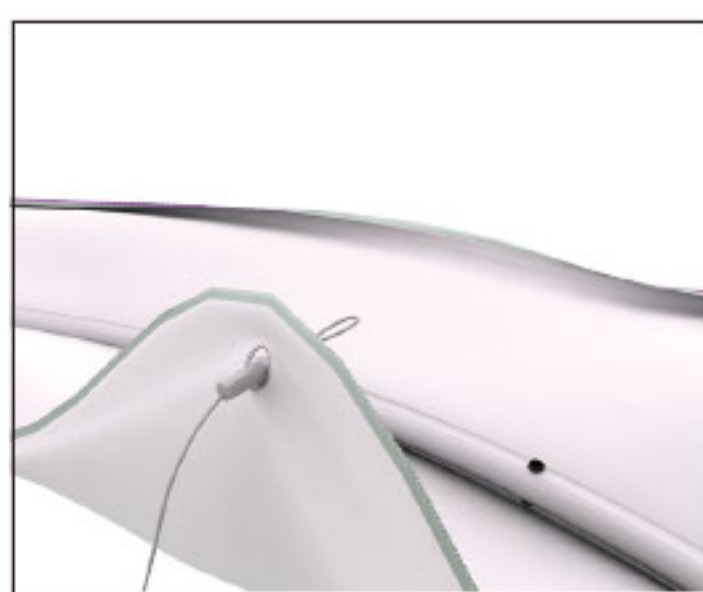
3. Frame ends have a code shape that needs to match.



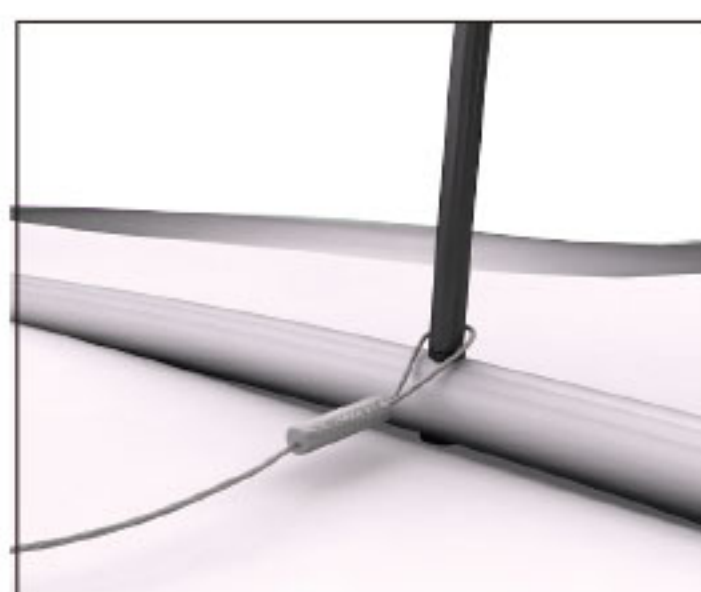
4. Bring the rings together making sure that the holes face each other.



5. Put the frame on top of the fabric print.



6. Thread cable support through eyelet.



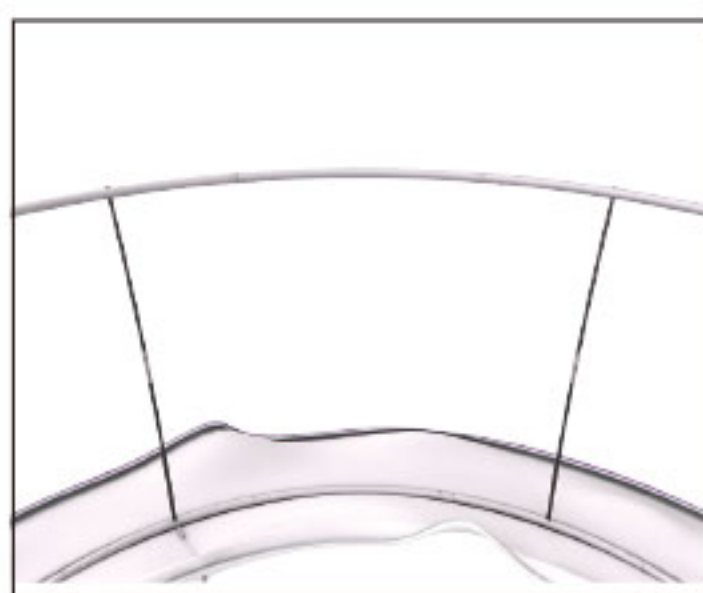
7. Place the black vertical shafts in the bottom ring.



8. Then the other end in the top ring



9. Now using some force connect the sections together.



10. Repeat 7.8.9 till all assembled.



11. Pull the cable up through the eyelet to make it ready for the lift.



12. Connect all cables to a single hook and you're ready to hang it.