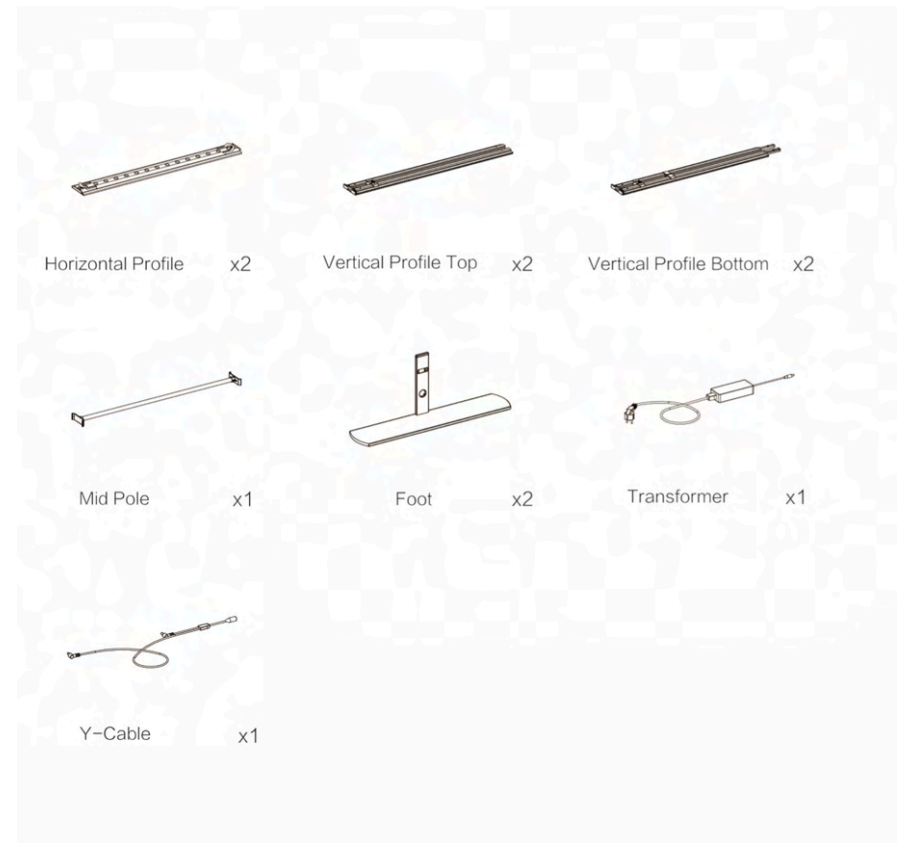
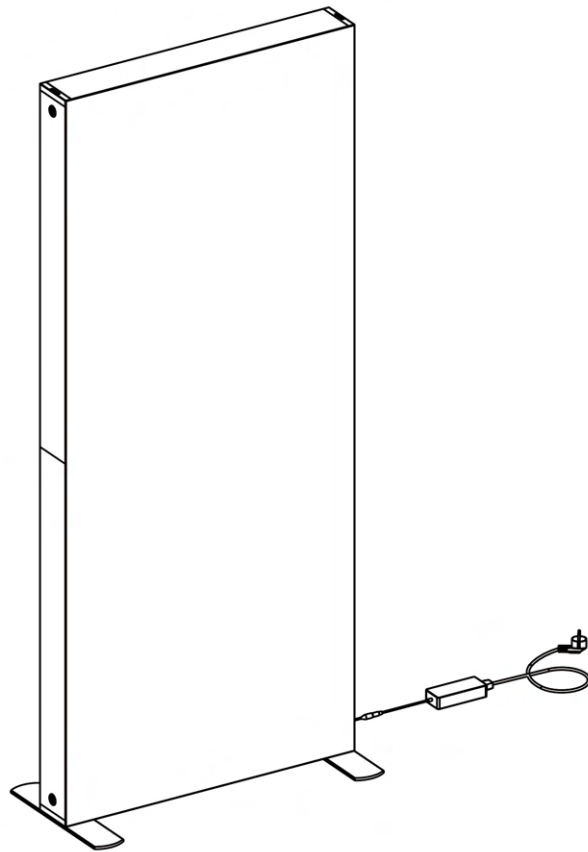


Installation Guide
SEGO modular
lightboxes

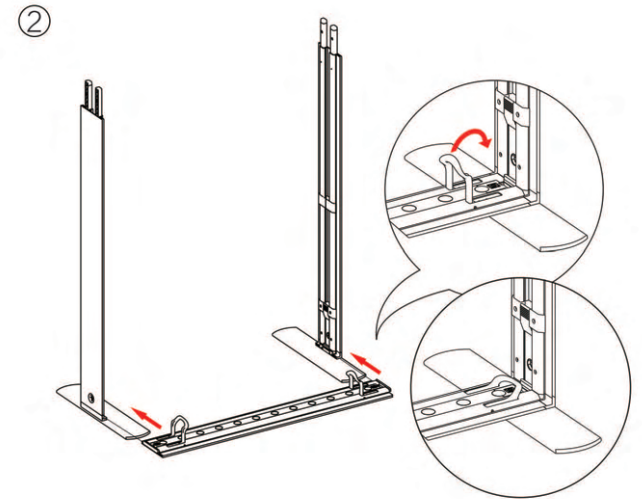
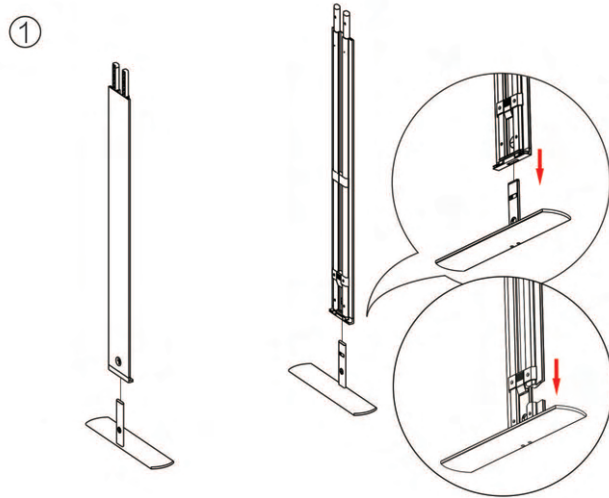
01

Modular lightbox 39.37x94.49in (100x240)



01.1

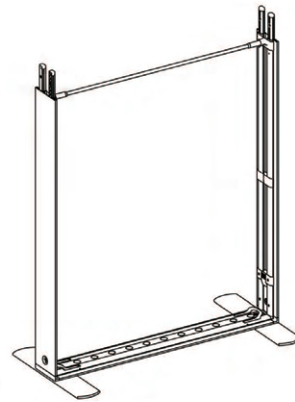
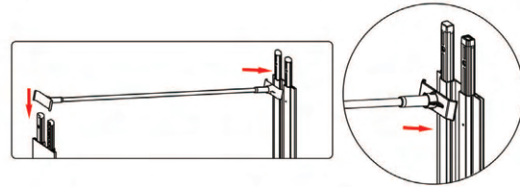
Modular lightbox 39.37x94.49in (100x240)



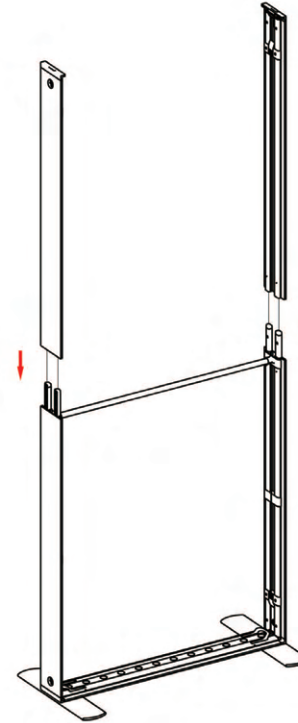
01.2

Modular lightbox 39.37x94.49in (100x240)

③

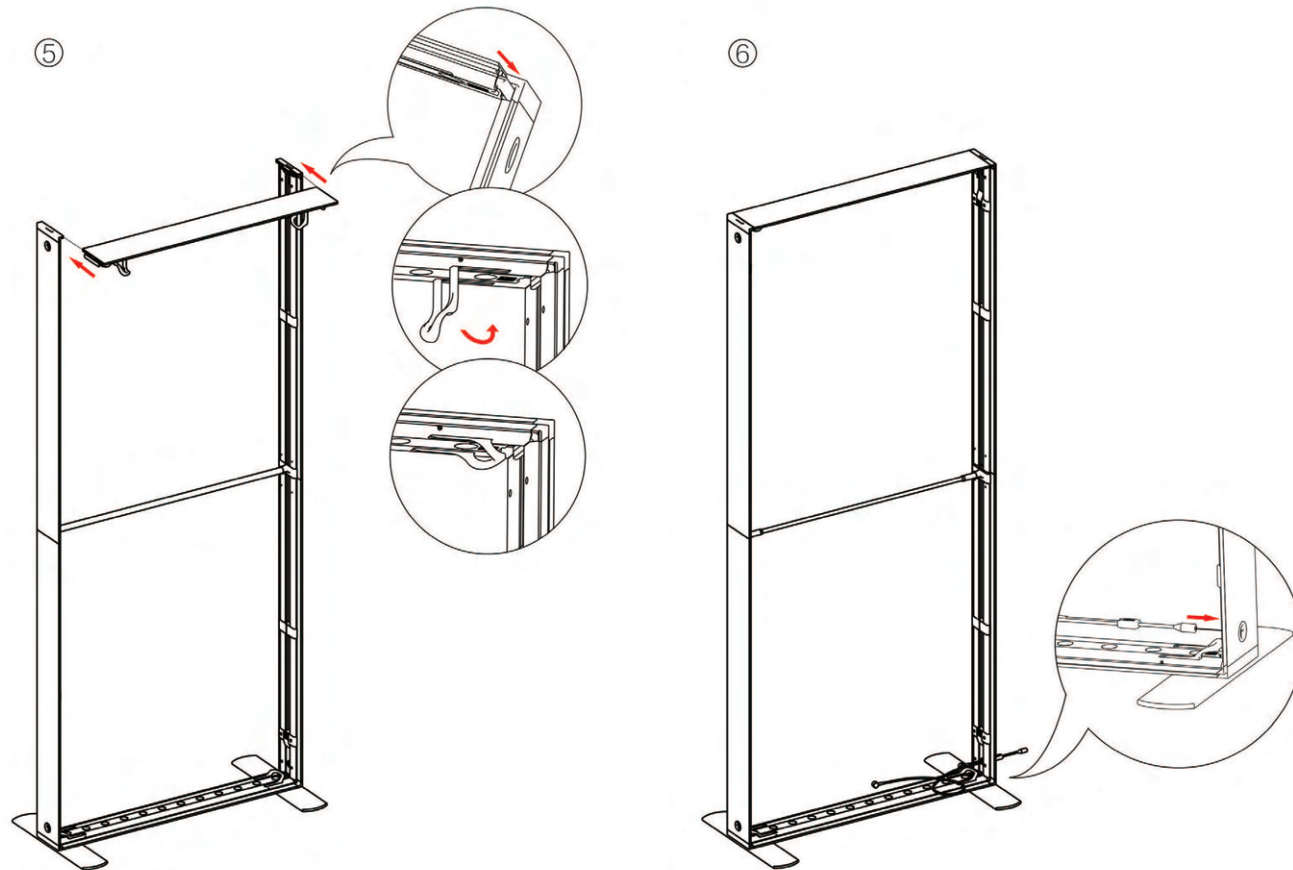


④



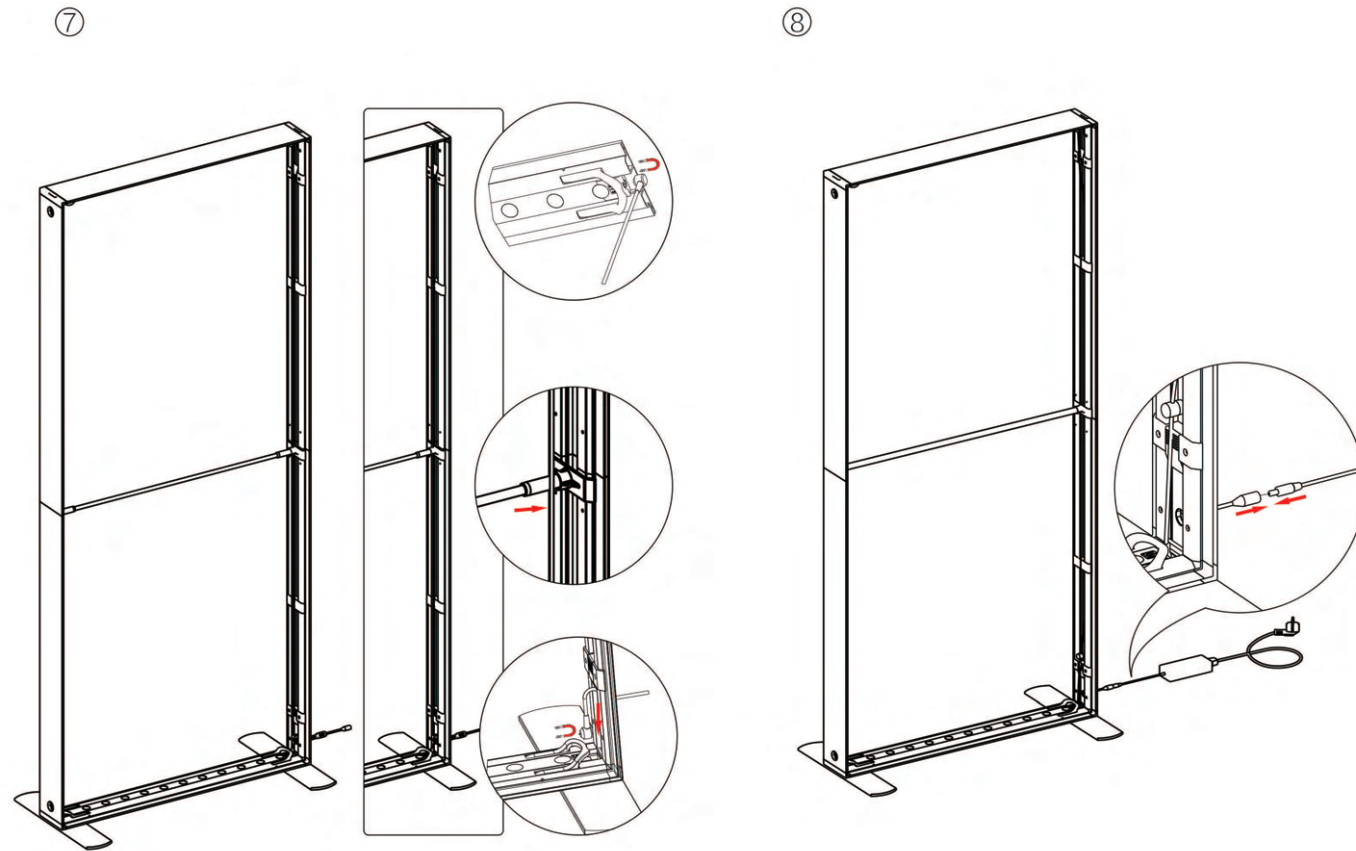
01.3

Modular lightbox 39.37x94.49in (100x240)



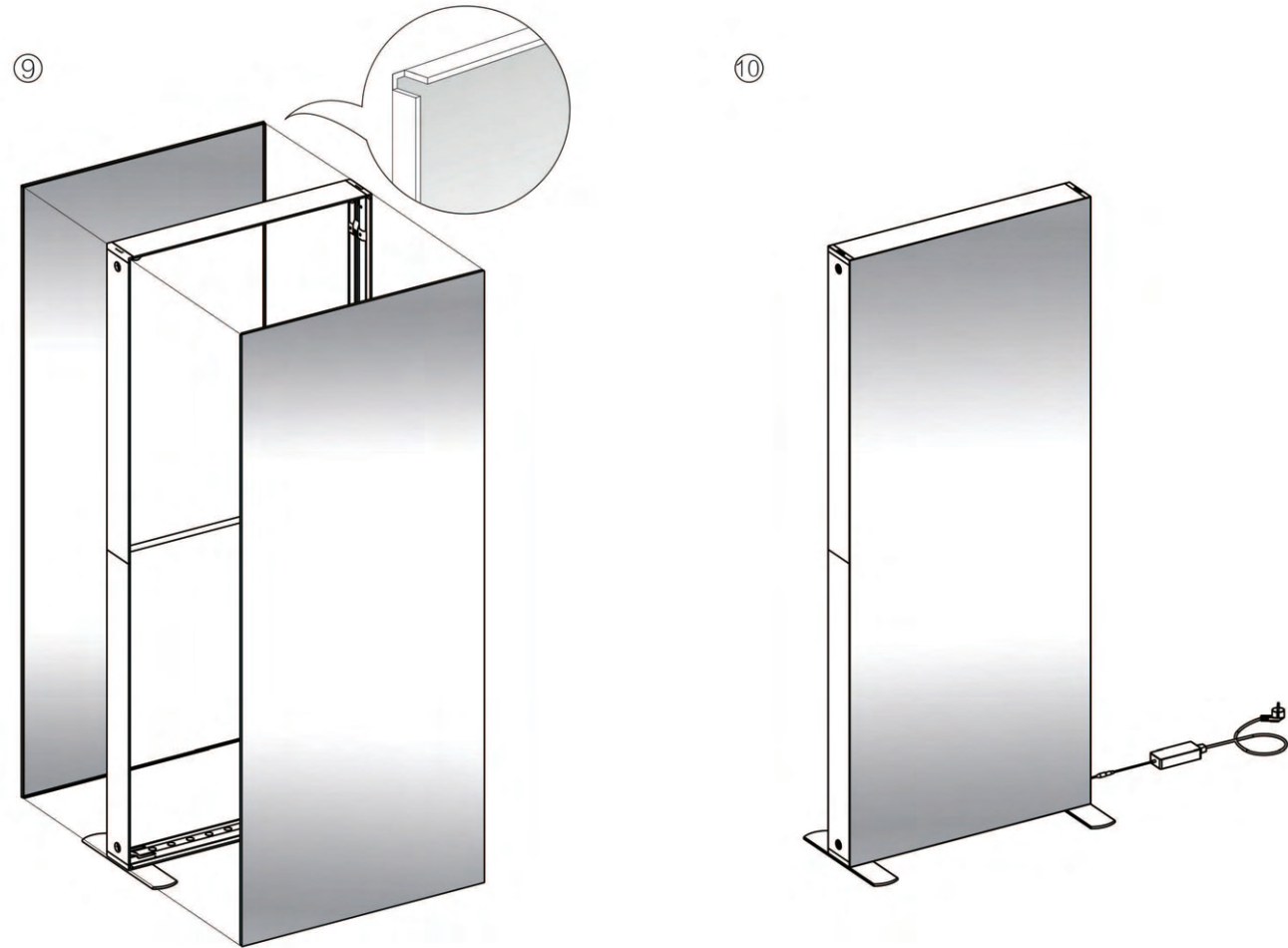
01.4

Modular lightbox 39.37x94.49in (100x240)



01.5

Modular lightbox 39.37x94.49in (100x240)



02

Steps for Proper Fabric Placement

Step 1 Corners First:

Begin by tucking the fabric into the corners of the structure. Ensure that the fabric is inserted into the groove of the frame.

Follow this sequence

- Top-left corner (01)
- Top-right corner (02)
- Bottom-right corner (03)
- Bottom-left corner (04)

Step 2 Along the Sides:

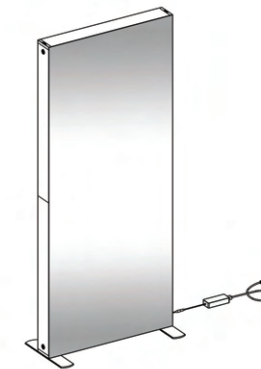
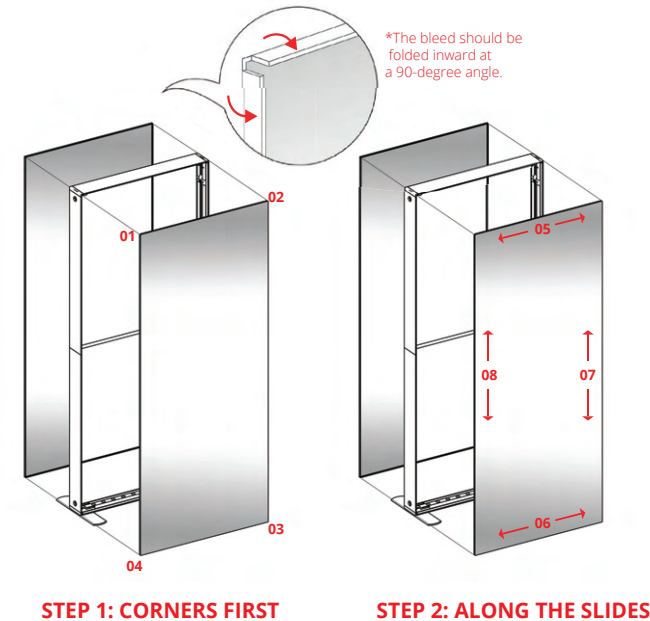
After securing the corners, proceed to tuck the fabric along the sides of the structure, making sure it fits snugly within the frame's groove.

Follow this sequence

- Top side (05)
- Bottom side (06)
- Right side (07)
- Left side (08)

Step 3 Final Adjustments

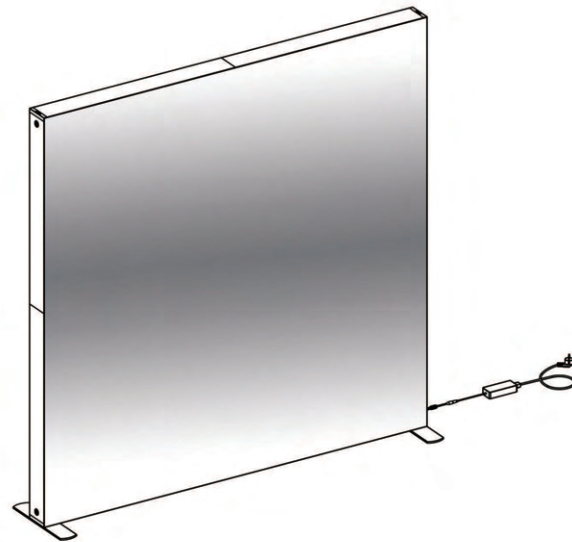
Once the fabric is securely tucked, go over the perimeter of the structure with your hands to make any necessary adjustments to the fabric positioning.






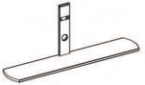





STEP 3: READY, FINAL ADJUSTMENTS

03

Modular lightbox 78.74x94.49in (200x240)

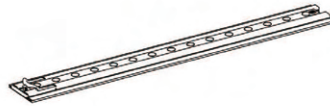


- | | | |
|---------------------------------------------------------------------------------------|--------------------------------------------------------------------------------------|--------------------------------------------------------------------------------------|
|  |  |  |
| Horizontal Profile L x2 | Horizontal Profile R x2 | Mid Pole x4 |
|  |  |  |
| Vertical Profile Top x2 | Vertical Profile Bottom x2 | Foot x2 |
|  |  |  |
| MP Cross x1 | LED Connector x2 | Transformer x1 |
|  | | |
| Y-Cable x1 | | |

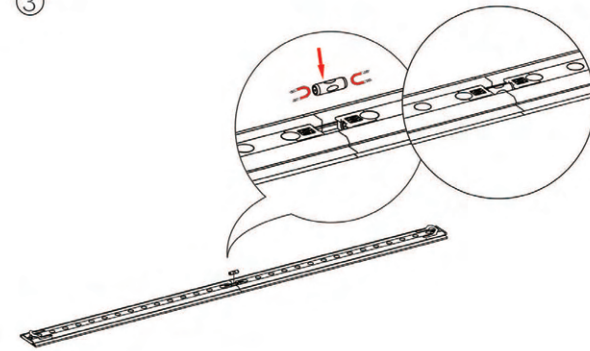
03.1

Modular lightbox 78.74x94.49in (200x240)

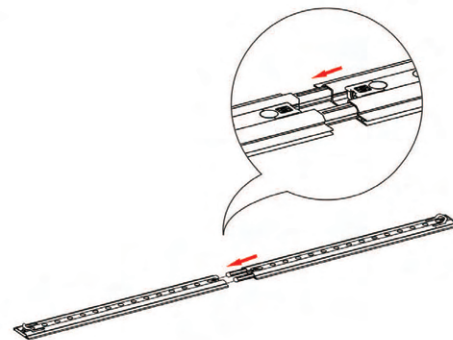
①



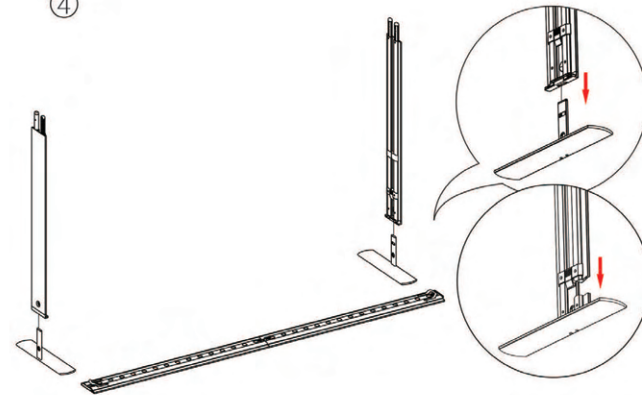
③



②

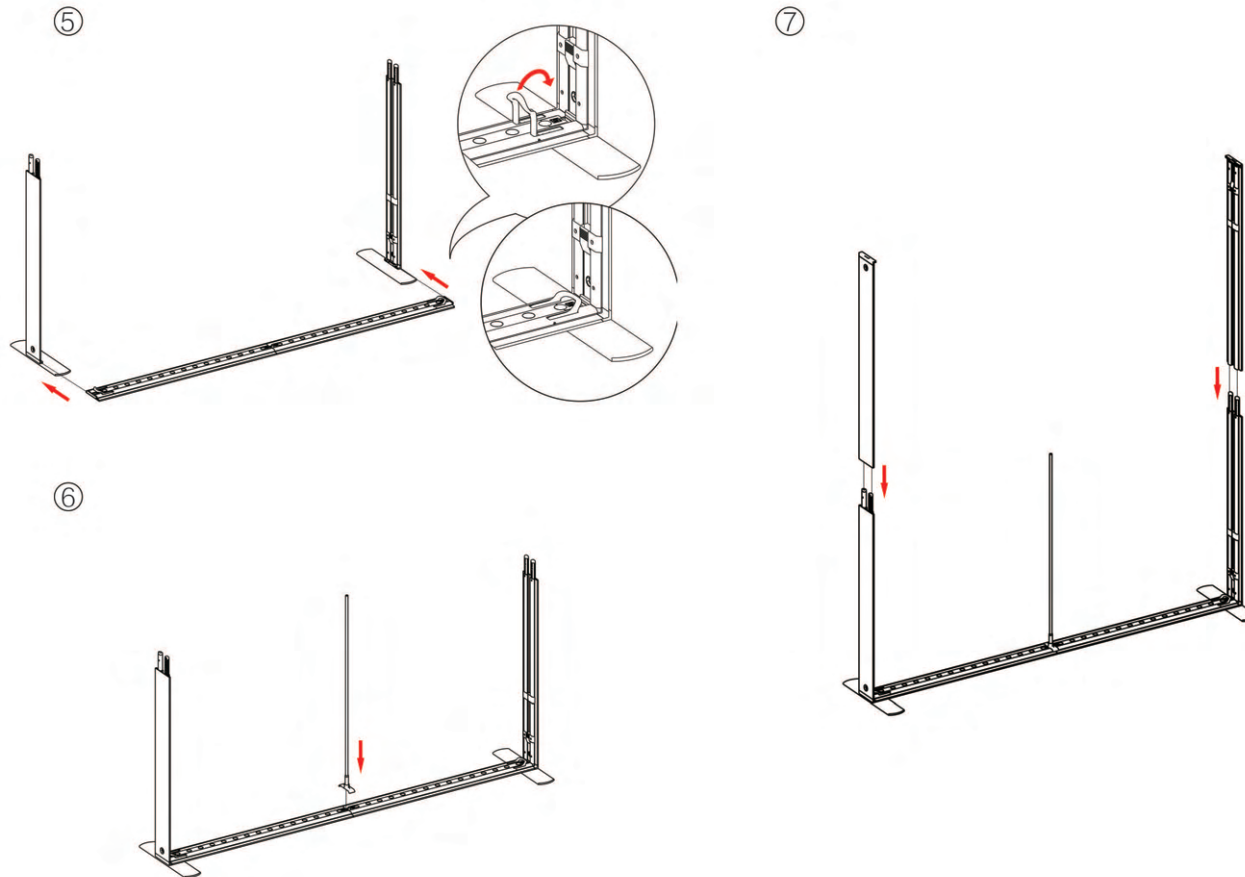


④



03.2

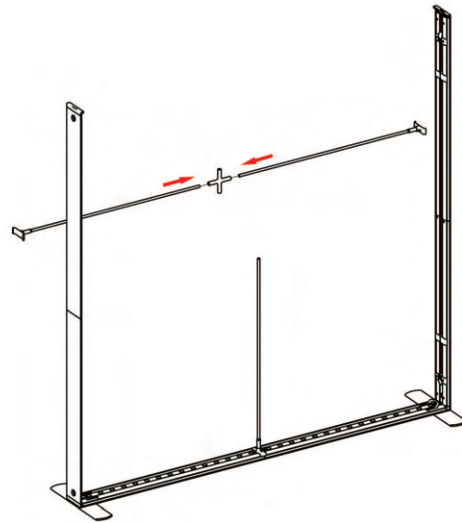
Modular lightbox 78.74x94.49in (200x240)



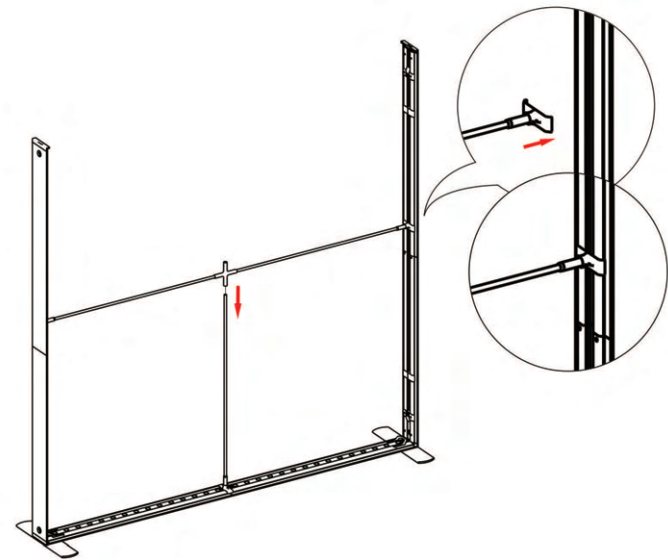
03.3

Modular lightbox 78.74x94.49in (200x240)

⑧



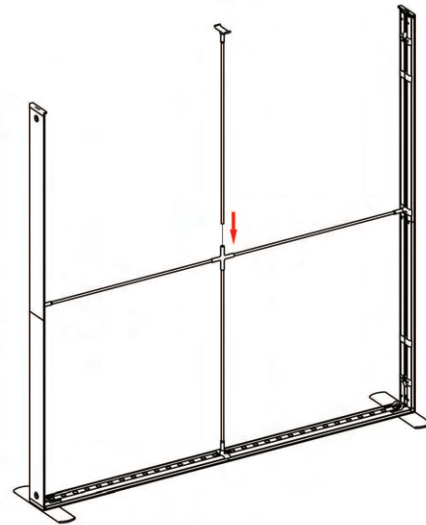
⑨



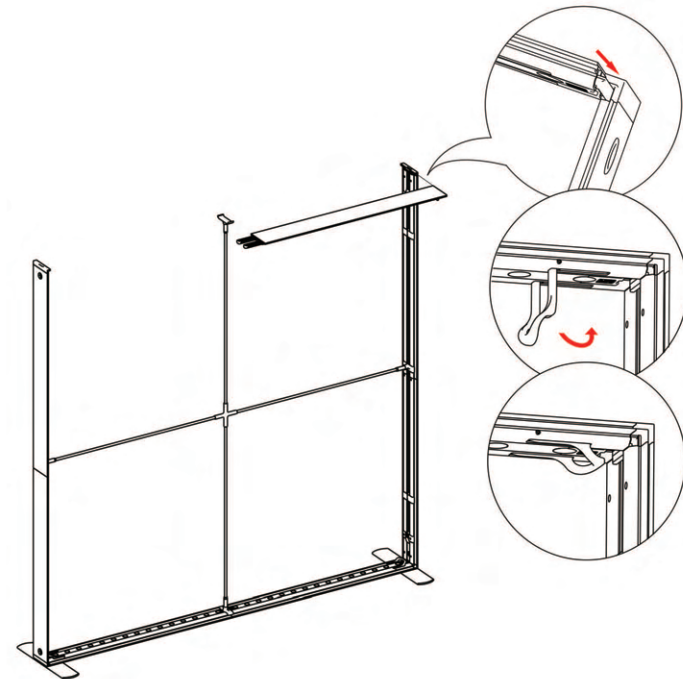
03.4

Modular lightbox 78.74x94.49in (200x240)

⑩



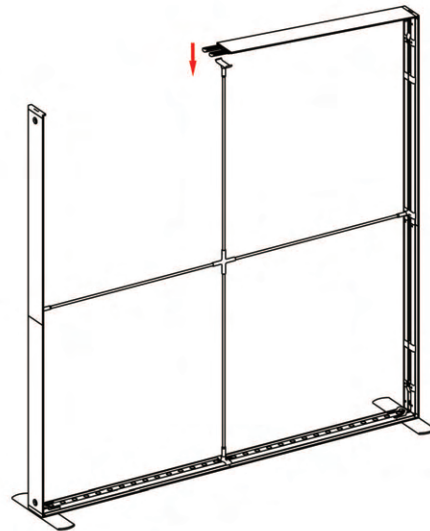
⑪



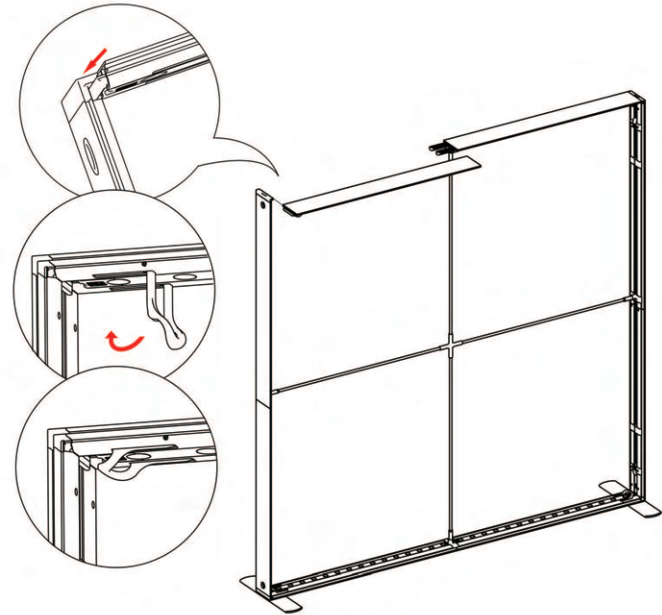
03.5

Modular lightbox 78.74x94.49in (200x240)

⑫



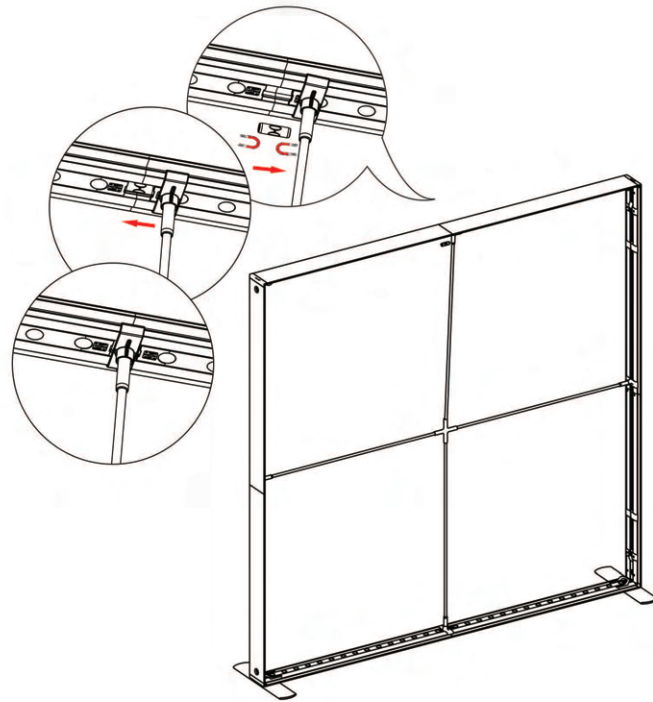
⑬



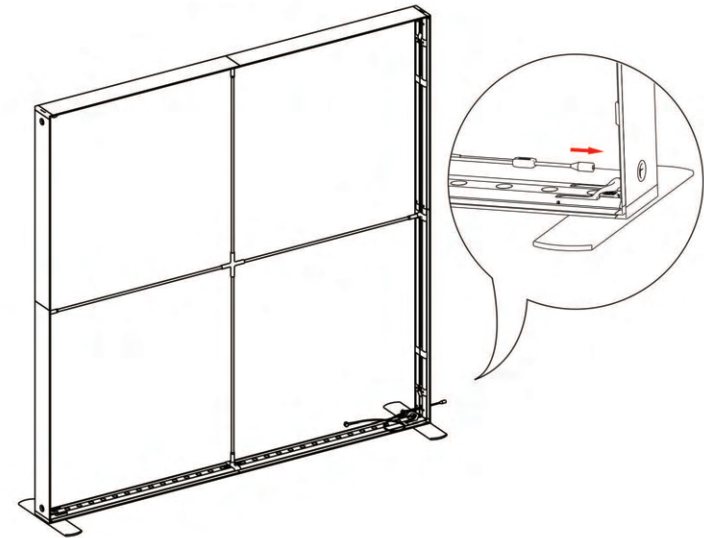
03.6

Modular lightbox 78.74x94.49in (200x240)

14

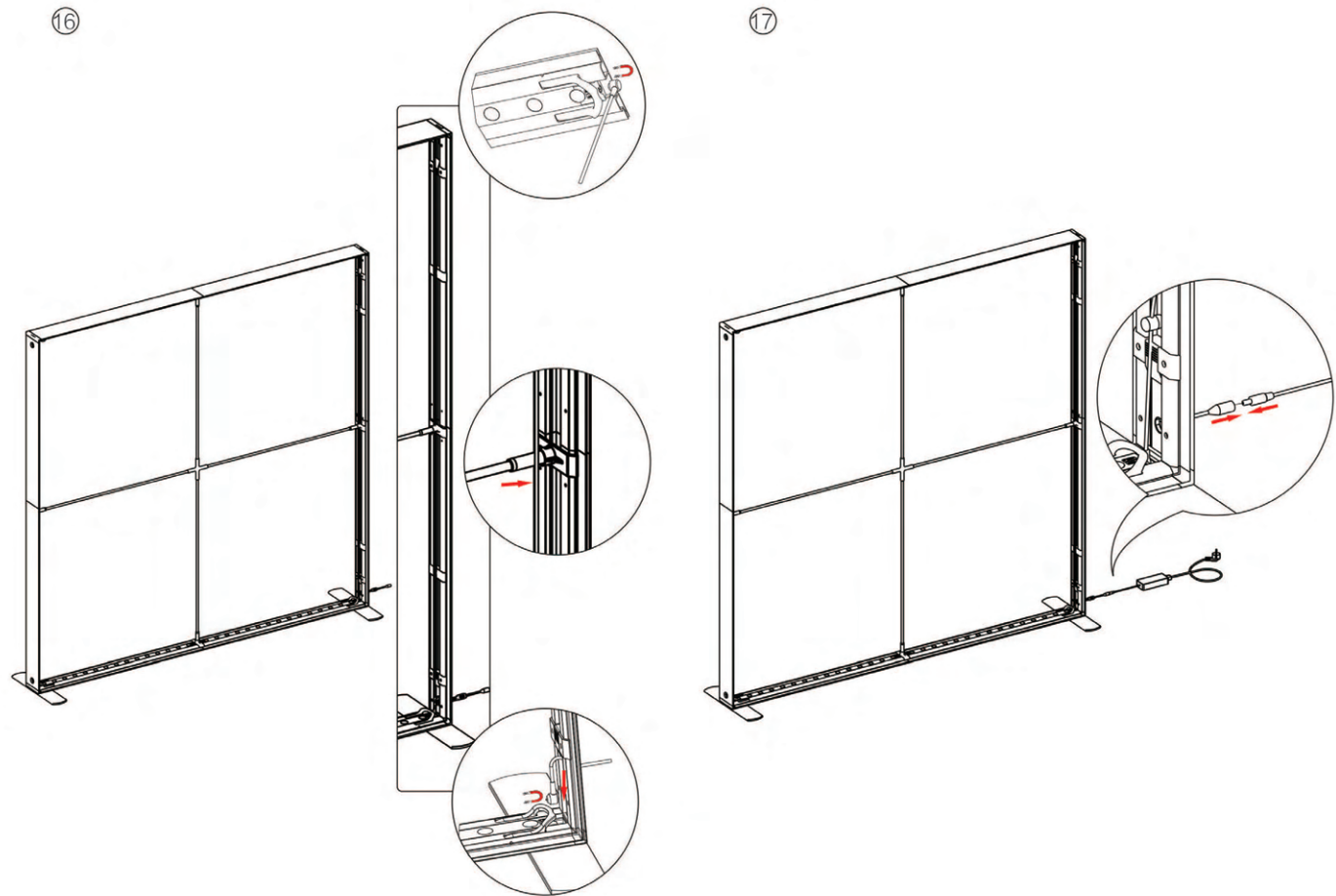


15



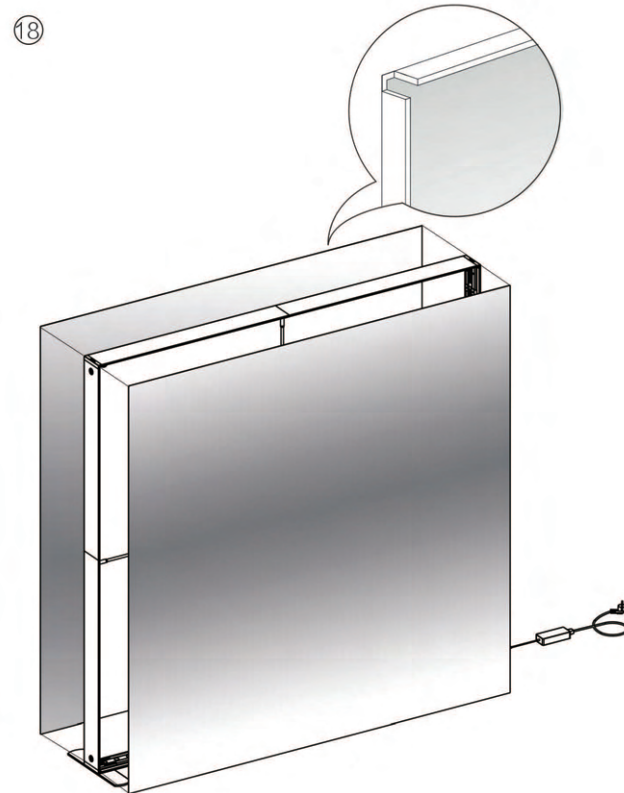
03.7

Modular lightbox 78.74x94.49in (200x240)



03.8

Modular lightbox
78.74x94.49in (200x240)



04

Steps for Proper Fabric Placement

Step 1 Corners First:

Begin by tucking the fabric into the corners of the structure. Ensure that the fabric is inserted into the groove of the frame.

Follow this sequence

- Top-left corner (01)
- Top-right corner (02)
- Bottom-right corner (03)
- Bottom-left corner (04)

Step 2 Along the Sides:

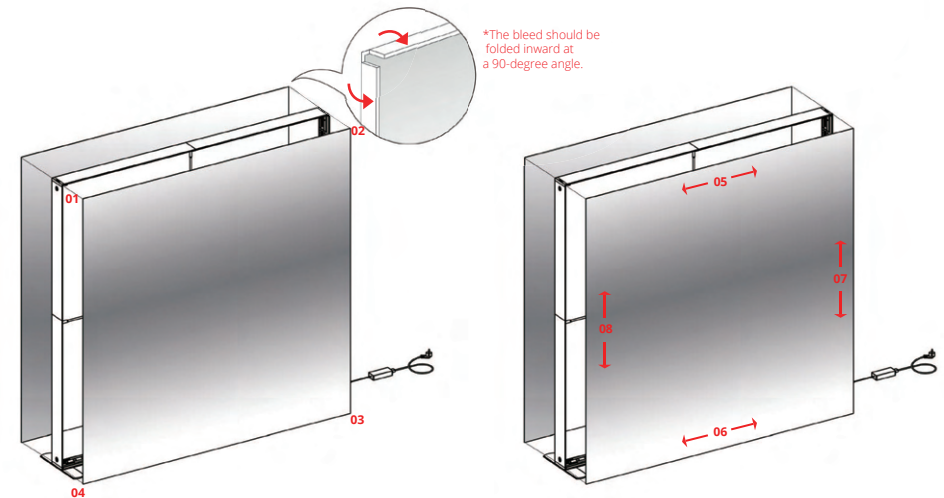
After securing the corners, proceed to tuck the fabric along the sides of the structure, making sure it fits snugly within the frame's groove.

Follow this sequence

- Top side (05)
- Bottom side (06)
- Right side (07)
- Left side (08)

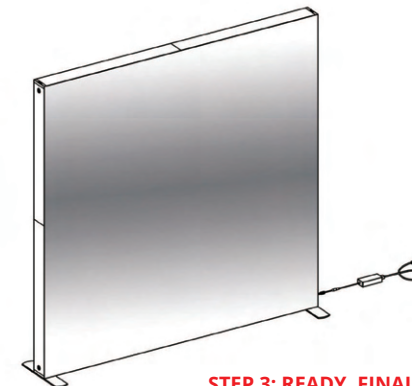
Step 3 Final Adjustments

Once the fabric is securely tucked, go over the perimeter of the structure with your hands to make any necessary adjustments to the fabric positioning.



STEP 1: CORNERS FIRST

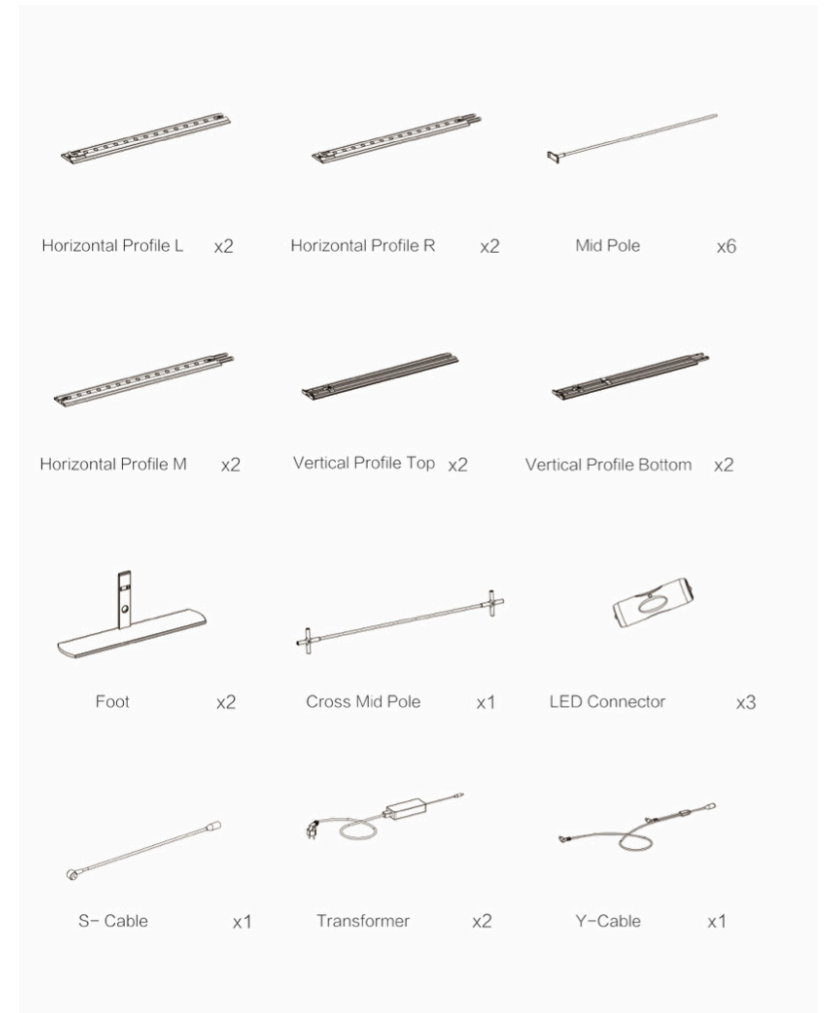
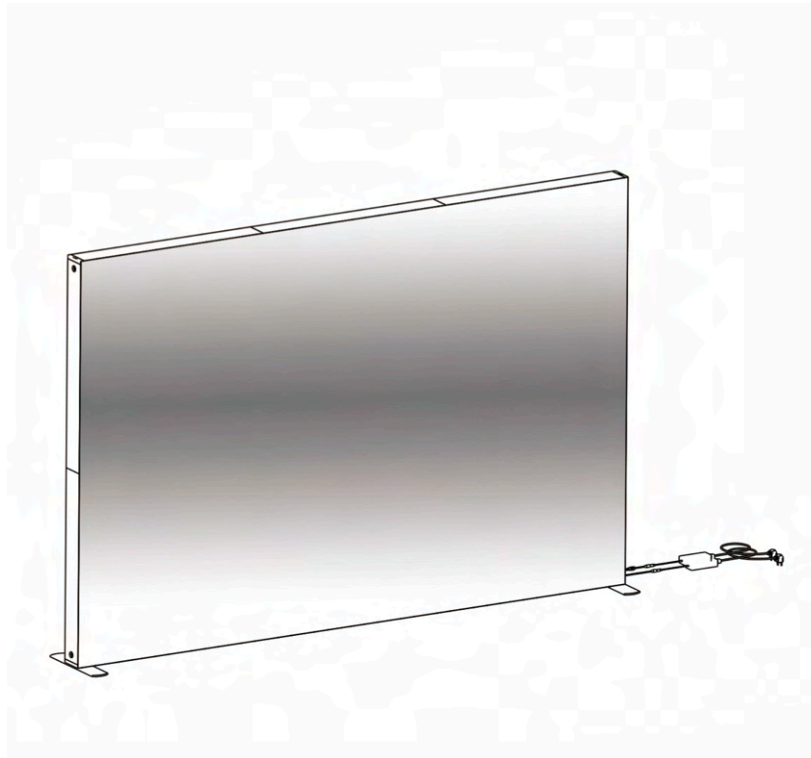
STEP 2: ALONG THE SLIDES



STEP 3: READY, FINAL ADJUSTMENTS

05

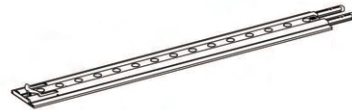
Modular lightbox 118.11x94.49in (300x240)



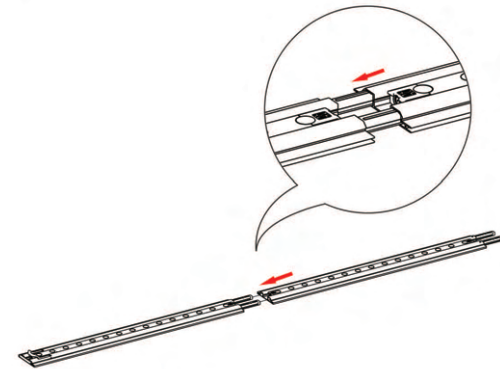
05.1

Modular lightbox 118.11x94.49in (300x240)

①

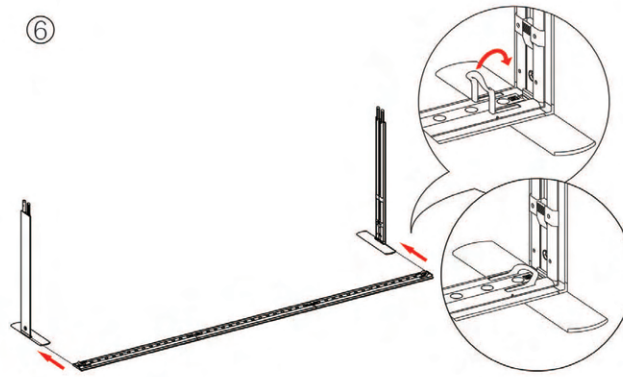
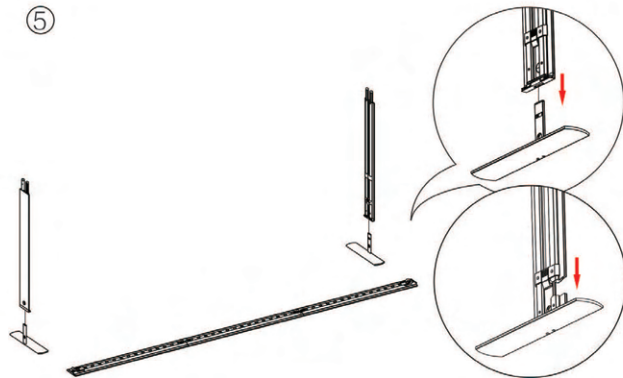
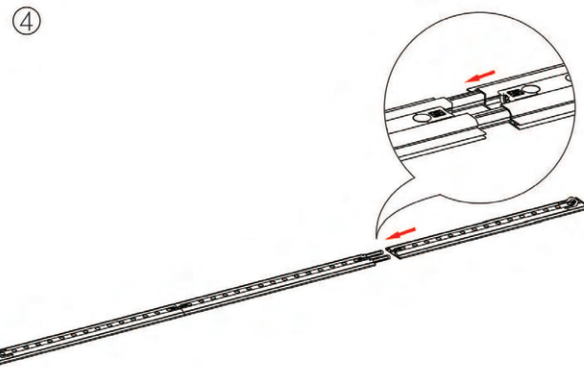
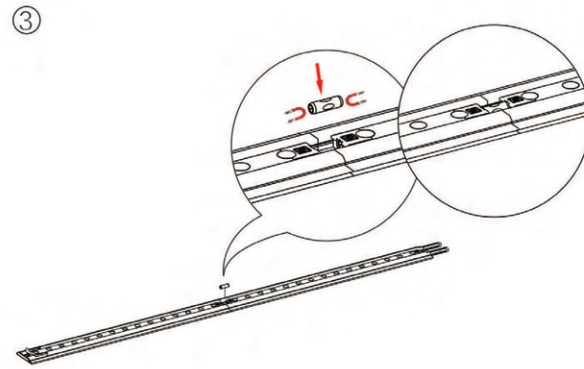


②



05.2

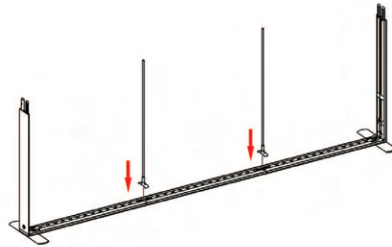
Modular lightbox 118.11x94.49in (300x240)



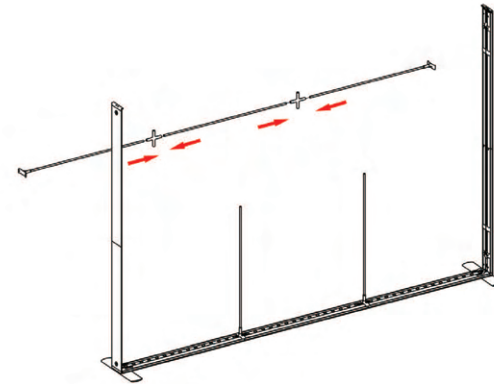
05.3

Modular lightbox 118.11x94.49in (300x240)

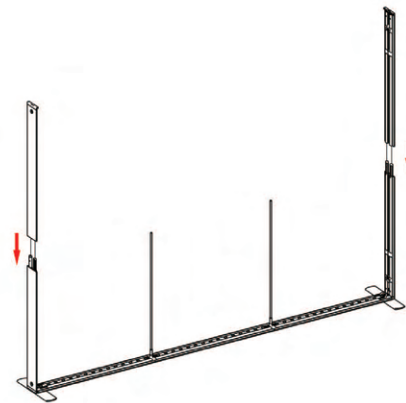
⑦



⑨



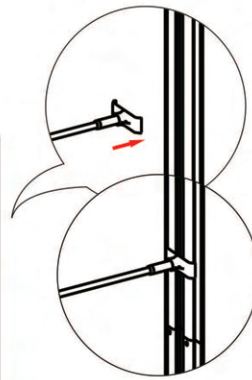
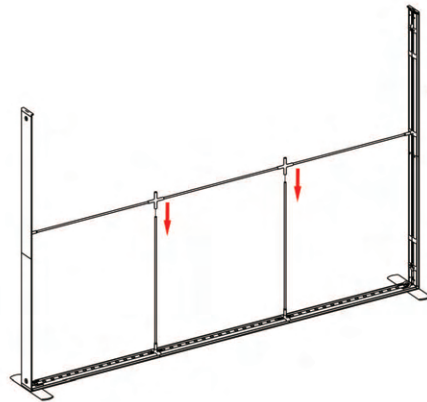
⑧



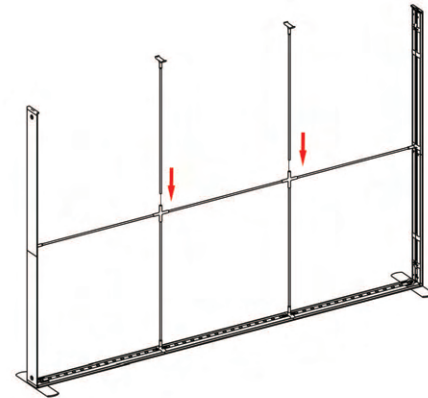
05.4

Modular lightbox 118.11x94.49in (300x240)

⑩



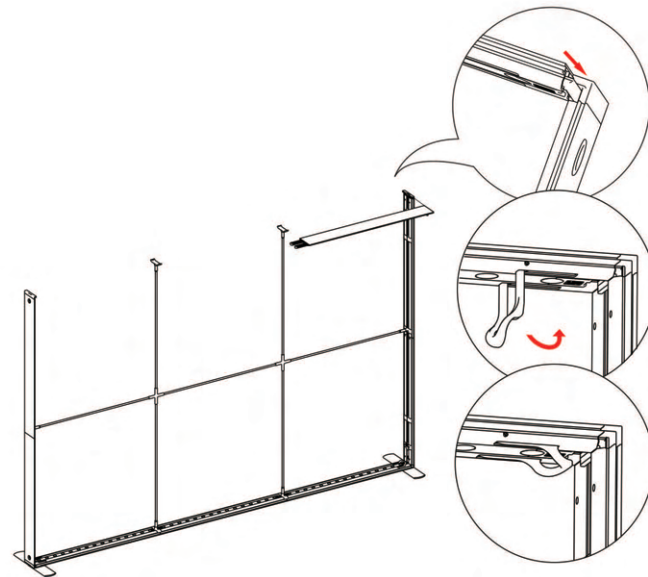
⑪



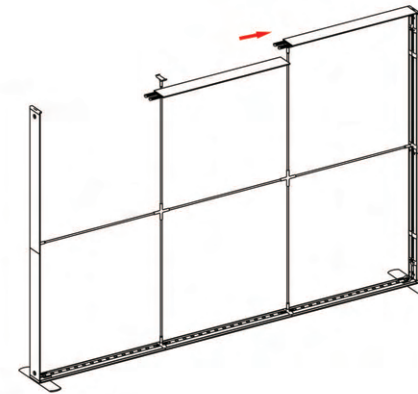
05.5

Modular lightbox 118.11x94.49in (300x240)

⑫



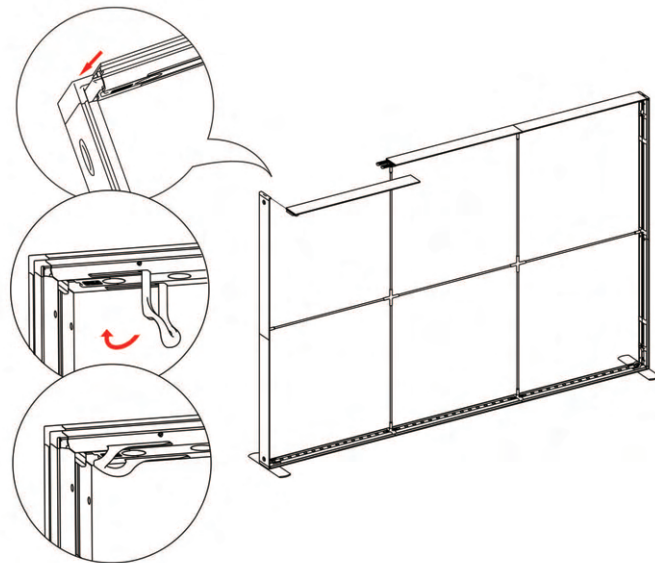
⑬



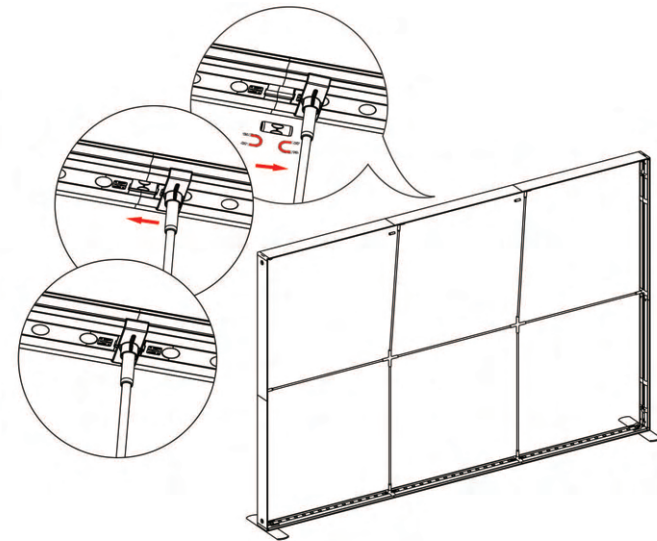
05.6

Modular lightbox 118.11x94.49in (300x240)

14



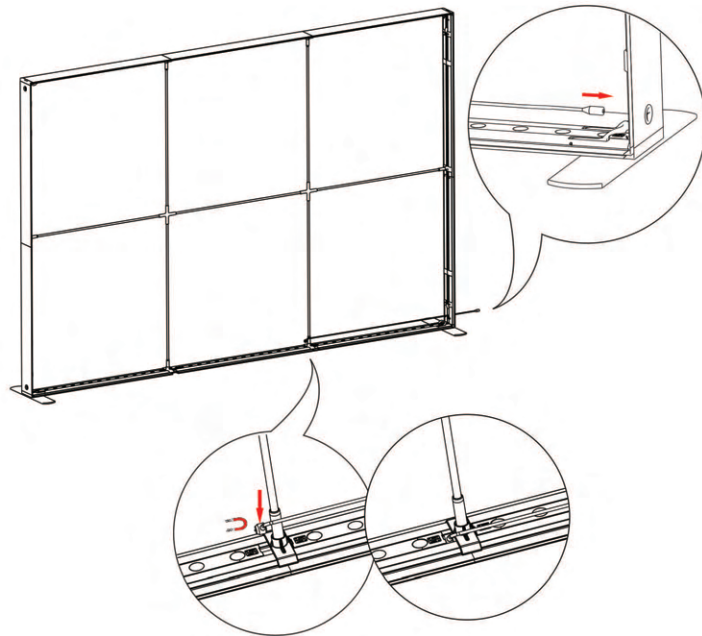
15



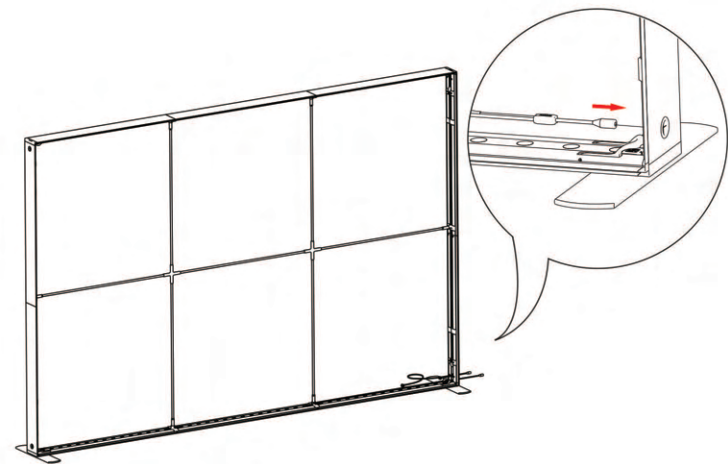
05.7

Modular lightbox 118.11x94.49in (300x240)

16

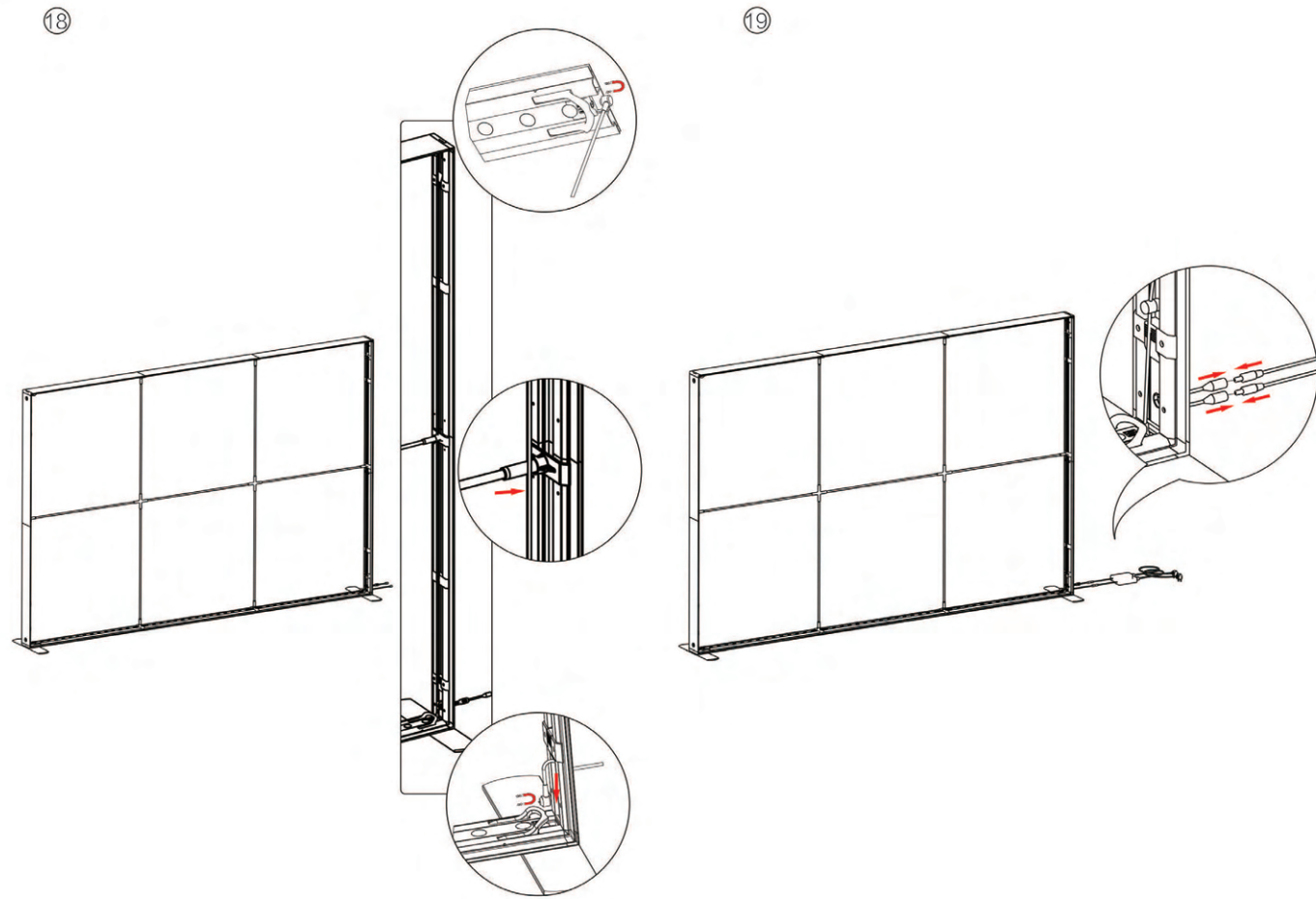


17



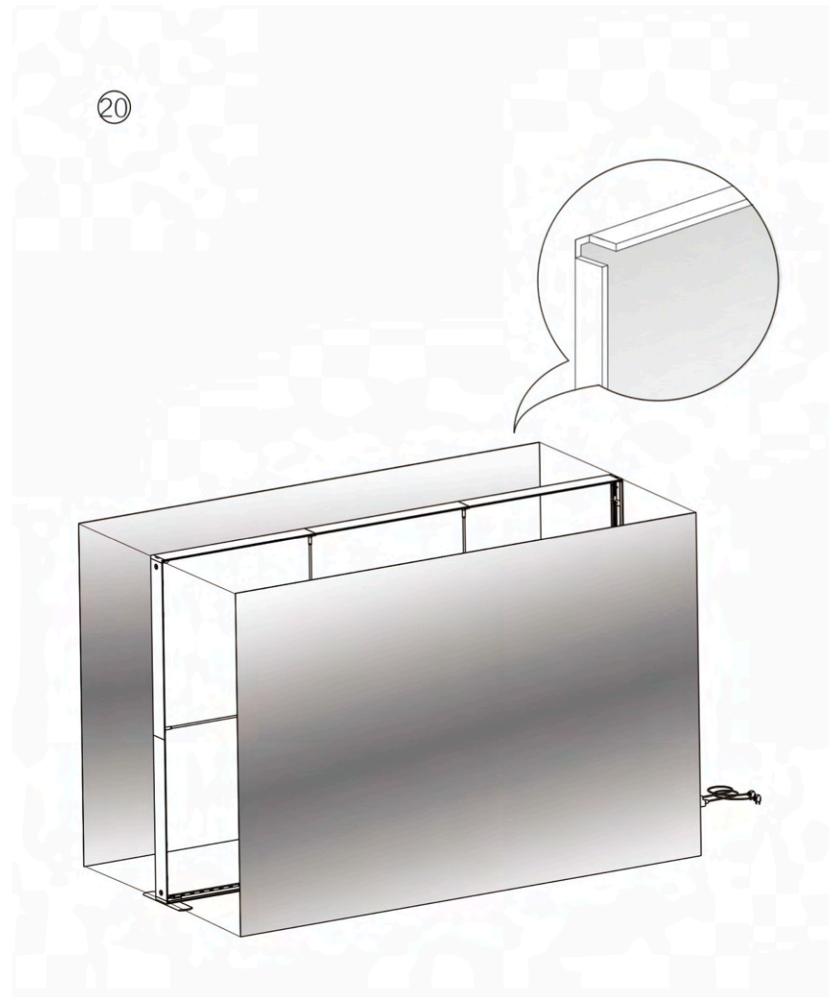
05.8

Modular lightbox 118.11x94.49in (300x240)



05.9

Modular lightbox
118.11x94.49in (300x240)



06

Steps for Proper Fabric Placement

Step 1 Corners First:

Begin by tucking the fabric into the corners of the structure. Ensure that the fabric is inserted into the groove of the frame.

Follow this sequence

- Top-left corner (01)
- Top-right corner (02)
- Bottom-right corner (03)
- Bottom-left corner (04)

Step 2 Along the Sides:

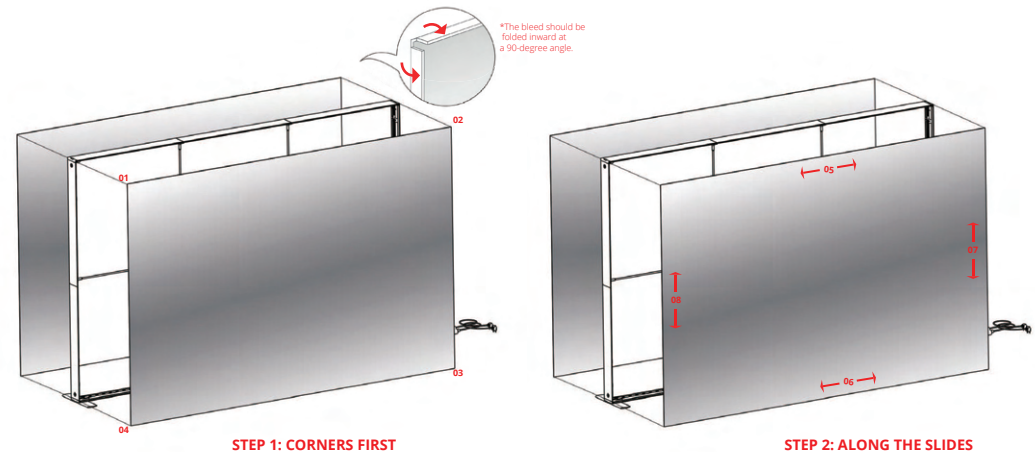
After securing the corners, proceed to tuck the fabric along the sides of the structure, making sure it fits snugly within the frame's groove.

Follow this sequence

- Top side (05)
- Bottom side (06)
- Right side (07)
- Left side (08)

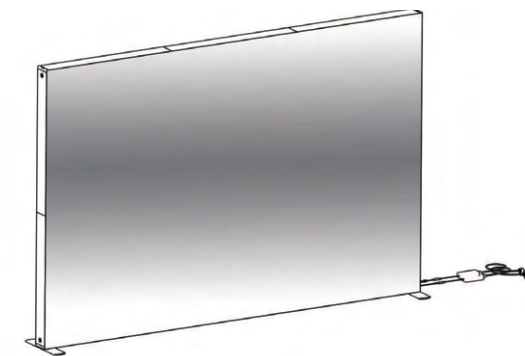
Step 3 Final Adjustments

Once the fabric is securely tucked, go over the perimeter of the structure with your hands to make any necessary adjustments to the fabric positioning.



STEP 1: CORNERS FIRST

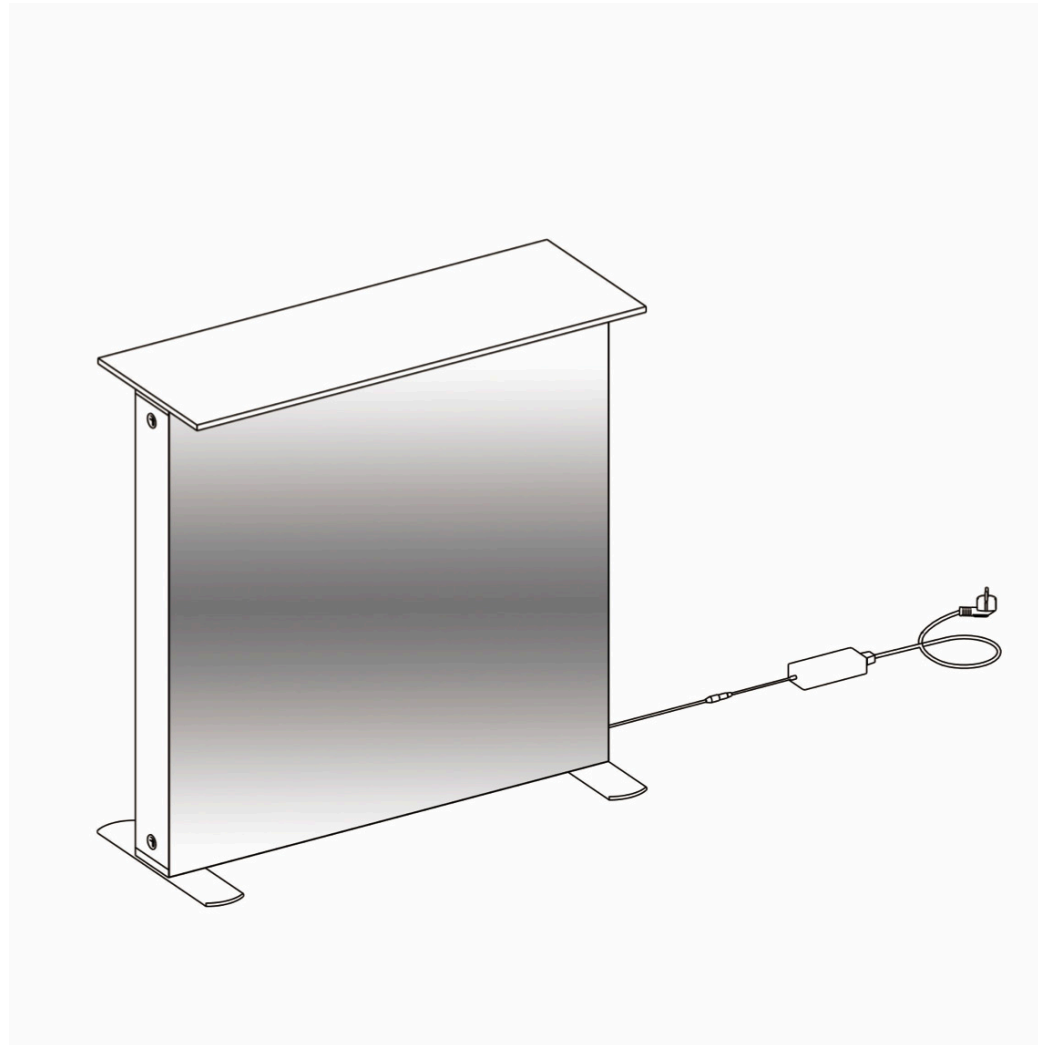
STEP 2: ALONG THE SLIDES



STEP 3: READY, FINAL ADJUSTMENTS

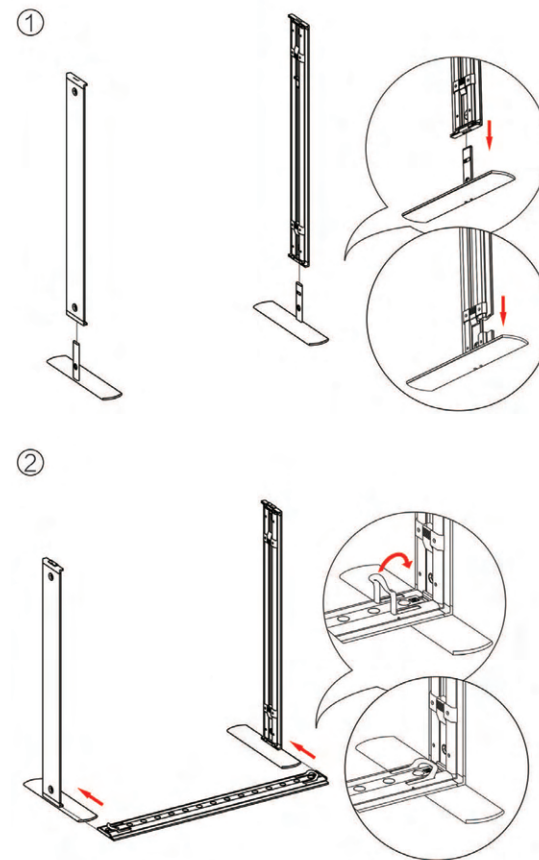
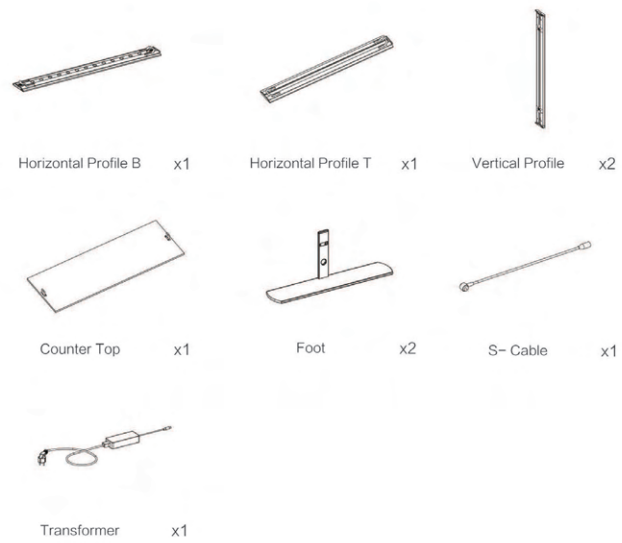
07

Counter



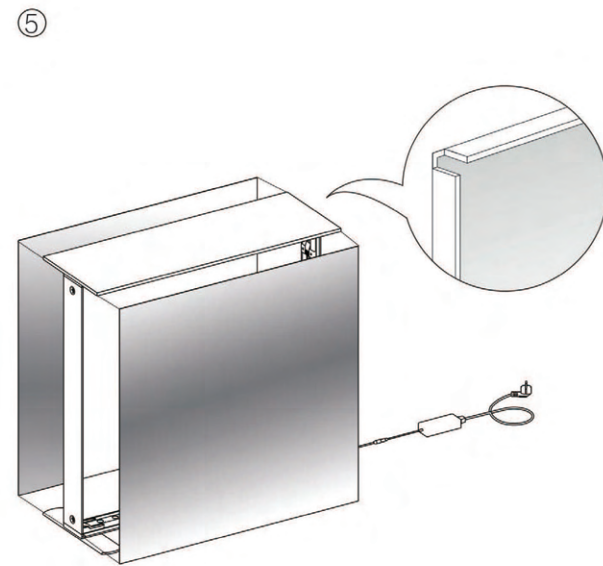
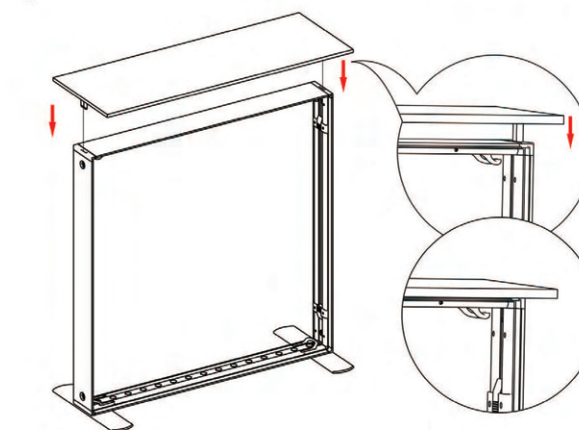
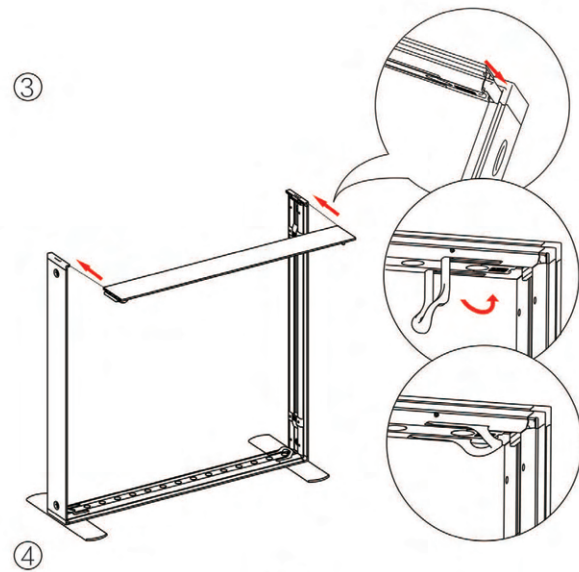
07.1

Counter



07.2

Counter



08

Steps for Proper Fabric Placement

Step 1 Corners First:

Begin by tucking the fabric into the corners of the structure. Ensure that the fabric is inserted into the groove of the frame.

Follow this sequence

- Top-left corner (01)
- Top-right corner (02)
- Bottom-right corner (03)
- Bottom-left corner (04)

Step 2 Along the Sides:

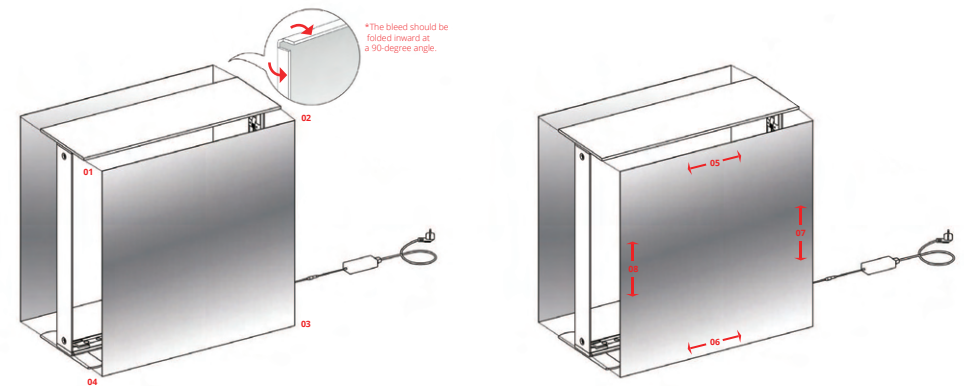
After securing the corners, proceed to tuck the fabric along the sides of the structure, making sure it fits snugly within the frame's groove.

Follow this sequence

- Top side (05)
- Bottom side (06)
- Right side (07)
- Left side (08)

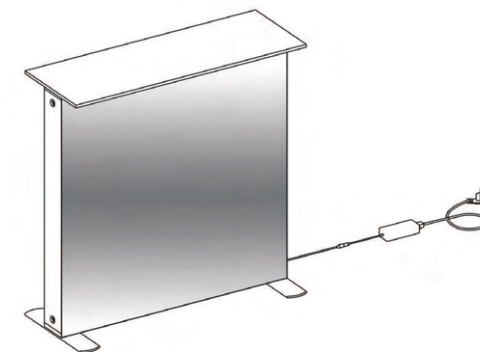
Step 3 Final Adjustments

Once the fabric is securely tucked, go over the perimeter of the structure with your hands to make any necessary adjustments to the fabric positioning.



STEP 1: CORNERS FIRST

STEP 2: ALONG THE SLIDES

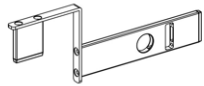


STEP 3: READY, FINAL ADJUSTMENTS

Extra Options

01

Connectors



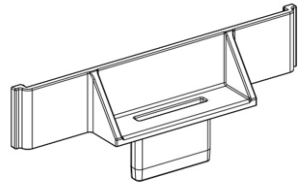
Bridge Connector



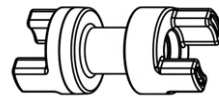
Bridge Connector for 3M



Bridge Middle Support



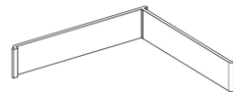
High-low Connector



Straight Connector



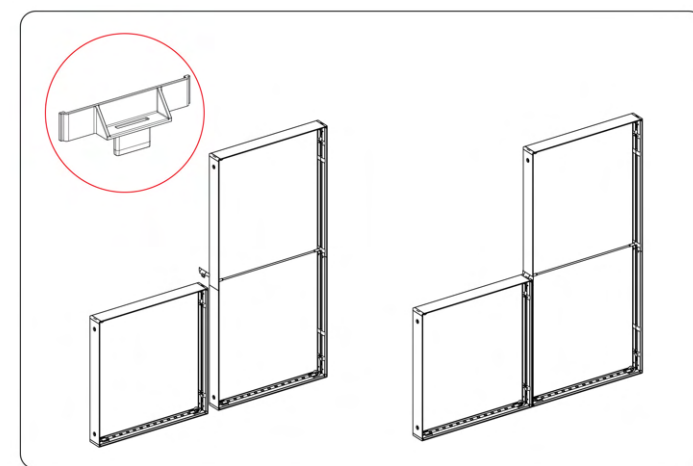
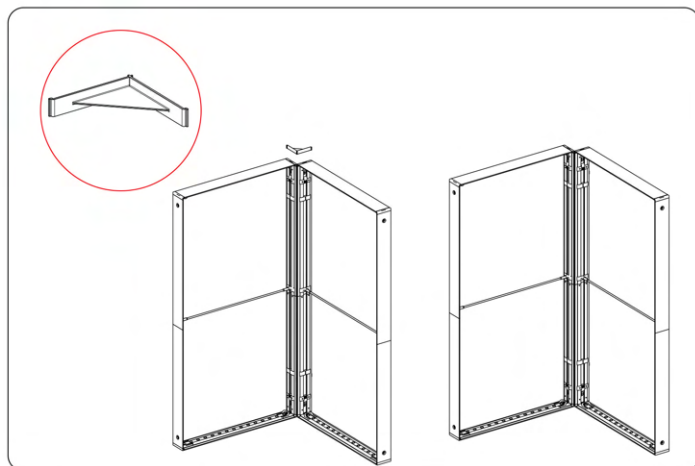
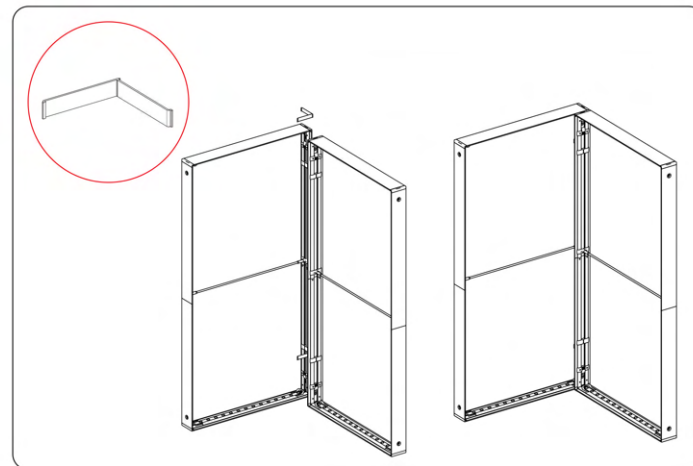
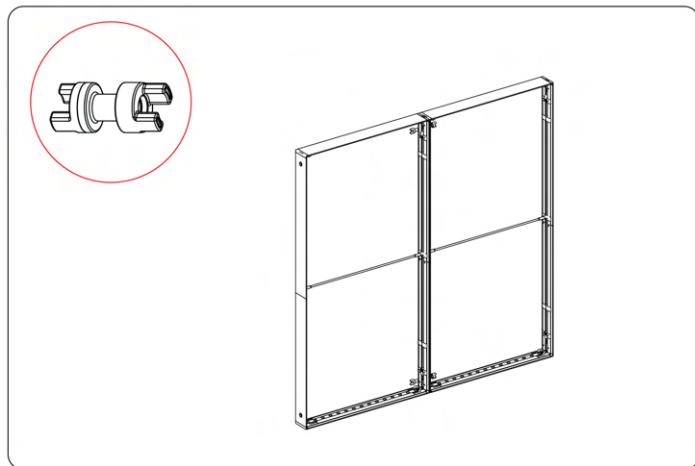
L Connector Outside



L Connector Inside

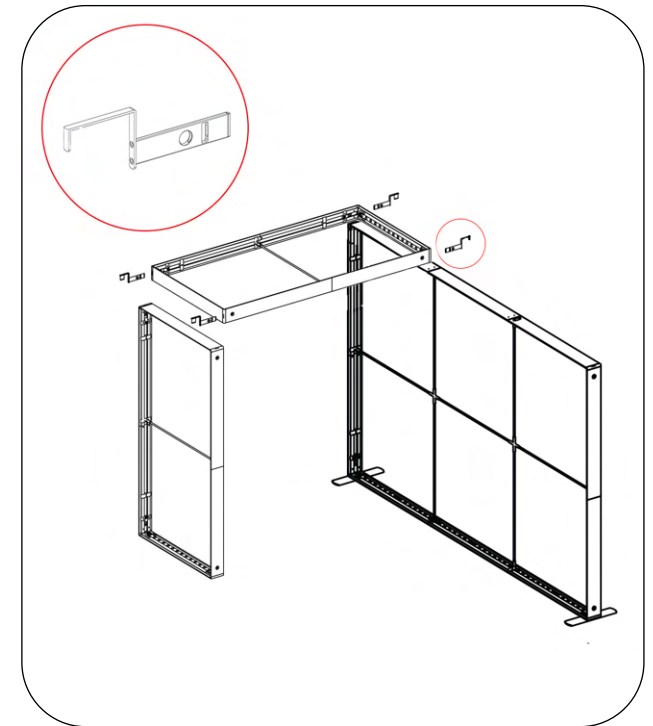
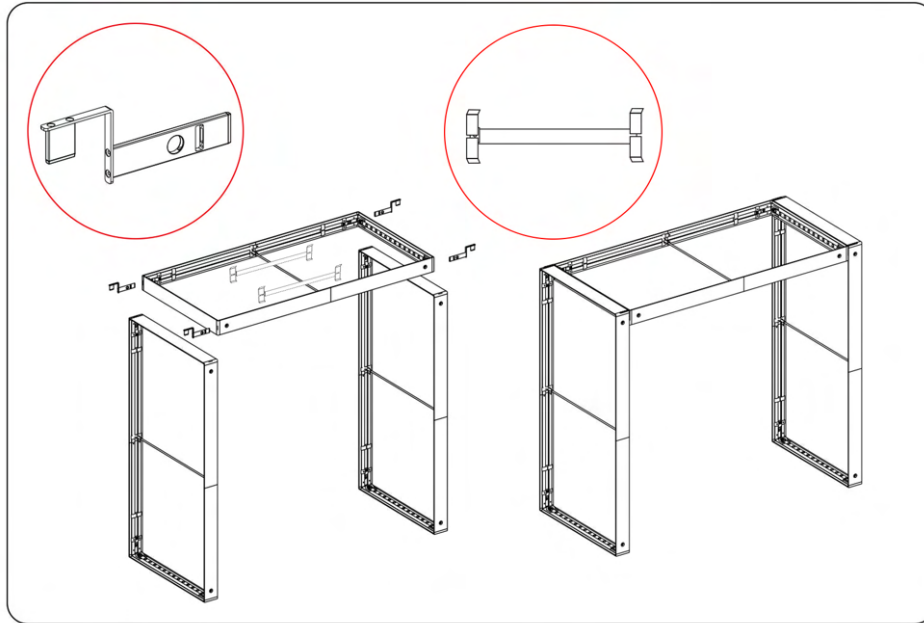
02

Connectors



03

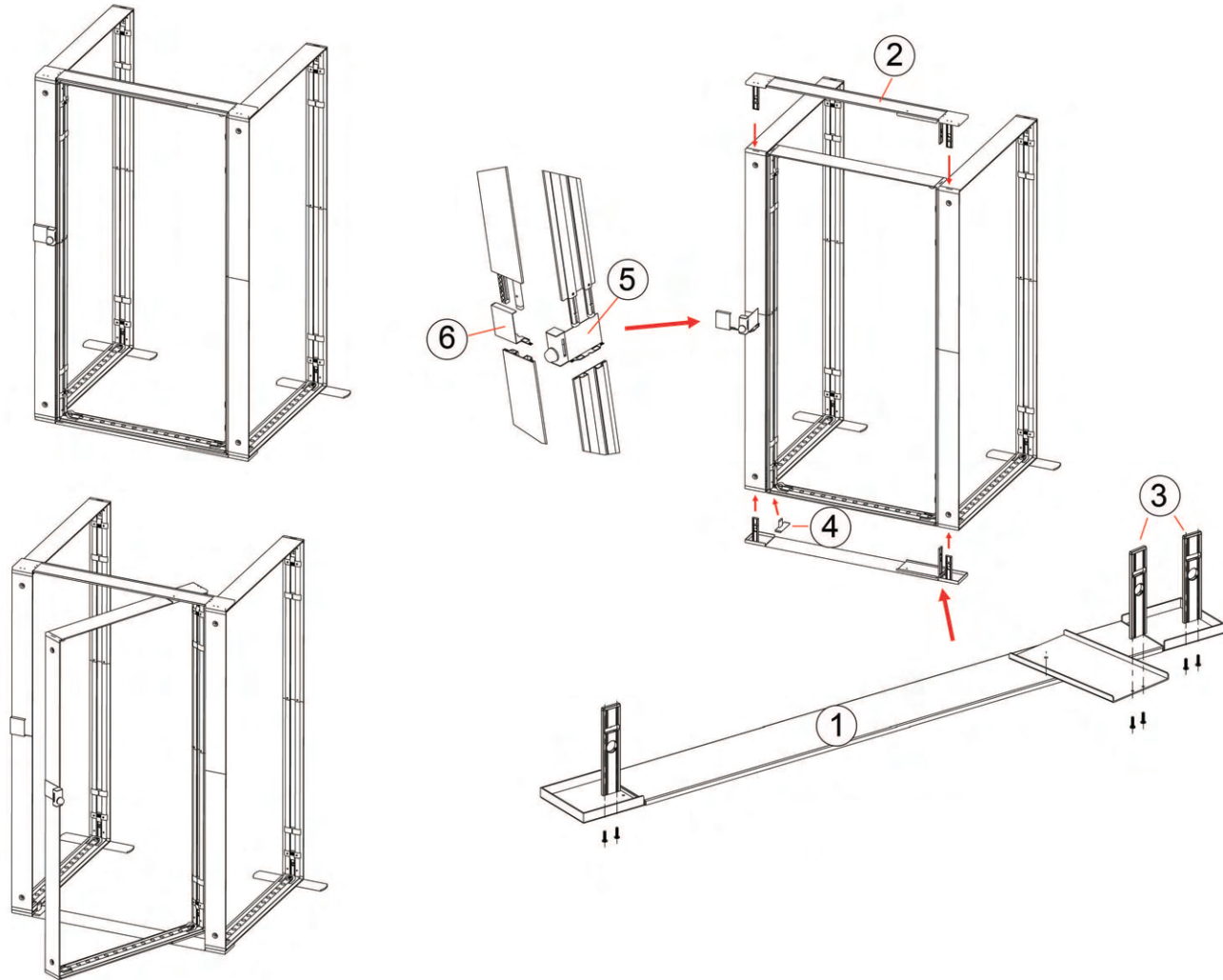
Connectors



The "Bridge Connector for 3M" is utilized in structures measuring 78.74 inches (200 cm) and 118.11 inches (300cm) width.

04

Door kit Option 1



05

Door kit Option 2

