

Hopup Dimension Kit 01

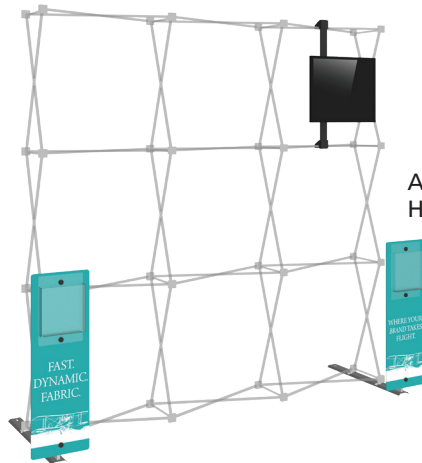
DIMENSION KIT 01: HOP-DIM01-3X3FG-S

ACCESSORY 01: HOP-DIM01

Hopup™ Backwall Dimensions add style, flare and function to any 7½' or 10' wide Hopup straight display. Easily accessorize your Hopup with monitor mounts, counters, tables, and more messaging real estate. Purchase as a complete kit or as an accessory for your existing straight Hopup. Dimensional elements can be placed in the middle, left or right sides of the display.



**DIMENSION KIT 01:
HOP-DIM01-3X3FG-S**



**ACCESSORY 01:
HOP-DIM01**

We are continually improving and modifying our product range and reserve the right to vary the specifications without prior notice. All dimensions and weights quoted are approximate and we accept no responsibility for variance. E&OE. See Graphic Templates for graphic bleed specifications.

features and benefits:

Dimension Kit 01 includes: 7½' wide full height straight backwall, two stand-off rigid graphic accents with literature holders, monitor mount, and two Lumina 200 lights

- **Accessory 01 includes:** two stand-off rigid graphic accents with literature holders and monitor mounts
- Lifetime limited hardware warranty against manufacturer defects

dimensions:

Hardware:

Dimension Kit 01 Assembled unit:
99" w x 91" h x 30.75" d
2514.6mm(w) x 2311.4mm(h) x 781mm(d)

Stand-off rigid accessory (each):
12" w x 37" h x 4.5" d
305mm(w) x 940mm(h) x 114mm(d)

Dimension kit 01 Weight:
46 lbs / 21 kgs

Accessory Kit 01 Weight:
19 lbs / 9 kgs

Carry bag: 2 lbs / 1 kgs

Shipping:

Shipping dimensions:
Dimension Kit 01 (two boxes):
36" l x 13" h x 12" d
914mm(l) x 330mm(h) x 305mm(d)

Accessory 01 (one box):
40" l x 18" h x 7" d
1016mm(l) x 457mm(h) x 178mm(d)

Shipping weight:
Dimension Kit 01 (boxes): 48 lbs / 22 kgs
OCX upgrade: 78 lbs / 36 kgs

Accessory 01 (boxes): 21 lbs / 10 kgs
OCX upgrade: 51 lbs / 23 kgs

Graphics:

Refer to related graphic template for more information.

Visit:
<https://www.theexhibitorshandbook.com/download-graphic-templates>

additional information:

Graphic material:
Dye-sublimation zipper pillowcase fabric

Monitor mount supports 23" monitor,
max weight = 30 lbs (Monitors not included)

Accessory Kit 01 does not include backwall
frame or lights

Distance between rigid graphic stand-off
accessories is 75.5"

Distance between rigid graphic stand-off
accessories and backwall is 7"

Single rigid graphic stand-offs:
HOP-DIM-RIGID STAND OFF

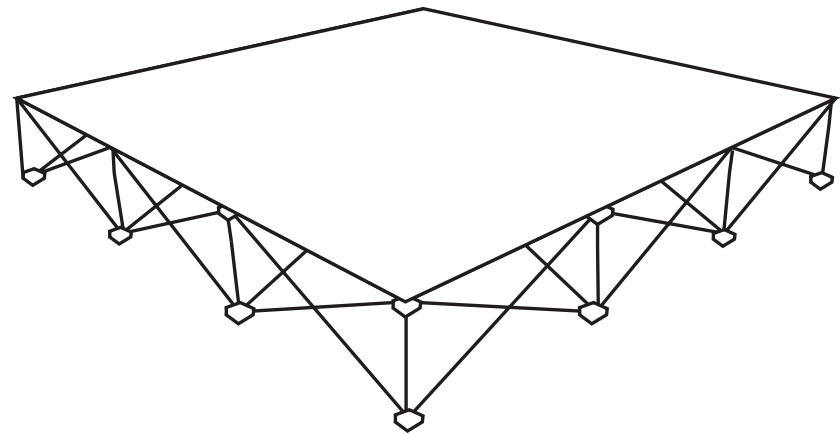
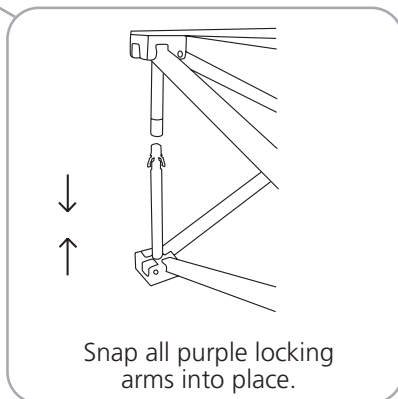
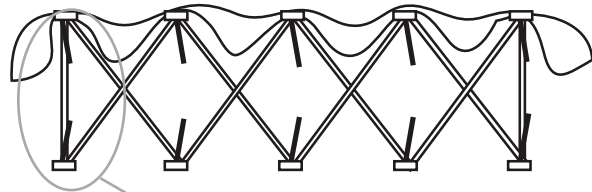
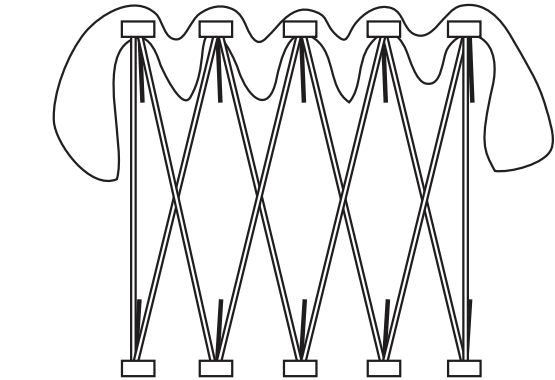
When included in a larger kit, a different
packaging solution will be listed to
accommodate all contents of the kit.
Individual packaging no longer provided.

2 person assembly recommended:



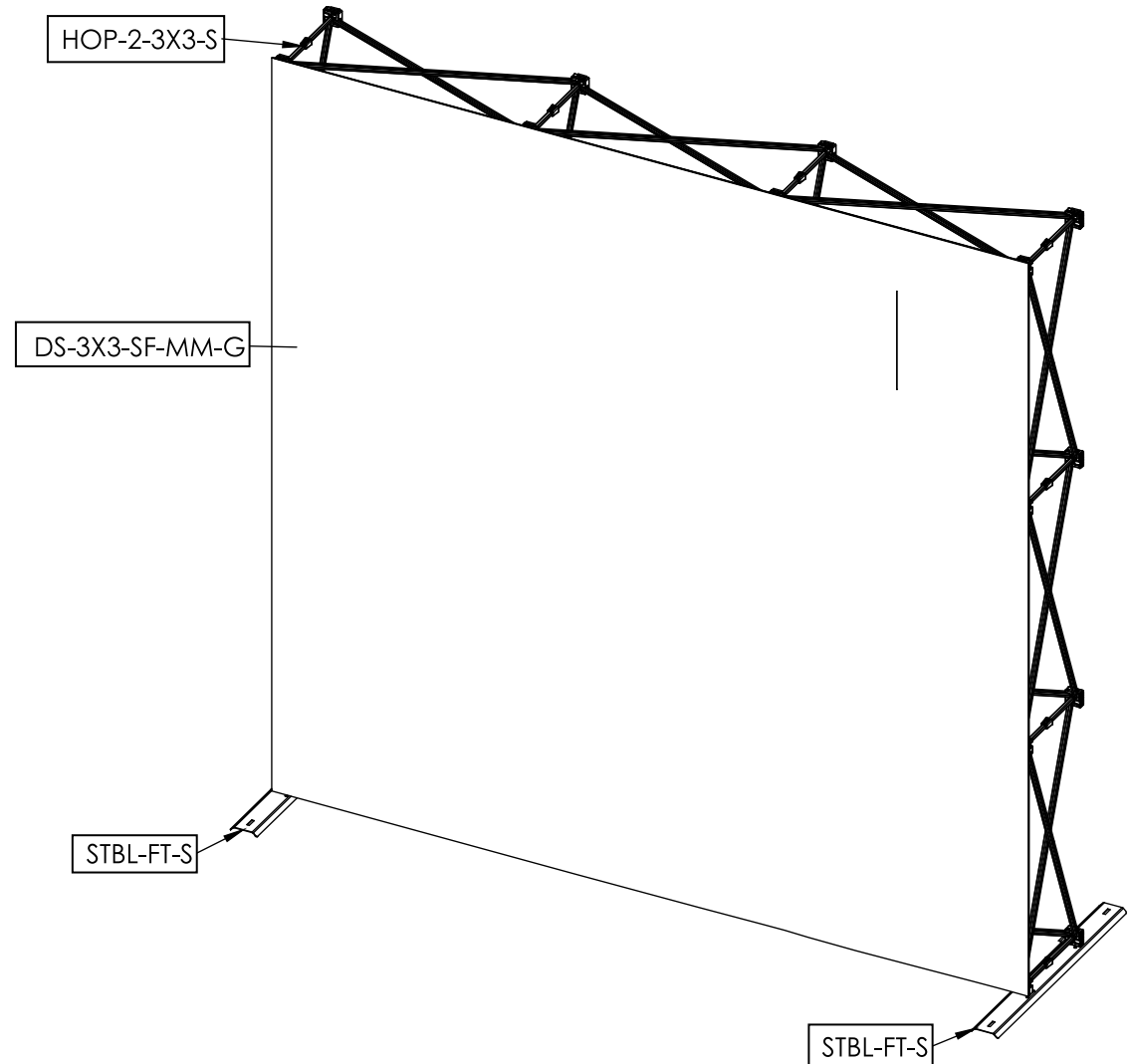
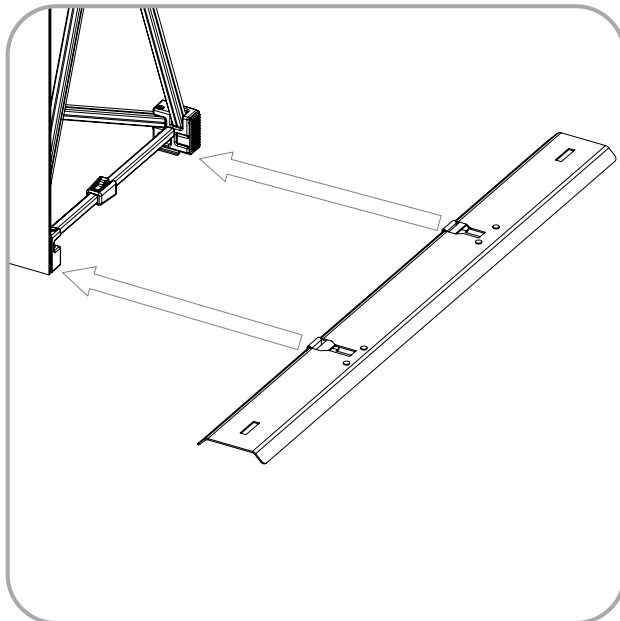
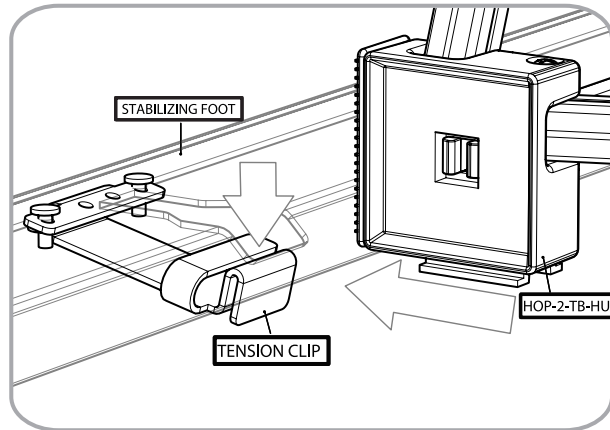
STEP 1: ASSEMBLE FRAME

- Remove unit from rolling bag.
- Stretch frame to size, making sure webbing is not wrapped around purple locking arms.
- Pull frame outward and align purple locking arms.
- Snap all purple locking arms into place.
- Graphic comes pre-attached to Hopup frame. If unit has endcaps, attach endcaps to frame with Velcro.



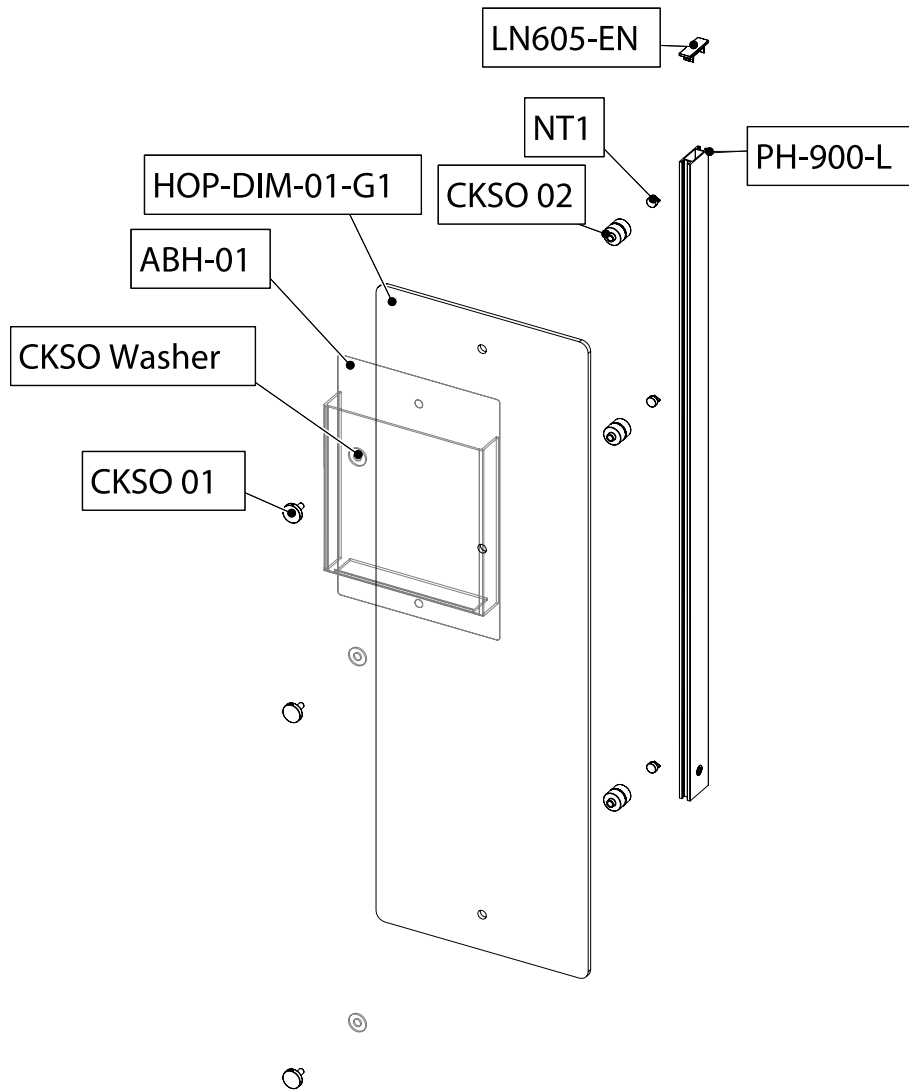
STEP 2: ATTACH STABILIZER FEET

- Flip Hopup on side to access bottom hubs.
- Start with the largest end of the opening and slide stabilizer foot over both hubs. Feet will fit snugly. Push down on the tension clip to insert the hub into the stabilizing foot.
- Stabilizing feet will securely snap lock onto hubs. To release foot press tab and slide.
- Attach the large stabilizing feet on bottom. Then, attach the three smaller stabilizing feet (labelled call outs in the image at the right).



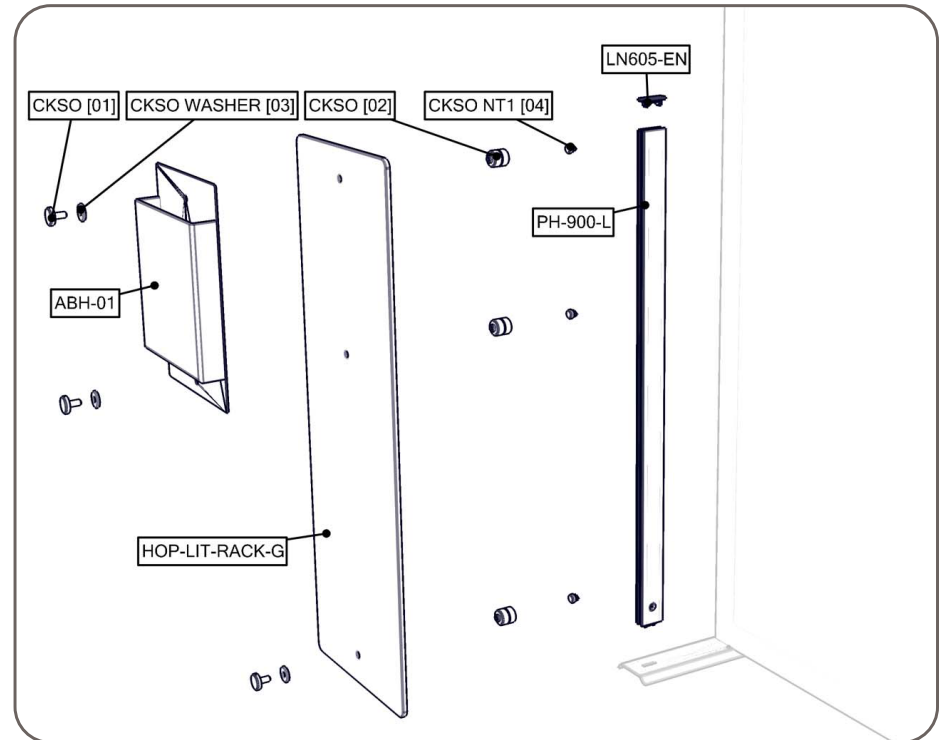
STEP 3: ATTACH GRAPHIC ACCESSORIES

- Attach Literature holder to rigid graphic with CKSO screw and washer.
- Next, attach graphic with literature holder to PH-900-L extrusion with CKSO 02 and NT1 screw set.



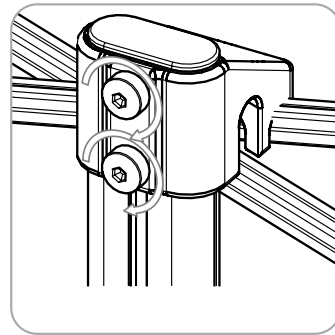
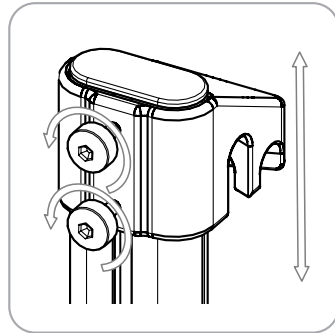
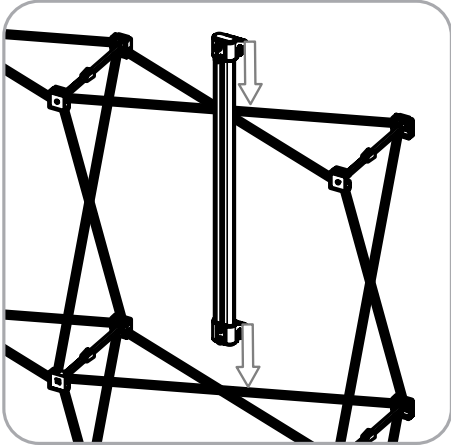
STEP 4: ATTACH ASSEMBLY TO FEET

- Attach rigid stand-off graphic assembly to stabilizing feet with PH-900-L.
- With Allen Key tool, turn only one quarter turn to lock extrusion into place.
- Place cap LN605-EN on top of extrusion PH-900-L.
- Repeat for second graphic accessory.



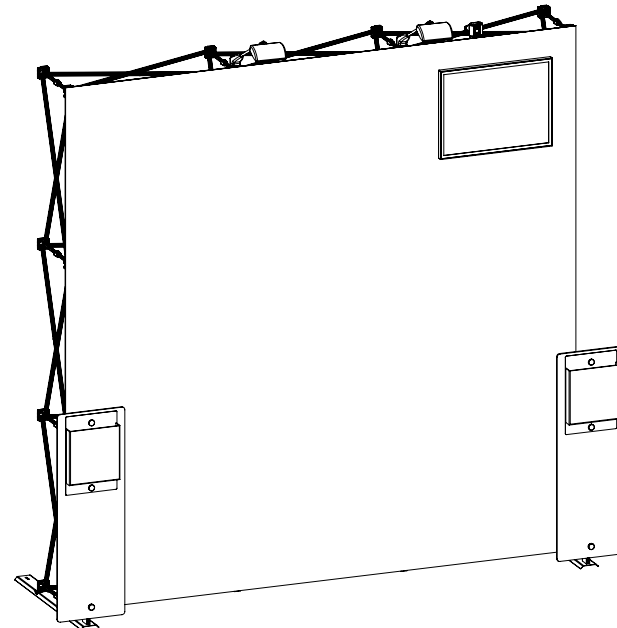
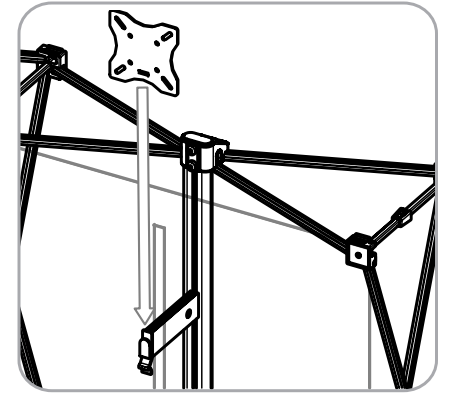
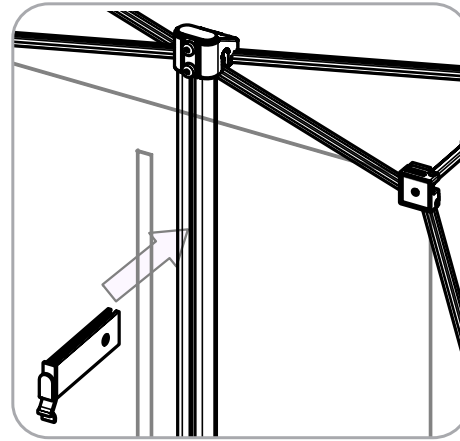
STEP 5: ATTACH MONITOR MOUNT SUPPORT

- Loosen screws on monitor mount to adjust hubs.
- Place hubs on the frame.
- Tighten screws to secure mount.



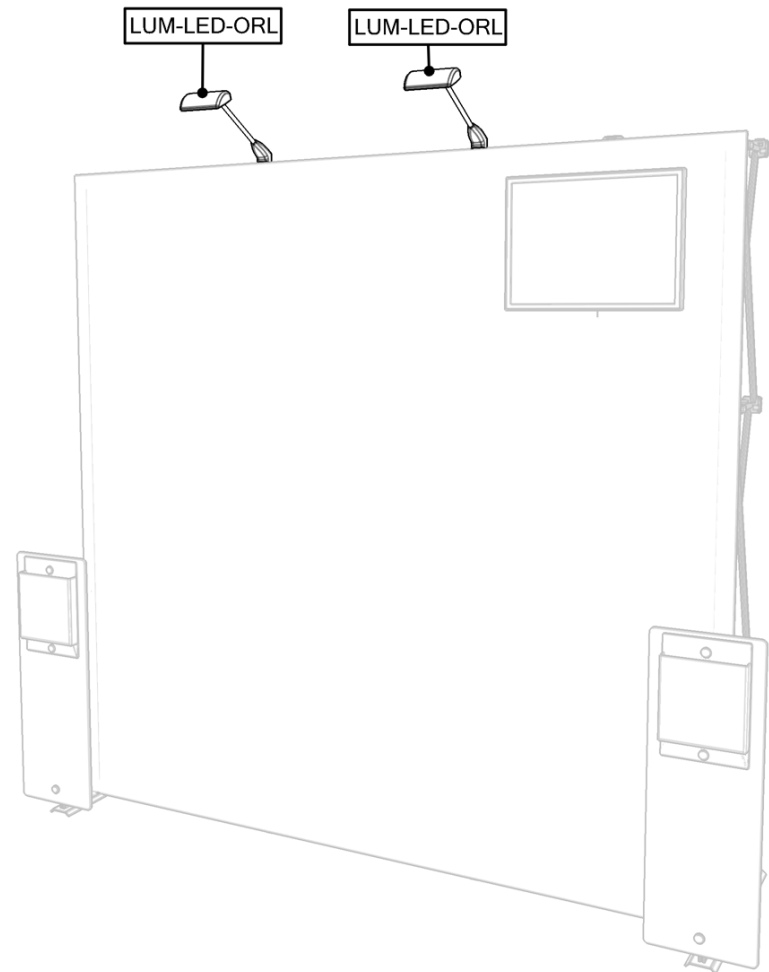
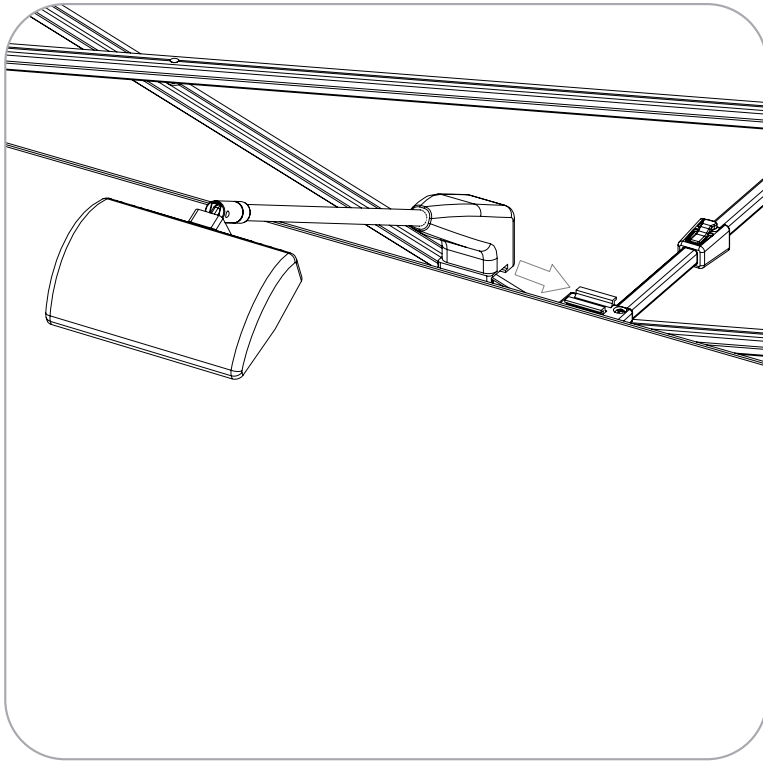
STEP 5 CONTINUED:

- Attach mounting arm through slit in the graphic. With Allen Key tool, turn only one quarter turn to lock extrusion into place.
- Attach monitor to bracket and snap onto arm.



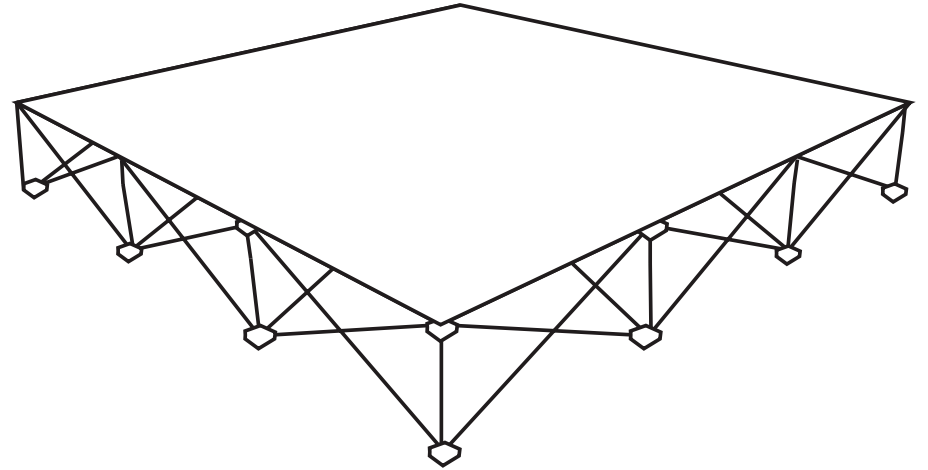
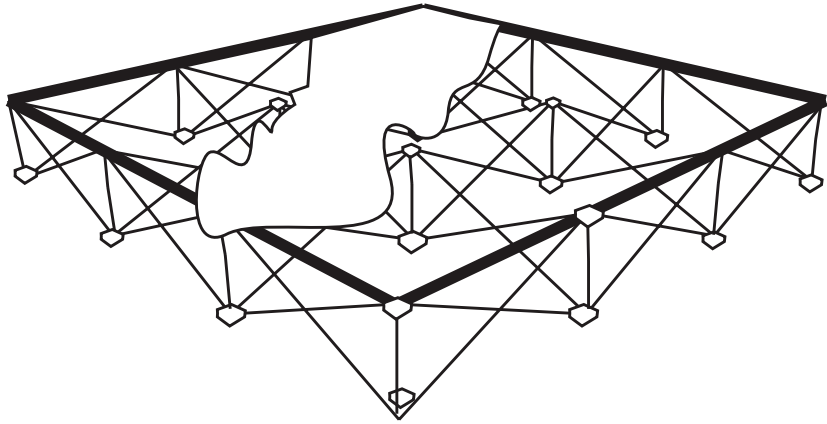
STEP 6: ATTACH LIGHTS

- Attach lights by sliding light onto the dovetail on the hub at the top of the frame.



HOPUP GRAPHIC ATTACHMENT:

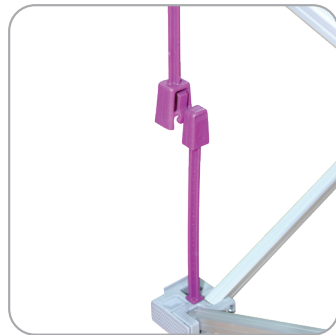
Graphic comes pre-attached to frame. Graphic attaches to the frame with Velcro. To re-attach start in one corner and move on to the next. Graphic application is then complete.



to ensure quality, please note:



If the webbing is wrapped around the purple locking arm, the arm can snap off when opening the unit.



When setting up, ensure that the arms are aligned. If not, the arms will snap when pressure is applied.



When packing unit in the bag, ensure that the strap is not partially wrapped around an arm. If it is, the arm will snap when pulled out of the bag.



When placing in a non-roller bag, ensure that arms are not outside of the bag.



Do not use the purple locking arm to lift unit. ALWAYS lift by the frame.