

Hopup Dimension Kit 04

DIMENSION KIT 04: HOP-DIM04-4X3FGE-S

ACCESSORY 04: HOP-DIM04

Hopup™ Backwall Dimensions add style, flare and function to any 7½' or 10' wide Hopup straight display. Easily accessorize your Hopup with monitor mounts, counters, tables, and more messaging real estate. Purchase as a complete kit or as an accessory for your existing straight Hopup. Dimensional elements can be placed in the middle, left or right sides of the display.



**DIMENSION KIT 04:
HOP-DIM04-4X3FGE-S**



**ACCESSORY 04:
HOP-DIM04**

We are continually improving and modifying our product range and reserve the right to vary the specifications without prior notice. All dimensions and weights quoted are approximate and we accept no responsibility for variance. E&OE. See Graphic Templates for graphic bleed specifications.

features and benefits:

Dimension Kit 04 includes: 10' wide full, height straight backwall, stand-off counter with top and bottom fabric graphic messaging area, and two Lumina 200 lights

- Accessory 04 includes: stand-off counter with top and bottom fabric graphics
- Lifetime limited hardware warranty against manufacturer defects

dimensions:

Hardware:

Dimension Kit 03 assembled unit:
118.75" w x 91" h x 29" d
3016.25mm(w) x 2311.4mm(h) x 736.6mm(d)

Stand-off counter:
30" w x 90.375" h x 11.25" d
762mm(w) x 2295.5mm(h) x 285.75mm(d)

Dimension Kit 03 Weight:
60 lbs / 28 kgs

Accessory Kit 03 Weight:
32 lbs / 15 kgs

Carry bag: 2 lbs / 1 kgs

Shipping:

Shipping dimensions:
Dimension Kit 04 (two boxes):
36" l x 15" h x 13" d
914mm(l) x 381mm(h) x 330mm(d)

Accessory Kit 04 (one box):
40" l x 18" h x 7" d
1016mm(l) x 457mm(h) x 178mm(d)

Shipping weight:
Dimension Kit 04 (two boxes): 70 lbs / 32 kgs
OCX upgrade option: 82 lbs / 38 kgs

Accessory Kit 04 (one box): 34 lbs / 16 kgs
OCX upgrade option: 64 lbs / 30 kgs

Graphics:

Refer to related graphic template for more information.

<https://www.theexhibitorshandbook.com/download-graphic-templates>

additional information:

Graphic material:
Dye-sublimation zipper pillowcase fabric

Counter holds max weight of 35 lbs

Accessory Kit 04 does not include backwall frame or lights

When included in a larger kit, a different packaging solution will be listed to accommodate all contents of the kit. Individual packaging no longer provided.

Tabletop Colors:

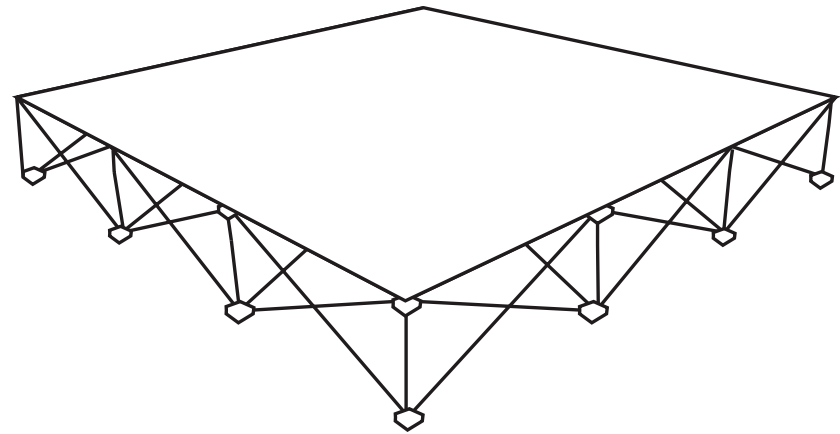
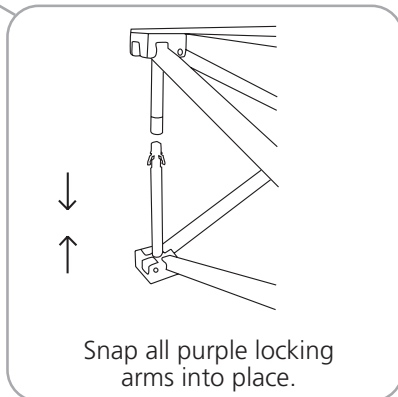
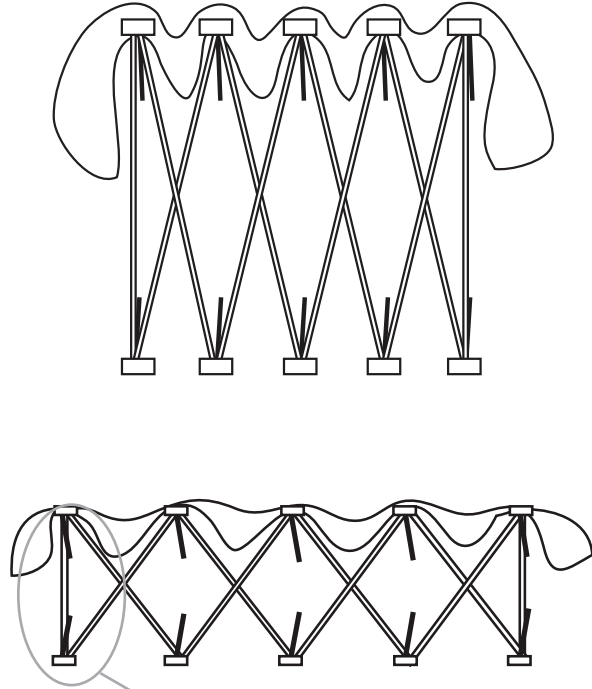


2 person assembly recommended:



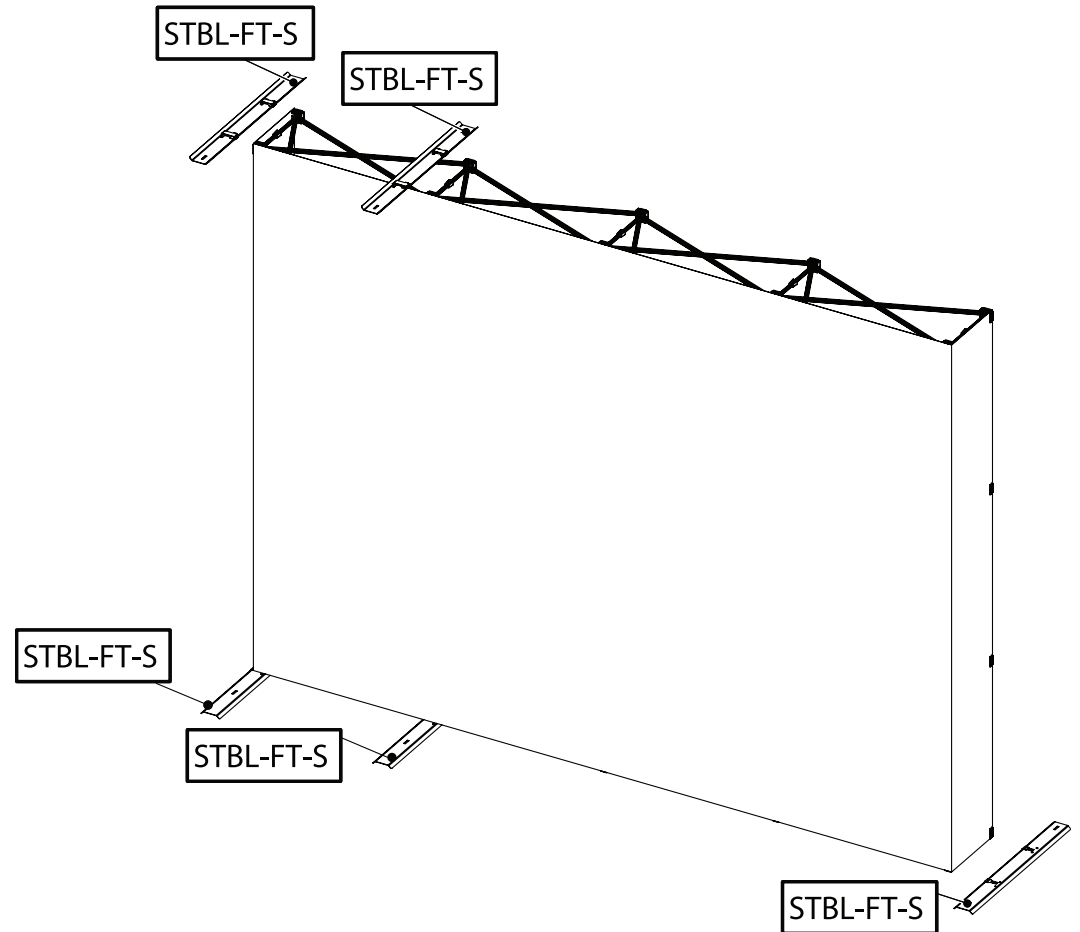
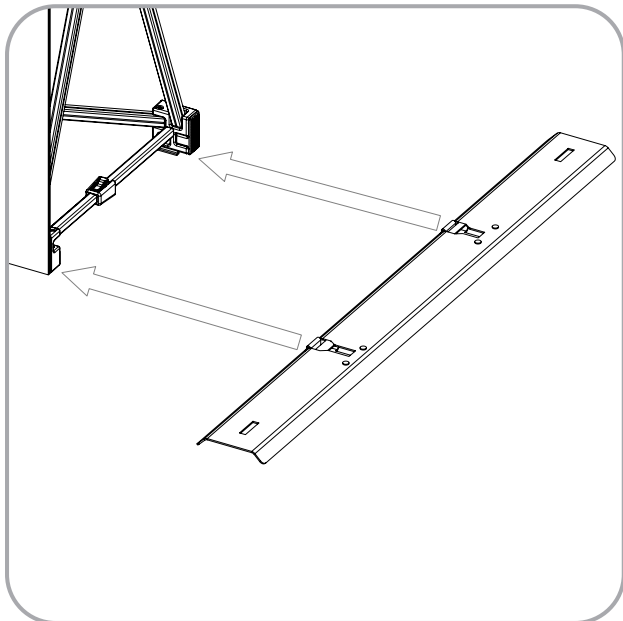
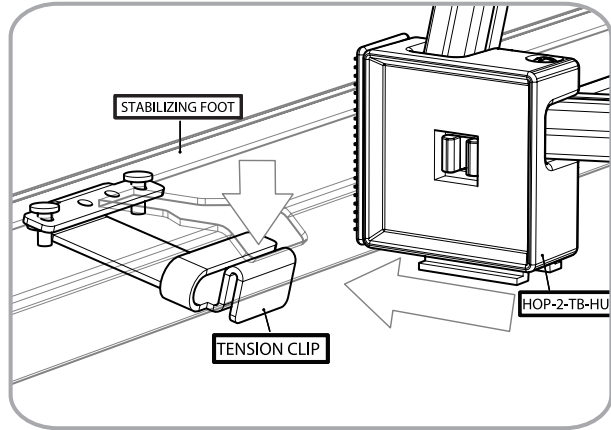
STEP 1: ASSEMBLE FRAME

- Remove unit from rolling bag.
- Stretch frame to size, making sure webbing is not wrapped around purple locking arms.
- Pull frame outward and align purple locking arms.
- Snap all purple locking arms into place.
- Graphic comes pre-attached to Hopup frame. If unit has endcaps, attach endcaps to frame with Velcro.



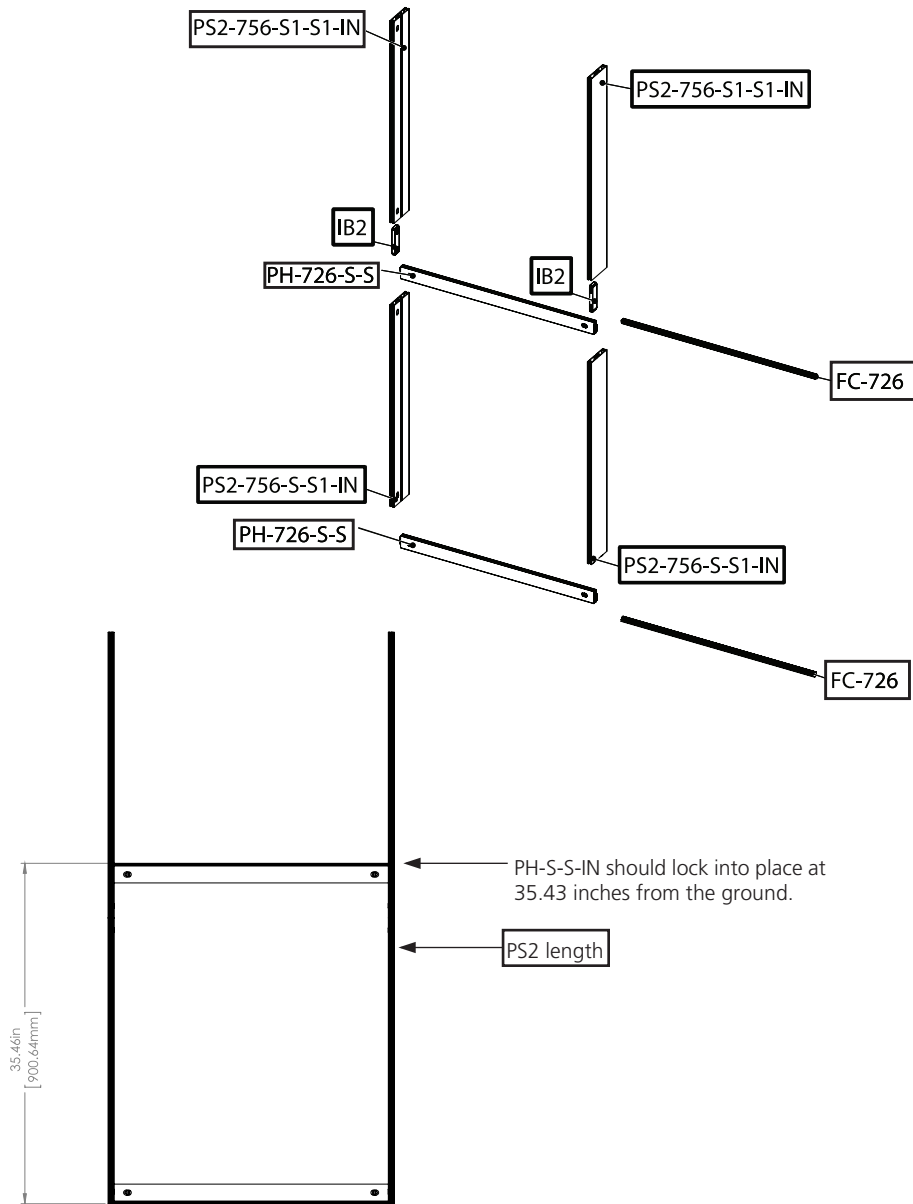
STEP 2: ATTACH STABILIZER FEET

- Flip Hopup on side to access bottom hubs.
- Start with the largest end of the opening and slide stabilizer foot over both hubs. Feet will fit snugly. Push down on the tension clip to insert the hub into the stabilizing foot.
- Stabilizing feet will securely snap lock onto hubs. To release foot press tab and slide.
- Attach the large stabilizing feet on bottom. Then, attach the three smaller stabilizing feet (labelled call outs in the image at the right).



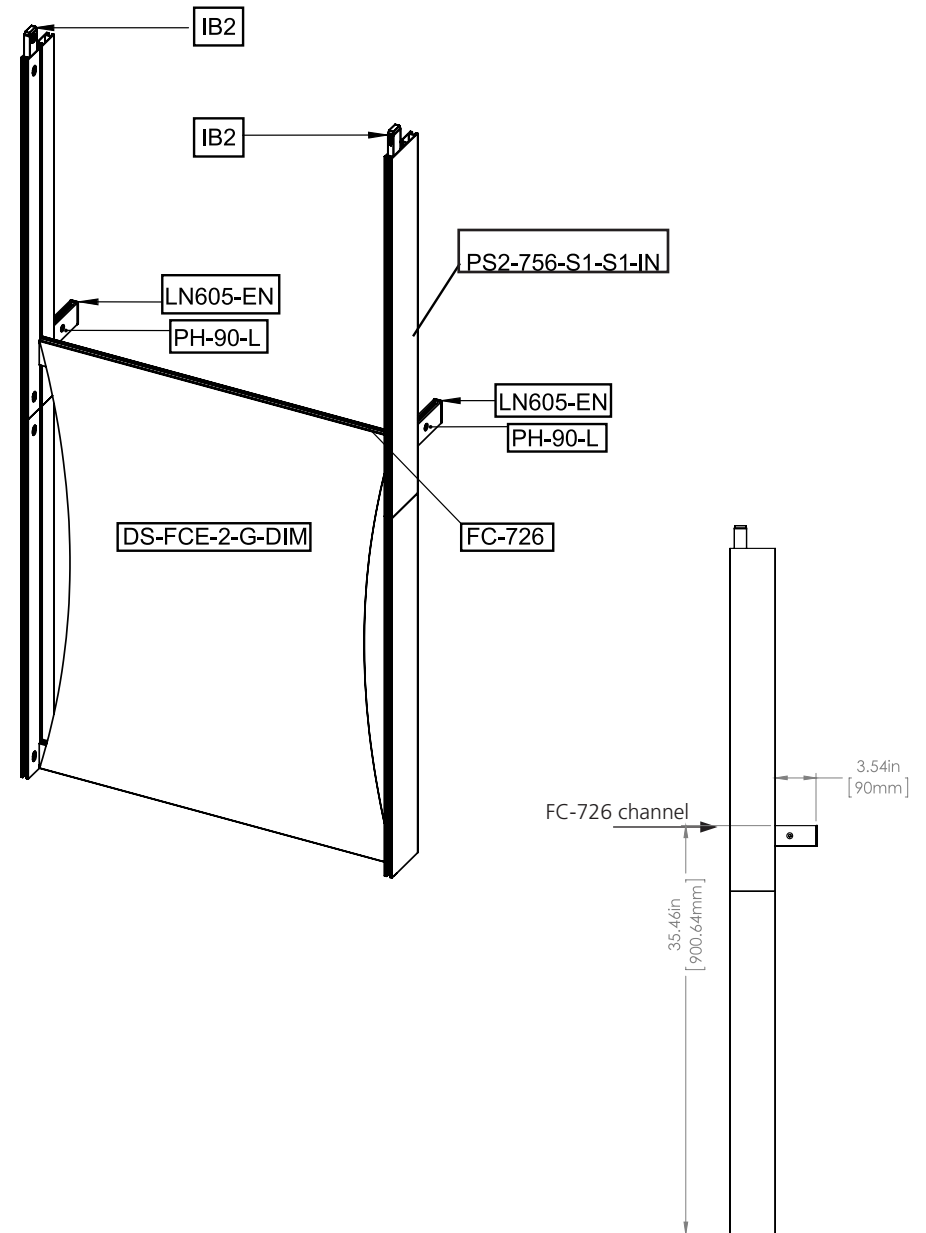
STEP 3: ASSEMBLE COUNTER FRAME

- Insert IB2 into hole locations on PS2-756-S1-S1-IN. With Allen Key tool, turn one quarter turn to lock into place.
- Slide FC-726 into channel PH-726-S-S.
- Then lock PH-726-S-S-IN into the internal channels on the PS2-756-S1-S1-IN.



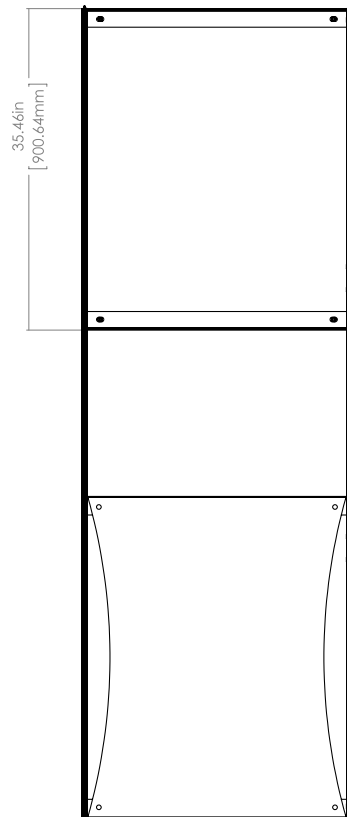
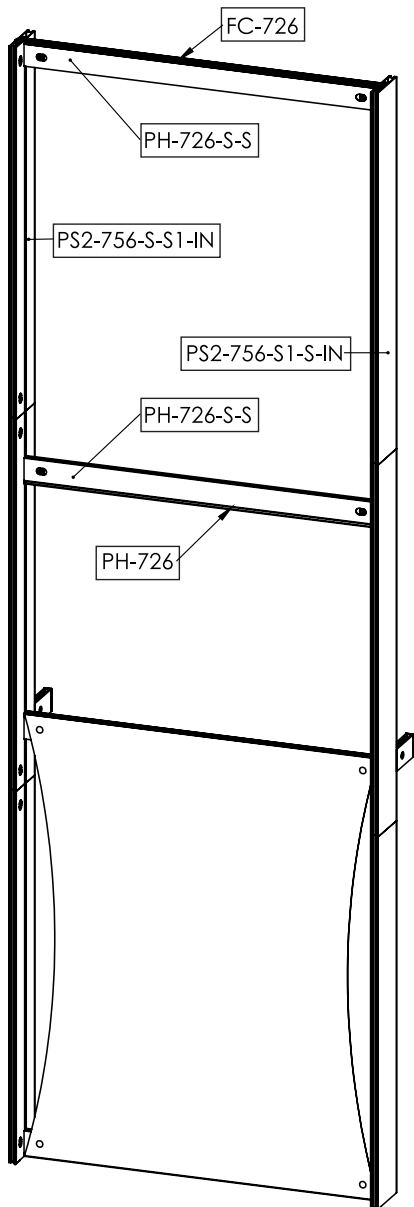
***Note:** All PS2-756-S1-S1-IN pieces are the same length.

- Lock PH-90-L onto the rear channel of the PS2-756-S1-S1-IN at location shown in image. With Allen Key tool, turn only one quarter turn to lock into place.
- Push silicon graphic edge (DS-FCE-2-G-DIM) into FC-726 channel.



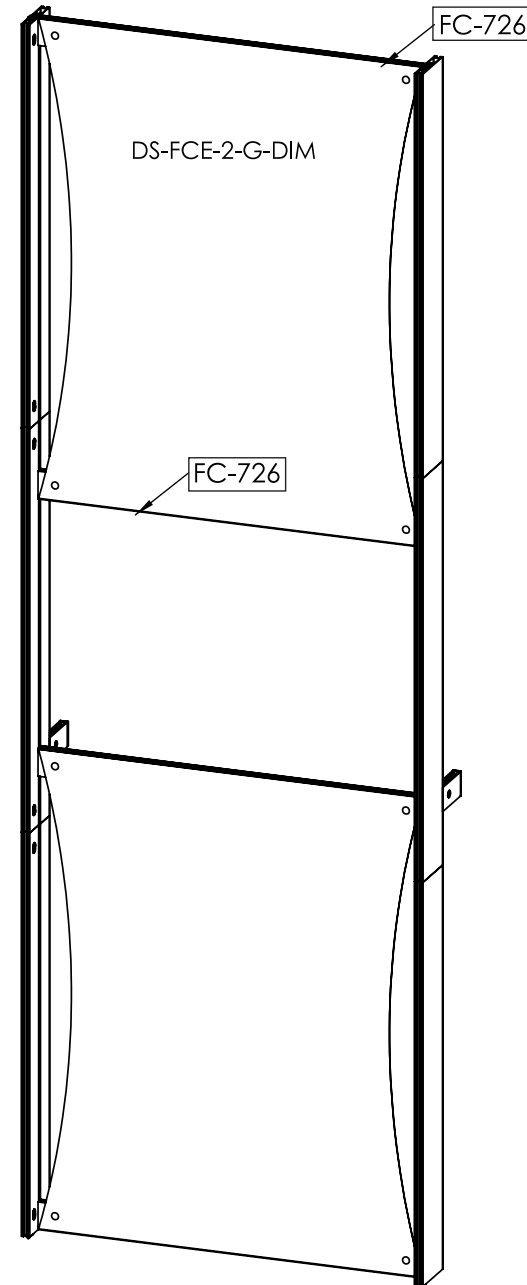
STEP 3 CONTINUED:

- Assemble top of frame by inserting vertical extrusion (PS2-756-S-S1-IN and PS2-756-S1-S-IN) onto IB2 connectors. With Allen Key tool, turn one quarter turn to lock into place.
- Slide FC-726 into channel PH-726-S-S. Using Allen key tool, lock PH-726-S-S into the internal channels on PS2-756-S-S.



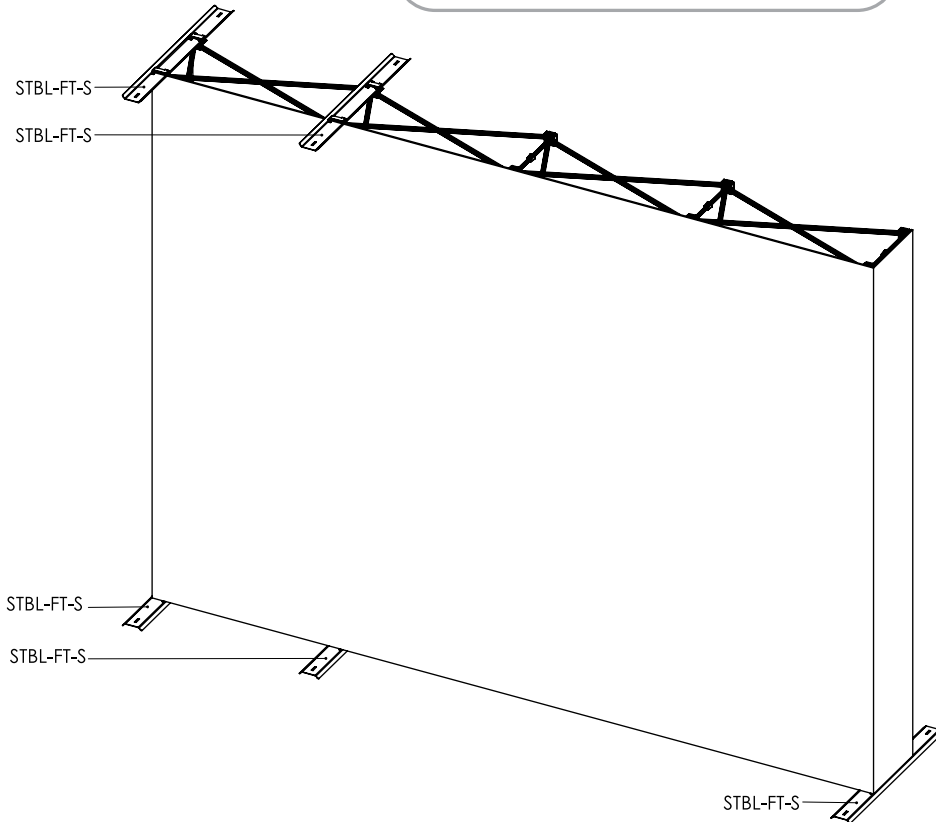
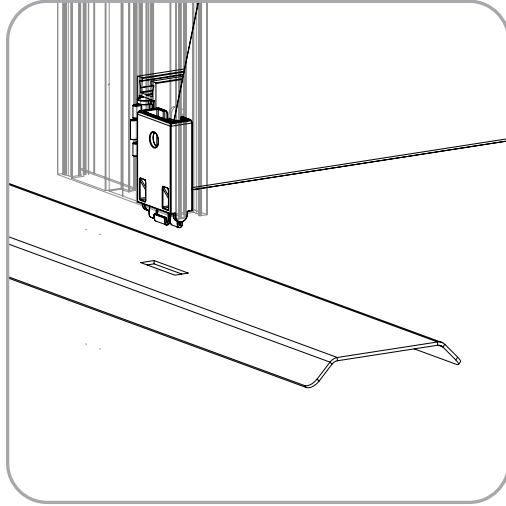
STEP 4: INSTALL GRAPHICS

- Push silicon graphic edge (DS-FCE-2-G-DIM) into the FC-726 channel.



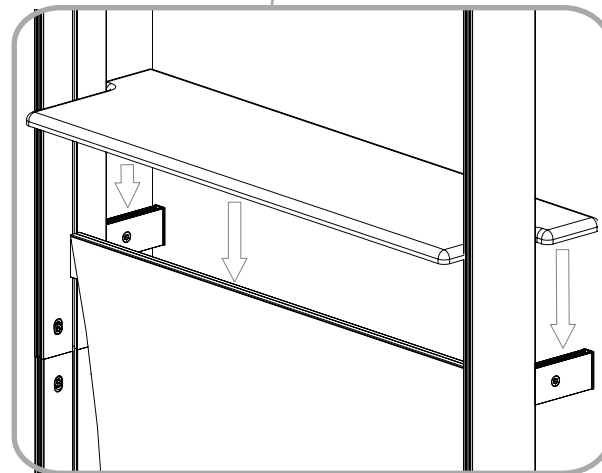
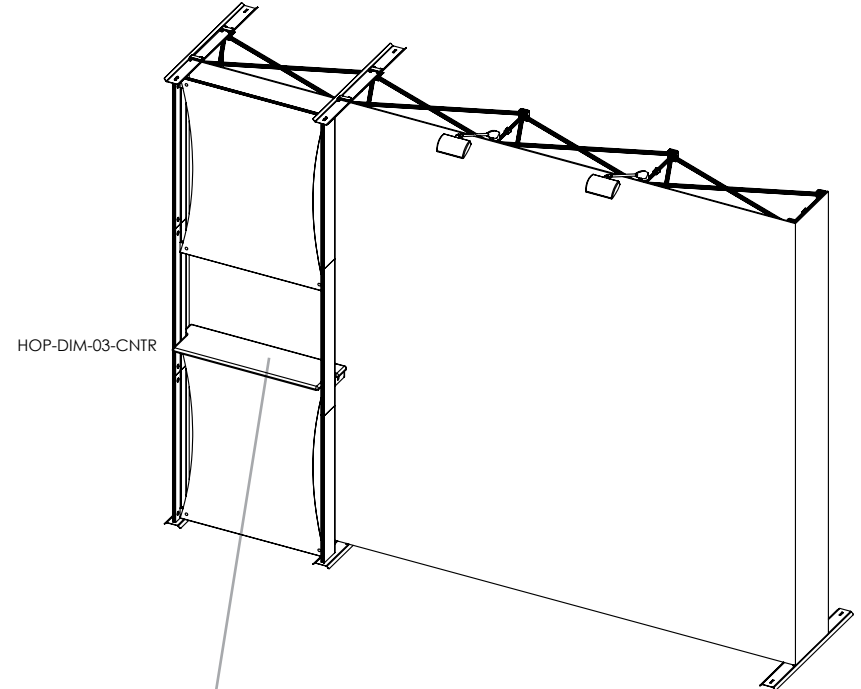
STEP 5: ATTACH COUNTER FRAME

- Lock counter frame onto top and bottom stabilizing feet, using fixed cam lock. With Allen Key tool, turn one quarter turn to lock into place.



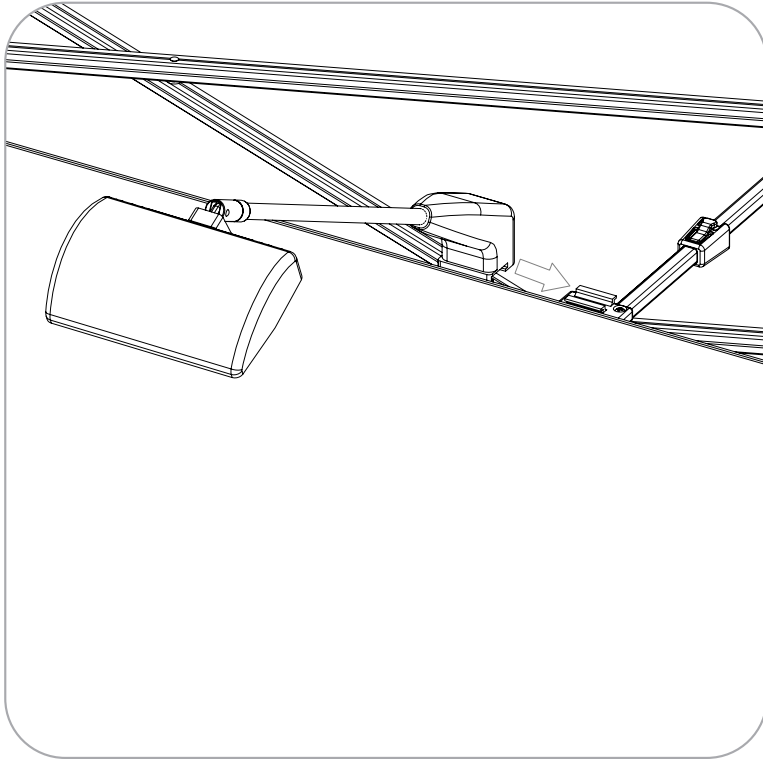
STEP 6: ATTACH ACCESSORIES

- Attach counter to frame.



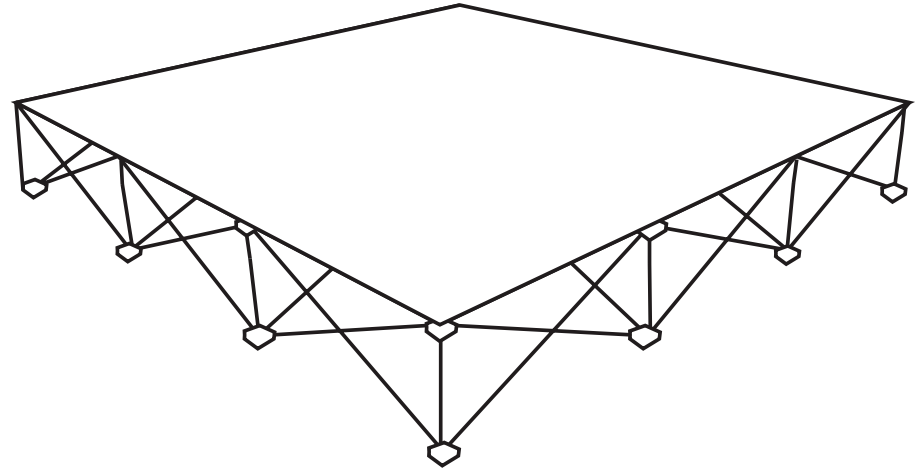
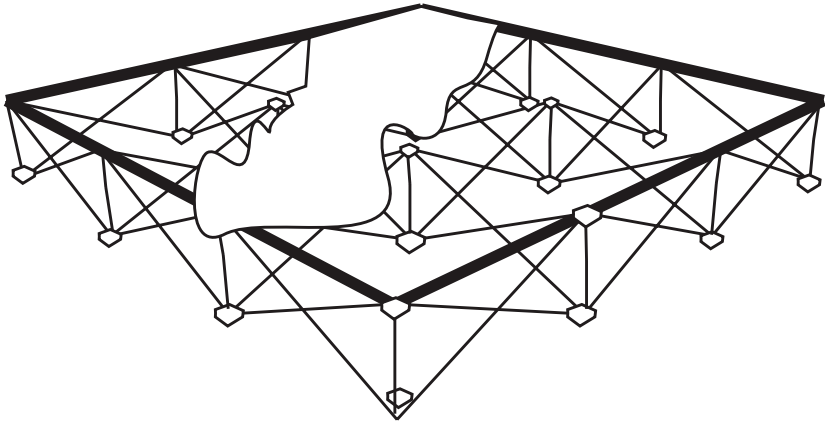
STEP 6 CONTINUED:

- Attach lights by sliding light onto the dovetail on the hub at the top of the frame.



HOPUP GRAPHIC ATTACHMENT:

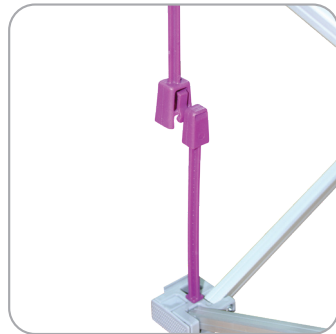
- Graphic comes pre-attached to frame. Graphic attaches to the frame with Velcro.
- To re-attach start in one corner and move on to the next. Graphic application is then complete.



to ensure quality, please note:



If the webbing is wrapped around the purple locking arm, the arm can snap off when opening the unit.



When setting up, ensure that the arms are aligned. If not, the arms will snap when pressure is applied.



When packing unit in the bag, ensure that the strap is not partially wrapped around an arm. If it is, the arm will snap when pulled out of the bag.



When placing in a non-roller bag, ensure that arms are not outside of the bag.



Do not use the purple locking arm to lift unit. ALWAYS lift by the frame.