

MODify 4-Sided Kit 01

MODify™ is a one-of-a-kind Modular Merchandising System that is made up of interchangeable fixtures and accessories that can be easily assembled, disassembled, and rearranged to create a variety of different display configurations. The MODify system incorporates SEG push-fit fabric graphics that enable you to brand, promote and merchandise with ease.

MODify 4-Sided Kit 01 is a freestanding, four-sided illuminated tower. The tower features two full-height custom printed graphic panels on two sides, while the other two sides are equipped with slatwall panels with graphics on top. LED lights inside the tower make it glow.



We are continually improving and modifying our product range and reserve the right to vary the specifications without prior notice. All dimensions and weights quoted are approximate and we accept no responsibility for variance. E&OE. See Graphic Templates for graphic bleed specifications

features and benefits:

Base Kit includes:

- Frame, slatwall, shelf and base colors in kit are all the same, your choice of all white, black, or silver
- Heavy-duty aluminum frame, steel base
- Steel, slotted uprights
- Four frames & LED lights inside the tower make it glow
- Two 36"W x 72"H slatwall panels on two sides with 36"W x 73"H graphics on top
- Two 36"W x 141"H full height graphic panels
- Display is easy to assemble and install
- Lifetime hardware warranty against manufacturer defects

Optional Accessories Include:

- Towel bars.
- Faceout bars
- Waterfalls
- U bars
- Slatwall hooks
- Shelves

dimensions:

Hardware

Assembled unit:

39"W x 144"H x 39"D
990.6mm(w) x 3657.6mm(h) x 990.6mm(d)

Approximate Weight:
226 lbs / 102.512 kg

Shipping

Packing case(s):

1 Box

Shipping dimensions:
(96" L x 14" H x 24" D)
2438.4mm(l) x 355.6mm(h) x 609.6mm(d)

Approximate shipping weight:
302 lbs / 136.985 kg

additional information:

Graphics

Graphic material: Dye-sublimated fabric

See graphic templates for graphic sizes.

Refer to related graphic templates for more information Visit:

<https://www.theexhibitorshandbook.com/downloads/download-graphic-templates>
or click here

Powder coat color options:

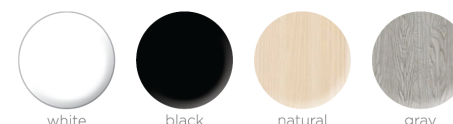


white

black

silver

Wood laminate color options:



white

black

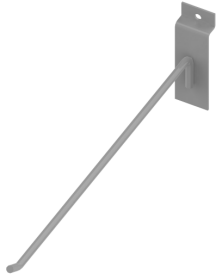
natural

gray

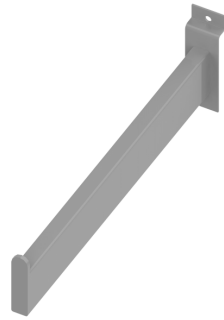
MODify Accessories

All Accessories available in white, black, or silver

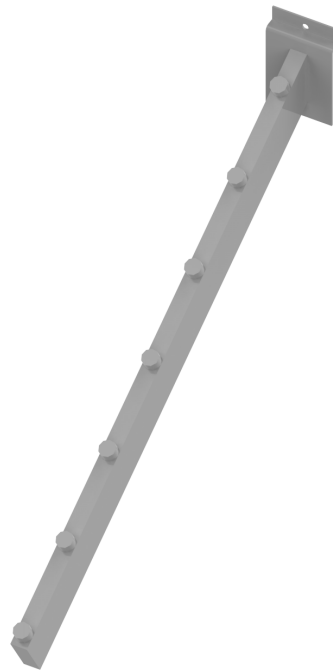
Slotwall Accessories



MFY-SLT-HK
4", 6", 8", 10" & 12"

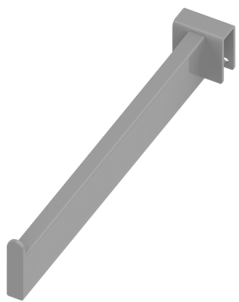


MFY-SLT-FC
6", 8", 10" & 12"

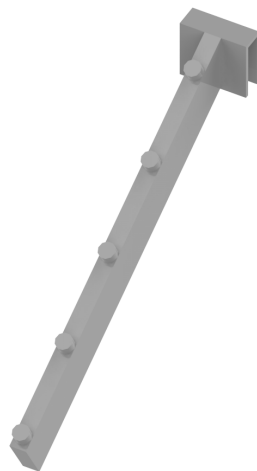


MFY-SLT-WTR-16-7

U-Bar Accessories

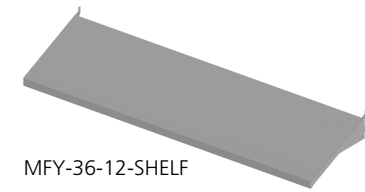


MFY-TWL-FC
6", 8" & 10"

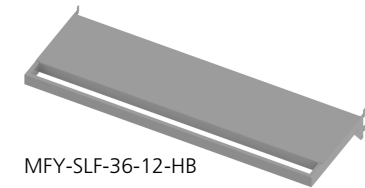


MFY-UBR-FC
6", 8" & 10"

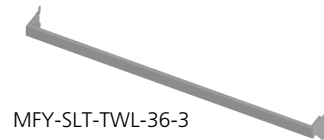
Shelf and Hanger Bars



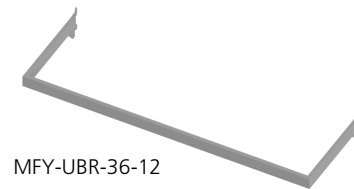
MFY-36-12-SHELF



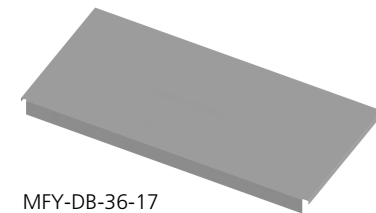
MFY-SLF-36-12-HB



MFY-SLT-TWL-36-3



MFY-UBR-36-12



MFY-DB-36-17

Tools Required



MULTI HEX KEY
(INCLUDED)



PHILLIPS SCREW DRIVER
(NOT INCLUDED)

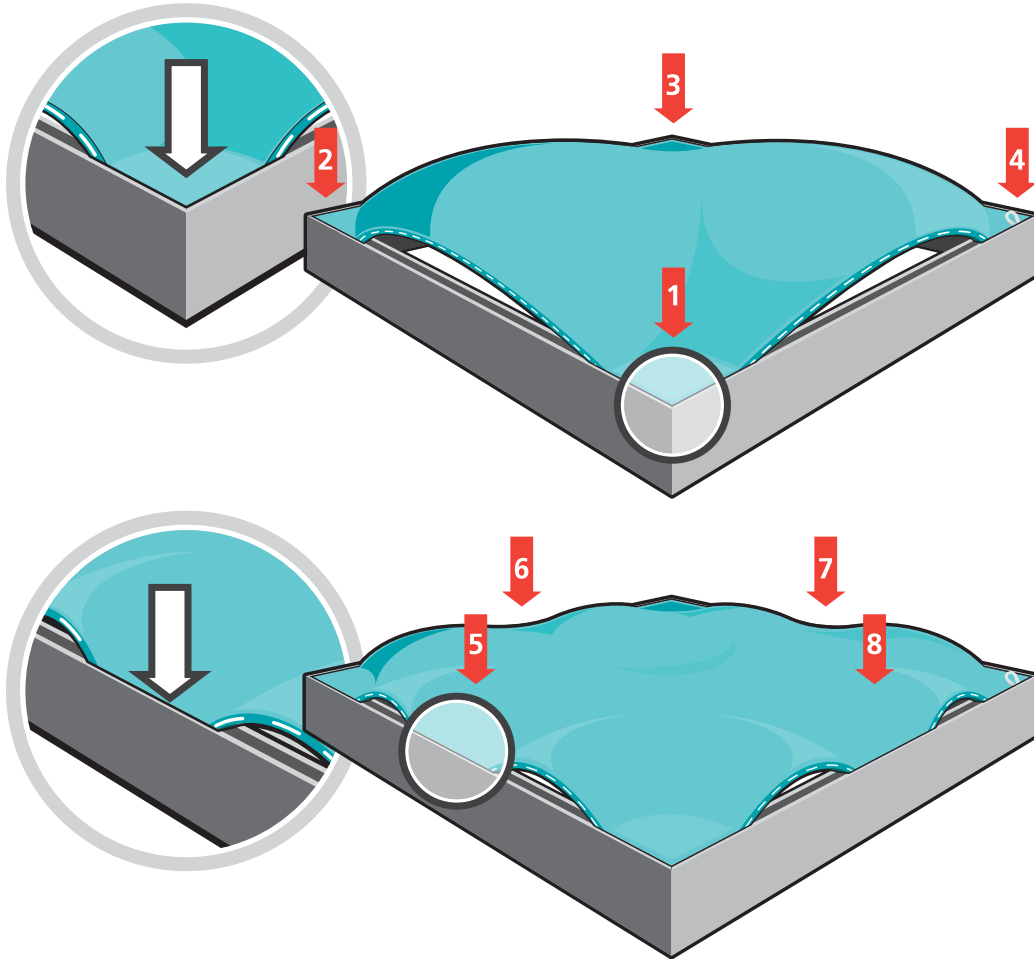


9/16" SOCKET WRENCH
(NOT INCLUDED)

How to Apply & Remove Graphics

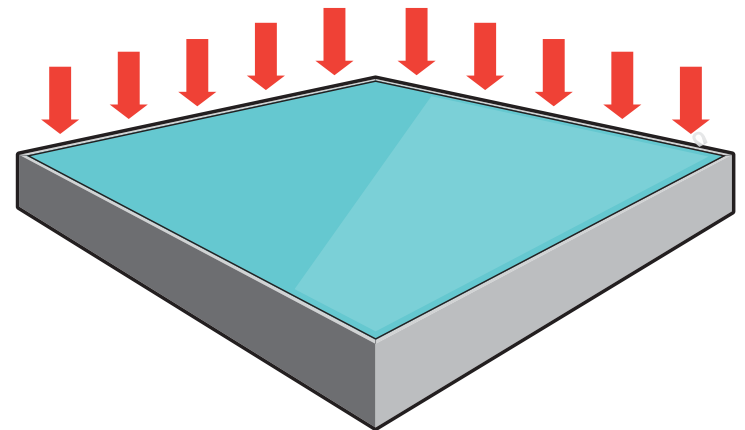
Installation and removal of SEG graphics is easy!

Installation: Push the SEG bead into each corner of the frame (1-4) with your thumb, then push the SEG bead into the middle of the run (5-8) and work your way around the perimeter of the frame until all beading is pushed in properly; if necessary, go around the perimeter again to ensure beading is secure in the extrusion profile.



Note: Keep the set up area clean by using a drop cloth, washing hands before set-up or by wearing gloves.






Removal: Use the pull tab located on the graphic and gently pull the graphic from the frame, going around the perimeter.

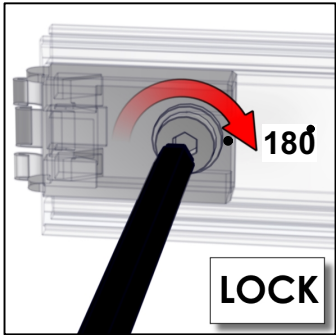


Graphics Storage & Care

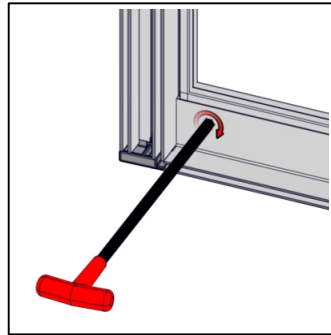
Graphics should be folded with the graphic facing inward and stored in a zip lock /sealable plastic bag. Spot clean by wiping with a damp white cloth. If washing is necessary, use a commercial size front-loading washing machine, gentle cycle with cool water. Line dry flat. Dry cleaning is NOT recommended to prevent shrinkage.

SETUP INSTRUCTIONS

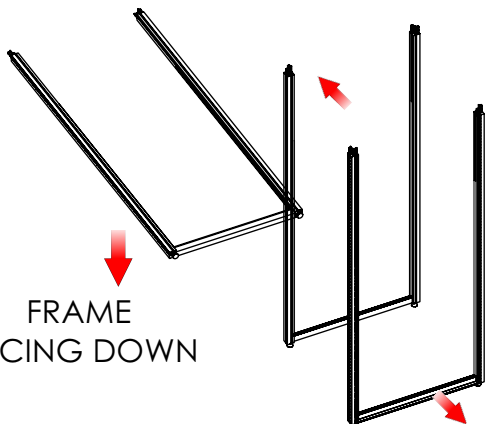
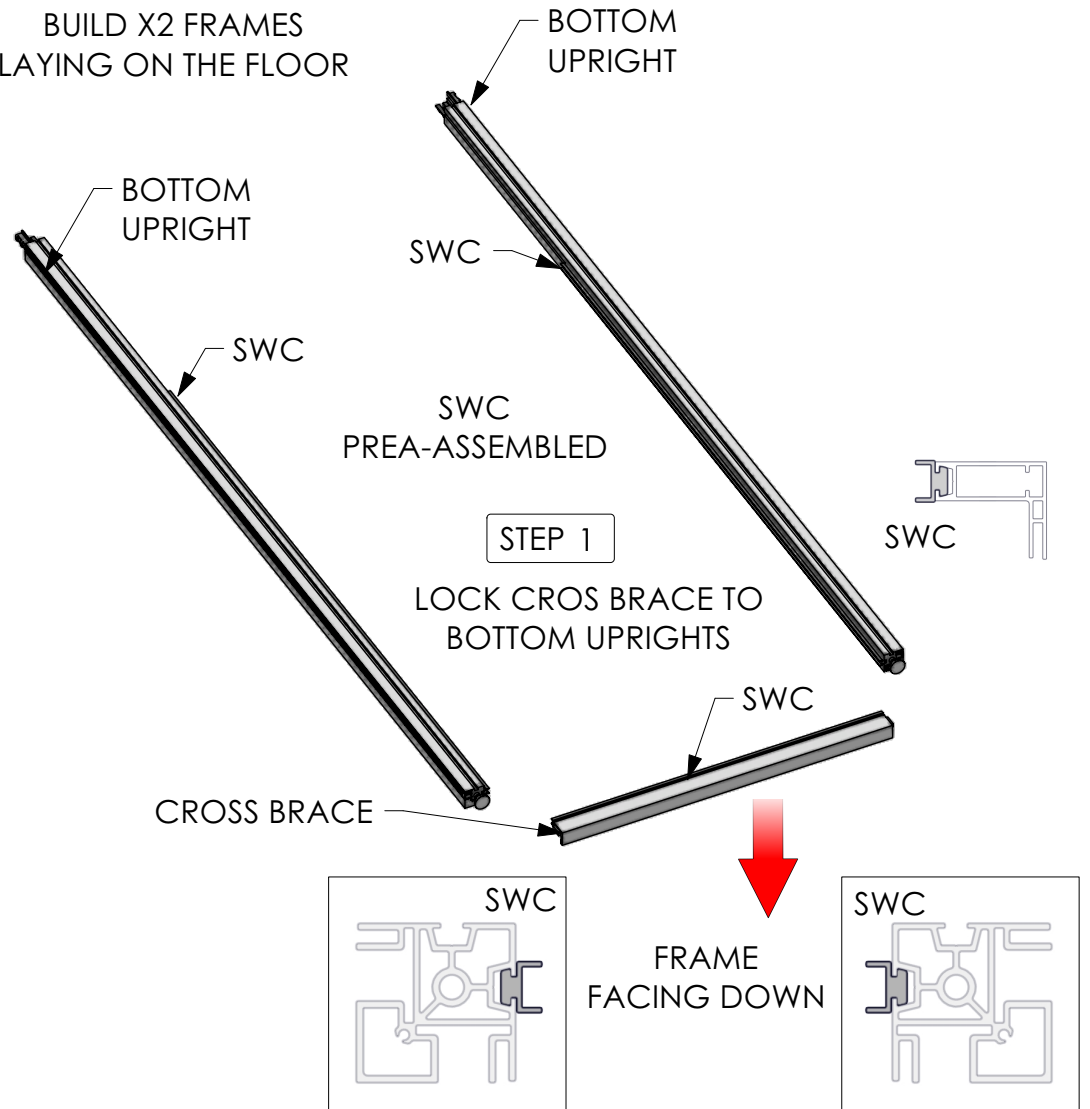
QTY	IMAGE	DESCRIPTION
4		2300MM (90.55in) BOTTOM UPRIGHT
2		1740MM (68.50in) LENGTH OF SHELF STANDARD EXTRUSION
2		883MM (34.76in) OF SINGLE SIDED SEG EXTRUSION -WITH CAM LOCKS BOTH ENDS
4		1668MM (65.67in) OF SWC EXTRUSION
2		883MM (34.76in) OF SWC EXTRUSION



IMPORTANT! MAKE A HALF TURN TO LOCK EXTRUSIONS



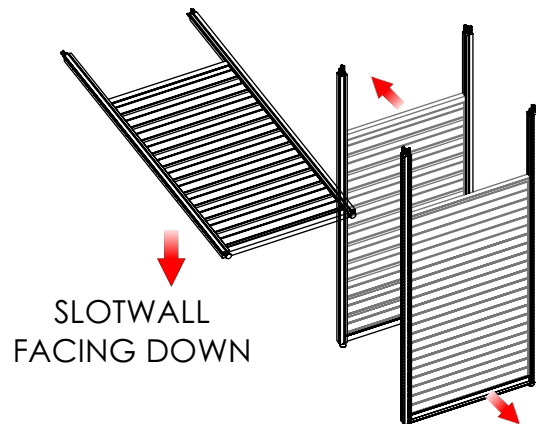
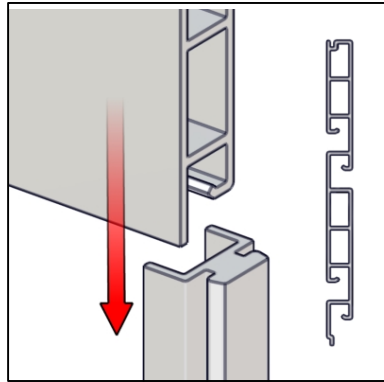
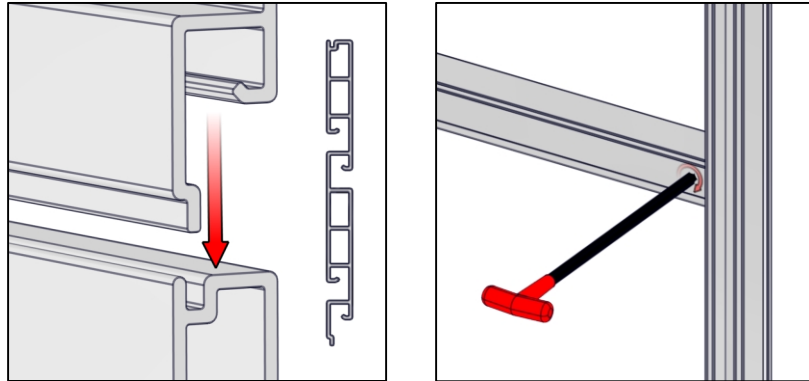
BUILD X2 FRAMES LAYING ON THE FLOOR



SETUP INSTRUCTIONS

QTY	IMAGE	DESCRIPTION
2		883MM (34.7in) OF SINGLE SIDED SEG EXTRUSION -WITH CAM LOCKS BOTH ENDS
2		883MM (34.7in) OF SWC EXTRUSION
22		879MM (34.6in) LENGTH OF SLOTWALL EXTRUSION

BUILD X2 FRAMES LAYING ON THE FLOOR

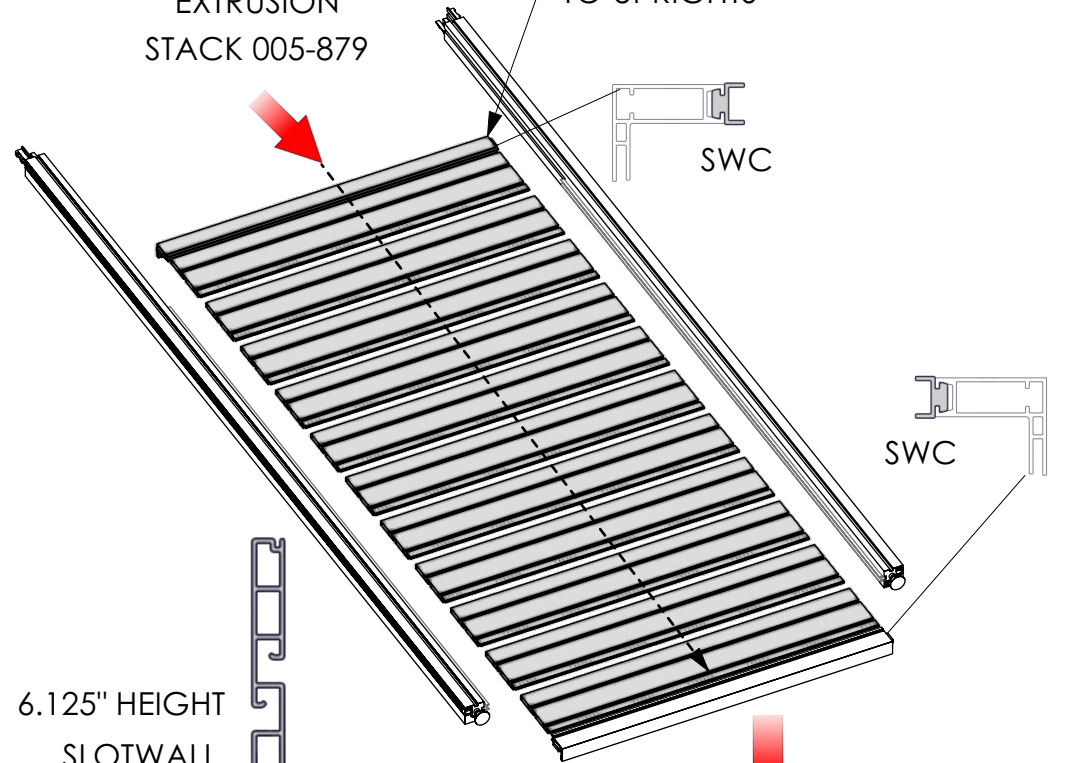


STEP 2

SLOTWALL
EXTRUSION
STACK 005-879


STEP 3

LOCK CROSS BRACE
TO UPRIGHTS

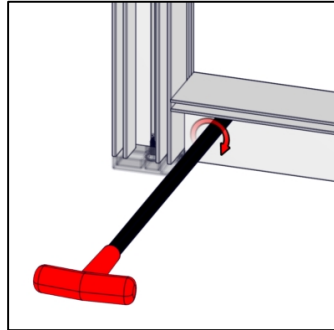
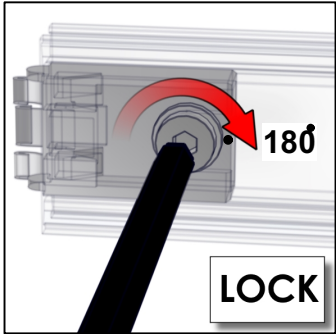


6.125" HEIGHT
SLOTWALL

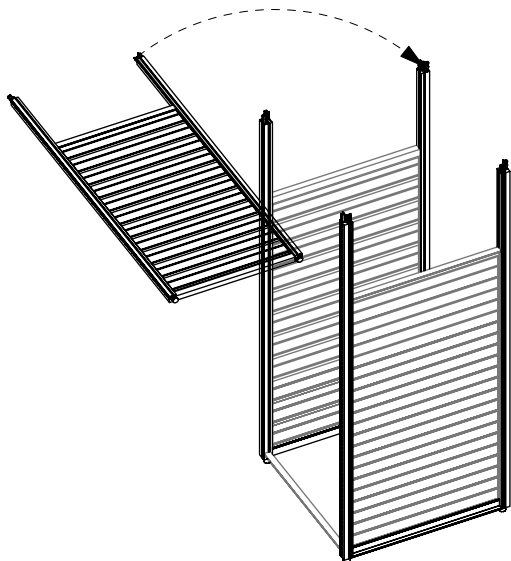
SLOTWALL
FACING DOWN

QTY	IMAGE	DESCRIPTION
2		883MM (34.7in) OF SINGLE SIDED SEG EXTRUSION -WITH CAM LOCKS BOTH ENDS

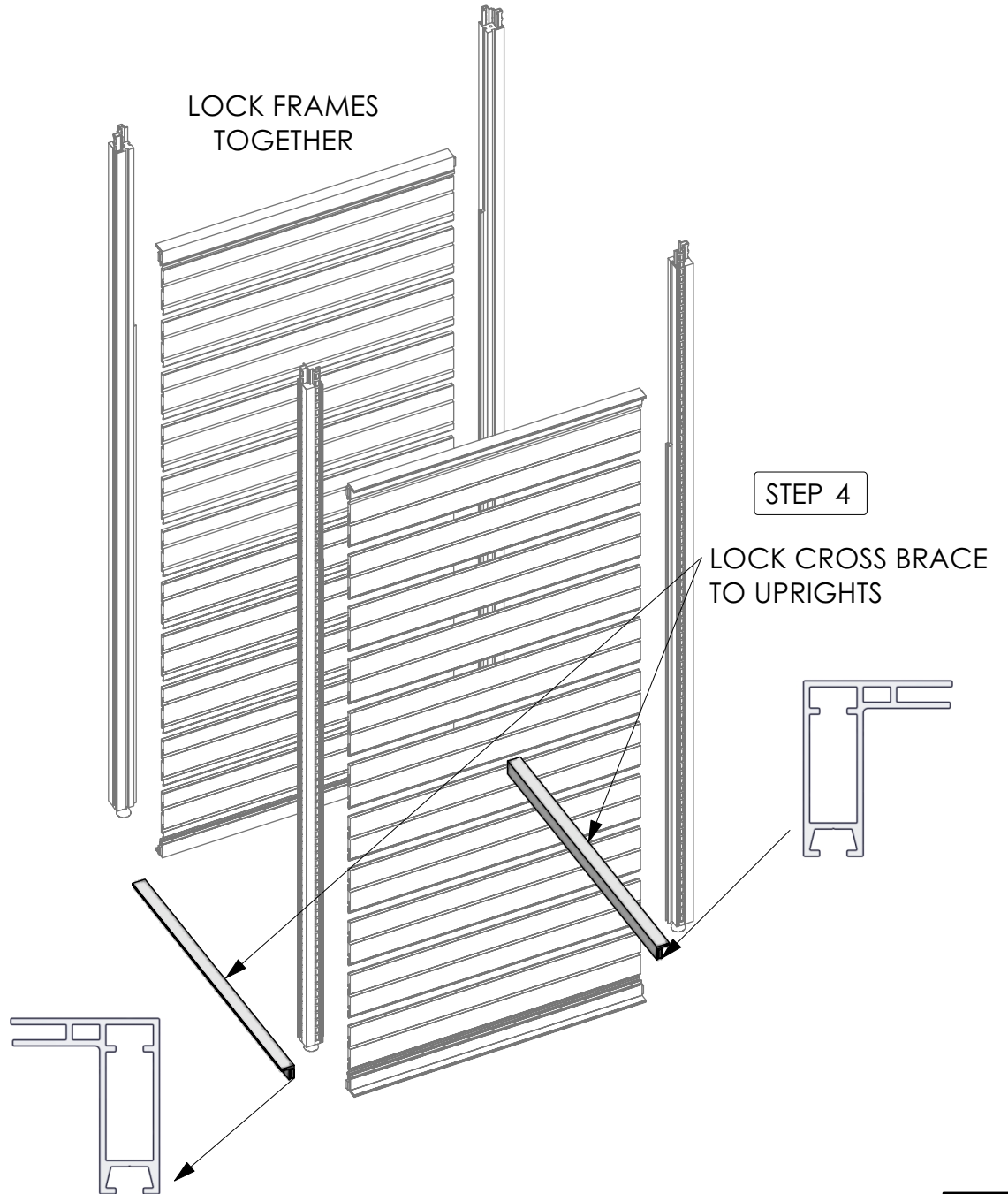
SETUP INSTRUCTIONS



IMPORTANT! MAKE A HALF TURN
TO LOCK EXTRUSIONS





LOCK FRAMES
TOGETHER

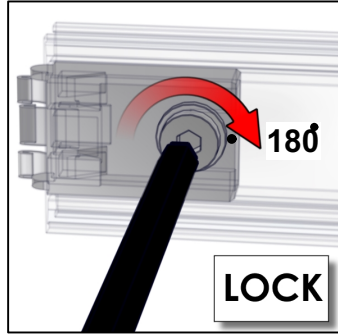


STEP 4

LOCK CROSS BRACE
TO UPRIGHTS

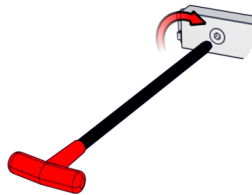
QTY	IMAGE	DESCRIPTION
4		1318MM (51.89in) TOP UPRIGHT
2		883MM LENGTH OF PH1 EXTRUSION-WITH CAM LOCKS BOTH ENDS

SETUP INSTRUCTIONS

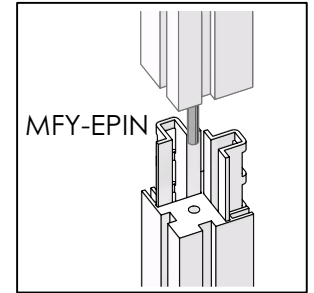
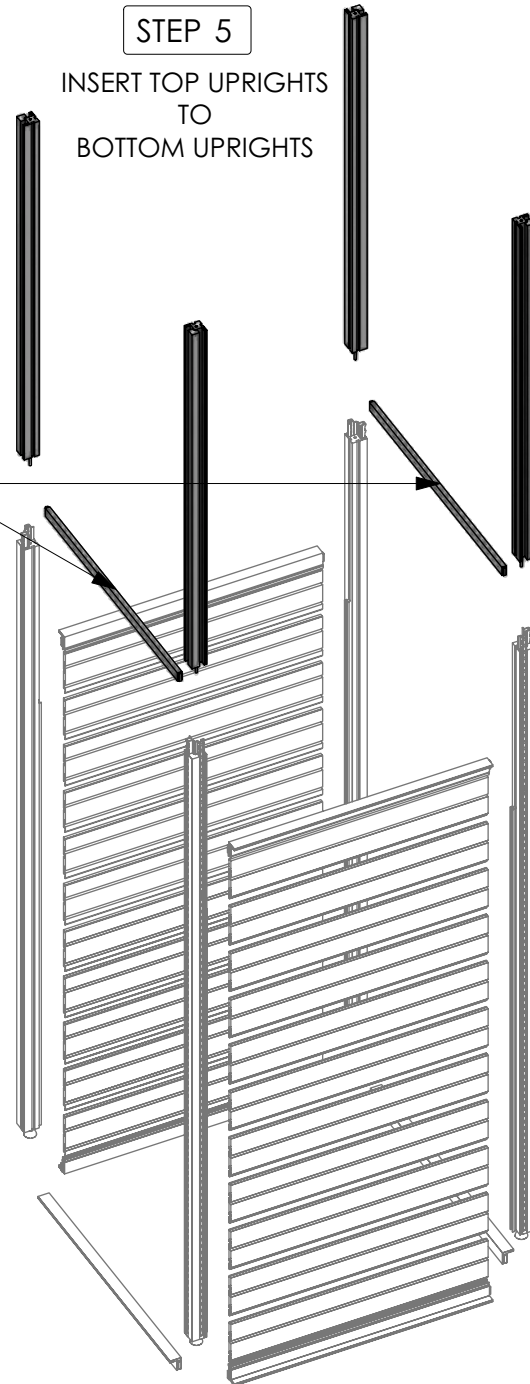


IMPORTANT! MAKE A HALF TURN TO LOCK EXTRUSIONS

STEP 6
LOCK CROSS BRACE TO UPRIGHTS



STEP 5
INSERT TOP UPRIGHTS TO BOTTOM UPRIGHTS



MFY-EPIN

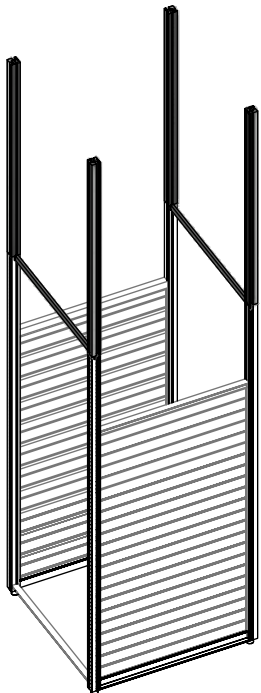
EXTENSION PIN



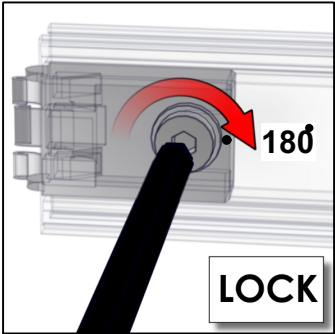
TOP UPRIGHT EXTENSION PIN



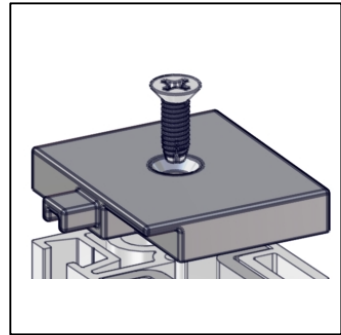
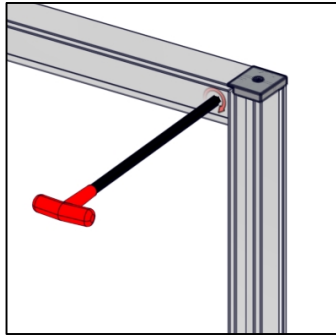
BOTTOM UPRIGHT



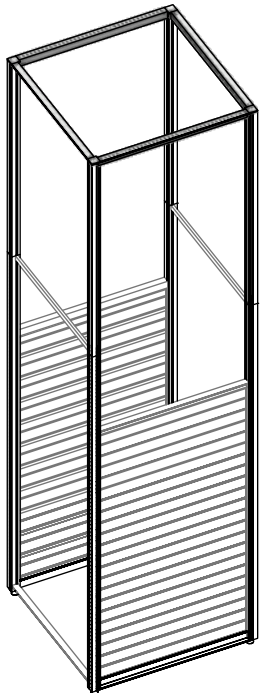
QTY	IMAGE	DESCRIPTION
2		883MM (34.7in) OF SINGLE SIDED SEG EXTRUSION -WITH CAM LOCKS BOTH ENDS-WITH CENTER NOTCH ON INSIDE
2		883MM (34.7in) OF SINGLE SIDED SEG EXTRUSION -WITH CAM LOCKS BOTH ENDS
4		7MM SEG PLASTIC END CAP FOR 825 EXTRUSION



IMPORTANT! MAKE A HALF TURN TO LOCK EXTRUSIONS

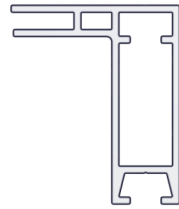


LOOSEN END CAP TO ATTACH TOP CROSS BRACE

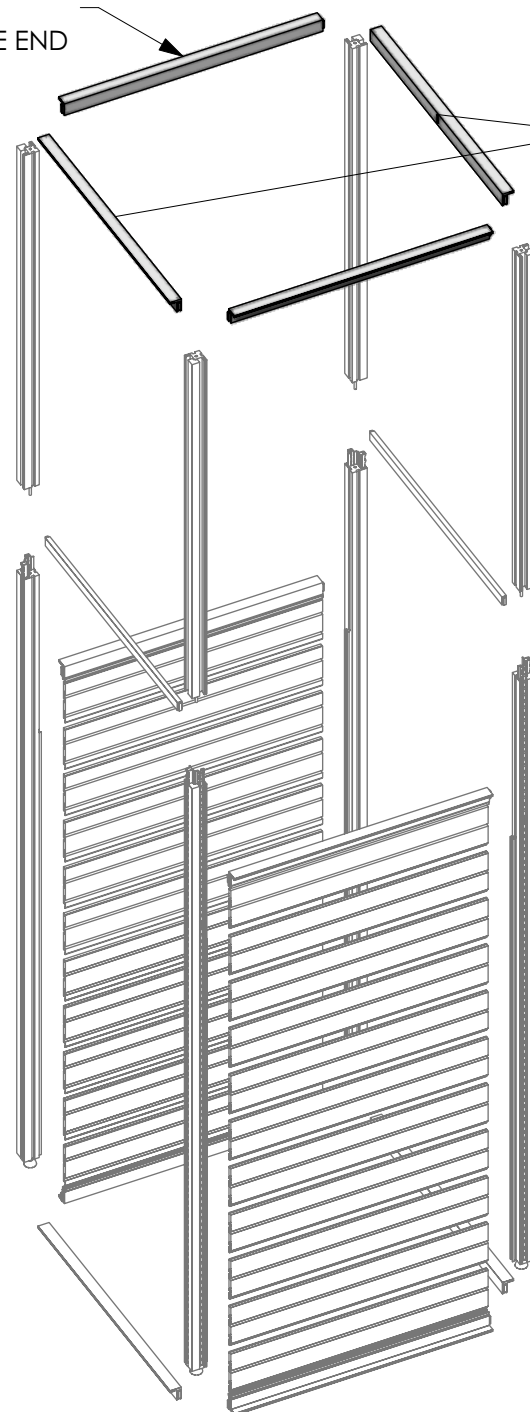


STEP 7

LOCK CROSS BRACE TO UPRIGHTS AND PLACE END CAPS

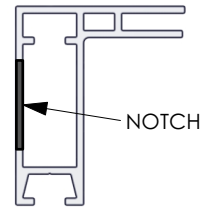


FRONT & BACK EXTRUSIONS



SETUP INSTRUCTIONS

LEFT & RIGHT EXTRUSIONS HAVE NOTCH IN CENTER FOR LED LIGHT BAR ATTACHMENT

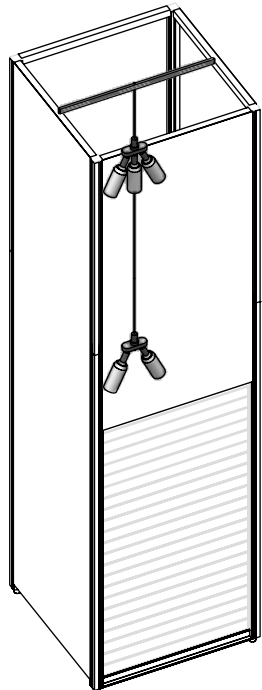
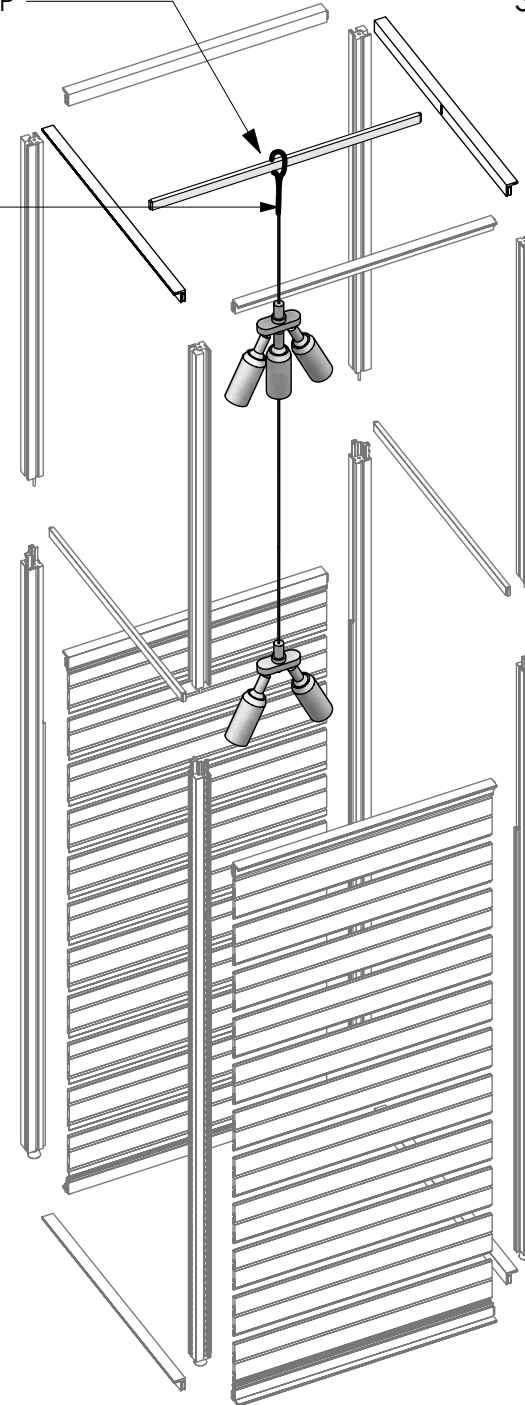
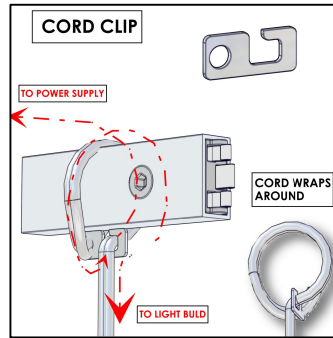




NOTCH

QTY	IMAGE	DESCRIPTION
2		10 foot socket cord, white, with hanging clip, no switch, Max 10 kilogram, 350 watt, cable UL/ socket CE
4		LED-CORN-24W - LED CORN LIGHT, 8.25" L X 2.875" D., 24W, 6500K, COOL WHITE
2		LED-LT-FXT-3WAY - 3 SOCKET LIGHT FIXTURE, WHITE
1		914MM LENGTH OF PH1 EXTRUSION-WITH CAM LOCKS BOTH ENDS

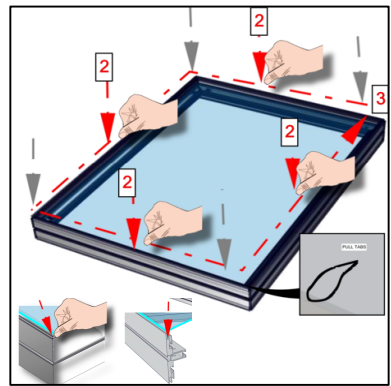
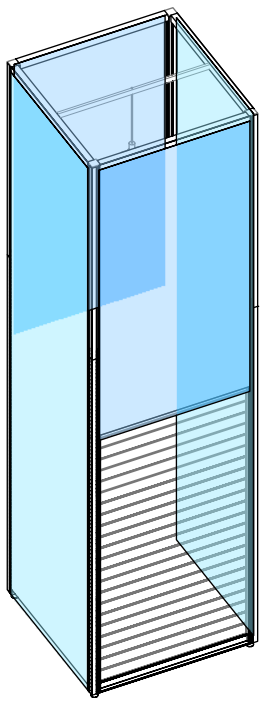
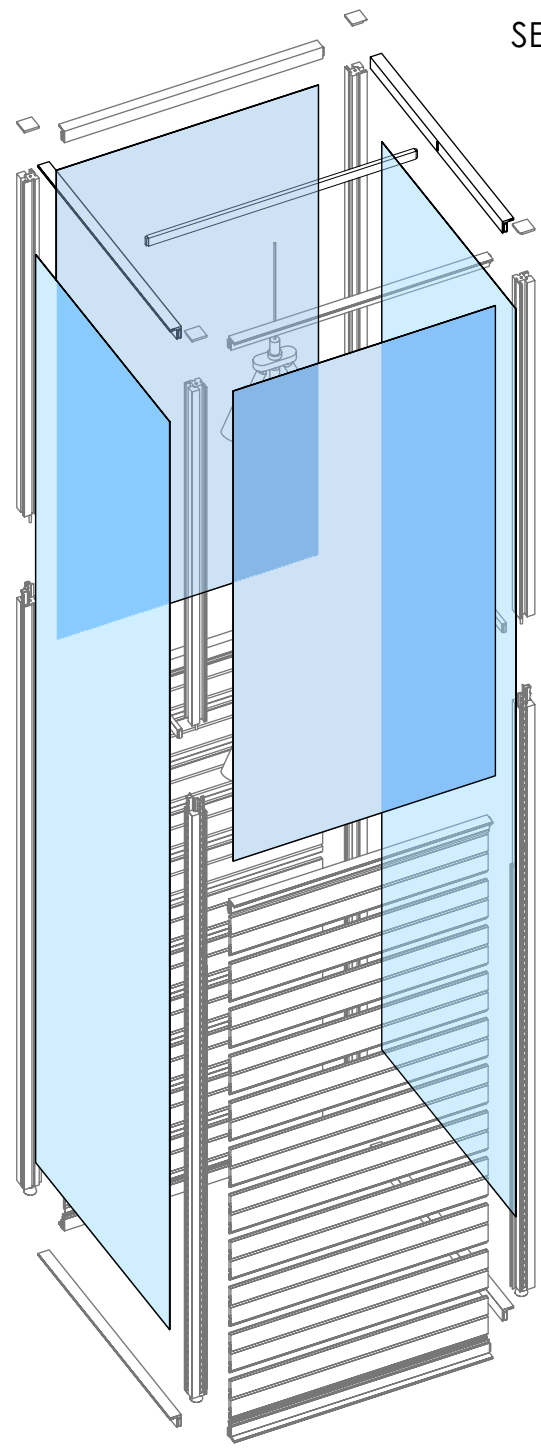
SETUP INSTRUCTIONS

LOCK BAR CROSS TOP



QTY	IMAGE	DESCRIPTION
2		(39.26 w X 145.11 h total size) 35.26 w X 141.11 h finish size, UV/LED print on Backlit Intensity, single sided, sewn with silicone beading around perimeter & pull tab in bottom right corner (WITH 1/4" NOTCH LEFT & RIGHT BOTTOM HORIZONTAL SIDE CORNERS)
2		(39.26 w X 77.06 h total size) 35.26 w X 73.06 h finish size, UV/LED print on Backlit Intensity, single sided, sewn with silicone beading around perimeter & pull tab in bottom right corner (WITH 1/4" NOTCH LEFT & RIGHT BOTTOM HORIZONTAL SIDE CORNERS)

SETUP INSTRUCTIONS







THEN PRESS ALONG THE PERIMETER EDGE

Kit Hardware BOM

ITEM	COMPONENTS	QTY	DESCRIPTION
	005-879	22	879MM (34.61in) LENGTH OF SLOTWALL EXTRUSION
	101-883-01-01	2	883MM LENGTH OF PH1 EXTRUSION-WITH CAM LOCKS BOTH ENDS
	101-914-01-01	1	914MM LENGTH OF PH1 EXTRUSION-WITH CAM LOCKS BOTH ENDS
	810-883-01-01	8	883MM (34.76in) OF SINGLE SIDED SEG EXTRUSION -WITH CAM LOCKS BOTH ENDS
	810-883-01-01	2	CENTER NOTCH ON INSIDE
	825-1318	4	1318MM (51.89in) TOP UPRIGHT
	825-2300	4	2300MM (90.55in) BOTTOM UPRIGHT
	825-EC	4	7MM SEG PLASTIC END CAP FOR 825 EXTRUSION
	890-883	4	883MM (34.76in) OF SWC EXTRUSION
	890-1668	4	1668MM (65.67in) OF SWC EXTRUSION
	LED-CORN-24W	5	LED-CORN-24W - LED CORN LIGHT, 8.25" L X 2.875" D., 24W, 6500K, COOL WHITE
	LED-LT-FXT-3WAY	2	LED-LT-FXT-3WAY - 3 SOCKET LIGHT FIXTURE, WHITE
	LED-LT-PWR-CORD	2	cable UL/ socket CE
	MFY-SLF-STD-68.5	2	1740MM (68.50in) LENGTH OF SHELF STANDARD EXTRUSION

Kit Graphics BOM

	MFY-4S-01-A-G	1	(39.26 w X 77.06 h total size) 35.26 w X 73.06 h finish size, UV/LED print on Backlit Intensity, single sided, sewn with silicone beading around perimeter & pull tab in bottom right corner (WITH 1/4" NOTCH LEFT & RIGHT BOTTOM HORIZONTAL SIDE CORNERS)
	MFY-4S-01-B-G	1	(39.26 w X 145.11 h total size) 35.26 w X 141.11 h finish size, UV/LED print on Backlit Intensity, single sided, sewn with silicone beading around perimeter & pull tab in bottom right corner (WITH 1/4" NOTCH LEFT & RIGHT BOTTOM HORIZONTAL SIDE CORNERS)
	MFY-4S-01-C-G	1	(39.26 w X 77.06 h total size) 35.26 w X 73.06 h finish size, UV/LED print on Backlit Intensity, single sided, sewn with silicone beading around perimeter & pull tab in bottom right corner (WITH 1/4" NOTCH LEFT & RIGHT BOTTOM HORIZONTAL SIDE CORNERS)
	MFY-4S-01-D-G	1	(39.26 w X 145.11 h total size) 35.26 w X 141.11 h finish size, UV/LED print on Backlit Intensity, single sided, sewn with silicone beading around perimeter & pull tab in bottom right corner (WITH 1/4" NOTCH LEFT & RIGHT BOTTOM HORIZONTAL SIDE CORNERS)