

# Formulate Master 3D Hanging Structures: Tiered Square

## TIER-SQU

Formulate® tension fabric hanging structures are made in the USA and are of the utmost quality and durability. Formulate combines state-of-the-art zipper pillowcase dye-sublimated stretch fabric coverings with advanced, lightweight aluminum structures to provide unique design, functionality, and style.



## features and benefits:

- Tiered square structures come 5' tall
- Shapes 12' wide and under that are not the first hanging tier are constructed with 30mm (1.25") tubes and push button connectors for simple assembly
- All top hanging tiers and shapes 14' and over are constructed with 50mm (2") tubes and internal expanding spigot connectors for unmatched structural integrity
- Easy to store and ship
- Quick to set up
- Three zipper pillowcase fabric graphics
- Lifetime limited hardware warranty against manufacturer defects

## dimensions:

### Hardware

### Assembled unit:

(10', 12', 14', or 16')w x (5')h

(3.05, 3.66, 4.27, or 4.88)m(w) x (1.52)m(h)

### Approximate weight:

Depending on size, weight varies between:

98.68 lbs / 44.76kgs - 313.46 / 142.18kgs

### Shipping

#### Packing case(s):

2-3 expandable cardboard boxes depending on size

#### Shipping dimensions:

Expandable cardboard box length (l) may vary

45-98"l x 16"w x 16"h

1143-2489.2mm(l) x 406.4mm(w) x 406.4mm(h)

#### Approximate total shipping weight

(includes cases & graphics):

Depending on size, weight varies between:

112.08 lbs / 50.84kgs - 335.97 lbs / 152.29kgs

### Graphic

Refer to related graphic template for more information.

#### Visit:

[www.exhibitors-handbook.com/graphic-templates](http://www.exhibitors-handbook.com/graphic-templates)

## additional information:

### Graphic material:

dye-sublimation zipper pillowcase fabric

We are continually improving and modifying our product range and reserve the right to vary the specifications without prior notice. All dimensions and weights quoted are approximate and we accept no responsibility for variance. E&OE. See Graphic Templates for graphic bleed specifications.

# Included In Your Kit

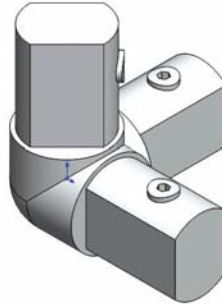
## Components & Connectors



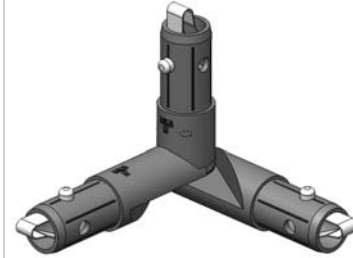
EYEBOLT x12



ES50 x16



ES50-3W x8



TC-30-A x16



TC-30-T x32



CH-SP4-HD-14 x1



CH-ID-HD-02 x8

## Graphics



TIER-14-TOP-G x1



TIER-14-MDL-G x1



TIER-14-BTM-G x1

# Included In Your Kit



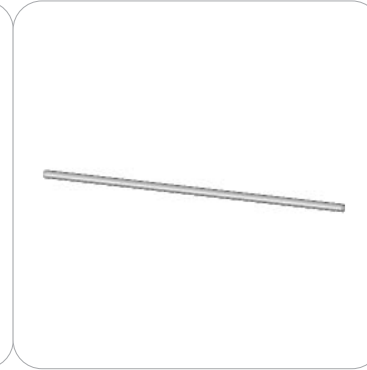
TIER-14-14-T1 x16



TIER-14-14-T2 x8



TIER-14-12-T1 x24



TIER-12-10-T1 x16

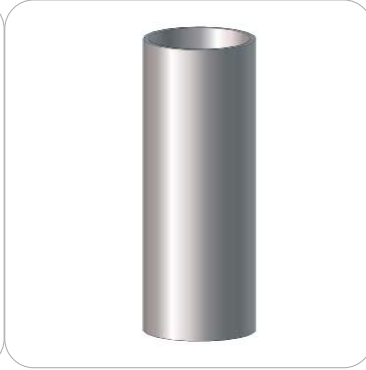


TIER-SPDR-30-1 x8

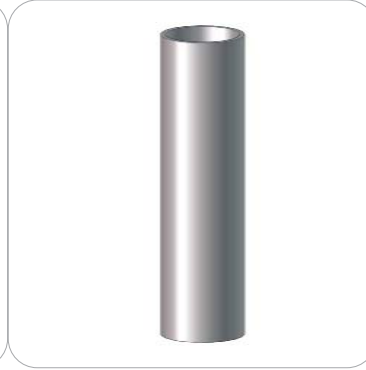
Tubes



TIER-SPDR-30-2 x12



TIER-SPDR-50 x4

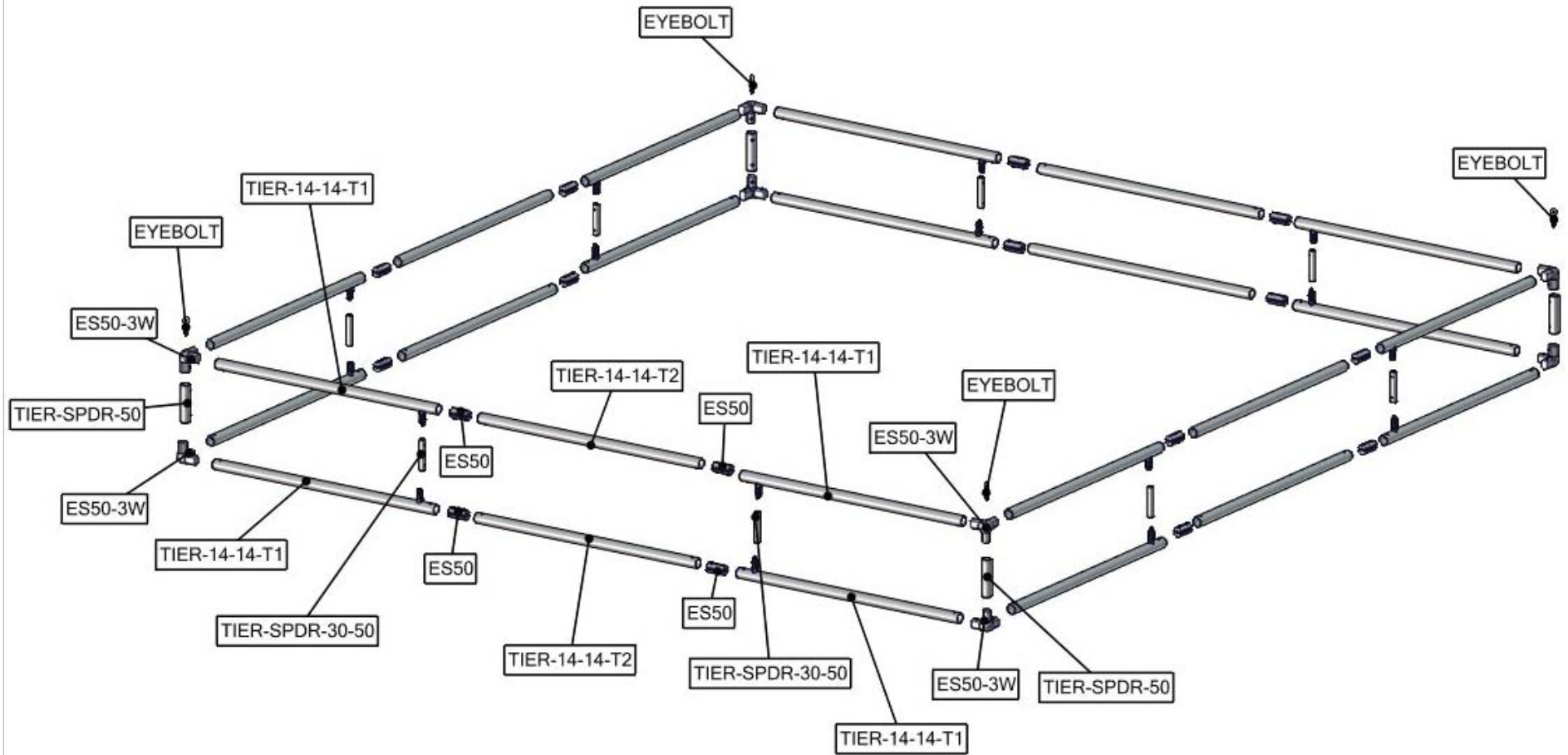


TIER-SPDR-30-50 x8

# Exploded View

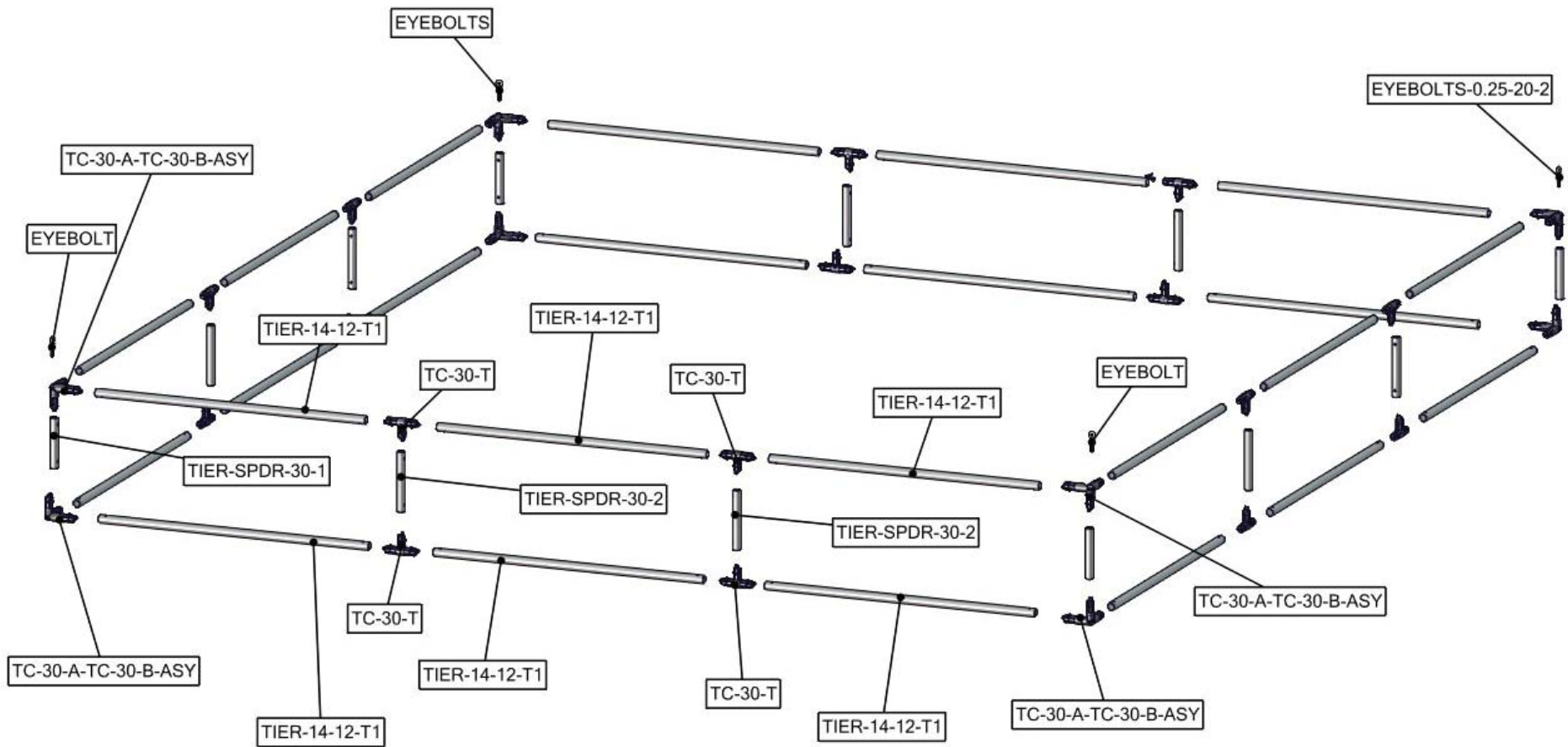
TIER-SQU-14

Frame A



# Exploded View

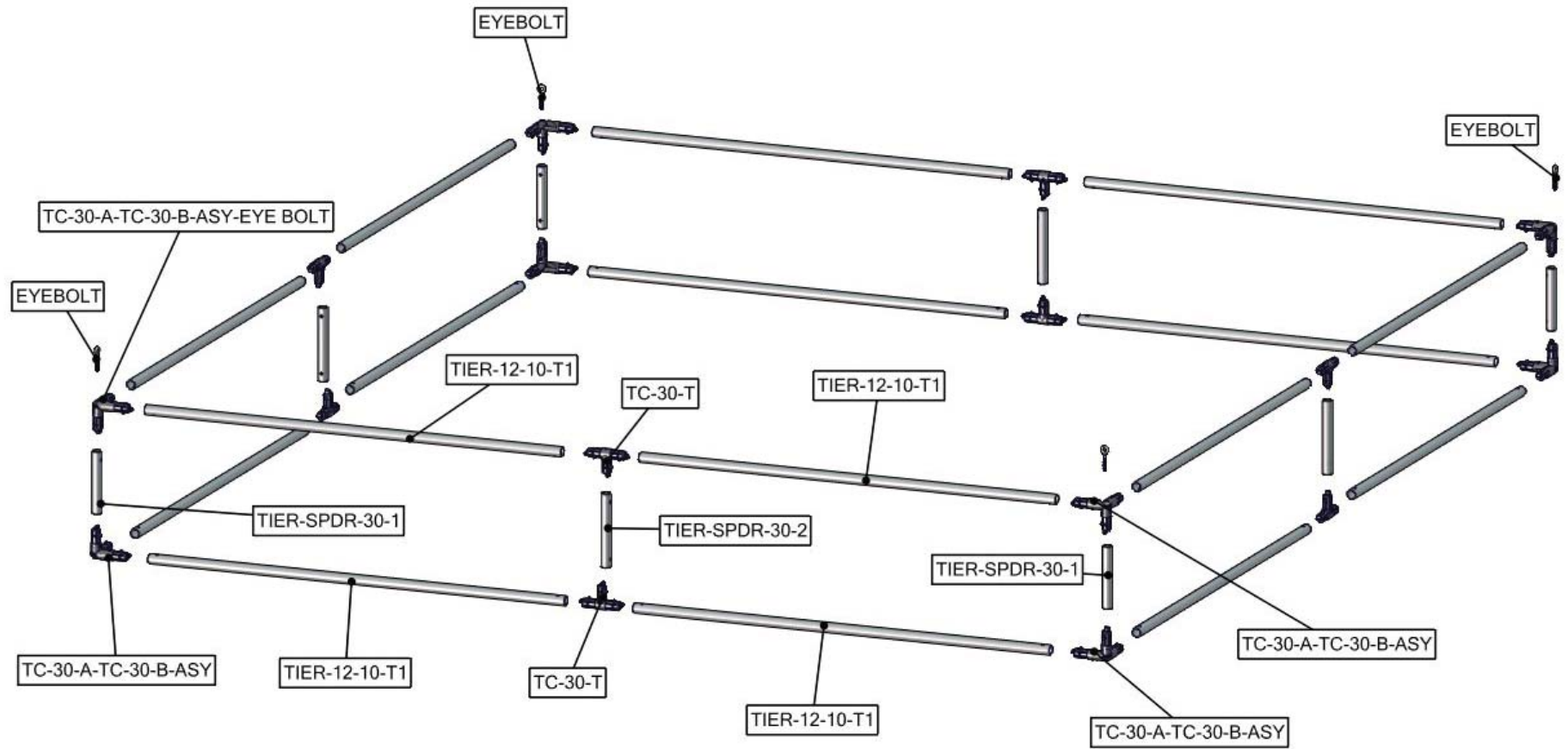
## TIER-SQU-14 Frame B



# Exploded View

TIER-SQU-14

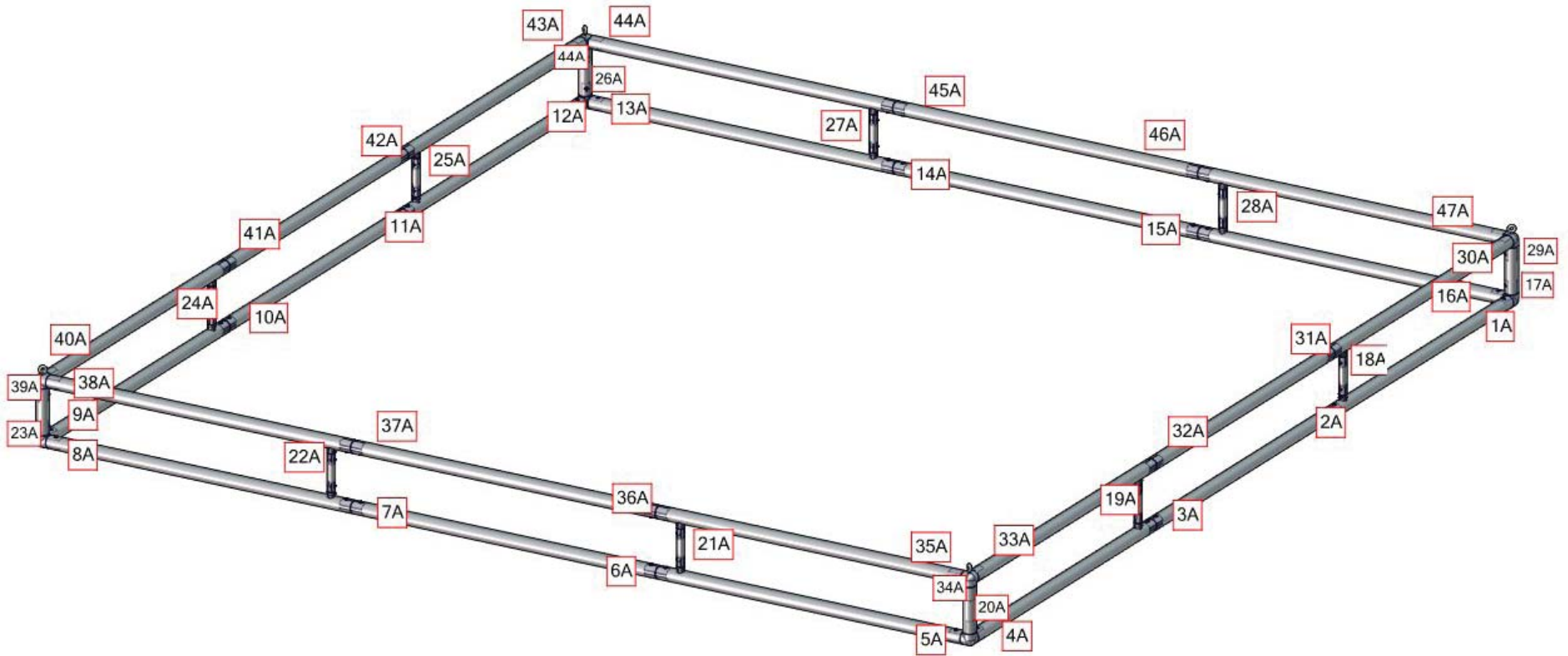
Frame C



# Labeling Diagram

TIER-SQU-14

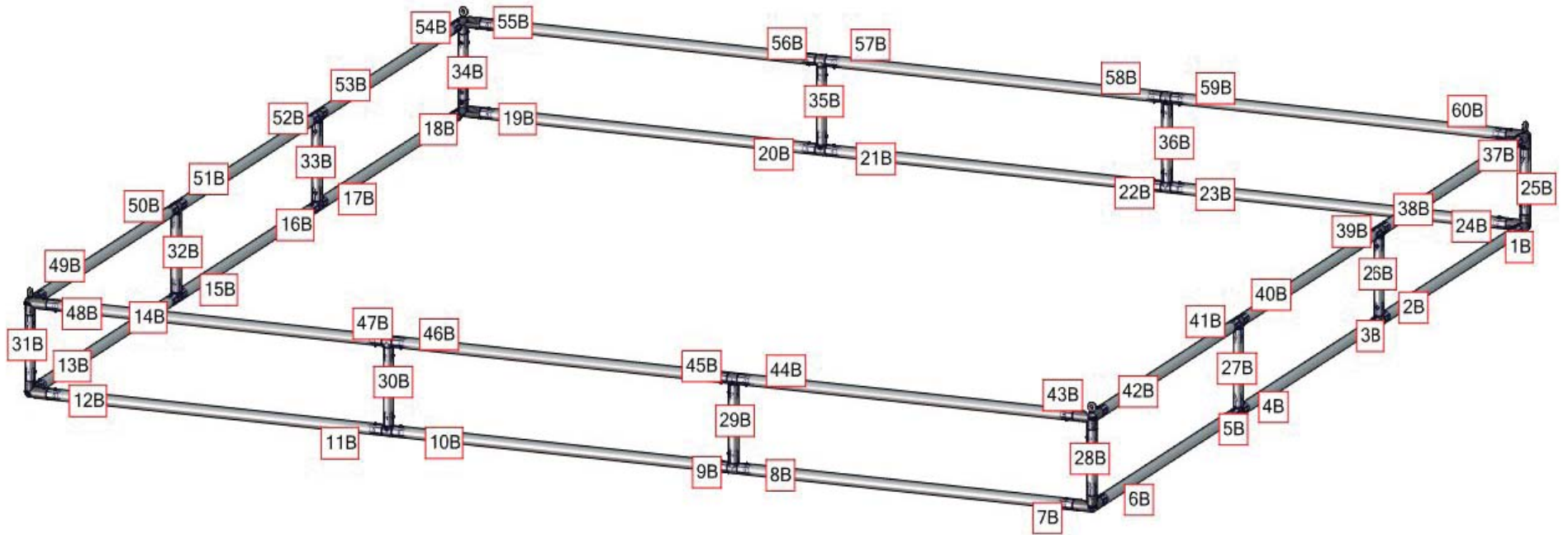
Frame A



# Labeling Diagram

TIER-SQU-14

Frame B

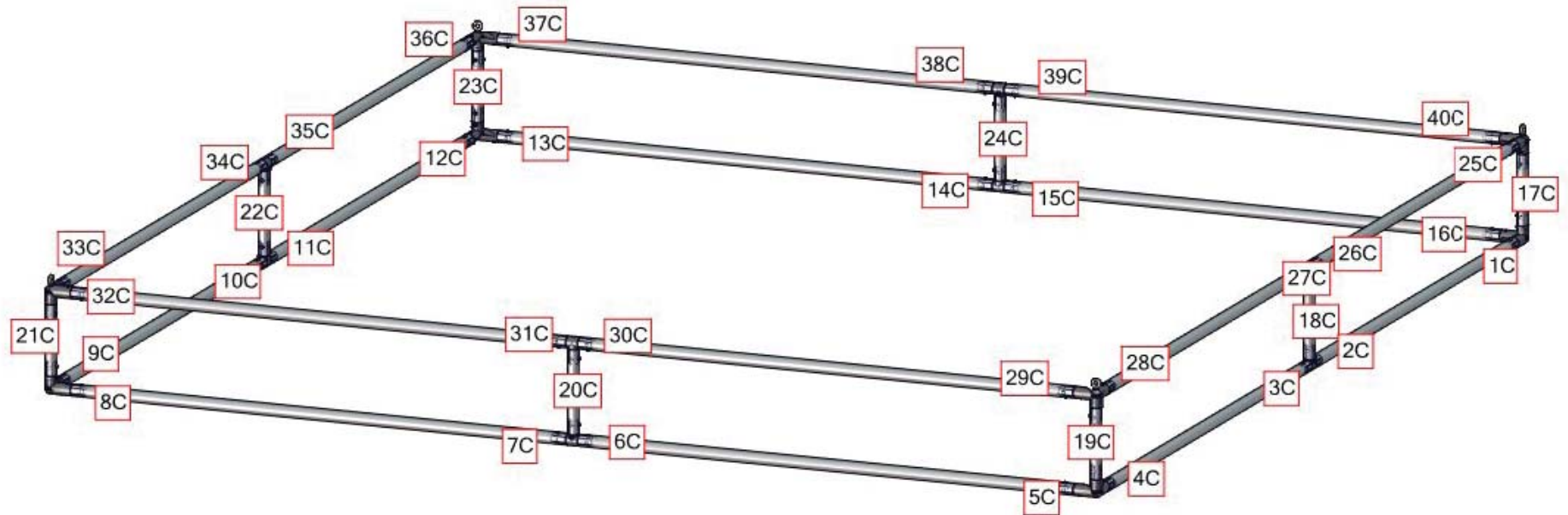




# Labeling Diagram

TIER-SQU-14

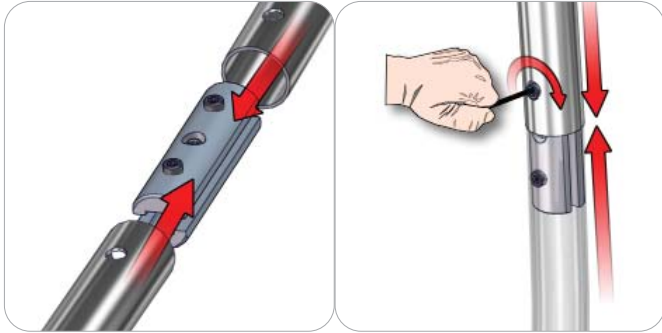
Frame C



# Connection Methods

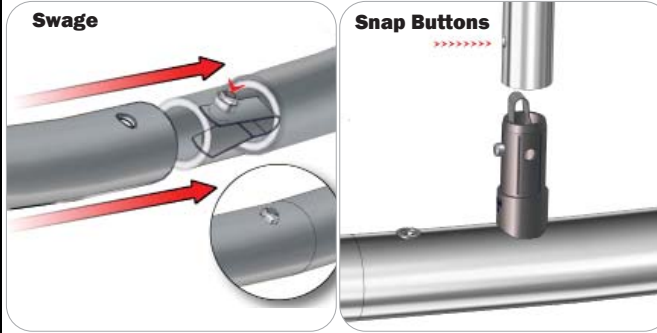
Formulate® structures use a number of different yet simple connection methods. Your kit will include one or more of the connection methods shown below. Steps within the Kit Assembly will reference a specific method for each connection point.

## Connection Method 1: ES30 / ES50 / ES75



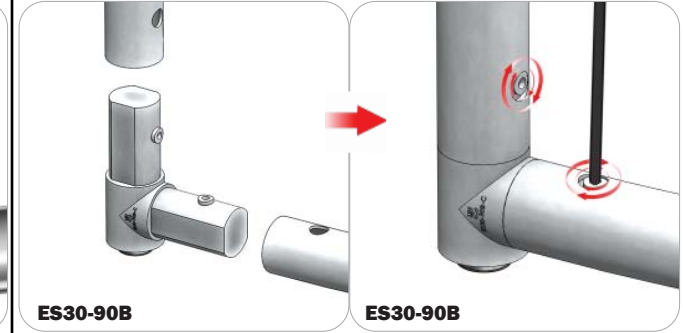
Compress the unlocked connector and slide one tube onto each end. Lock both screws carefully using your allen key tool. Be sure to lock securely, but do not overtighten.

## Connection Method 2: Snap Buttons & Swage



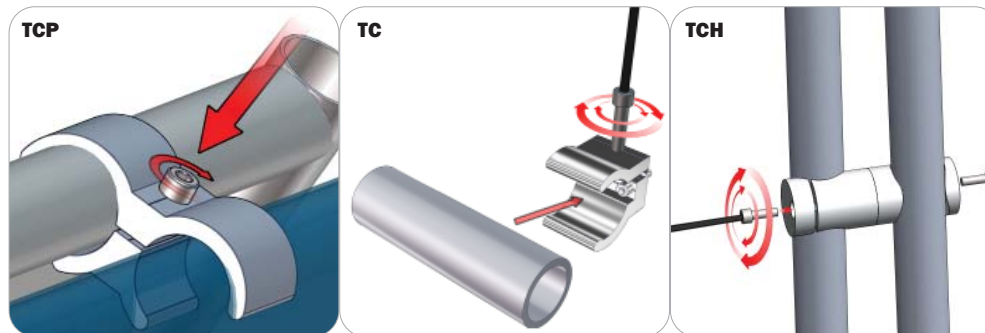
Locate the snap button on the connector or swage tube. Locate the hole on the corresponding tube. Press the snap button with your thumb and slide the tube and connector together so that the snap button snaps fully into the lock hole. To disassemble, press the snap button and pull apart.

## Connection Method 3: ES30-90B / ES30-I / ES30-C



Compress one unlocked end of the connector and slide it through one tube end. Compress the other end of the connector and slide the second tube on. Lock both screws carefully using your allen key tool. Be sure to lock securely, but do not overtighten.

## Connection Method 4: Tube Clamps



Be sure to fully assemble all frames before using clamps. With the clamp unlocked, place one tube of the first frame into the mouth of the clamp. Place the second tube (if applicable) into the second mouth of the clamp. With both frame's tubes in the clamp, be sure to lock securely, but do not overtighten.

# Kit Assembly

## Step by Step:

### SET UP INSTRUCTIONS:

1. CONNECT BOTTOM AND TOP TUBES FOLLOWING THE LABELS
2. CONNECT SIDE TUBES
3. CLEAN THE FRAME AND PLACE THEM ON CLEAN PLACE
4. CAREFULLY REMOVE FABRIC COVER FROM BAG
5. PLACE COVER AROUND THE BOTTOM OF THE FRAME
6. PULL COVER CAREFULLY UP TO THE TOP
7. CLOSE ALL ZIPPERS
8. ADJUST FABRIC AROUND THE FRAME
9. CONNECT CABLE HARNESS TO THE EYEBOLTS
10. COMPLETELY TIGHTEN THREADED CONNECTORS

### BREAK DOWN INSTRUCTIONS:

REVERSE SET-UP STEPS TO BREAKDOWN FRAME

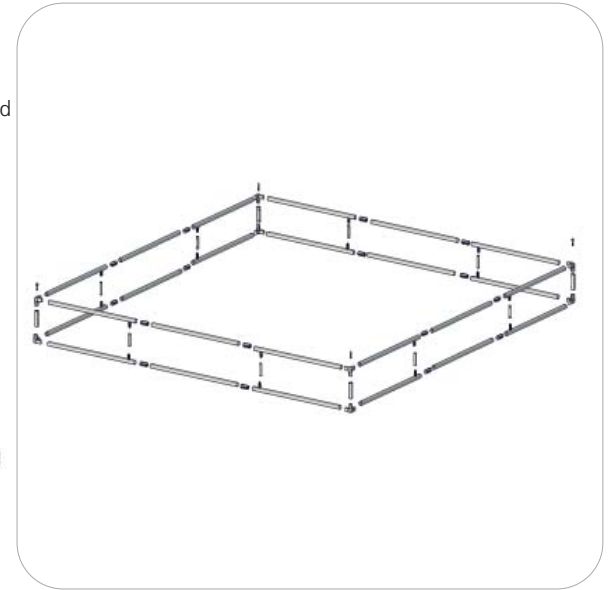
### FABRIC CARE INSTRUCTIONS:

1. UNZIP COVER ZIPPERS
2. CAREFULLY REMOVE FABRIC COVER
3. CLOSE ALL ZIPPERS
4. FOLD OR ROLL NEATLY
5. PLACE FABRIC IN COVER BAG

## Step 1.

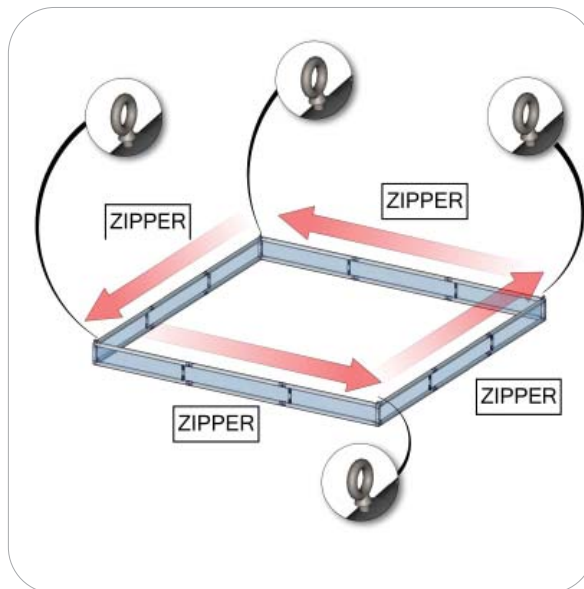
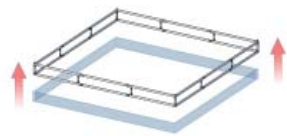
Locate the components necessary for assembling Frame A referenced on the exploded view page.

Please reference Connection Method 1 for more details.



## Step 2.

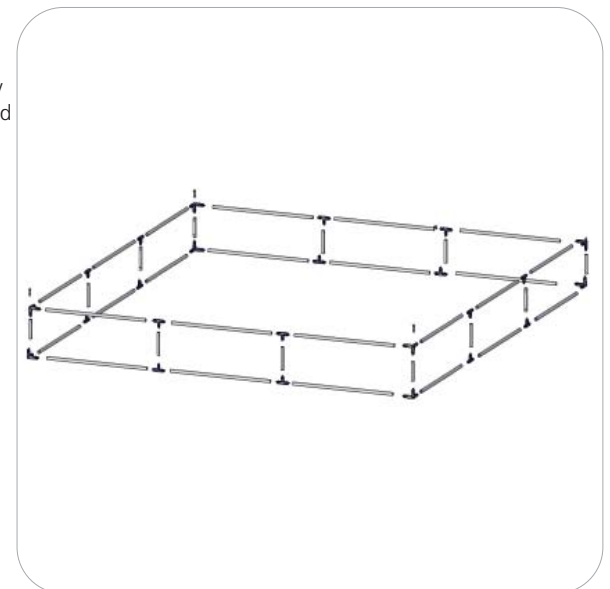
Apply the TIER-12-TOP-G graphic pillowcase around the frame from the bottom and then zipper around the top edge.



## Step 3.

Locate the components necessary for assembling Frame B referenced on the exploded view page.

Please reference Connection Methods 2 for more details.

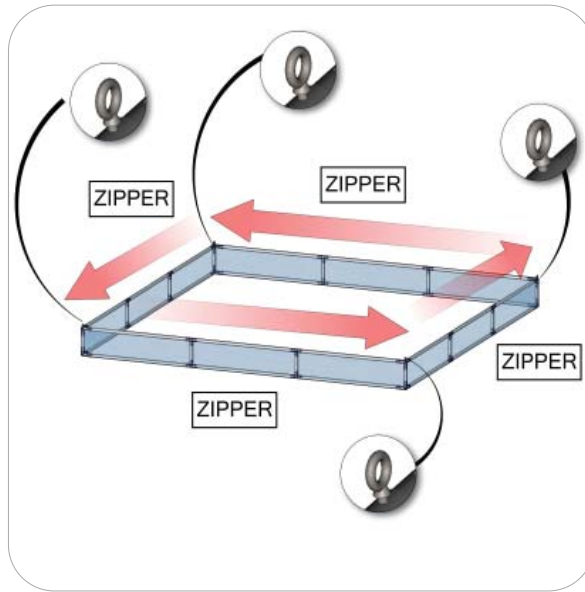
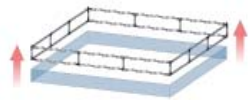


# Kit Assembly

## Step by Step:

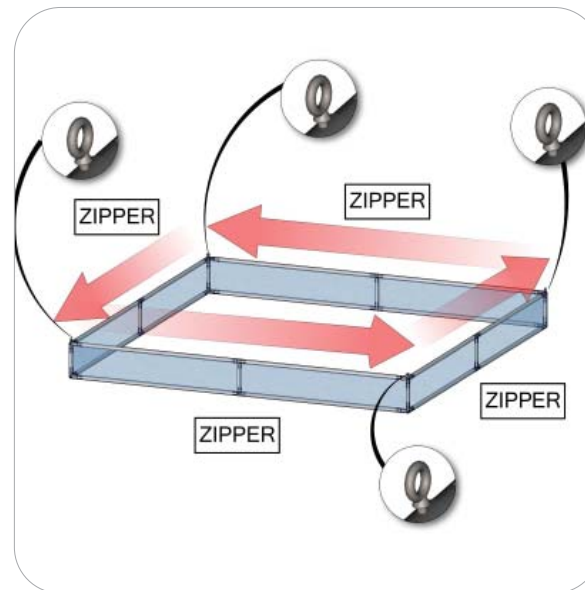
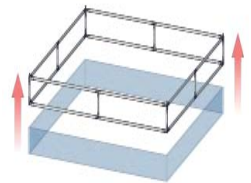
### Step 4.

Apply the TIER-12-MDL-G graphic pillowcase around the frame from the bottom and then zipper around the top edge.



### Step 6.

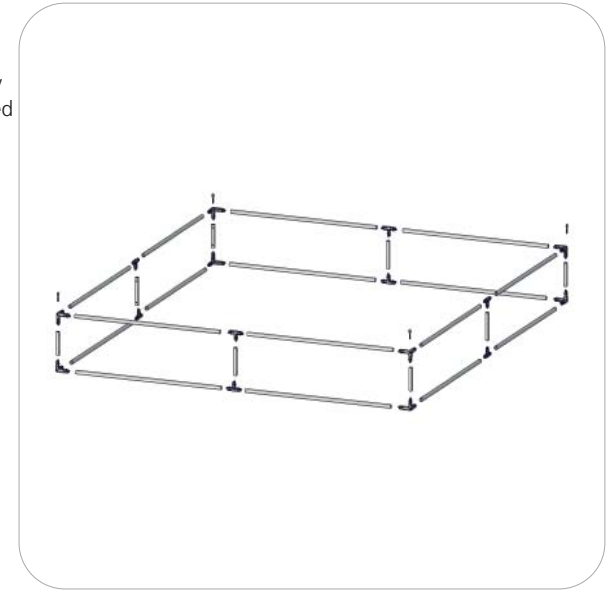
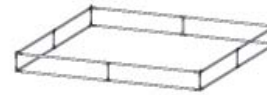
Apply the TIER-12-BTM-G graphic pillowcase around the frame from the bottom and then zipper around the top edge.



### Step 5.

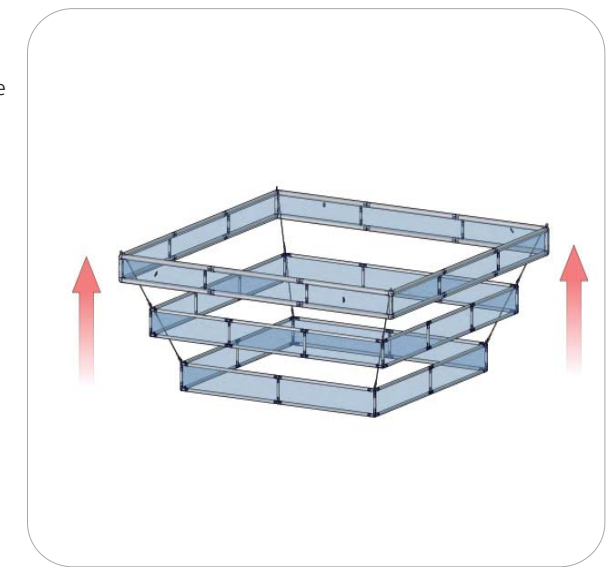
Locate the components necessary for assembling Frame C referenced on the exploded view page.

Please reference Connection Methods 2 for more details.



### Step 7.

Attach the Frames together at the eyebolts using the CD-ID-HD-02 cables.



# Kit Assembly

Step by Step:

## Step 3.

The structure is now ready to hang with the CH-SP4-HD.

