

# TSQU-0802

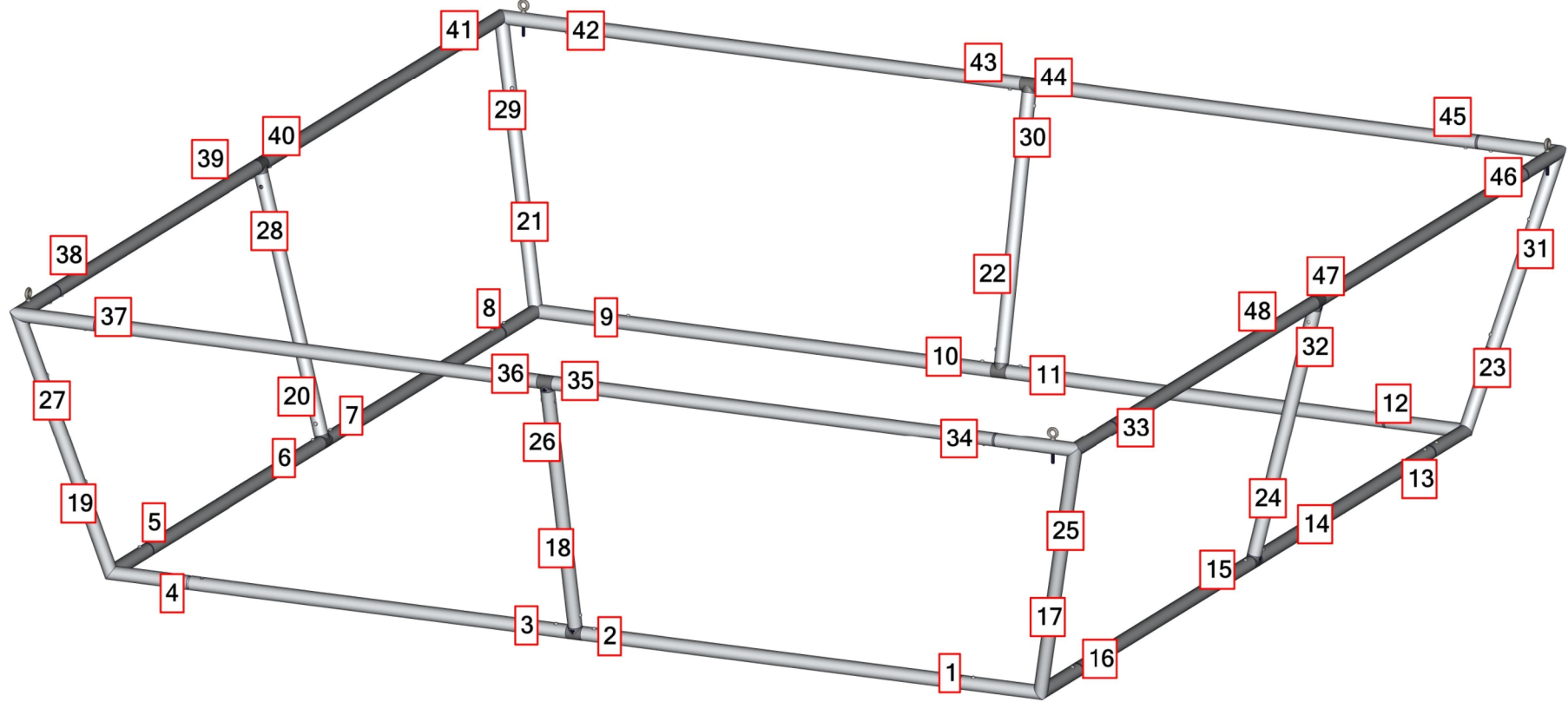
**SET UP INSTRUCTIONS:**

1. CONNECT BOTTOM AND TOP TUBES FOLLOWING THE LABELS
2. CONNECT SIDE TUBES
3. CLEAN THE FRAME AND PLACE THEM ON CLEAN PLACE
4. CAREFULLY REMOVE FABRIC COVER FROM BAG
5. PLACE COVER AROUND THE BOTTOM OF THE FRAME
6. PULL COVER CAREFULLY UP TO THE TOP
7. CLOSE ALL ZIPPERS
8. ADJUST FABRIC AROUND THE FRAME
9. CONNECT CABLE HARNESS TO THE EYEBOLTS
10. COMPLETELY TIGHTEN THREADED CONNECTORS

- BREAK DOWN INSTRUCTIONS:**  
REVERSE SET-UP STEPS TO BREAKDOWN FRAME

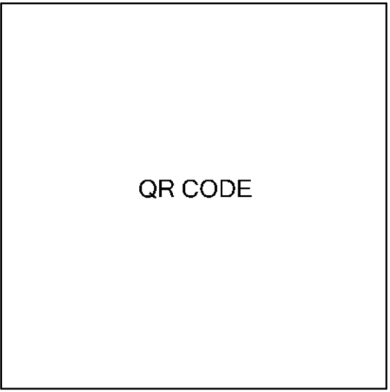
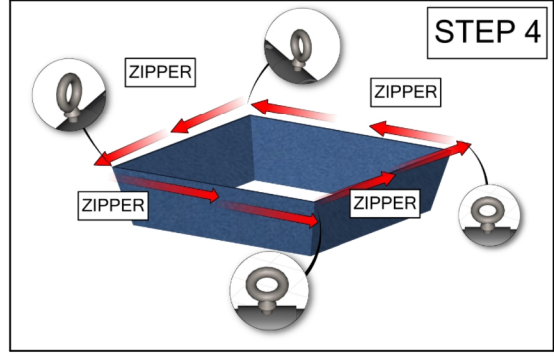
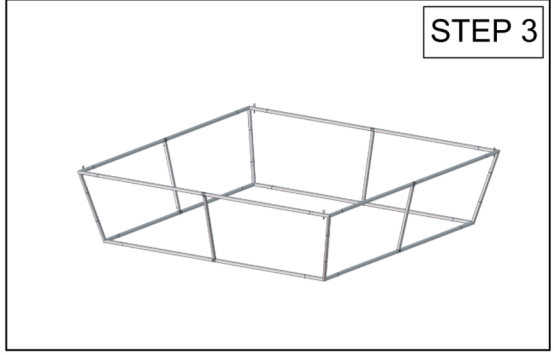
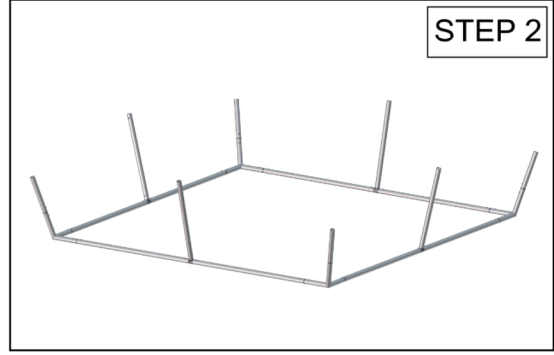
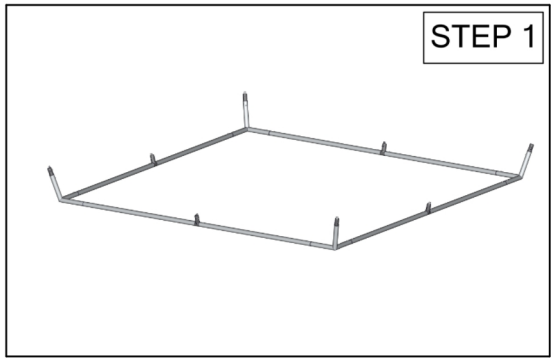
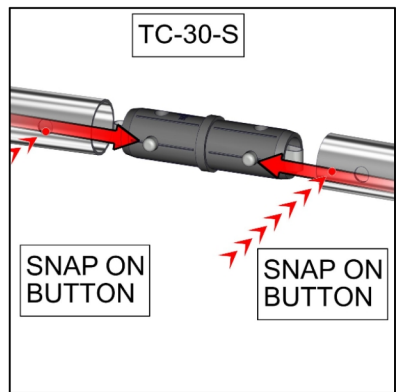
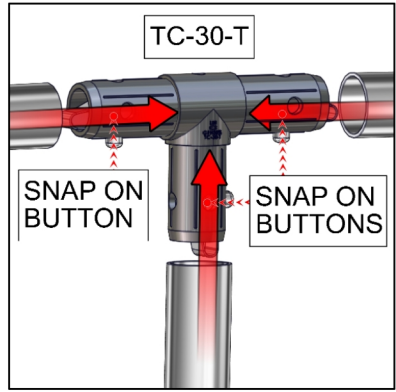
- FABRIC CARE INSTRUCTIONS:**
1. UNZIP COVER ZIPPERS
  2. CAREFULLY REMOVE FABRIC COVER
  3. CLOSE ALL ZIPPERS
  4. FOLD OR ROLL NEATLY
  5. PLACE FABRIC IN COVER BAG

FRAME ASSEMBLY



TOTAL WEIGHT: 38.7 (lbs)  
MAX SIZE: 54.1 (in)  
HARDWARE: 20.9 (lbs)  
GRAPHIC: 9.1 (lbs)

| QTY | CODE               | DESCRIPTION  |
|-----|--------------------|--|
| 1   | CH-SP4-LD-08       | 4-CABLE SINGLE POINT LIGHT DUTY HARNESS WITH 96" LENGTHS 1/16" CABLE |
| 4   | CORNER-30-90-T-U   | LOWER TUBE FOR 2' HIGH TAPERED FOUR SIDED HANGING FABRIC STRUCTURES  |
| 4   | EYEBOLTS-0.25-20-2 | 2" SHANK 0.25-20 THREADED EYE BOLT                                   |
| 4   | CORNER-30-90-T-L   | LOWER TUBE FOR 6' HIGH TAPERED FOUR SIDED HANGING FABRIC STRUCTURES  |
| 4   | SPRD-30-S6-T2      | LOWER TUBE FOR 2' HIGH TAPERED FOUR SIDED HANGING FABRIC STRUCTURES  |
| 4   | SPRD-30-S9-2       | LOWER TUBE FOR 2' HIGH TAPERED FOUR SIDED HANGING FABRIC STRUCTURES  |
| 23  | TC-30-S            | INLINE CONNECTOR FOR 30MM TUBING                                     |
| 8   | TC-30-T            | T JUNCTION FOR 30MM TUBING   |
| 8   | TSQU-08-T1         | UPPER TUBE FOR 8' WIDE TAPERED FOUR SIDED HANGING FABRIC STRUCTURES  |
| 8   | TSQU-08-T2         | LOWER TUBE FOR 2' HIGH TAPERED FOUR SIDED HANGING FABRIC STRUCTURES  |



Set-up Video

# TSQU-0803

**SET UP INSTRUCTIONS:**

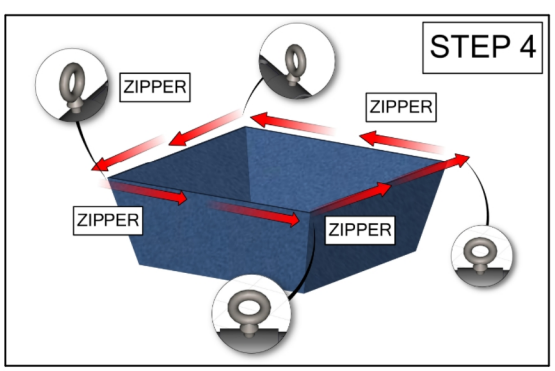
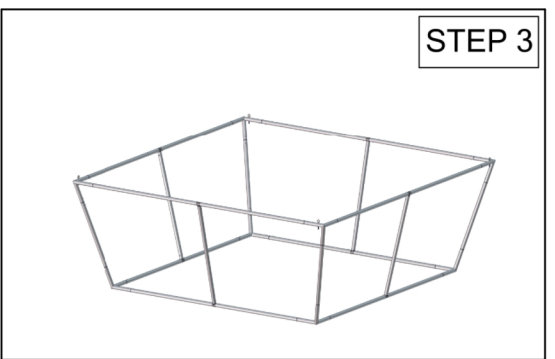
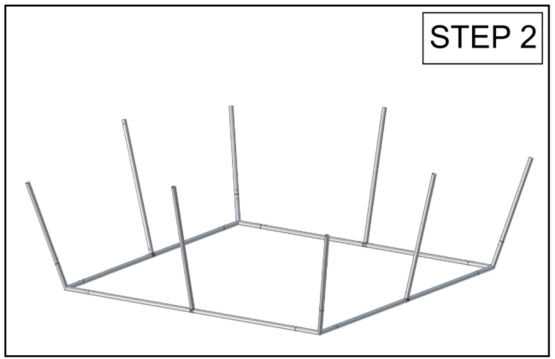
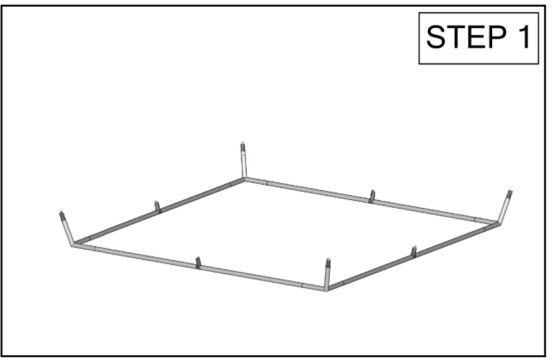
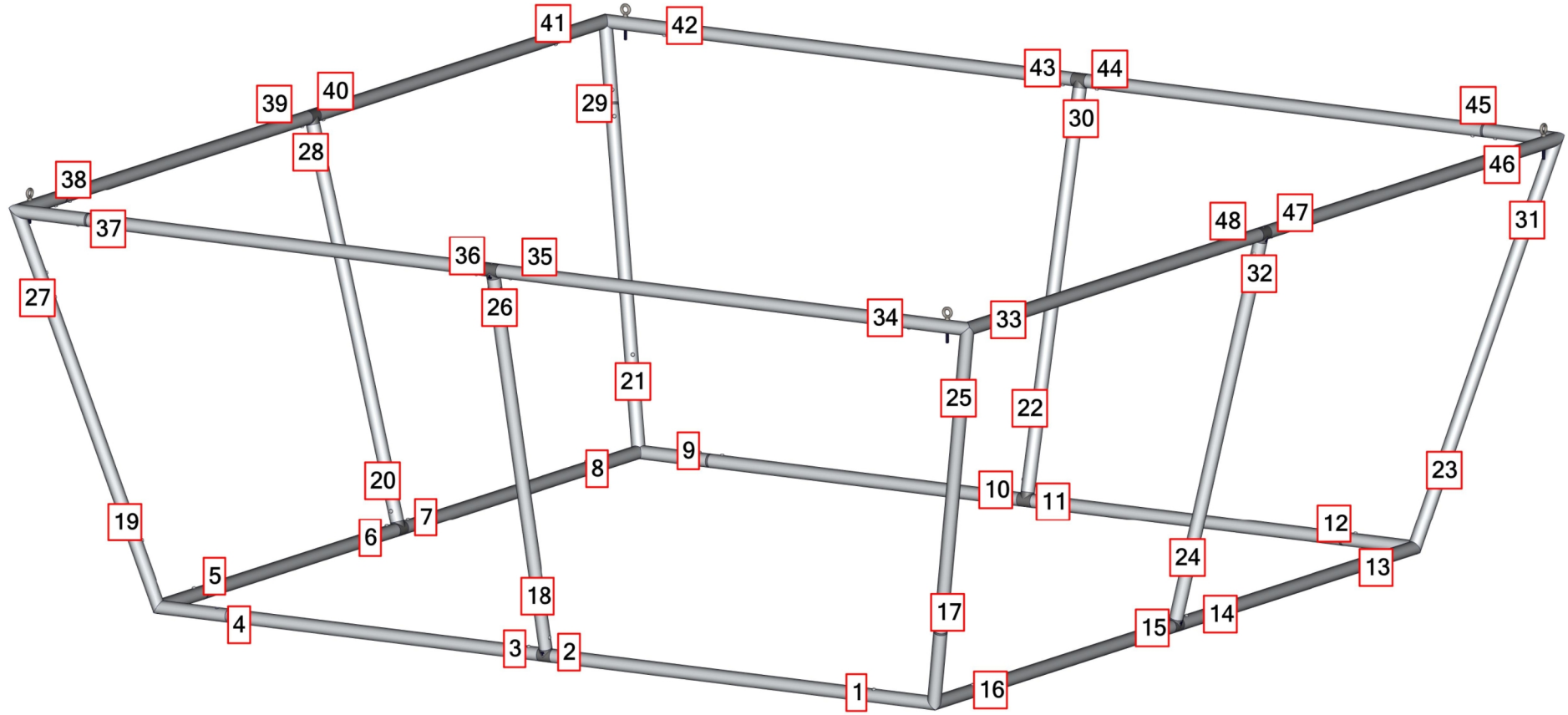
1. CONNECT BOTTOM AND TOP TUBES FOLLOWING THE LABELS
2. CONNECT SIDE TUBES
3. CLEAN THE FRAME AND PLACE THEM ON CLEAN PLACE
4. CAREFULLY REMOVE FABRIC COVER FROM BAG
5. PLACE COVER AROUND THE BOTTOM OF THE FRAME
6. PULL COVER CAREFULLY UP TO THE TOP
7. CLOSE ALL ZIPPERS
8. ADJUST FABRIC AROUND THE FRAME
9. CONNECT CABLE HARNESS TO THE EYEBOLTS
10. COMPLETELY TIGHTEN THREADED CONNECTORS

**BREAK DOWN INSTRUCTIONS:**  
REVERSE SET-UP STEPS TO BREAKDOWN FRAME

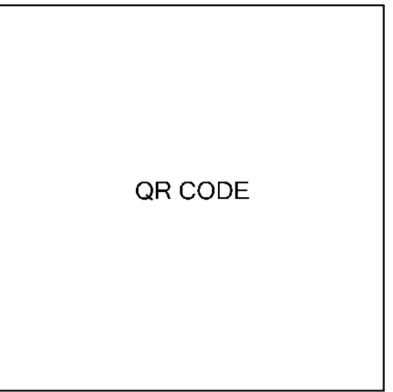
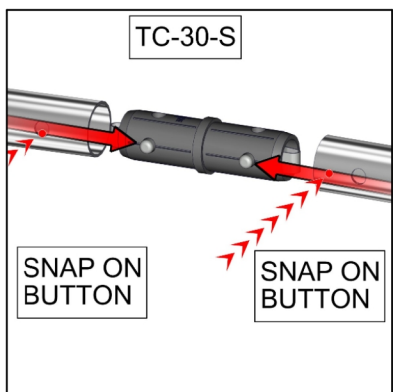
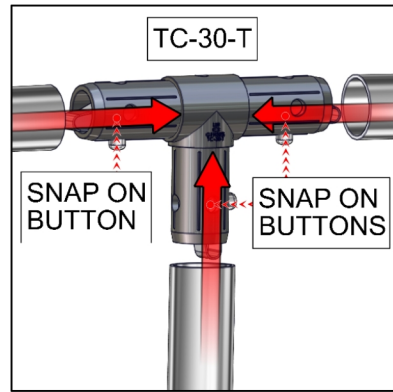
- FABRIC CARE INSTRUCTIONS:**
1. UNZIP COVER ZIPPERS
  2. CAREFULLY REMOVE FABRIC COVER
  3. CLOSE ALL ZIPPERS
  4. FOLD OR ROLL NEATLY
  5. PLACE FABRIC IN COVER BAG

TOTAL WEIGHT: 38.1 (lbs)  
 MAX SIZE: 42.1 (in)  
 HARDWARE: 22.2 (lbs)  
 GRAPHIC: 13.7 (lbs)

FRAME ASSEMBLY



| QTY | CODE               | DESCRIPTION  |
|-----|--------------------|--|
| 4   | EYEBOLTS-0.25-20-2 | 2" SHANK 0.25-20 THREADED EYE BOLT                                   |
| 1   | CH-SP4-LD-08       | 4-CABLE SINGLE POINT LIGHT DUTY HARNESS WITH 96" LENGTHS 1/16" CABLE |
| 4   | CORNER-30-90-T-L   | LOWER TUBE FOR 6' HIGH TAPERED FOUR SIDED HANGING FABRIC STRUCTURES  |
| 4   | CORNER-30-90-T-U   | LOWER TUBE FOR 2' HIGH TAPERED FOUR SIDED HANGING FABRIC STRUCTURES  |
| 4   | SPRD-30-S6-T3      | LOWER TUBE FOR 3' HIGH TAPERED FOUR SIDED HANGING FABRIC STRUCTURES  |
| 23  | TC-30-S            | INLINE CONNECTOR FOR 30MM TUBING                                     |
| 4   | SPRD-30-S9-3       | LOWER TUBE FOR 3' HIGH TAPERED FOUR SIDED HANGING FABRIC STRUCTURES  |
| 8   | TC-30-T            | T JUNCTION FOR 30MM TUBING   |
| 8   | TSQU-08-T1         | UPPER TUBE FOR 8' WIDE TAPERED FOUR SIDED HANGING FABRIC STRUCTURES  |
| 8   | TSQU-08-T3         | LOWER TUBE FOR 3' HIGH TAPERED FOUR SIDED HANGING FABRIC STRUCTURES  |



Set-up Video

# TSQU-0804

FRAME ASSEMBLY

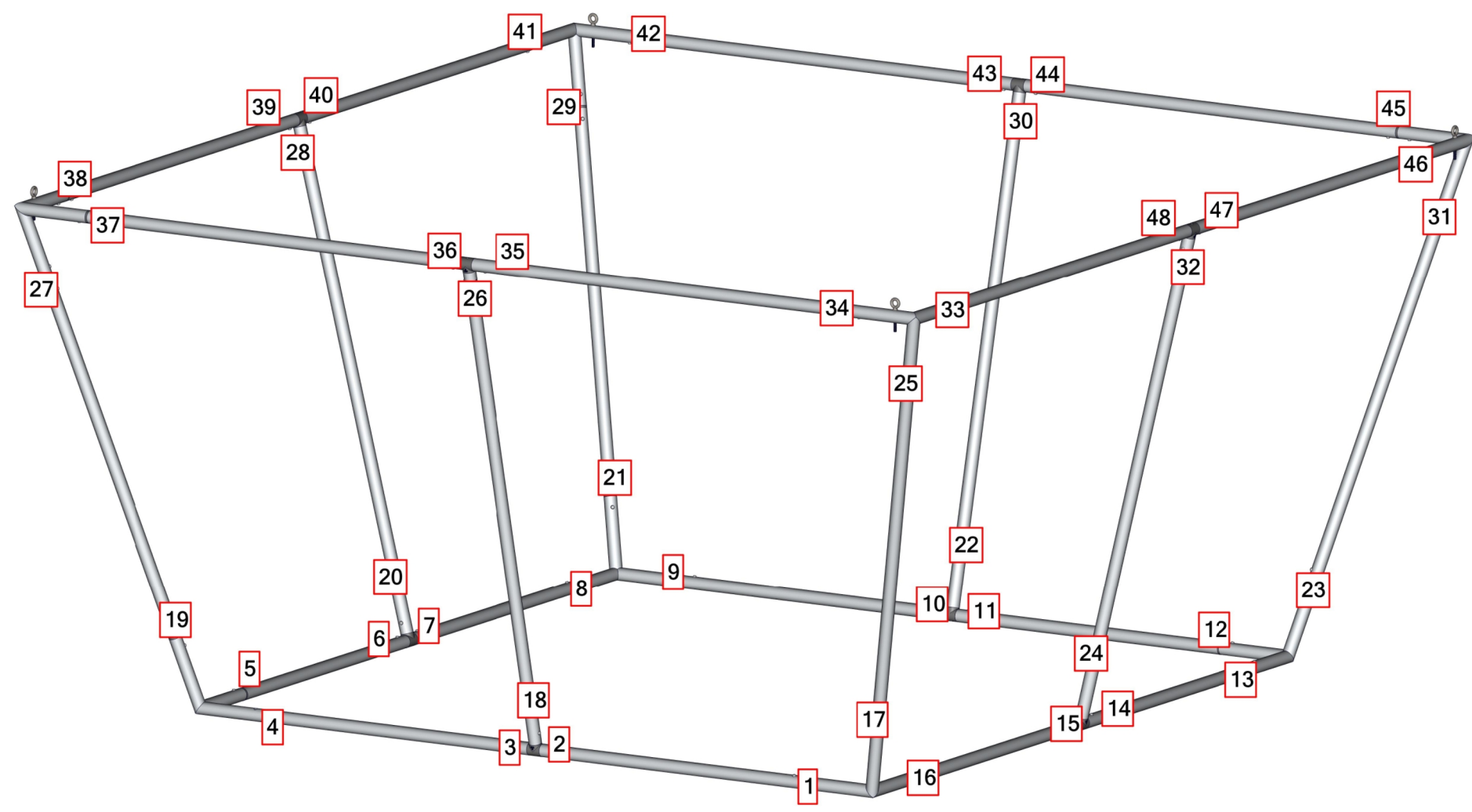
**SET UP INSTRUCTIONS:**

1. CONNECT BOTTOM AND TOP TUBES FOLLOWING THE LABELS
2. CONNECT SIDE TUBES
3. CLEAN THE FRAME AND PLACE THEM ON CLEAN PLACE
4. CAREFULLY REMOVE FABRIC COVER FROM BAG
5. PLACE COVER AROUND THE BOTTOM OF THE FRAME
6. PULL COVER CAREFULLY UP TO THE TOP
7. CLOSE ALL ZIPPERS
8. ADJUST FABRIC AROUND THE FRAME
9. CONNECT CABLE HARNESS TO THE EYEBOLTS
10. COMPLETELY TIGHTEN THREADED CONNECTORS

**BREAK DOWN INSTRUCTIONS:**  
REVERSE SET-UP STEPS TO BREAKDOWN FRAME

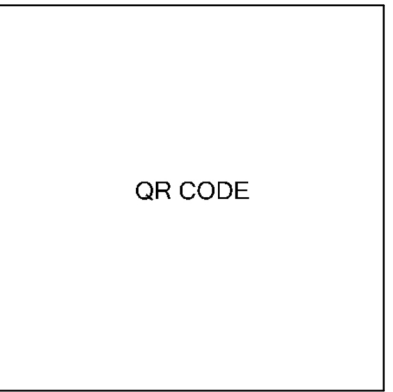
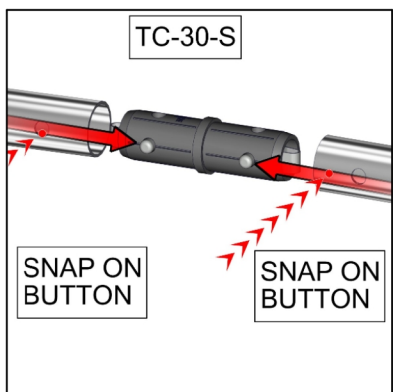
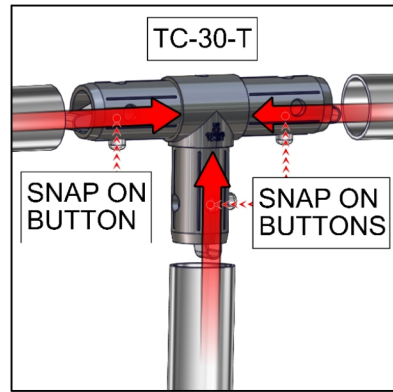
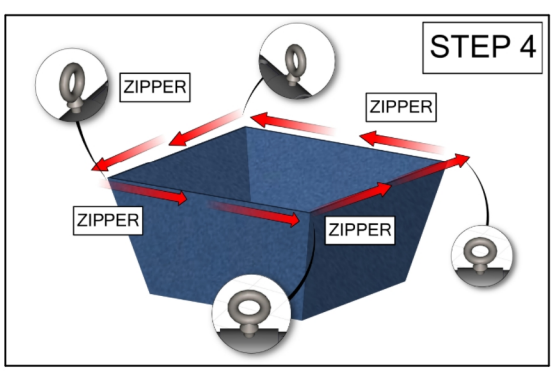
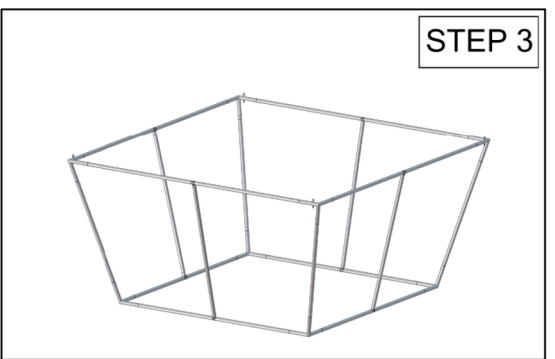
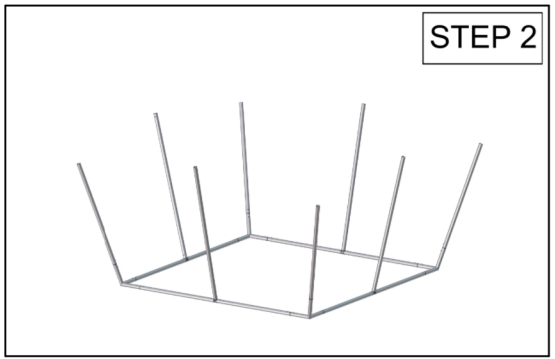
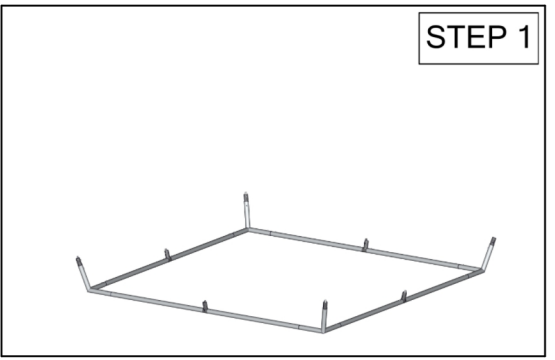
**FABRIC CARE INSTRUCTIONS:**

1. UNZIP COVER ZIPPERS
2. CAREFULLY REMOVE FABRIC COVER
3. CLOSE ALL ZIPPERS
4. FOLD OR ROLL NEATLY
5. PLACE FABRIC IN COVER BAG



TOTAL WEIGHT: 44.71 (lbs)  
 MAX SIZE: 42.1 (in)  
 HARDWARE: 24.0 (lbs)  
 GRAPHIC: 18.3 (lbs)

| QTY | CODE               | DESCRIPTION  |
|-----|--------------------|--|
| 4   | EYEBOLTS-0.25-20-2 | 2" SHANK 0.25-20 THREADED EYE BOLT                                   |
| 1   | CH-SP4-LD-08       | 4-CABLE SINGLE POINT LIGHT DUTY HARNESS WITH 96" LENGTHS 1/16" CABLE |
| 4   | CORNER-30-90-T-L   | LOWER TUBE FOR 6' HIGH TAPERED FOUR SIDED HANGING FABRIC STRUCTURES  |
| 4   | CORNER-30-90-T-U   | LOWER TUBE FOR 2' HIGH TAPERED FOUR SIDED HANGING FABRIC STRUCTURES  |
| 4   | SPRD-30-S6-T4      | LOWER TUBE FOR 4' HIGH TAPERED FOUR SIDED HANGING FABRIC STRUCTURES  |
| 23  | TC-30-S            | INLINE CONNECTOR FOR 30MM TUBING                                     |
| 4   | SPRD-30-S9-4       | LOWER TUBE FOR 4' HIGH TAPERED FOUR SIDED HANGING FABRIC STRUCTURES  |
| 8   | TC-30-T            | T JUNCTION FOR 30MM TUBING   |
| 8   | TSQU-08-T1         | UPPER TUBE FOR 8' WIDE TAPERED FOUR SIDED HANGING FABRIC STRUCTURES  |
| 8   | TSQU-08-T4         | LOWER TUBE FOR 4' HIGH TAPERED FOUR SIDED HANGING FABRIC STRUCTURES  |



Set-up Video

# TSQU-0804-B

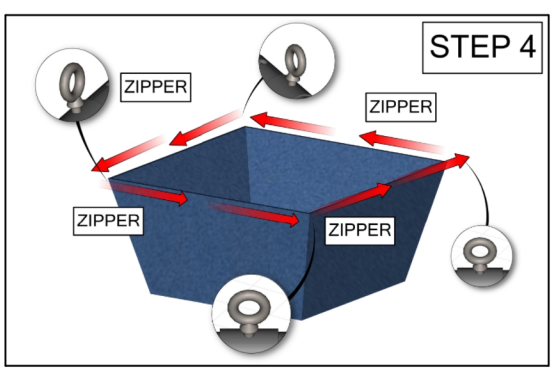
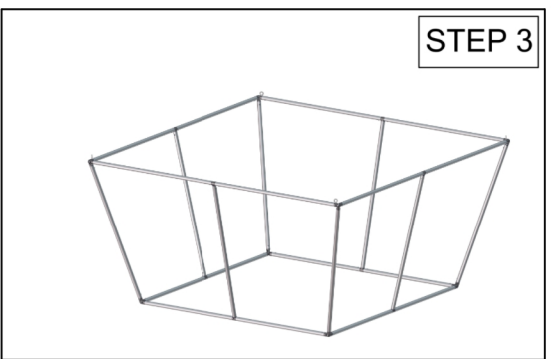
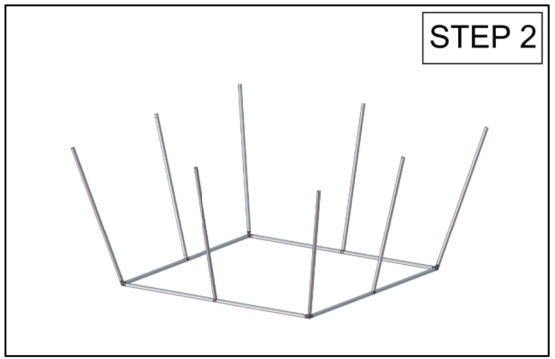
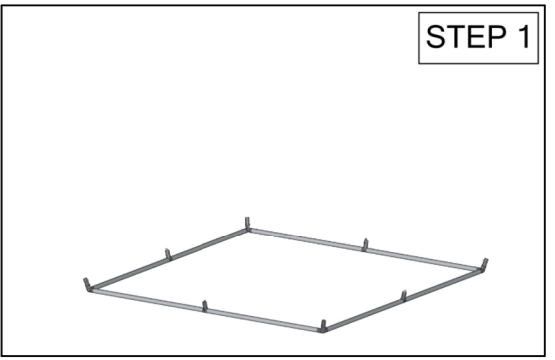
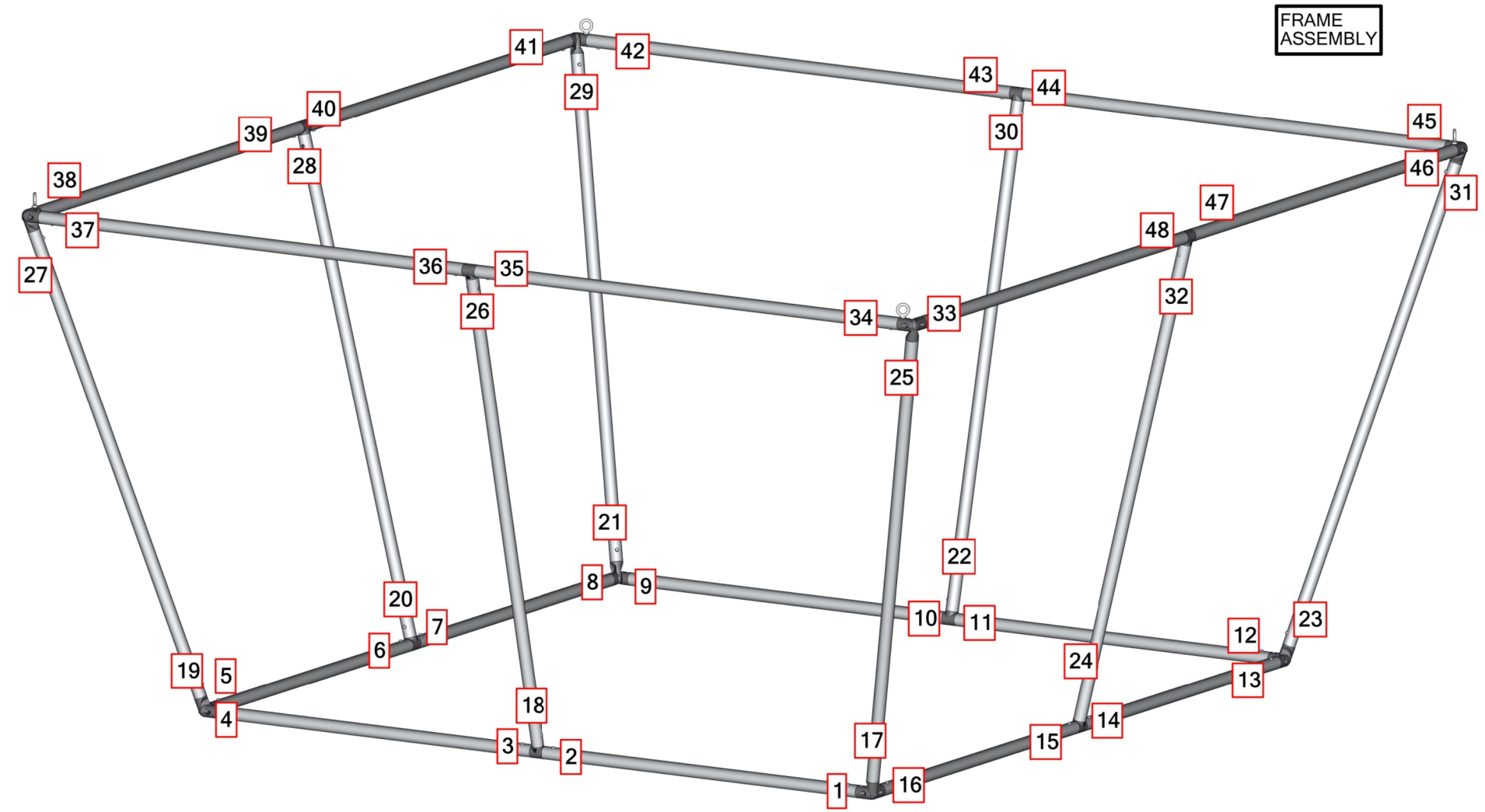
**SET UP INSTRUCTIONS:**

1. CONNECT BOTTOM AND TOP TUBES FOLLOWING THE LABELS
2. CONNECT SIDE TUBES
3. CLEAN THE FRAME AND PLACE THEM ON CLEAN PLACE
4. CAREFULLY REMOVE FABRIC COVER FROM BAG
5. PLACE COVER AROUND THE BOTTOM OF THE FRAME
6. PULL COVER CAREFULLY UP TO THE TOP
7. CLOSE ALL ZIPPERS
8. ADJUST FABRIC AROUND THE FRAME
9. CONNECT CABLE HARNESS TO THE EYEBOLTS
10. COMPLETELY TIGHTEN THREADED CONNECTORS

**BREAK DOWN INSTRUCTIONS:**  
REVERSE SET-UP STEPS TO BREAKDOWN FRAME

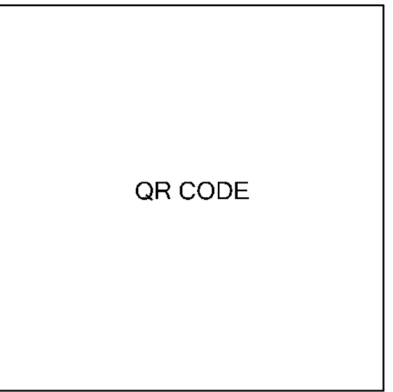
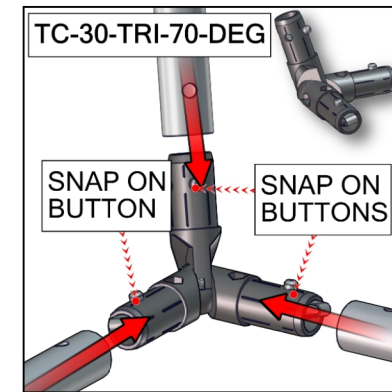
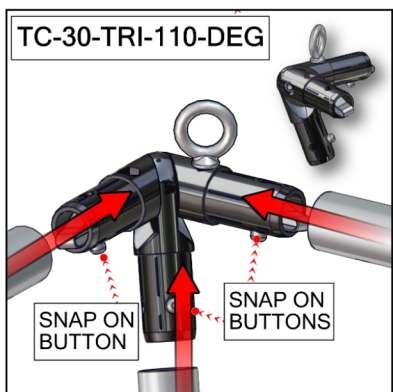
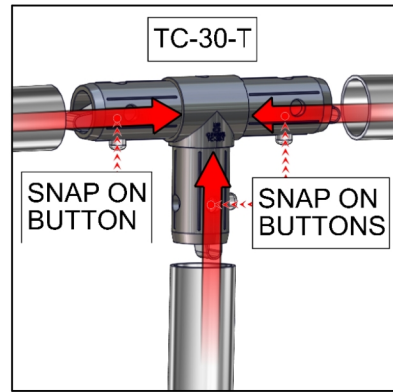
**FABRIC CARE INSTRUCTIONS:**

1. UNZIP COVER ZIPPERS
2. CAREFULLY REMOVE FABRIC COVER
3. CLOSE ALL ZIPPERS
4. FOLD OR ROLL NEATLY
5. PLACE FABRIC IN COVER BAG



**TOTAL WEIGHT: 44.71 (lbs)**  
**MAX SIZE: 42.1 (in)**  
**HARDWARE: 24.0 (lbs)**  
**GRAPHIC: 18.3 (lbs)**

| QTY | CODE              | DESCRIPTION  |
|-----|-------------------|--|
| 1   | CH-SP4-LD-08      | 4-CABLE SINGLE POINT LIGHT DUTY HARNESS WITH 96" LENGTHS 1/16" CABLE |
| 4   | SPRD-30-S6-T4-B   | LOWER TUBE FOR 4' HIGH TAPERED FOUR SIDED HANGING FABRIC STRUCTURES  |
| 4   | SPRD-30-S9-4      | LOWER TUBE FOR 4' HIGH TAPERED FOUR SIDED HANGING FABRIC STRUCTURES  |
| 8   | TC-30-T           | TC-30-T assembly   |
| 4   | TC-30-TRI-110-DEG |  |
| 4   | TC-30-TRI-70-DEG  |  |
| 8   | TSQU-08-T4-B      | LOWER TUBE FOR 4' HIGH TAPERED FOUR SIDED HANGING FABRIC STRUCTURES  |
| 8   | TSQU-08-T1-B      | UPPER TUBE FOR 8' WIDE TAPERED FOUR SIDED HANGING FABRIC STRUCTURES  |



**Set-up Video**

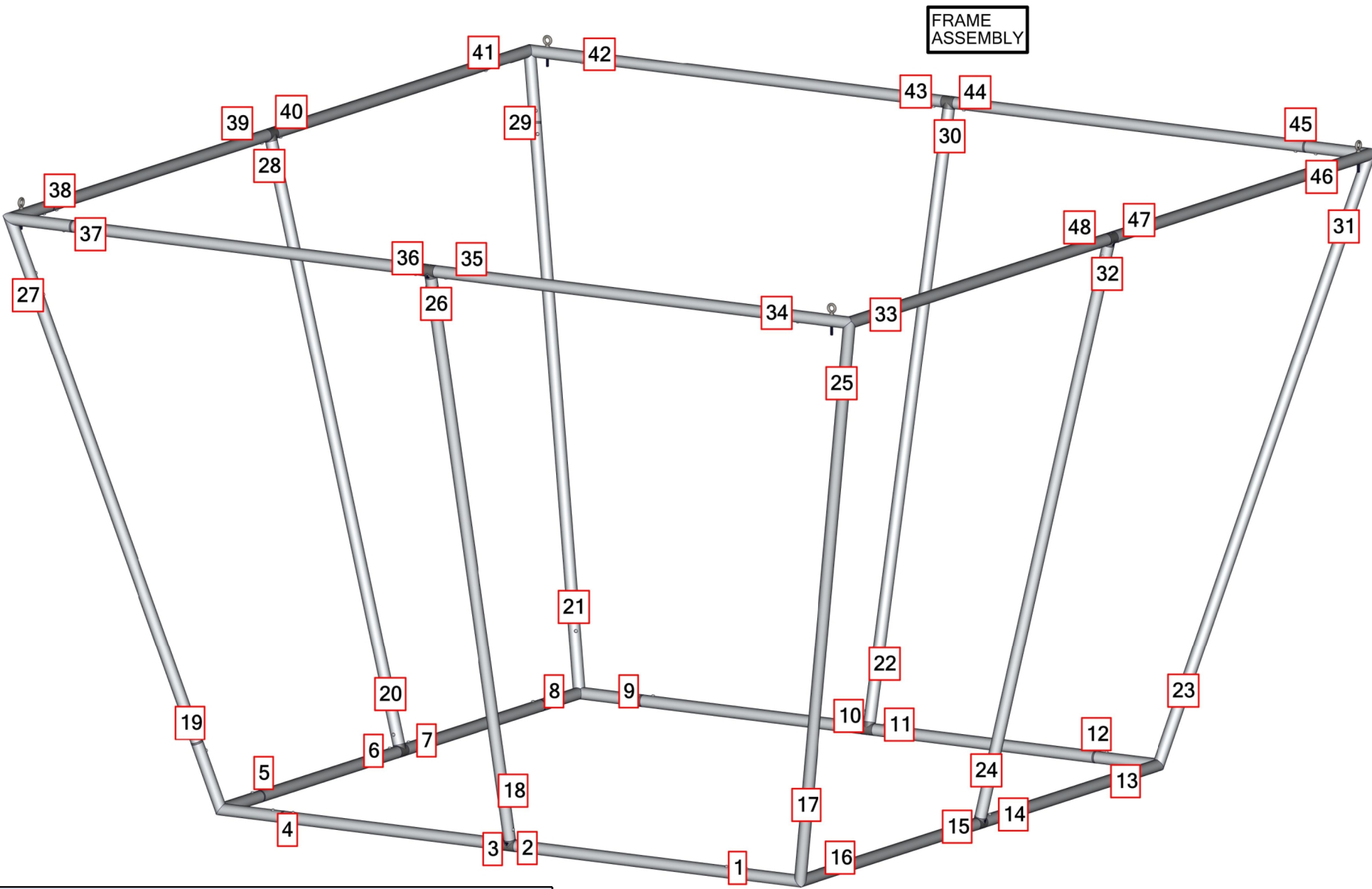
# TSQU-0805

**SET UP INSTRUCTIONS:**

1. CONNECT BOTTOM AND TOP TUBES FOLLOWING THE LABELS
2. CONNECT SIDE TUBES
3. CLEAN THE FRAME AND PLACE THEM ON CLEAN PLACE
4. CAREFULLY REMOVE FABRIC COVER FROM BAG
5. PLACE COVER AROUND THE BOTTOM OF THE FRAME
6. PULL COVER CAREFULLY UP TO THE TOP
7. CLOSE ALL ZIPPERS
8. ADJUST FABRIC AROUND THE FRAME
9. CONNECT CABLE HARNESS TO THE EYEBOLTS
10. COMPLETELY TIGHTEN THREADED CONNECTORS

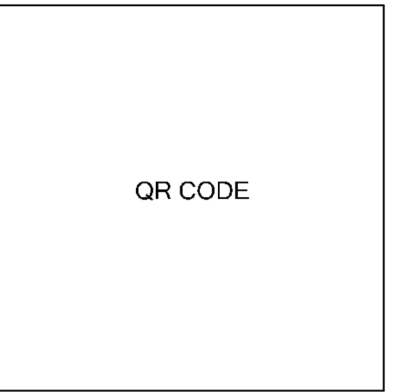
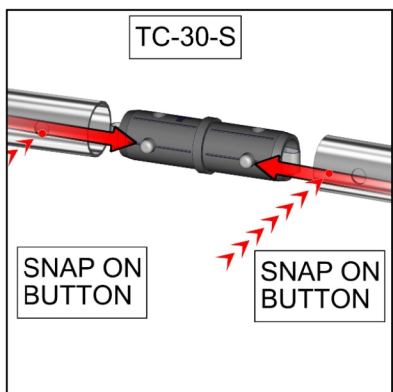
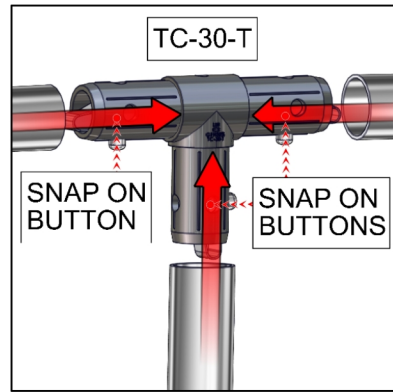
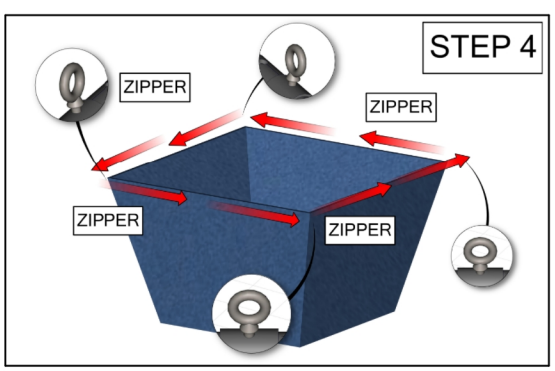
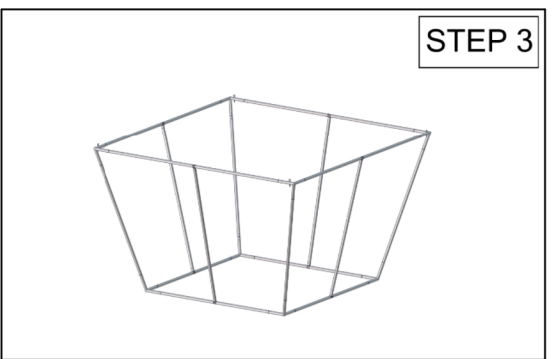
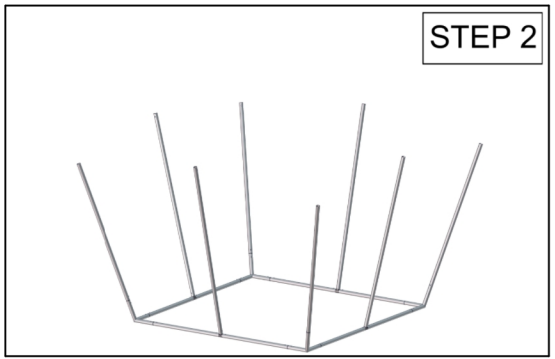
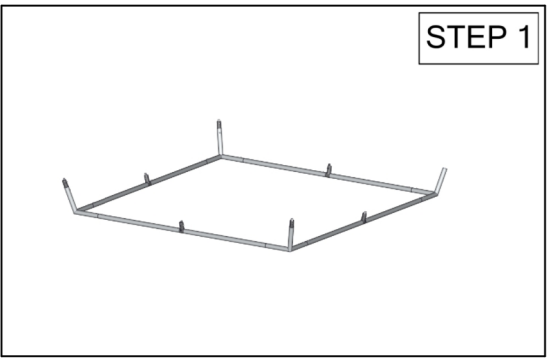
**BREAK DOWN INSTRUCTIONS:**  
REVERSE SET-UP STEPS TO BREAKDOWN FRAME

- FABRIC CARE INSTRUCTIONS:**
1. UNZIP COVER ZIPPERS
  2. CAREFULLY REMOVE FABRIC COVER
  3. CLOSE ALL ZIPPERS
  4. FOLD OR ROLL NEATLY
  5. PLACE FABRIC IN COVER BAG



TOTAL WEIGHT: 51.0 (lbs)  
 MAX SIZE: 60.0 (in)  
 HARDWARE: 25.6lbs)  
 GRAPHIC: 22.8(lbs)

| QTY | CODE               | DESCRIPTION  |
|-----|--------------------|--|
| 4   | EYEBOLTS-0.25-20-2 | 2" SHANK 0.25-20 THREADED EYE BOLT                                   |
| 1   | CH-SP4-LD-08       | 4-CABLE SINGLE POINT LIGHT DUTY HARNESS WITH 96" LENGTHS 1/16" CABLE |
| 4   | CORNER-30-90-T-L   | LOWER TUBE FOR 6' HIGH TAPERED FOUR SIDED HANGING FABRIC STRUCTURES  |
| 4   | CORNER-30-90-T-U   | LOWER TUBE FOR 2' HIGH TAPERED FOUR SIDED HANGING FABRIC STRUCTURES  |
| 4   | SPRD-30-S6-T5      | LOWER TUBE FOR 5' HIGH TAPERED FOUR SIDED HANGING FABRIC STRUCTURES  |
| 23  | TC-30-S            | INLINE CONNECTOR FOR 30MM TUBING                                     |
| 4   | SPRD-30-S9-5       | LOWER TUBE FOR 5' HIGH TAPERED FOUR SIDED HANGING FABRIC STRUCTURES  |
| 8   | TC-30-T            | T JUNCTION FOR 30MM TUBING   |
| 8   | TSQU-08-T1         | UPPER TUBE FOR 8' WIDE TAPERED FOUR SIDED HANGING FABRIC STRUCTURES  |
| 8   | TSQU-08-T5         | LOWER TUBE FOR 5' HIGH TAPERED FOUR SIDED HANGING FABRIC STRUCTURES  |



**Set-up Video**

# TSQU-0806

## FRAME ASSEMBLY

### SET UP INSTRUCTIONS:

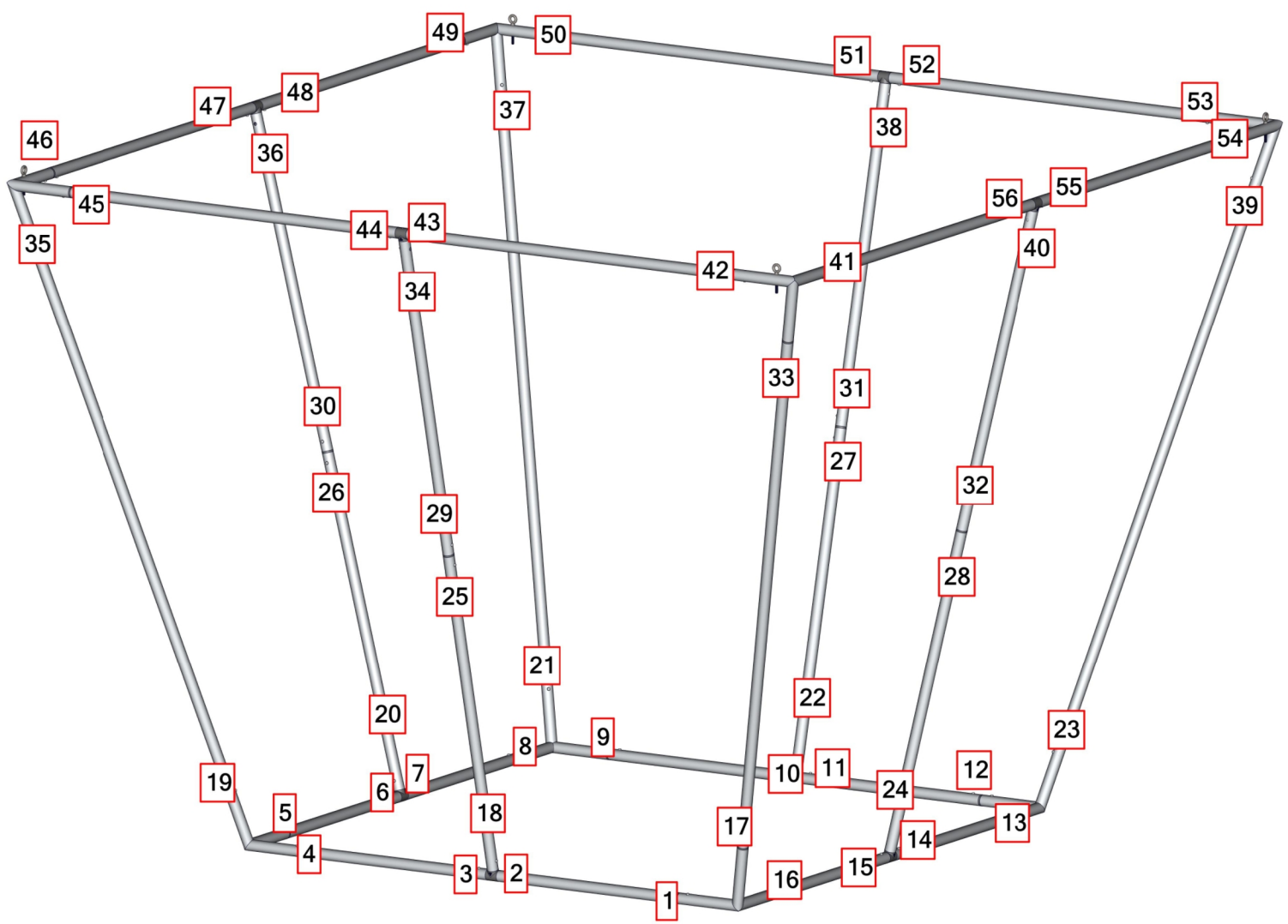
1. CONNECT BOTTOM AND TOP TUBES FOLLOWING THE LABELS
2. CONNECT SIDE TUBES
3. CLEAN THE FRAME AND PLACE THEM ON CLEAN PLACE
4. CAREFULLY REMOVE FABRIC COVER FROM BAG
5. PLACE COVER AROUND THE BOTTOM OF THE FRAME
6. PULL COVER CAREFULLY UP TO THE TOP
7. CLOSE ALL ZIPPERS
8. ADJUST FABRIC AROUND THE FRAME
9. CONNECT CABLE HARNESS TO THE EYEBOLTS
10. COMPLETELY TIGHTEN THREADED CONNECTORS

### BREAK DOWN INSTRUCTIONS:

REVERSE SET-UP STEPS TO BREAKDOWN FRAME

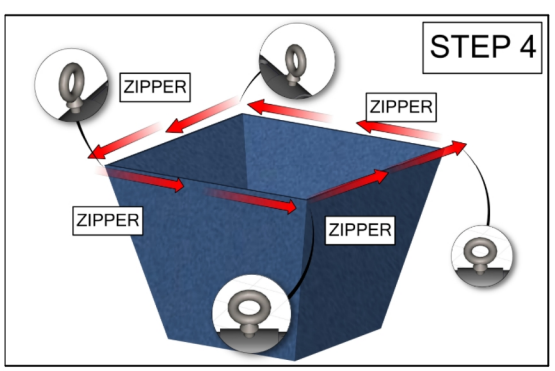
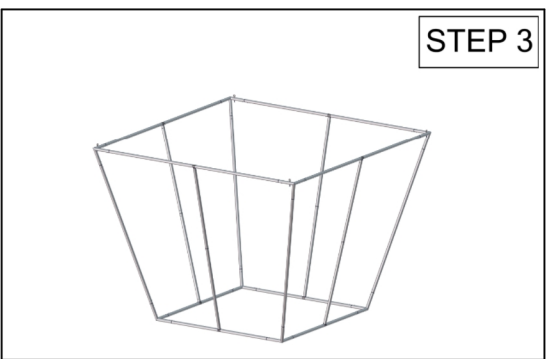
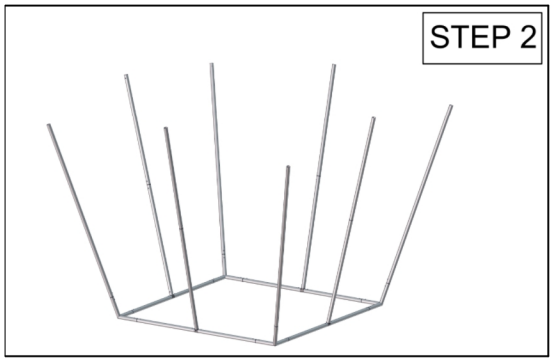
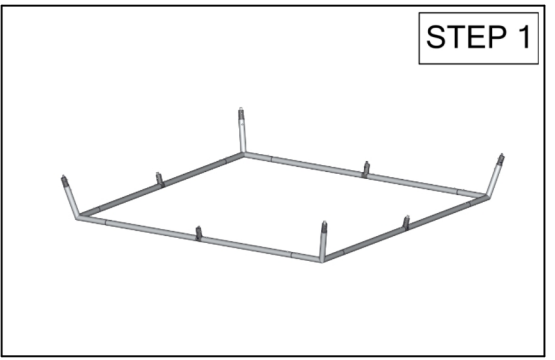
### FABRIC CARE INSTRUCTIONS:

1. UNZIP COVER ZIPPERS
2. CAREFULLY REMOVE FABRIC COVER
3. CLOSE ALL ZIPPERS
4. FOLD OR ROLL NEATLY
5. PLACE FABRIC IN COVER BAG

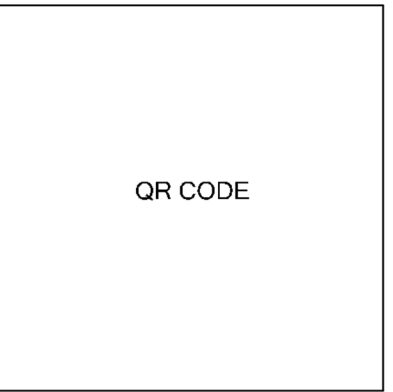
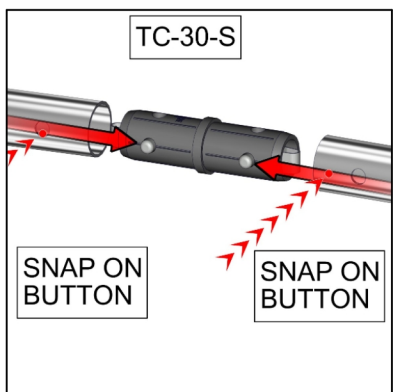
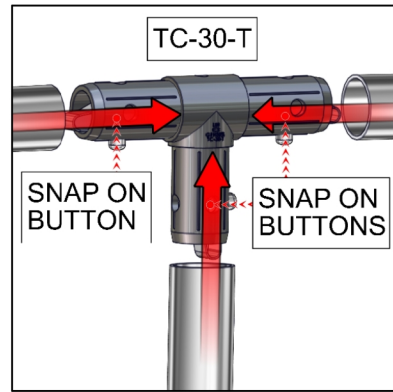


TOTAL WEIGHT: 57.9 (lbs)  
 MAX SIZE: 42.1 (in)  
 HARDWARE: 27.8lbs  
 GRAPHIC: 27.4(lbs)

| QTY | CODE               | DESCRIPTION  |
|-----|--------------------|--|
| 4   | EYEBOLTS-0.25-20-2 | 2" SHANK 0.25-20 THREADED EYE BOLT                                   |
| 1   | CH-SP4-LD-08       | 4-CABLE SINGLE POINT LIGHT DUTY HARNESS WITH 96" LENGTHS 1/16" CABLE |
| 4   | CORNER-30-90-T-U   | LOWER TUBE FOR 2' HIGH TAPERED FOUR SIDED HANGING FABRIC STRUCTURES  |
| 4   | CORNER-30-90-T-L   | LOWER TUBE FOR 6' HIGH TAPERED FOUR SIDED HANGING FABRIC STRUCTURES  |
| 4   | SPRD-30-S6-T6      | LOWER TUBE FOR 6' HIGH TAPERED FOUR SIDED HANGING FABRIC STRUCTURES  |
| 4   | SPRD-30-S9-6       | LOWER TUBE FOR 6' HIGH TAPERED FOUR SIDED HANGING FABRIC STRUCTURES  |
| 4   | SPRD-30-S9-6       | LOWER TUBE FOR 6' HIGH TAPERED FOUR SIDED HANGING FABRIC STRUCTURES  |
| 28  | TC-30-S            | INLINE CONNECTOR FOR 30MM TUBING                                     |
| 8   | TC-30-T            | T JUNCTION FOR 30MM TUBING   |
| 8   | TSQU-08-T          | UPPER TUBE FOR 8' WIDE TAPERED FOUR SIDED HANGING FABRIC STRUCTURES  |
| 8   | TSQU-08-T6         | LOWER TUBE FOR 6' HIGH TAPERED FOUR SIDED HANGING FABRIC STRUCTURES  |



WIRE CABLES



QR CODE

Set-up Video