

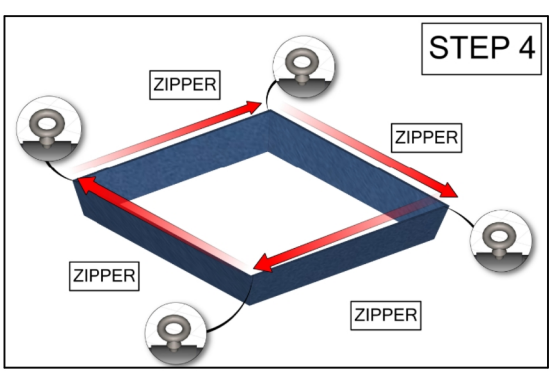
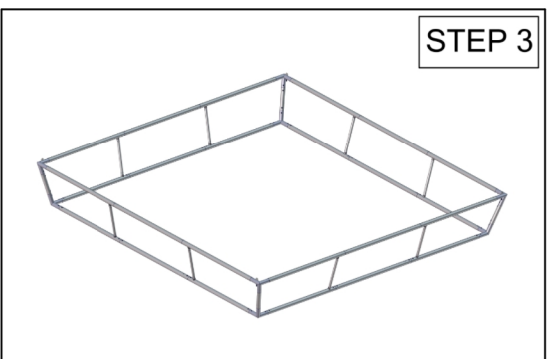
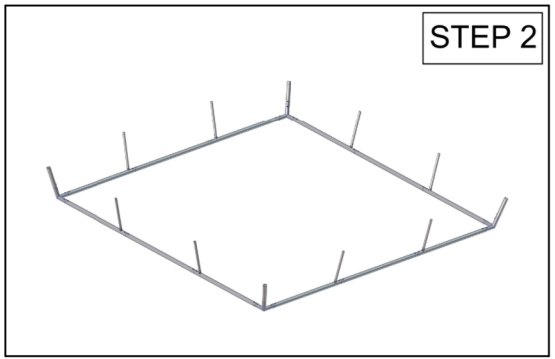
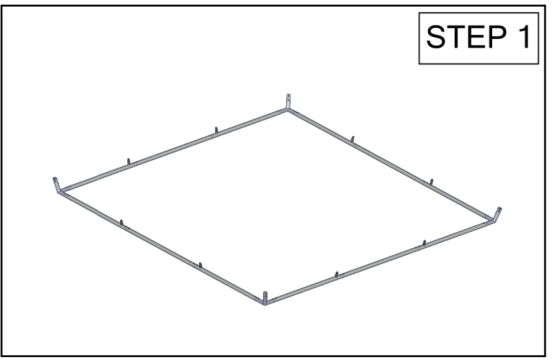
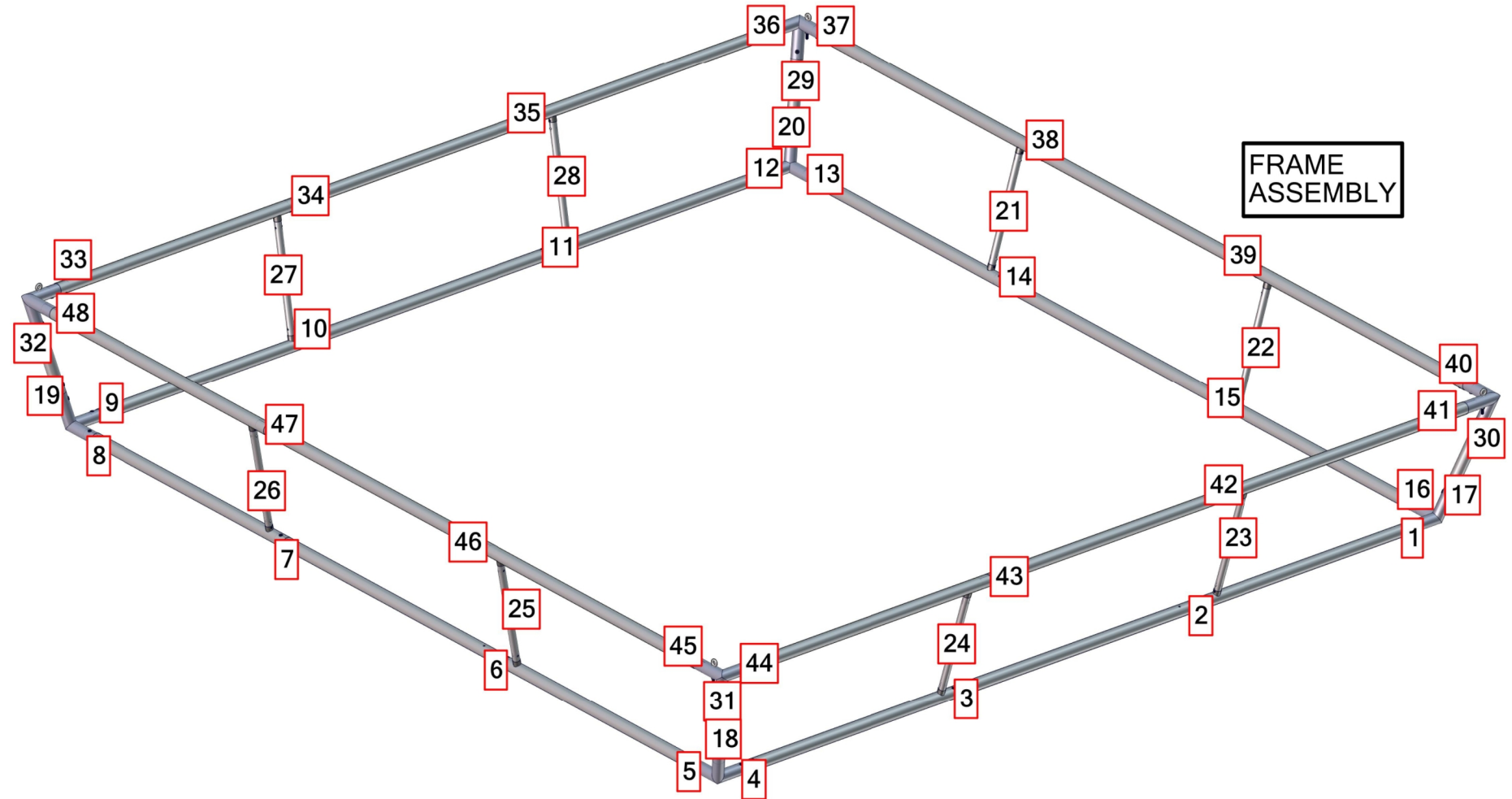
# TSQU-1402

**SET UP INSTRUCTIONS:**

1. CONNECT BOTTOM AND TOP TUBES FOLLOWING THE LABELS
2. CONNECT SIDE TUBES
3. CLEAN THE FRAME AND PLACE THEM ON CLEAN PLACE
4. CAREFULLY REMOVE FABRIC COVER FROM BAG
5. PLACE COVER AROUND THE BOTTOM OF THE FRAME
6. PULL COVER CAREFULLY UP TO THE TOP
7. CLOSE ALL ZIPPERS
8. ADJUST FABRIC AROUND THE FRAME
9. CONNECT CABLE HARNESS TO THE EYEBOLTS
10. COMPLETELY TIGHTEN THREADED CONNECTORS

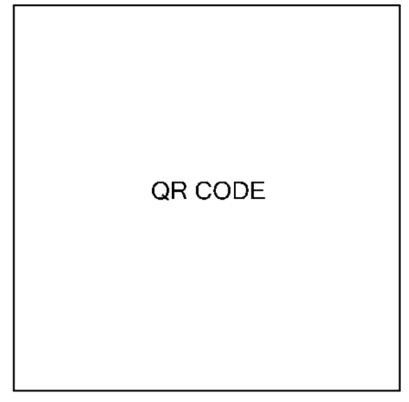
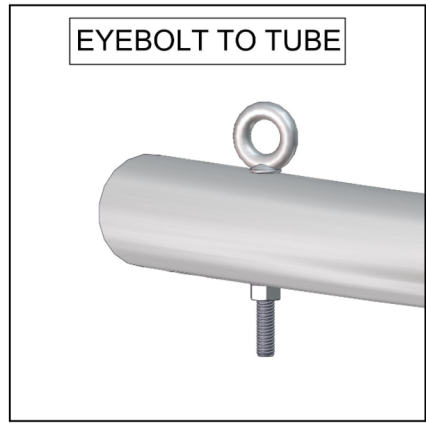
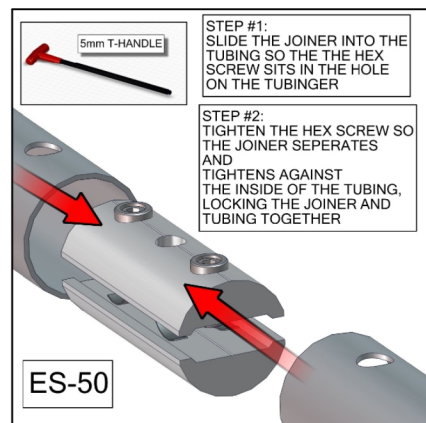
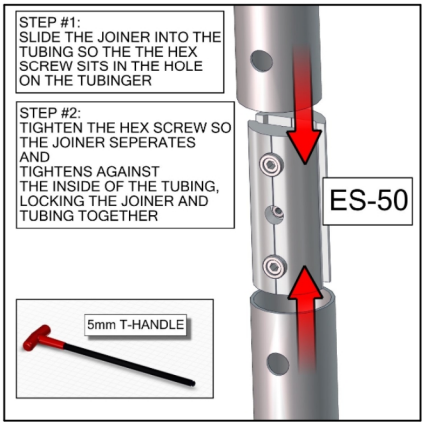
**BREAK DOWN INSTRUCTIONS:**  
REVERSE SET-UP STEPS TO BREAKDOWN FRAME

- FABRIC CARE INSTRUCTIONS:**
1. UNZIP COVER ZIPPERS
  2. CAREFULLY REMOVE FABRIC COVER
  3. CLOSE ALL ZIPPERS
  4. FOLD OR ROLL NEATLY
  5. PLACE FABRIC IN COVER BAG



**TOTAL WEIGHT: 97.7 (lbs)**  
**MAX SIZE: 51.3 (in)**  
**HARDWARE: 74.3 (lbs)**  
**GRAPHIC: 16.0 (lbs)**

QTY	CODE	DESCRIPTION
4	EYE BOLT	5/16-18X3.125" PARTIALLY THREADED EYE BOLT FOR 2" TUBING FABRIC STRUCTURES
4	CORNER-50-T-U	TOP 50MM CORNER FOR 50MM 4-SIDED TAPERED
4	CORNER-50-T-L	BOTTOM 50MM CORNER FOR TAPERED 4-SIDED
8	SPRD-30-S10-2	30MM SPREADER FOR 50MM 2'H TAPERED 4-SIDED
4	SPRD-50-S3-2	50MM CORNER SPREADER FOR 2'H TAPERED 4-SIDED
5	TSQU-14-T2-2	50MM BOTTOM TUBE FOR 1402 TAPERED 4-SIDED
15	TSQU-14-T1	50MM
4	TSQU-14-T3	50MM TOP TUBE FOR 14' TAPERED 4-SIDED



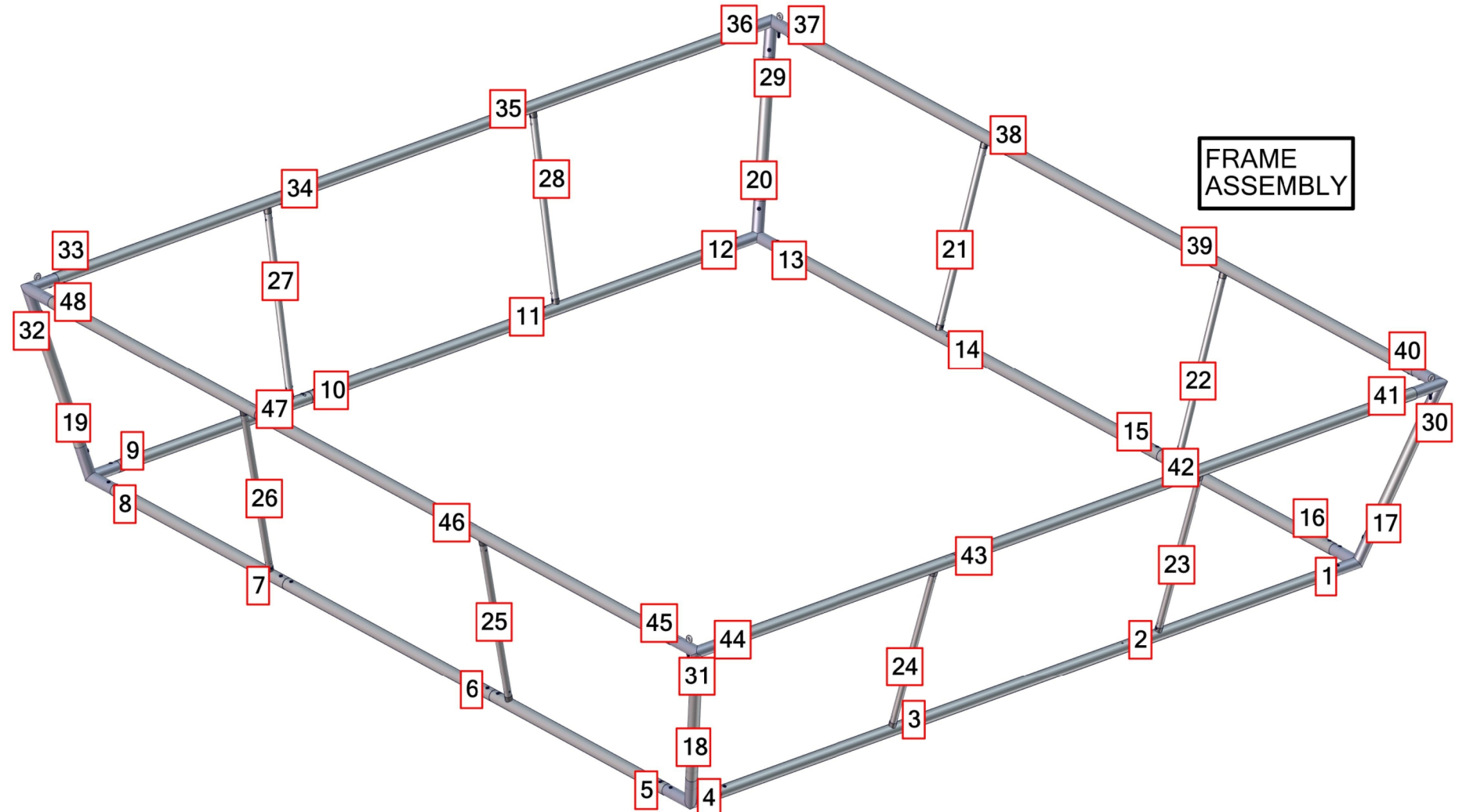
# TSQU-1403

**SET UP INSTRUCTIONS:**

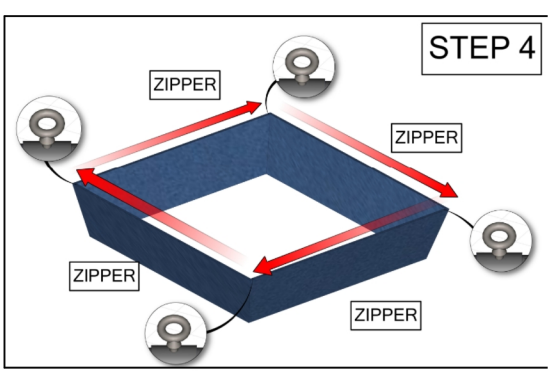
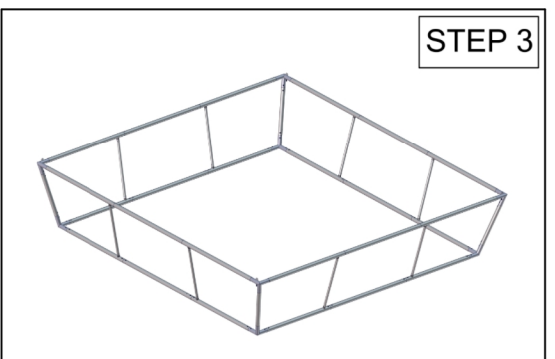
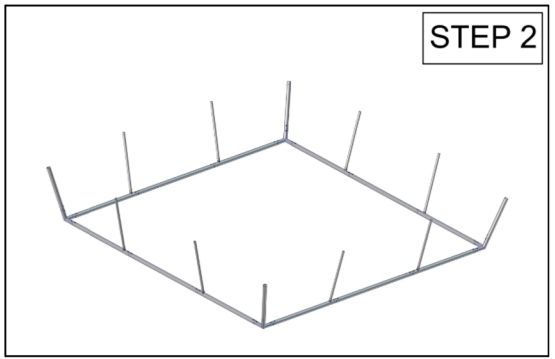
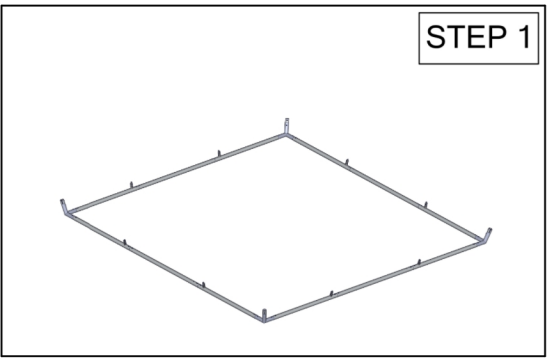
1. CONNECT BOTTOM AND TOP TUBES FOLLOWING THE LABELS
2. CONNECT SIDE TUBES
3. CLEAN THE FRAME AND PLACE THEM ON CLEAN PLACE
4. CAREFULLY REMOVE FABRIC COVER FROM BAG
5. PLACE COVER AROUND THE BOTTOM OF THE FRAME
6. PULL COVER CAREFULLY UP TO THE TOP
7. CLOSE ALL ZIPPERS
8. ADJUST FABRIC AROUND THE FRAME
9. CONNECT CABLE HARNESS TO THE EYEBOLTS
10. COMPLETELY TIGHTEN THREADED CONNECTORS

**BREAK DOWN INSTRUCTIONS:**  
REVERSE SET-UP STEPS TO BREAKDOWN FRAME

- FABRIC CARE INSTRUCTIONS:**
1. UNZIP COVER ZIPPERS
  2. CAREFULLY REMOVE FABRIC COVER
  3. CLOSE ALL ZIPPERS
  4. FOLD OR ROLL NEATLY
  5. PLACE FABRIC IN COVER BAG

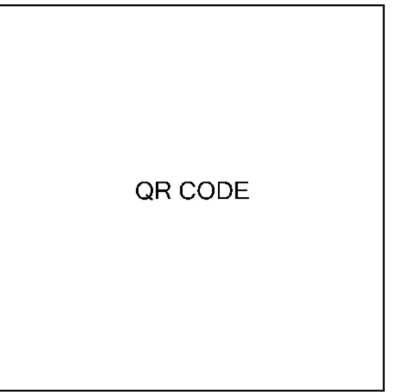
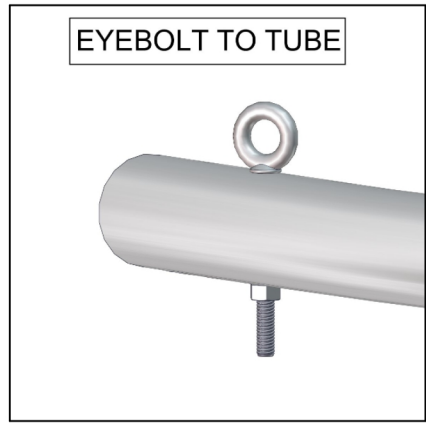
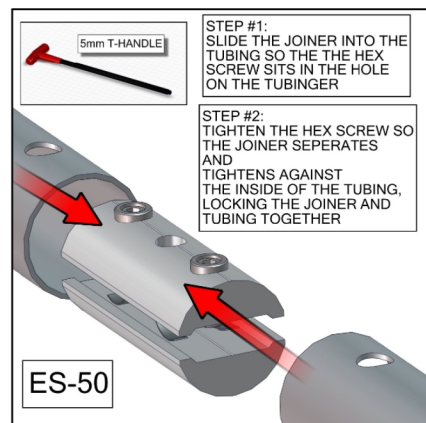
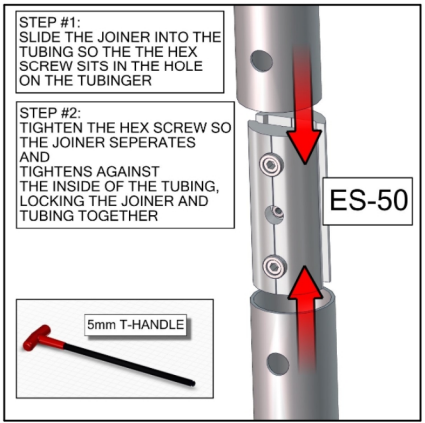


**FRAME ASSEMBLY**



**TOTAL WEIGHT: 102.4 (lbs)**  
**MAX SIZE: 51.3 (in)**  
**HARDWARE: 76.0 (lbs)**  
**GRAPHIC: 18.8 (lbs)**

QTY	CODE	DESCRIPTION
4	EYE BOLT	5/16-18X3.125" PARTIALLY THREADED EYE BOLT FOR 2" TUBING FABRIC STRUCTURES
4	CORNER-50-T-U	TOP 50MM CORNER FOR 50MM 4-SIDED TAPERED
4	CORNER-50-T-L	BOTTOM 50MM CORNER FOR TAPERED 4-SIDED
8	SPRD-30-S10-3	30MM SPREADER FOR 50MM 2'H TAPERED 4-SIDED
4	SPRD-50-S3-3	50MM CORNER SPREADER FOR 3'H TAPERED 4-SIDED
5	TSQU-14-T2-3	50MM BOTTOM TUBE FOR 1403 TAPERED 4-SIDED
15	TSQU-14-T1	50MM
4	TSQU-14-T3	50MM TOP TUBE FOR 14' TAPERED 4-SIDED



**Set-up Video**

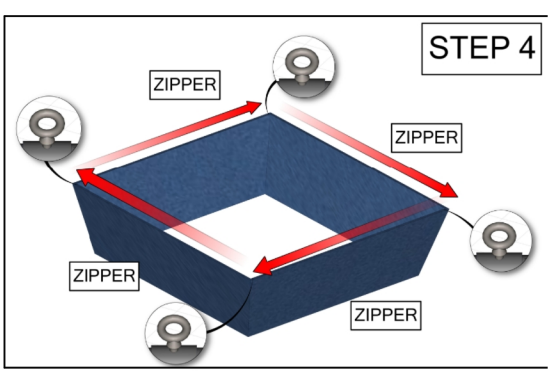
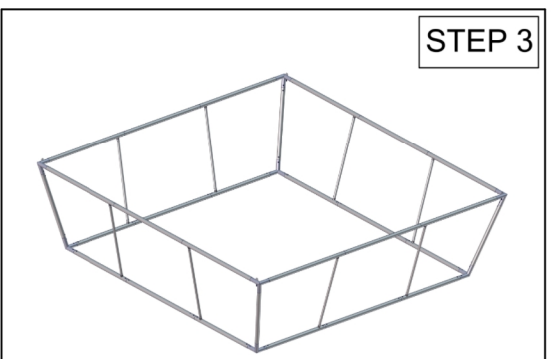
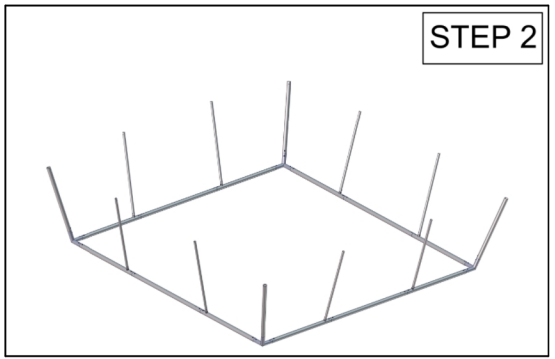
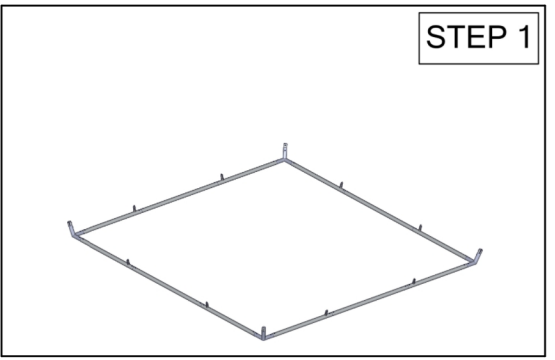
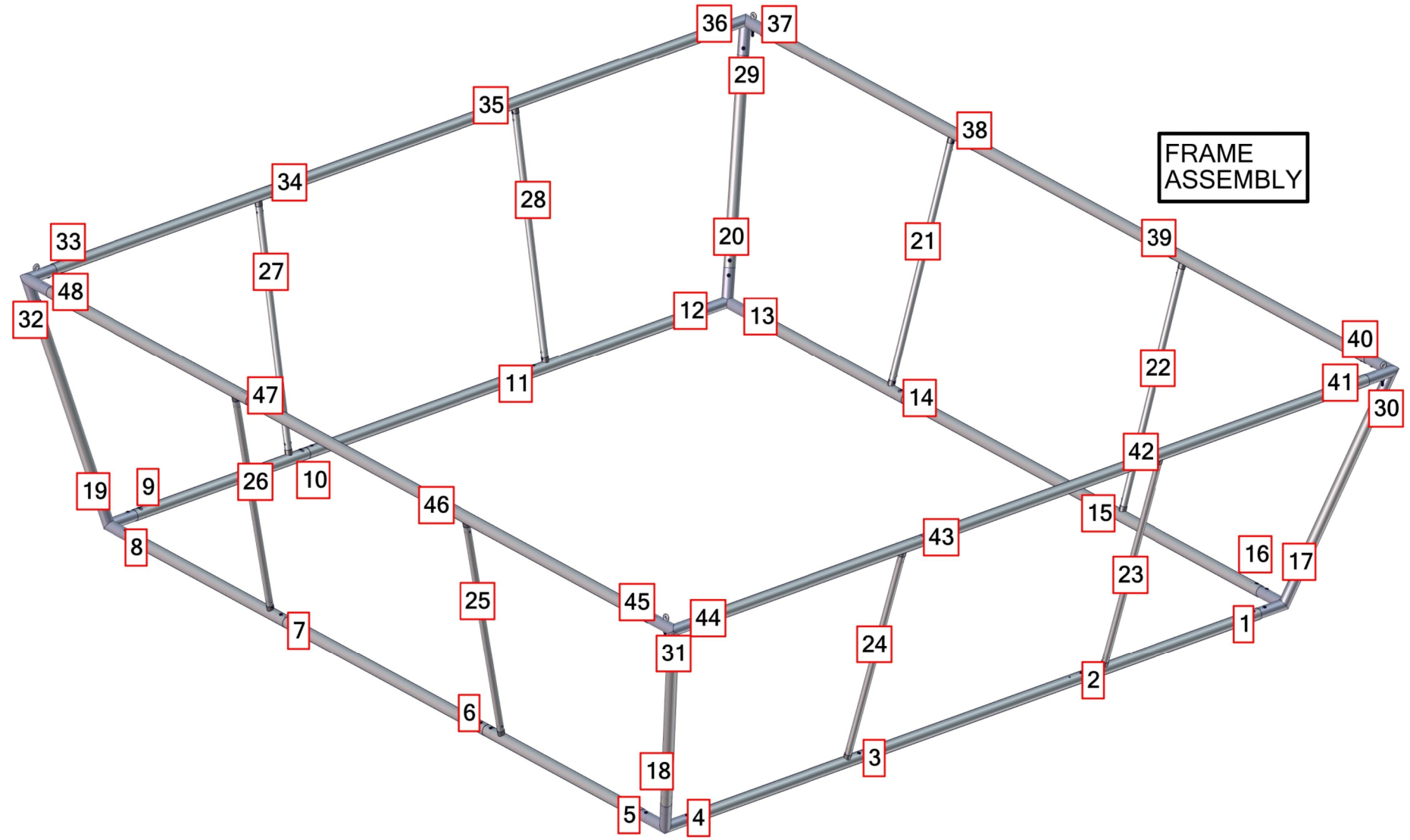
# TSQU-1404

**SET UP INSTRUCTIONS:**

1. CONNECT BOTTOM AND TOP TUBES FOLLOWING THE LABELS
2. CONNECT SIDE TUBES
3. CLEAN THE FRAME AND PLACE THEM ON CLEAN PLACE
4. CAREFULLY REMOVE FABRIC COVER FROM BAG
5. PLACE COVER AROUND THE BOTTOM OF THE FRAME
6. PULL COVER CAREFULLY UP TO THE TOP
7. CLOSE ALL ZIPPERS
8. ADJUST FABRIC AROUND THE FRAME
9. CONNECT CABLE HARNESS TO THE EYEBOLTS
10. COMPLETELY TIGHTEN THREADED CONNECTORS

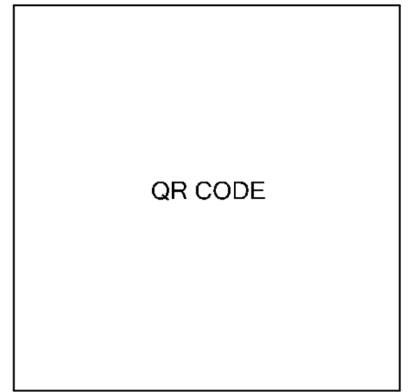
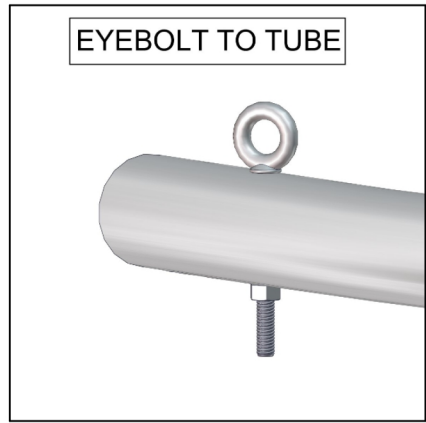
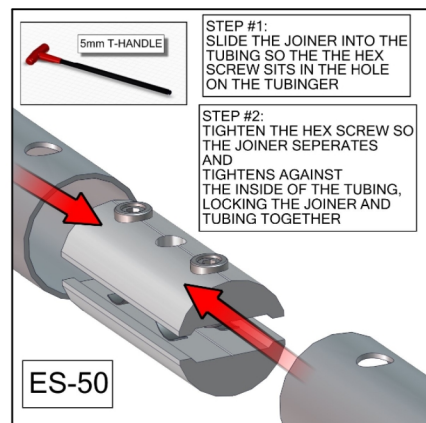
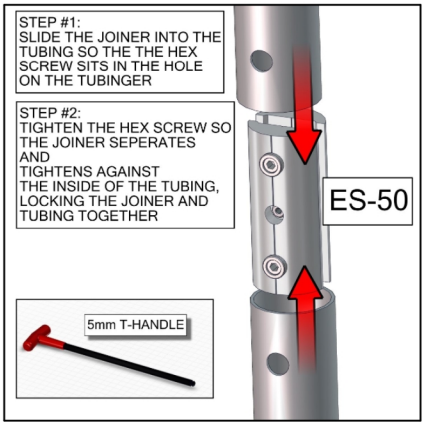
**BREAK DOWN INSTRUCTIONS:**  
REVERSE SET-UP STEPS TO BREAKDOWN FRAME

- FABRIC CARE INSTRUCTIONS:**
1. UNZIP COVER ZIPPERS
  2. CAREFULLY REMOVE FABRIC COVER
  3. CLOSE ALL ZIPPERS
  4. FOLD OR ROLL NEATLY
  5. PLACE FABRIC IN COVER BAG



**TOTAL WEIGHT: 155.2(lbs)**  
**MAX SIZE: 51.3 (in)**  
**HARDWARE: 112.0 (lbs)**  
**GRAPHIC: 32.0(lbs)**

QTY	CODE	DESCRIPTION
4	EYE BOLT	5/16-18X3.125" PARTIALLY THREADED EYE BOLT FOR 2" TUBING FABRIC STRUCTURES
4	CORNER-50-T-U	TOP 50MM CORNER FOR 50MM 4-SIDED TAPERED
4	CORNER-50-T-L	BOTTOM 50MM CORNER FOR TAPERED 4-SIDED
8	SPRD-30-S10-4	30MM SPREADER FOR 50MM 4'H TAPERED 4-SIDED
4	SPRD-50-S3-4	50MM CORNER SPREADER FOR 4'H TAPERED 4-SIDED
5	TSQU-14-T2-4	50MM BOTTOM TUBE FOR 1404 TAPERED 4-SIDED
15	TSQU-14-T1	50MM
4	TSQU-14-T3	50MM TOP TUBE FOR 14' TAPERED 4-SIDED



**Set-up Video**

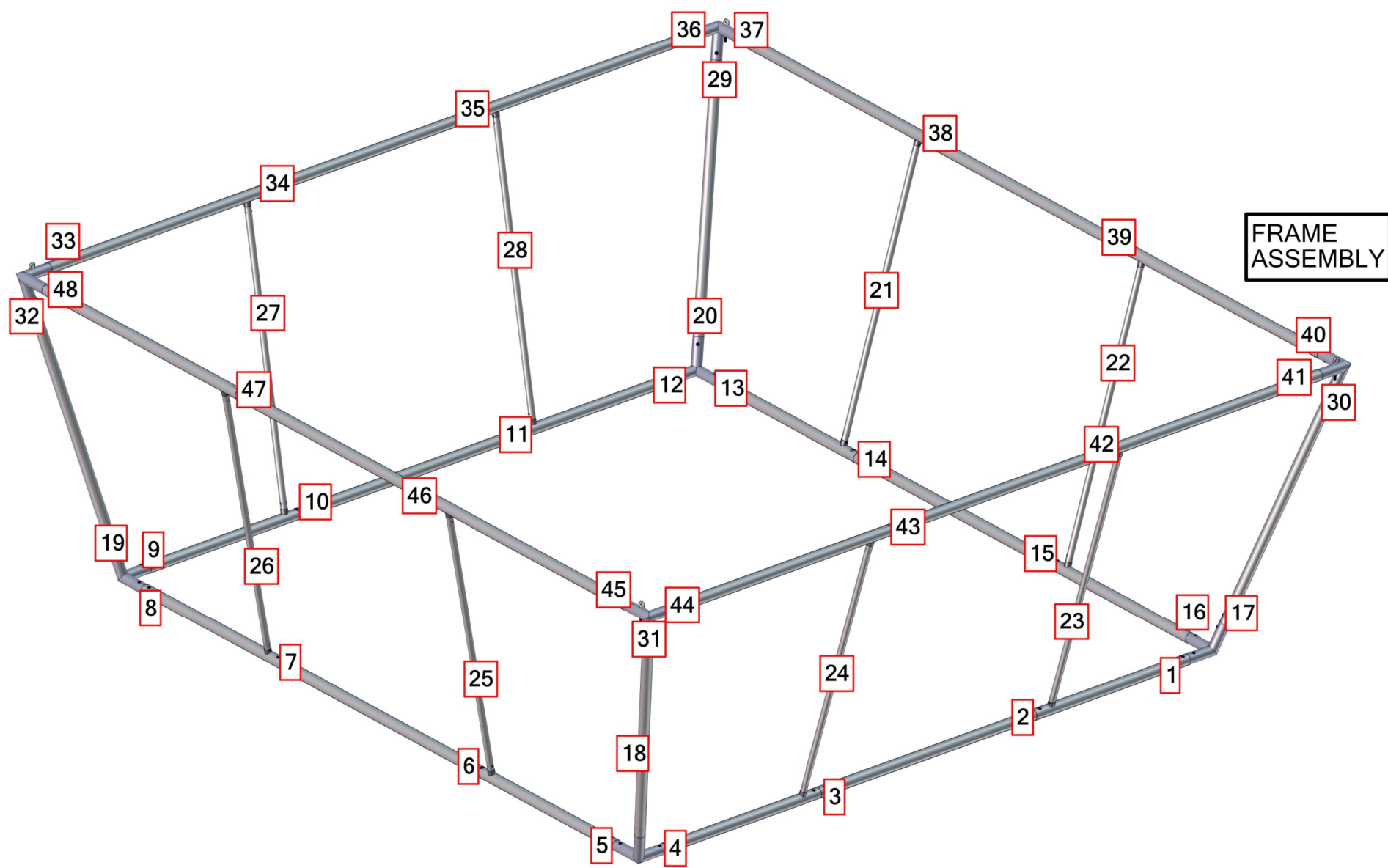
# TSQU-1405

**SET UP INSTRUCTIONS:**

1. CONNECT BOTTOM AND TOP TUBES FOLLOWING THE LABELS
2. CONNECT SIDE TUBES
3. CLEAN THE FRAME AND PLACE THEM ON CLEAN PLACE
4. CAREFULLY REMOVE FABRIC COVER FROM BAG
5. PLACE COVER AROUND THE BOTTOM OF THE FRAME
6. PULL COVER CAREFULLY UP TO THE TOP
7. CLOSE ALL ZIPPERS
8. ADJUST FABRIC AROUND THE FRAME
9. CONNECT CABLE HARNESS TO THE EYEBOLTS
10. COMPLETELY TIGHTEN THREADED CONNECTORS

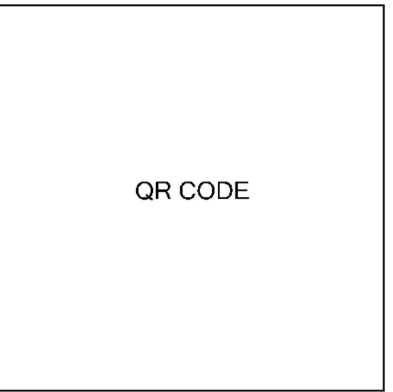
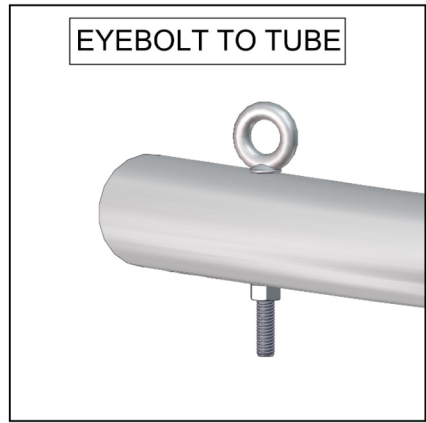
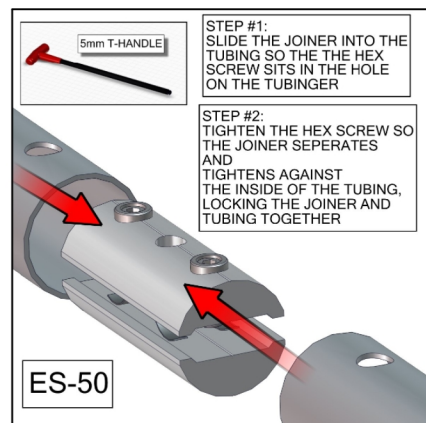
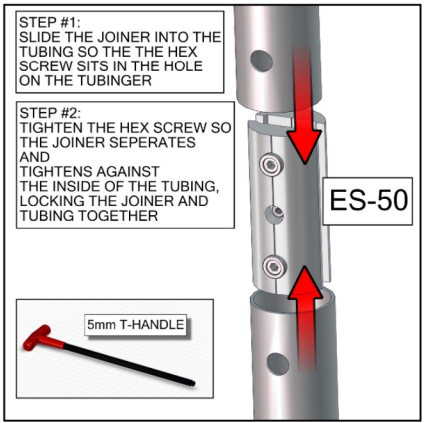
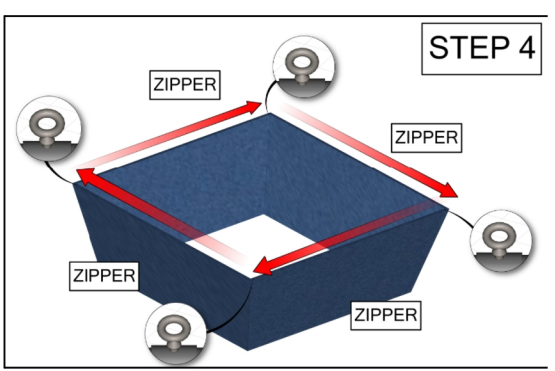
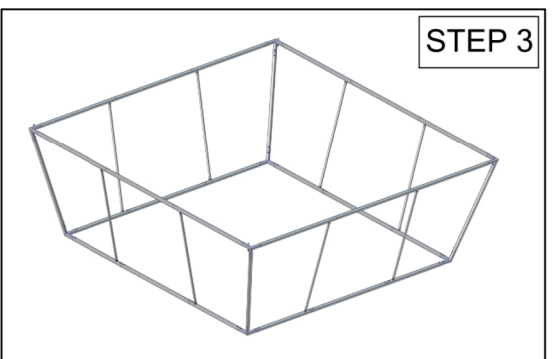
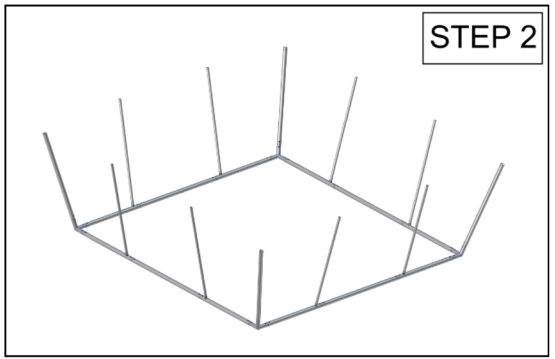
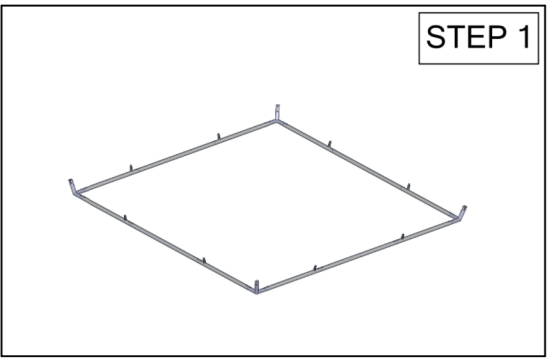
**BREAK DOWN INSTRUCTIONS:**  
REVERSE SET-UP STEPS TO BREAKDOWN FRAME

- FABRIC CARE INSTRUCTIONS:**
1. UNZIP COVER ZIPPERS
  2. CAREFULLY REMOVE FABRIC COVER
  3. CLOSE ALL ZIPPERS
  4. FOLD OR ROLL NEATLY
  5. PLACE FABRIC IN COVER BAG



**TOTAL WEIGHT: 155.4 (lbs)**  
**MAX SIZE: 51.3 (in)**  
**HARDWARE: 105.0 (lbs)**  
**GRAPHIC: 40.0 (lbs)**

QTY	CODE	DESCRIPTION
4	EYE BOLT	5/16-18X3.125" PARTIALLY THREADED EYE BOLT FOR 2" TUBING FABRIC STRUCTURES
4	CORNER-50-T-U	TOP 50MM CORNER FOR 50MM 4-SIDED TAPERED
4	CORNER-50-T-L	BOTTOM 50MM CORNER FOR TAPERED 4-SIDED
8	SPRD-30-S10-5	30MM SPREADER FOR 50MM 5'H TAPERED 4-SIDED
4	SPRD-50-S3-5	50MM CORNER SPREADER FOR 5'H TAPERED 4-SIDED
5	TSQU-14-T2-5	50MM BOTTOM TUBE FOR 1405 TAPERED 4-SIDED
15	TSQU-14-T1	50MM
4	TSQU-14-T3	50MM TOP TUBE FOR 14' TAPERED 4-SIDED



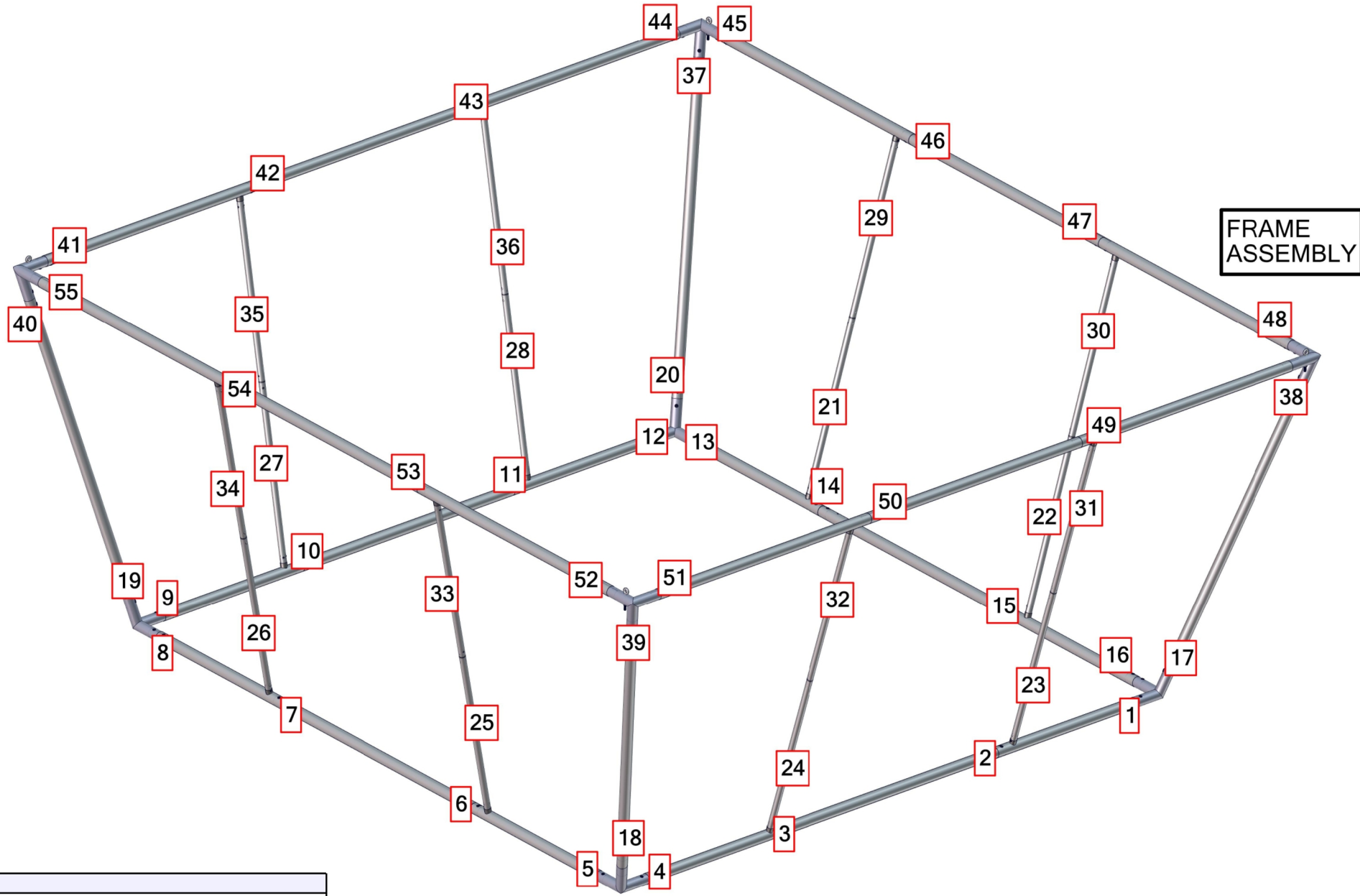
# TSQU-1406

**SET UP INSTRUCTIONS:**

1. CONNECT BOTTOM AND TOP TUBES FOLLOWING THE LABELS
2. CONNECT SIDE TUBES
3. CLEAN THE FRAME AND PLACE THEM ON CLEAN PLACE
4. CAREFULLY REMOVE FABRIC COVER FROM BAG
5. PLACE COVER AROUND THE BOTTOM OF THE FRAME
6. PULL COVER CAREFULLY UP TO THE TOP
7. CLOSE ALL ZIPPERS
8. ADJUST FABRIC AROUND THE FRAME
9. CONNECT CABLE HARNESS TO THE EYEBOLTS
10. COMPLETELY TIGHTEN THREADED CONNECTORS

**BREAK DOWN INSTRUCTIONS:**  
REVERSE SET-UP STEPS TO BREAKDOWN FRAME

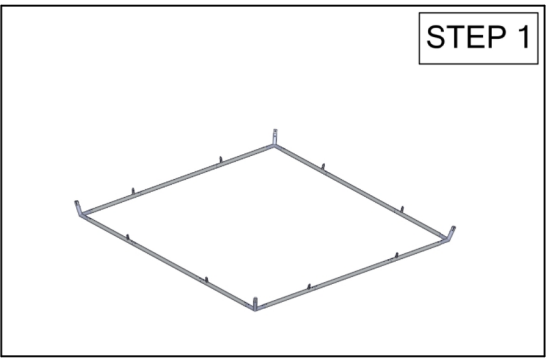
- FABRIC CARE INSTRUCTIONS:**
1. UNZIP COVER ZIPPERS
  2. CAREFULLY REMOVE FABRIC COVER
  3. CLOSE ALL ZIPPERS
  4. FOLD OR ROLL NEATLY
  5. PLACE FABRIC IN COVER BAG



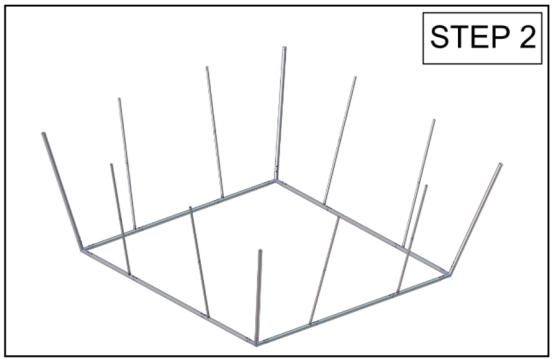
**FRAME ASSEMBLY**

**TOTAL WEIGHT: 173.5 (lbs)**  
**MAX SIZE: 51.3 (in)**  
**HARDWARE: 114.1 (lbs)**  
**GRAPHIC: 48.0 (lbs)**

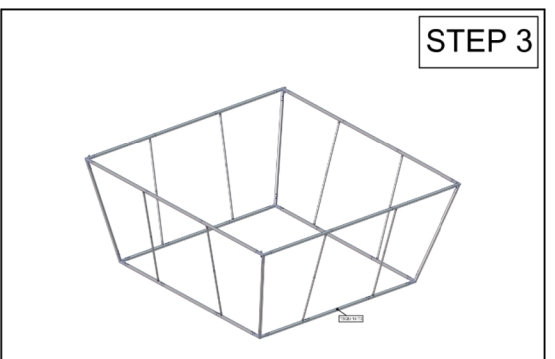
QTY	CODE	DESCRIPTION
4	EYE BOLT	5/16-18X3.125" PARTIALLY THREADED EYE BOLT FOR 2" TUBING FABRIC STRUCTURES
1	CH-SP4-HD-12	4-CABLE SINGLE POINT HEAVY DUTY HARNESS WITH 144" LENGTHS 1/8" CABLE
4	CORNER-50-T-U	TOP 50MM CORNER FOR 50MM 4-SIDED TAPERED
4	CORNER-50-T-L	BOTTOM 50MM CORNER FOR TAPERED 4-SIDED
40	ES-50	EXPANDING SPIGOT FOR 50MM TUBE
8	SPRD-30-S10-6	30MM SPREADER FOR 50MM 6'H TAPERED 4-SIDED
4	SPRD-50-S3-6	50MM CORNER SPREADER FOR 5'H TAPERED 4-SIDED
8	TC-30-S	INLINE CONNECTOR FOR 30MM TUBING
3	TSQU-14-T3	50MM TOP TUBE FOR 14' TAPERED 4-SIDED
5	TSQU-14-T2-6	50MM BOTTOM TUBE FOR 1406 TAPERED 4-SIDED
16	TSQU-14	



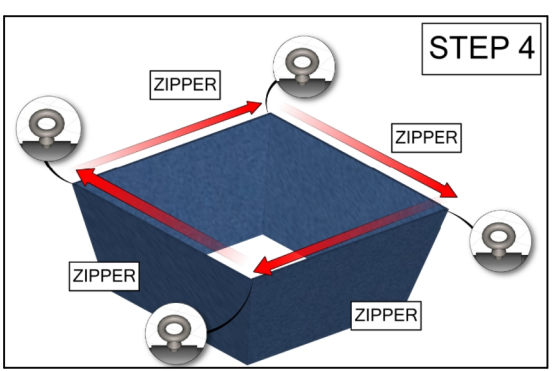
**STEP 1**



**STEP 2**



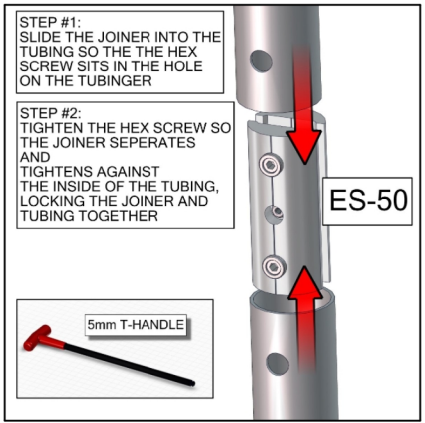
**STEP 3**



**STEP 4**



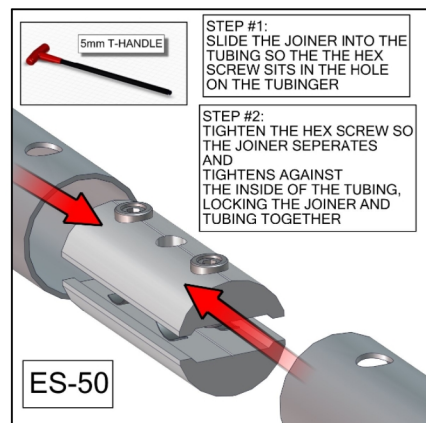
**WIRE CABLES**



**STEP #1:** SLIDE THE JOINER INTO THE TUBING SO THE THE HEX SCREW SITS IN THE HOLE ON THE TUBINGER

**STEP #2:** TIGHTEN THE HEX SCREW SO THE JOINER SEPERATES AND TIGHTENS AGAINST THE INSIDE OF THE TUBING, LOCKING THE JOINER AND TUBING TOGETHER

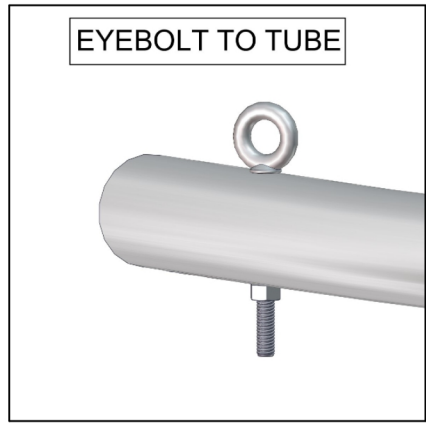
**ES-50**



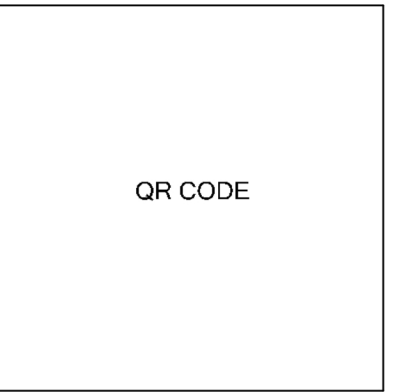
**STEP #1:** SLIDE THE JOINER INTO THE TUBING SO THE THE HEX SCREW SITS IN THE HOLE ON THE TUBINGER

**STEP #2:** TIGHTEN THE HEX SCREW SO THE JOINER SEPERATES AND TIGHTENS AGAINST THE INSIDE OF THE TUBING, LOCKING THE JOINER AND TUBING TOGETHER

**ES-50**



**EYEBOLT TO TUBE**



**QR CODE**



**Set-up Video**