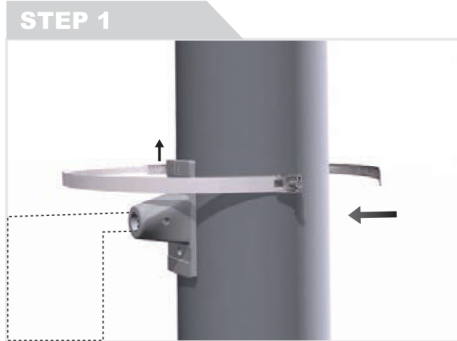
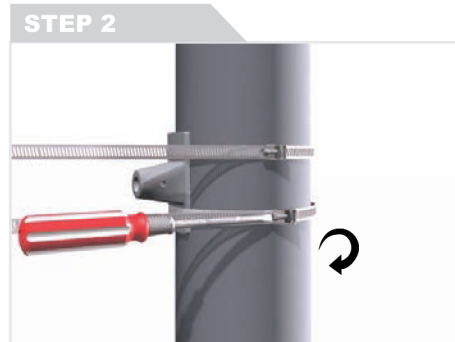




SET UP INSTRUCTIONS (ALL SIZES)



STEP 1
Place brackets on street pole & secure with stainless steel clamps (2pc clamp per bracket)



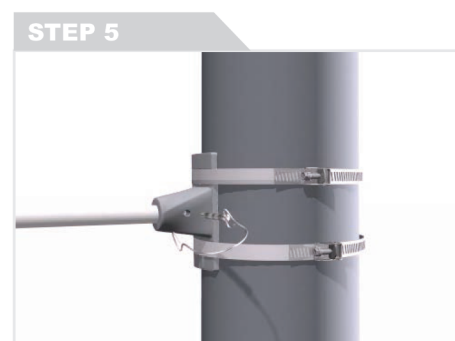
STEP 2
Tighten clamps with screwdriver or an electric drill with a screwdriver bit for quicker install



STEP 3
Insert poles through pole pockets of graphic



STEP 4
Insert poles into holes on bracket (bracket position may need adjustment)



STEP 5
Insert pin to lock poles into place