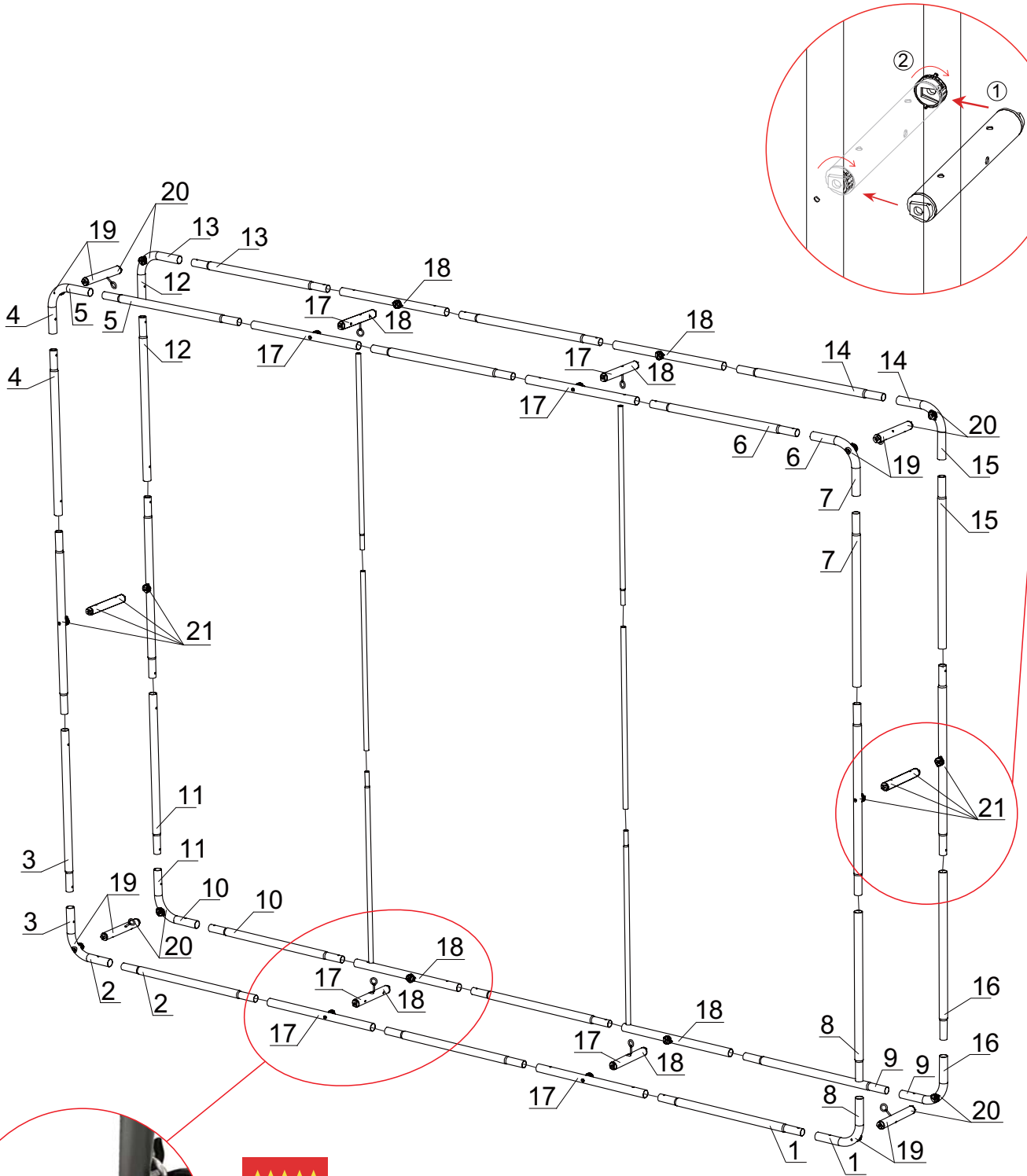


# ASSEMBLY INSTRUCTIONS

## 10FT Dazzle Portable LED Light Box



### REMINDER for Single Sided Graphics:

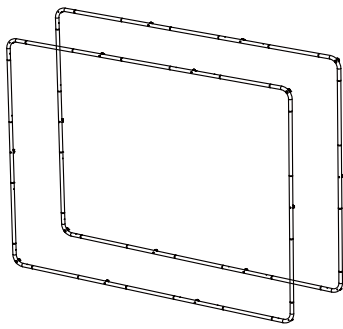
Red labeled direction should face the BACK of the Display and the Blue direction should face the graphic side.  
(With single sided displays, the LEDs should face the back of the graphic to achieve a more even lighting effect)

### Switch on LED Panels Individually:

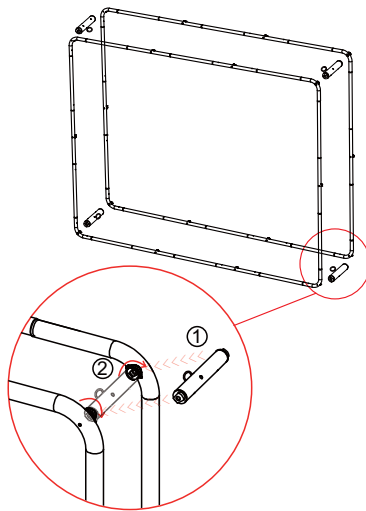
Please switch the LED panels on one at a time after assembly, this helps avoid a sudden electrical overload and potential damage to the LED panels.

# ASSEMBLY INSTRUCTIONS

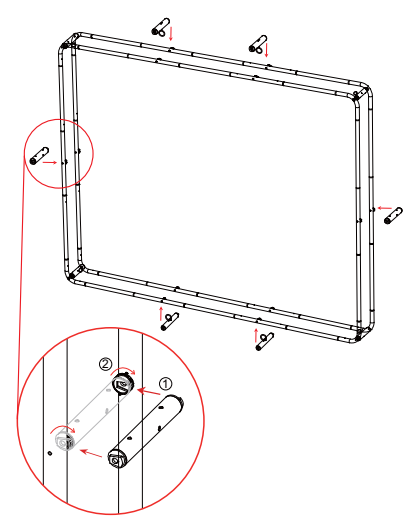
## 10FT Dazzle Portable LED Light Box



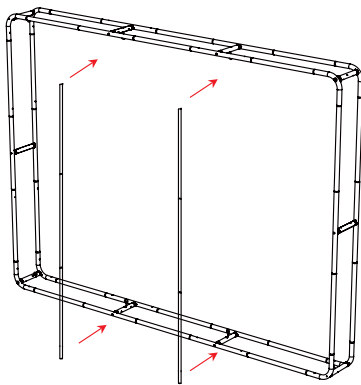
Put together the front and back large tube frames, as the picture shown, and prepare the center support tubes



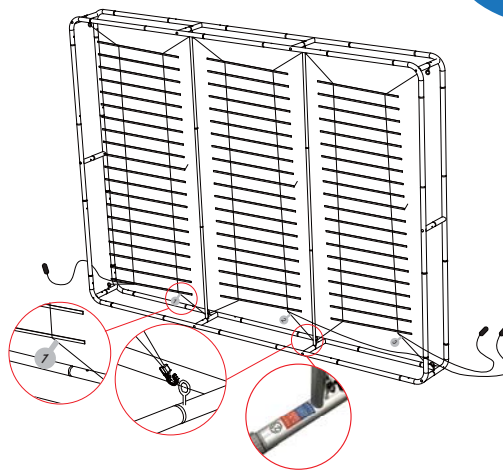
Install the four corner horizontal support tubes first.



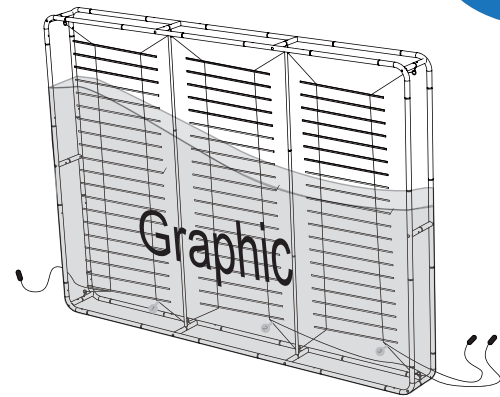
Install the rest of the horizontal support connectors



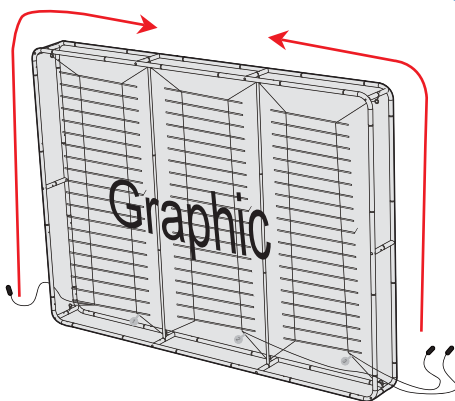
Install the vertical support tubes to finish the frame



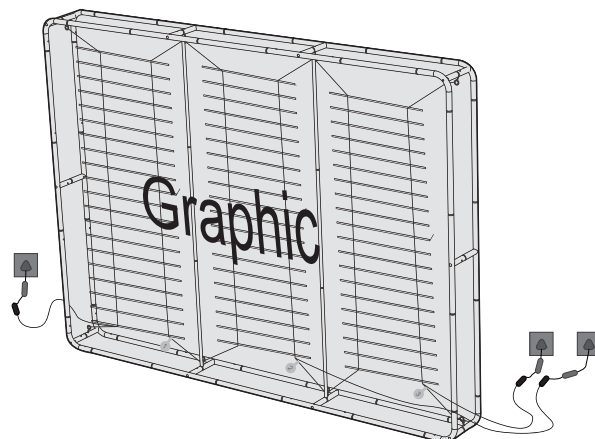
Hang the LED lights into the frame sequentially, paying attention to the direction of the LED panel (see page 1)



Pull the graphic onto the frame from the bottom up. For single-sided displays the lights should face AWAY from the image. (The power cords for the lights should be pulled out from the holes in graphic)



Zip the zipper all the way around the frame.



Connect power to finish.