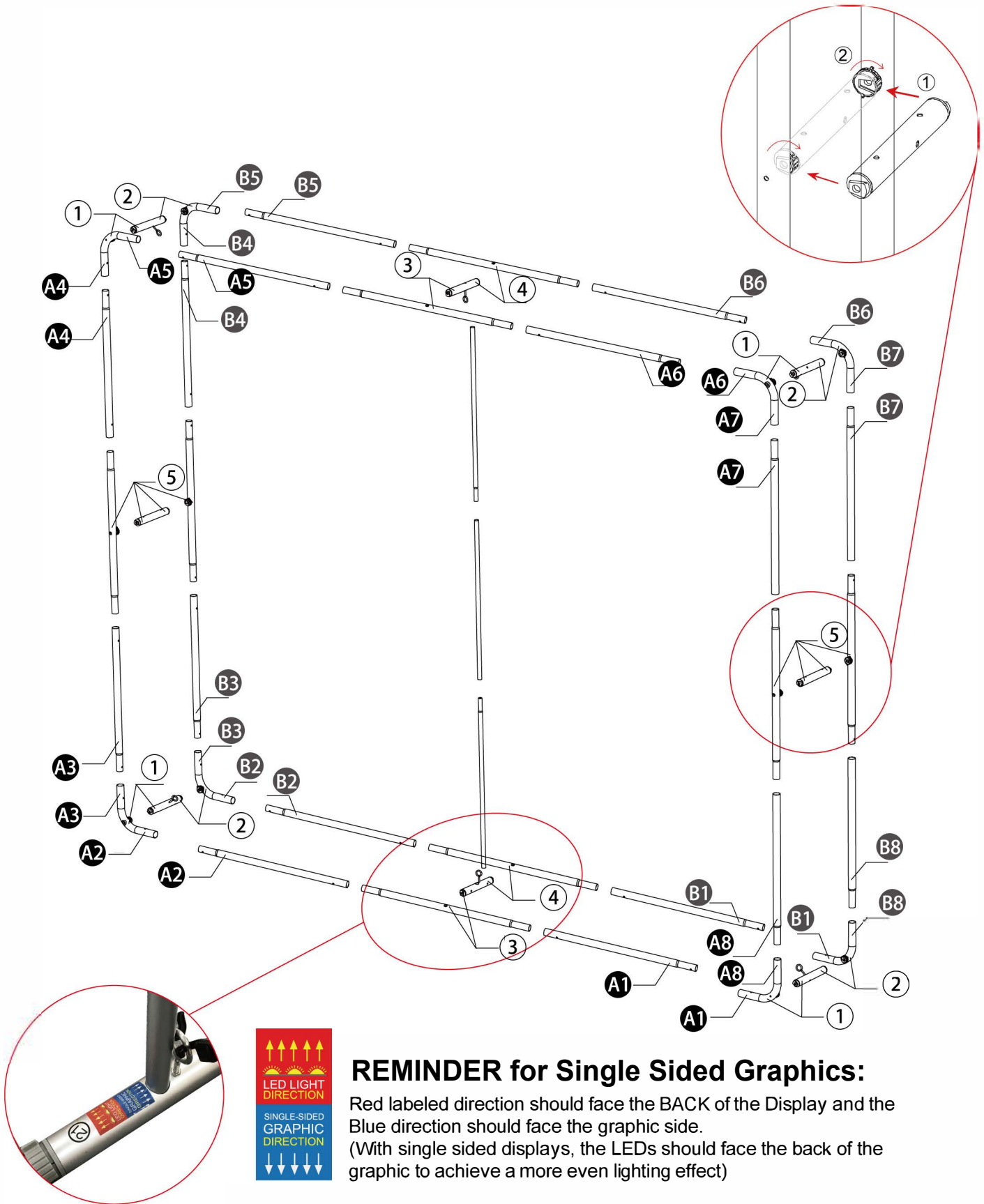


ASSEMBLY INSTRUCTIONS

8FT Dazzle Portable LED Light Box

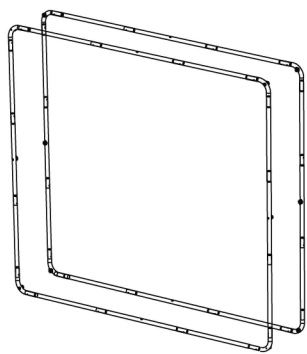


Switch on LED Panels Individually:

Please switch the LED panels on one at a time after assembly, this helps avoid a sudden electrical overload and potential damage to the LED panels.

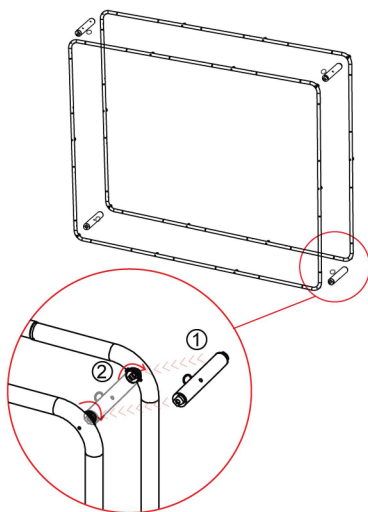
ASSEMBLY INSTRUCTIONS

8FT Dazzle Portable LED Light Box



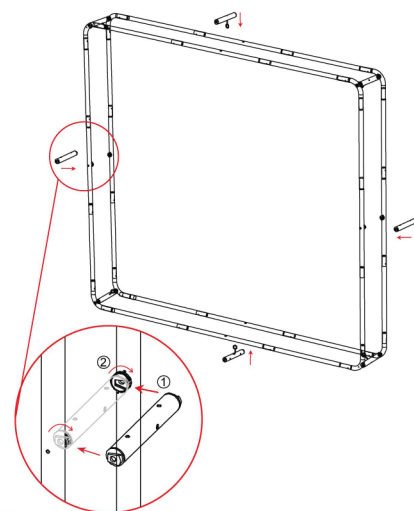
1

Put together the front and back large tube frames, as the picture shown, and prepare the center support tubes



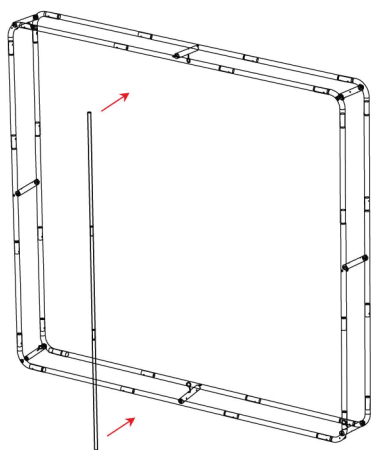
2

Install the four corner horizontal support tubes first.



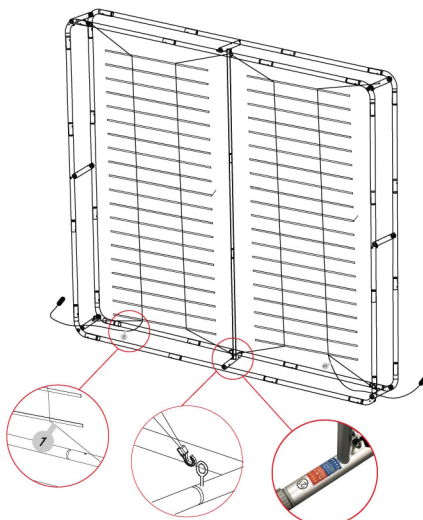
3

Install the rest of the horizontal support connectors



4

Install the center vertical support tube to finish the frame



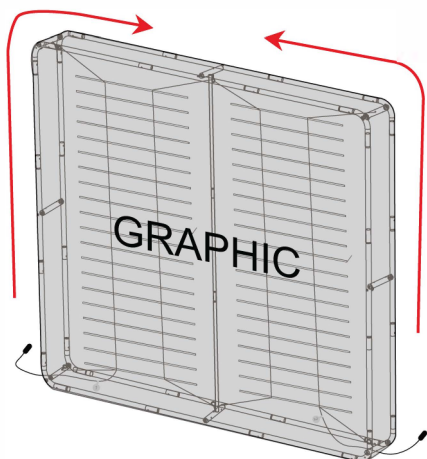
5

Hang the LED lights into the frame sequentially, paying attention to the direction of the LED panel (see page 1)



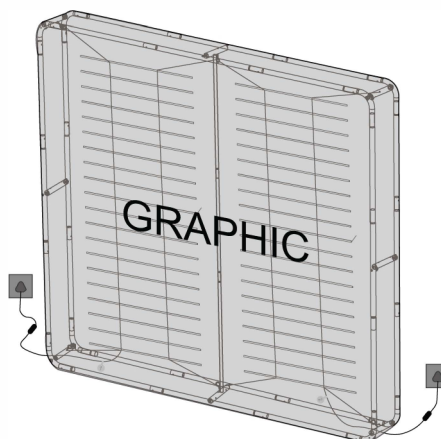
6

Pull the graphic onto the frame from the bottom up. For single-sided displays the lights should face AWAY from the image. (The power cords for the lights should be pulled out from the holes in graphic)



7

Zip the zipper all the way around the frame.



8

Connect power to finish.