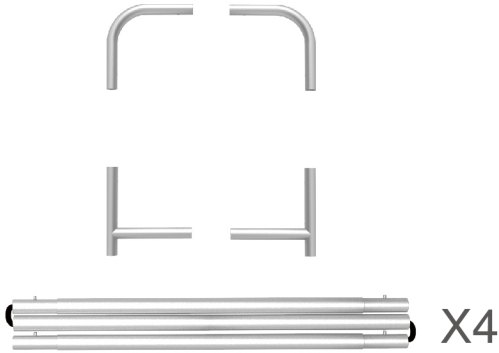


PARTS

(1) Hardware

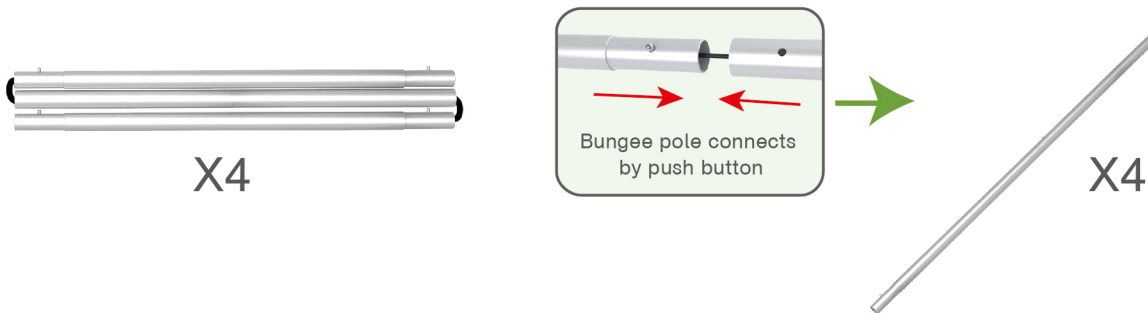


(2) Graphic printing fabric banner



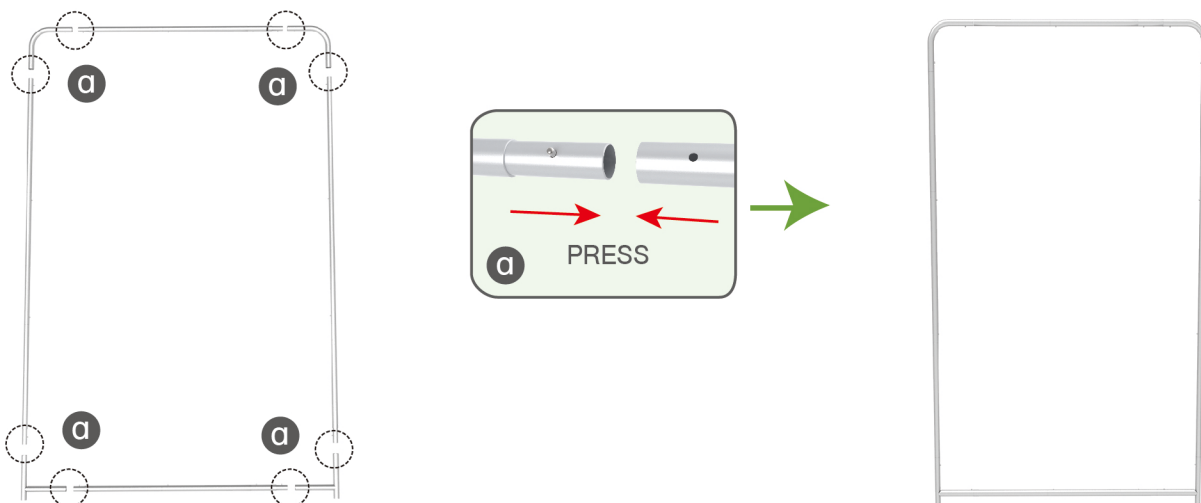
STEP 01

To connect the poles according to the labellings



STEP 02

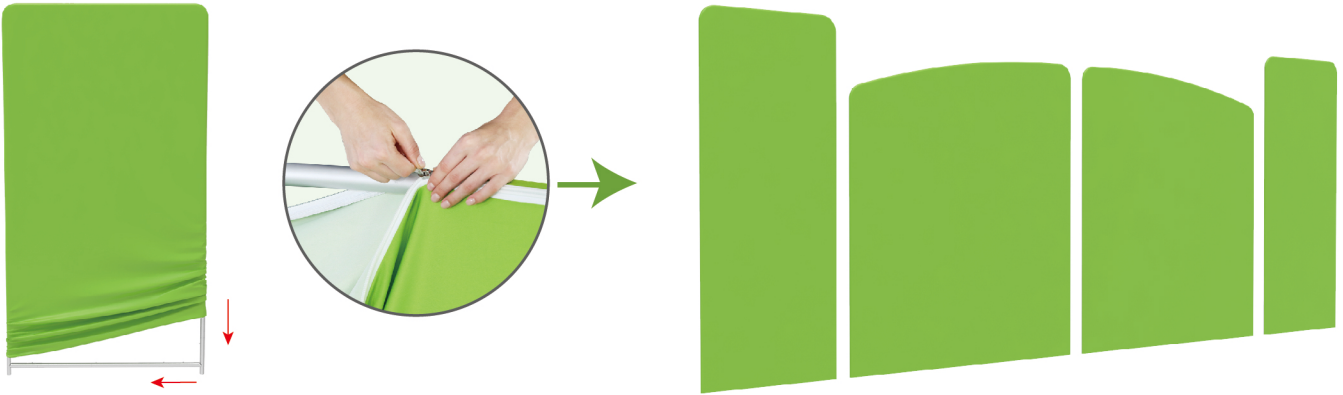
To connect the long poles by corner pieces according to labellings



PARTS

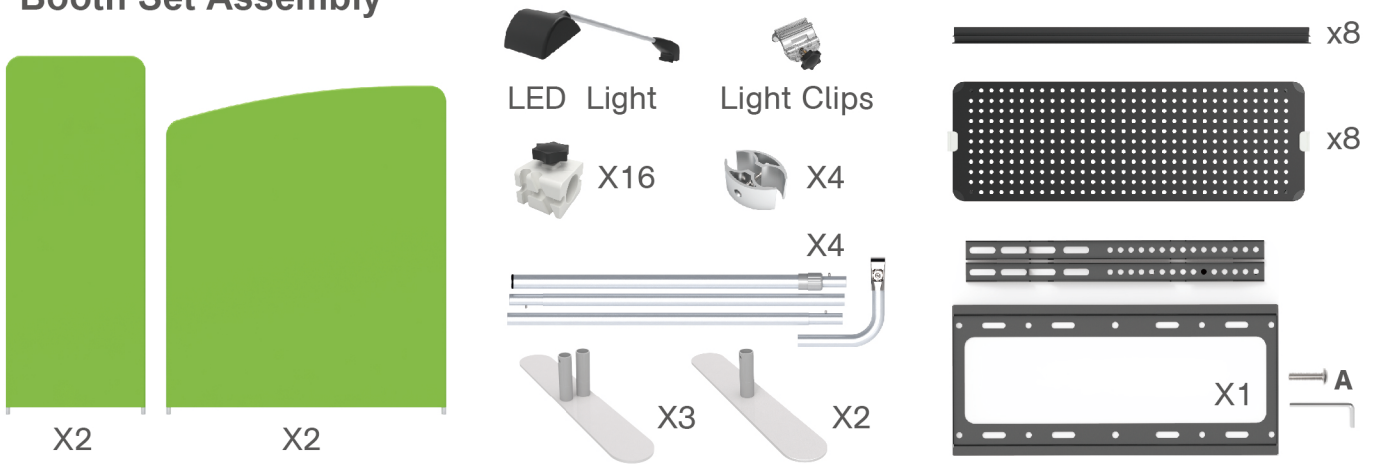
STEP 03

To slide the fabric banner on the frame from top and zip up at bottom



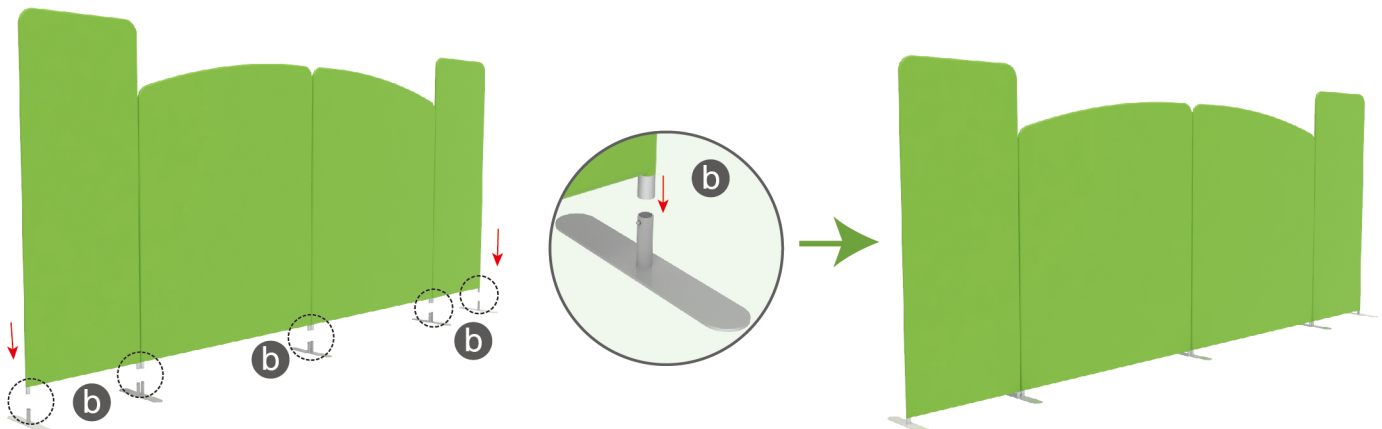
Same Steps for another Display Wall

Booth Set Assembly



STEP 01

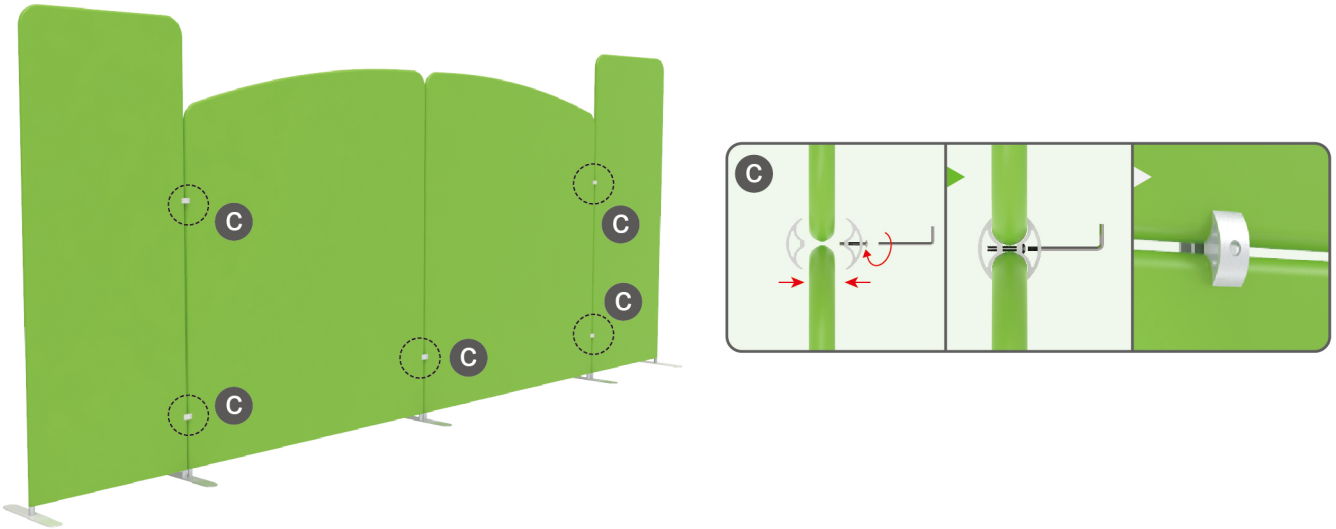
To assemble the stand feet in position



PARTS

STEP 02

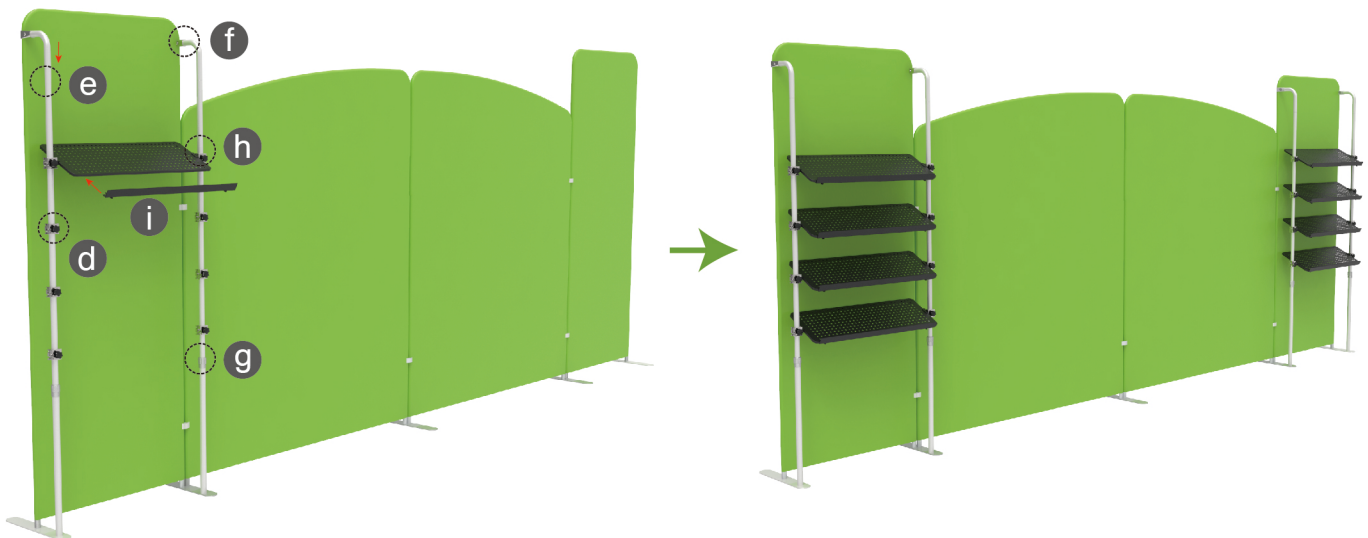
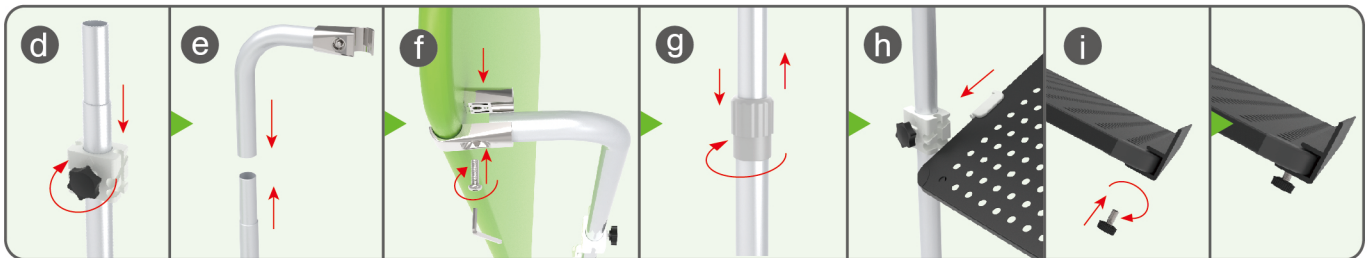
To put C clip in between the display walls and fasten for stands perfectly



STEP 03

To slide the shelves clips onto the poles and connect the pole to the curved pole head, afterwards loose the screw of clamp a bit then clip the complete pole to the top of backwall, eventually, install the pegboards in position and adjust the height of poles properly

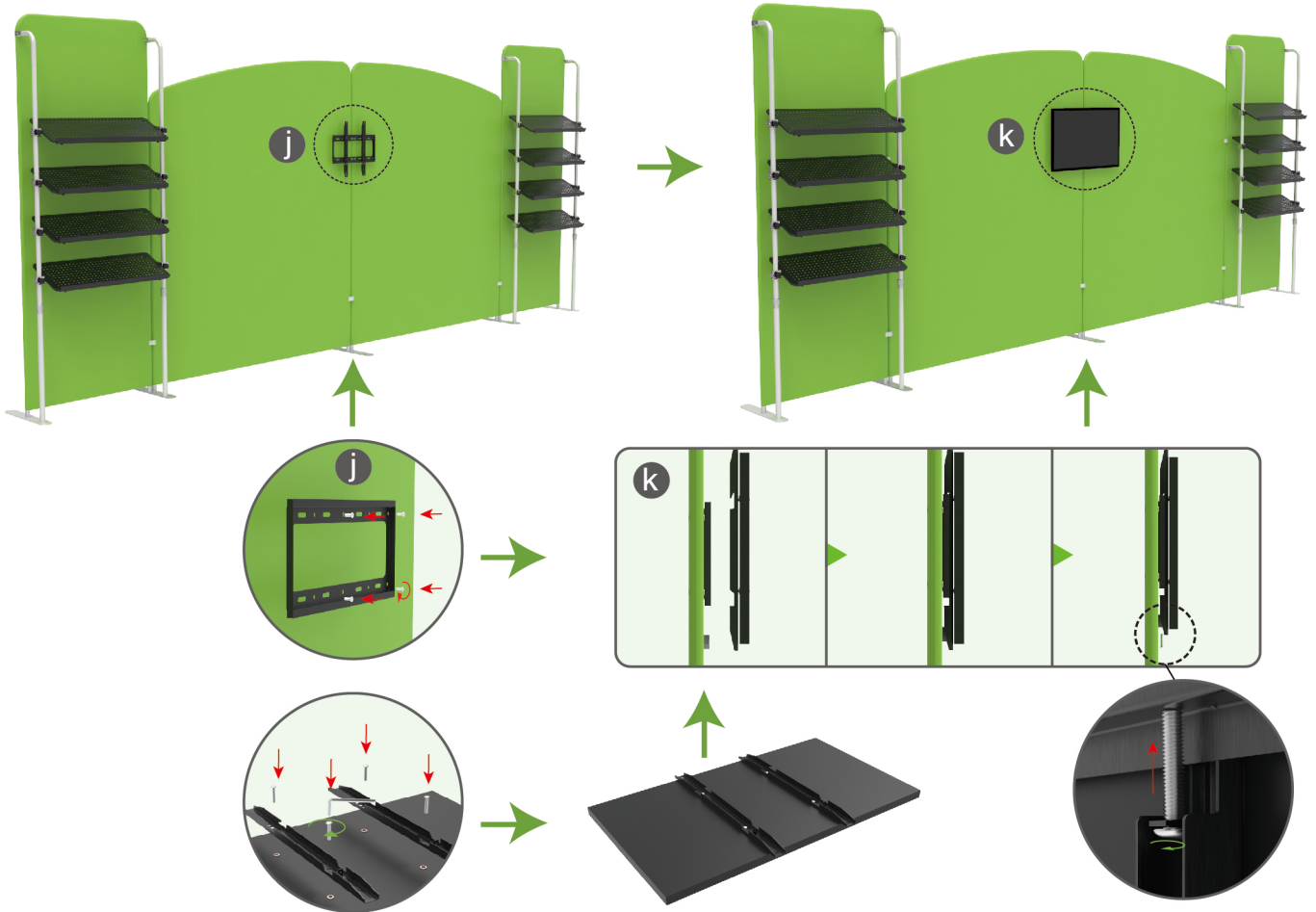
Refer to Shelves Kit manual for details



PARTS

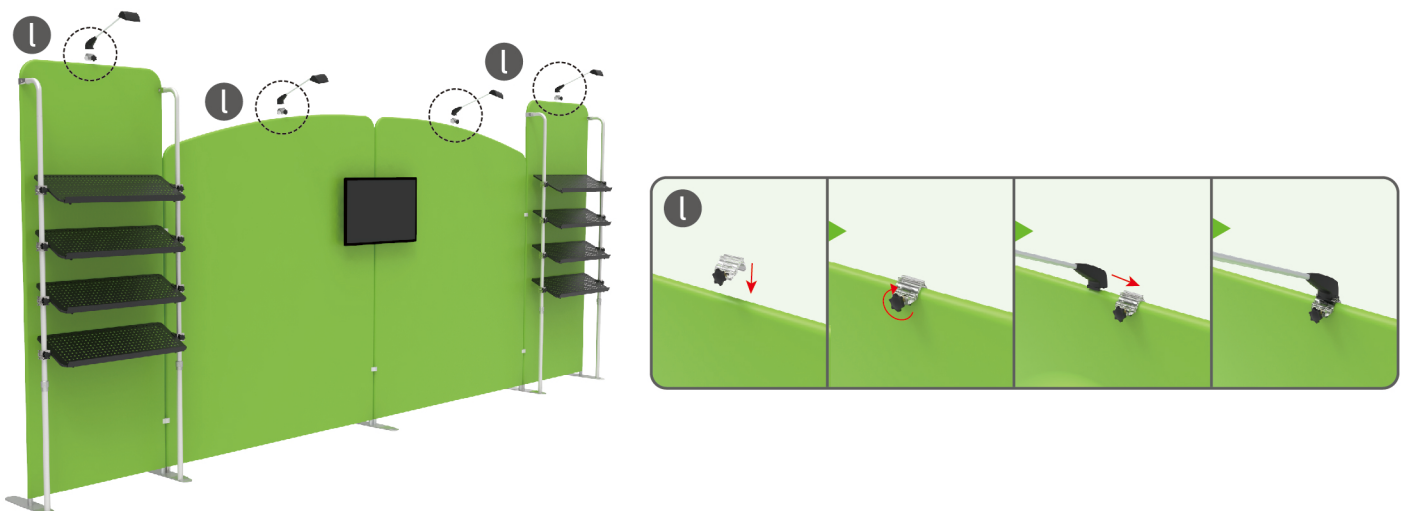
STEP 04

To install the TV mount in position



STEP 05

Install LED light



PARTS



10X20FT BOOTH 16