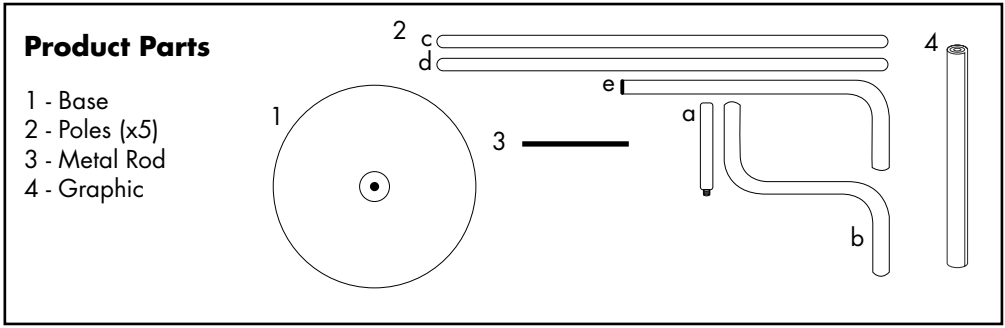


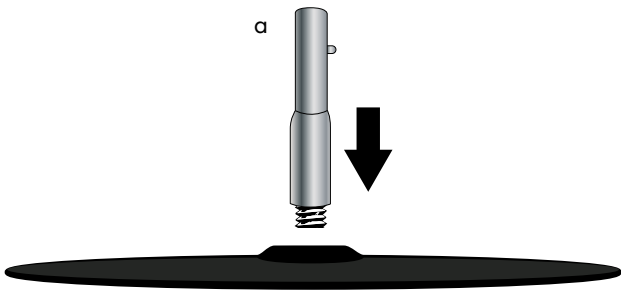
Monopode



Display Set-Up

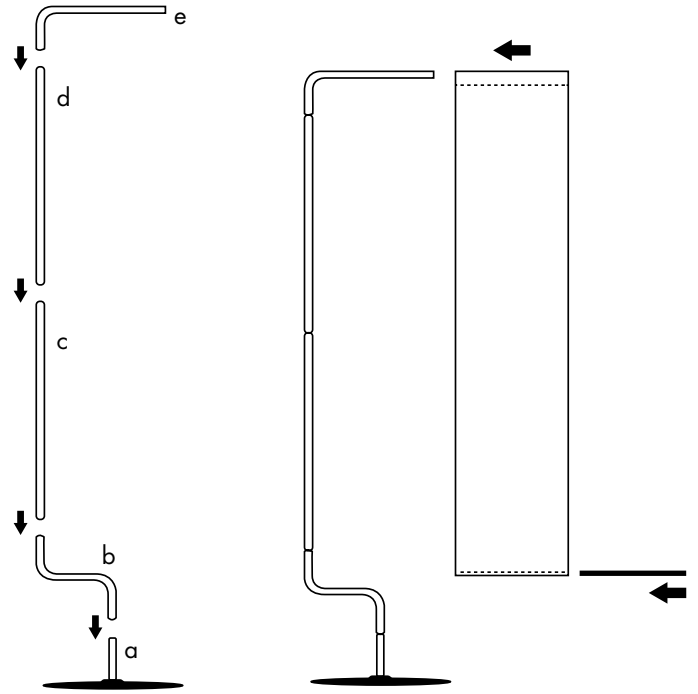
Step 1

Start by threading Pole (2a) through the middle of the Base (1). Hand tighten.



Step 2

Connect the remaining poles together in order (2b-e). Slide Graphic (4) over top pole (2e). Slide Metal Rod (3) into pocket at bottom of Graphic (4).



Storage

Place all product parts into carry cases and store in a cool dry location.



Care

To clean, wipe with damp cloth. Do not iron or dry clean.