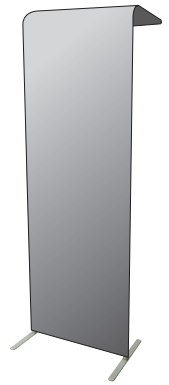
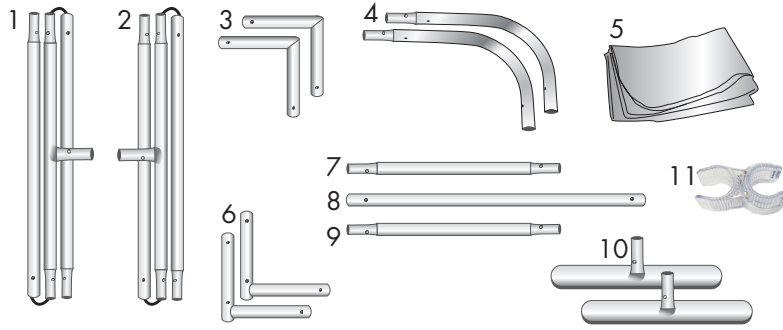


Eurofit Cascade

Product Parts

- 1 - 3pc Left Pole
- 2 - 3pc Right Pole
- 3 - 90° Top Back Corners (x2)
- 4 - Curved Top Front Poles (x2)
- 5 - Graphic
- 6 - 90° Bottom Corners
- 7 - Top Back Center Pole
- 8 - Horizontal Center Pole
- 9 - Bottom Center Pole
- 10 - Feet (x2)
- 11 - Plastic Hinge Connector



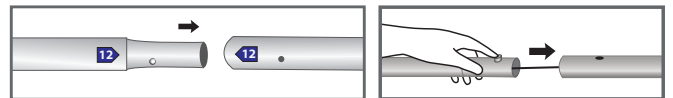
Display Set-Up

Step 1

Begin by removing all parts from the carry case and place on a clean, flat surface. Ensure you have all the components listed above.

Step 2

Assemble all the poles by connecting the corresponding numbers together while pressing the snap button as shown.



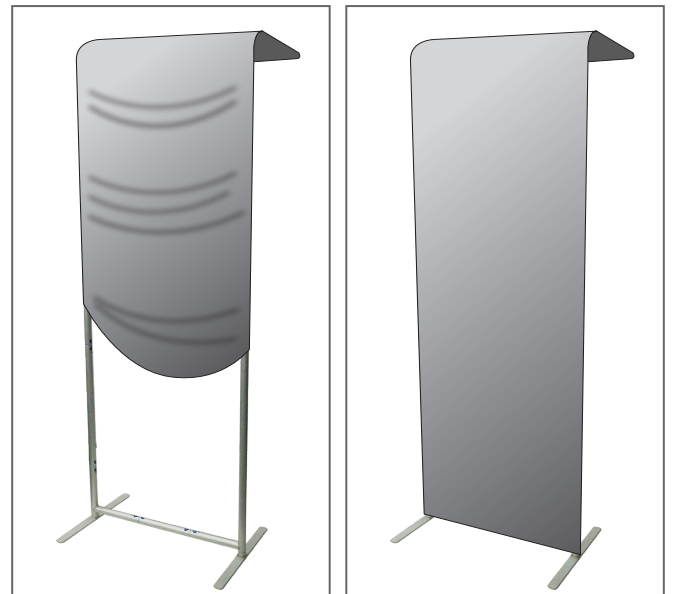
Step 3

Continue to connect the poles illustrated in the image to the right.



Step 4

Drape the Graphic (5) over the hardware until it reaches the feet (10).



Plastic Hinge Connector

Used to connect all Eurofit Displays with 1.25" Diameter Poles.



Storage & Care

Place all product parts into Carry Case and store in a cool dry location. Recommended for indoor use only. Machine wash on gentle cycle using mild detergent. Tumble Dry No Heat. Do NOT dry clean, Do NOT Iron.