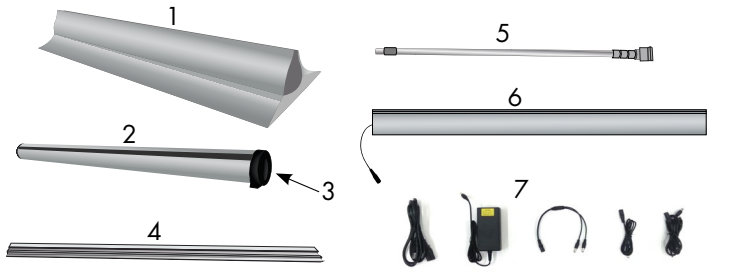


Lumos Retractable

Product Parts

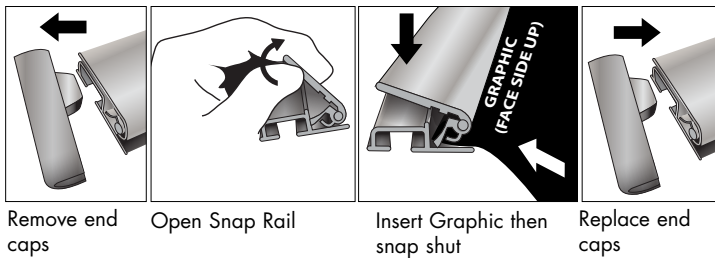
- 1 - Base
- 2 - Graphic Cartridge
- 3 - Tension Roller
- 4 - Snap Rail
- 5 - Telescoping Pole
- 6 - Top Light Rail
- 7 - Power Cords



Banner Install

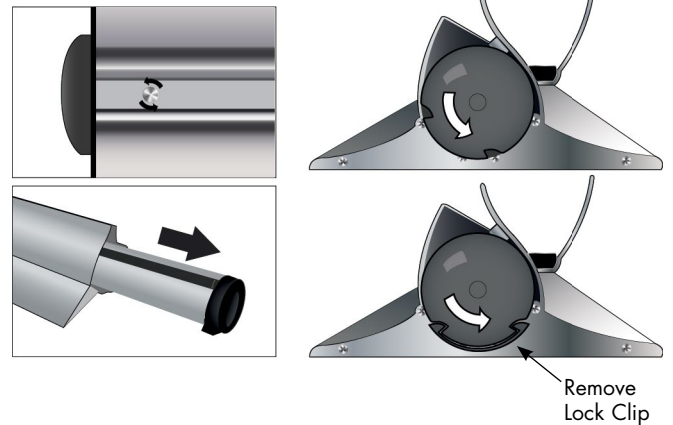
Step 1

Remove all parts from the bag and place on a clean flat surface. Remove both end caps from the Banner Snap Rail (4) and open it. Fully insert the top edge of the Graphic Banner into the groove of the Banner Snap Rail (4) and snap it shut. Replace end caps.



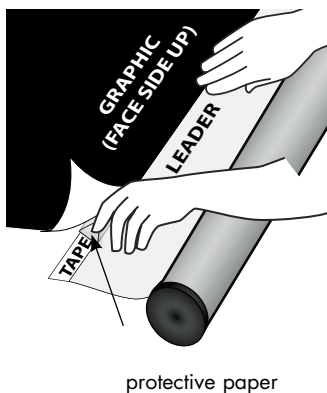
Step 2

To insert graphic into Graphic Cartridge (2) you must remove it from the Base (1). Make sure bottom set screws have been removed. Turn end cap counter-clockwise to unlock cartridge and remove lock clip. This will allow you to glide the cartridge out of the base.



Step 3

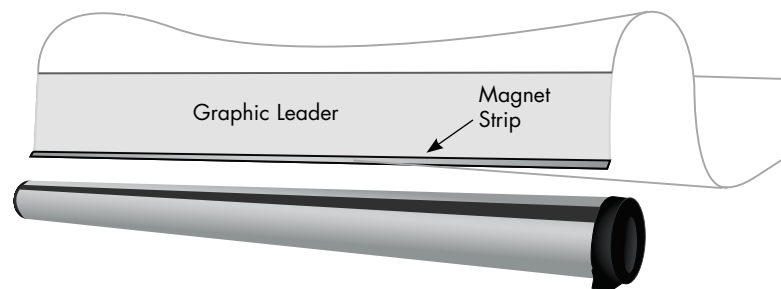
Align the Graphic Banner (printed side up) to the top of the tape leader from the Graphic Cartridge (2). Remove the strip of protective paper to expose the adhesive. Firmly and evenly press the Graphic Banner onto the adhesive moving up the edge as you pull away the strip of protective paper.



protective paper

Banner Install Tip

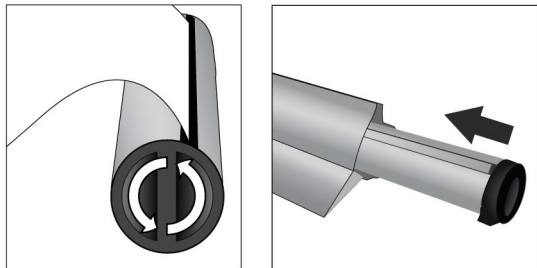
There is a magnet strip located at the bottom of your graphic leader as well as on the inside of the Graphic Cartridge (2). To remove your graphic from the cartridge, gently pull to release the magnet strip. To re-install, lower your graphic into the cartridge until the two magnet strips attract.



... continued

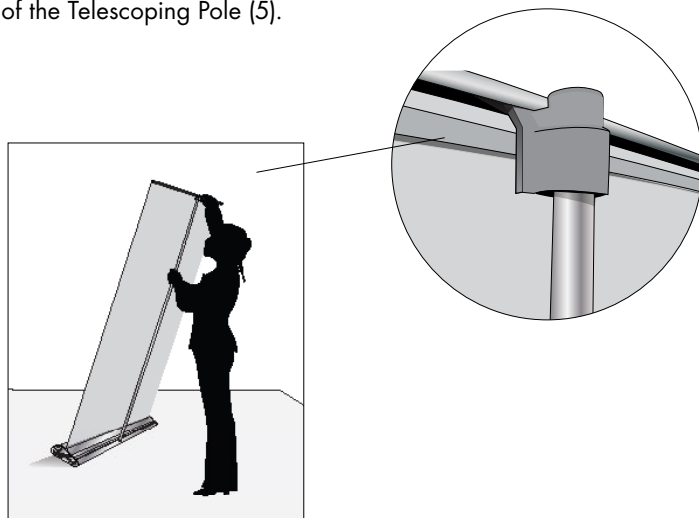
Step 4

Retract the graphic into the cartridge by turning Tension Roller (3) counter clockwise. You should hear a click after each slight turn. The graphic will slowly retract into the base after a couple rotations of the roller. Reverse Step 2 by gliding cartridge back into Base (1) and replacing bottom set screws.



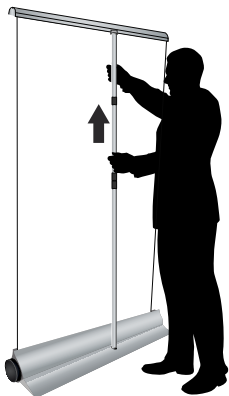
Step 2

Lift the Banner Snap Rail (4) up by grabbing each side of the rail with both hands. Raise graphic and attach the Banner Snap Rail (4) to the top of the Telescoping Pole (5).



Step 4

To raise graphic, unlock bottom lever on Telescoping Pole (5), raise pole, and relock lever. Repeat this step until you reach your desired height.



CAUTION
Please remove Top Light Rail before lowering pole for disassembly.

Display Set-Up

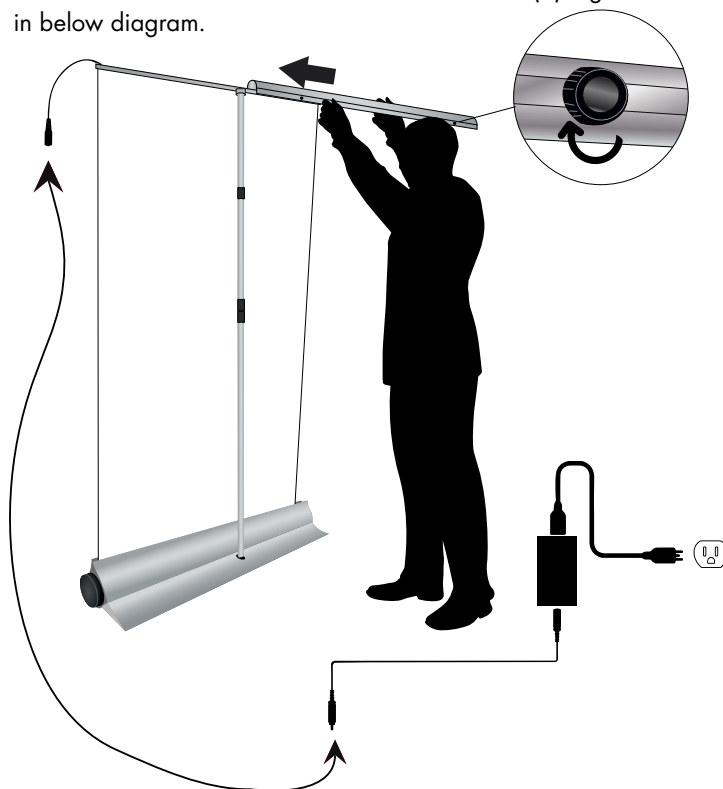
Step 1

With Base Unit (1) placed at your desired location, insert Telescoping Pole (5) into hole slot on the back of the base. Once Pole is inserted, give it a quarter turn to lock it into place.



Step 3

Slide Light Rail (6) over the top of the Banner Snap Rail (4) and tighten thumb screws on the back. Connect Power Cords (7) together as seen in below diagram.



Storage and Care

Place all product parts into Soft Carry Case and store in a cool dry location.

