

Instructions For:

Premium Spring Arm Boulevard Bracket System (Step by Step)

Product Specifications

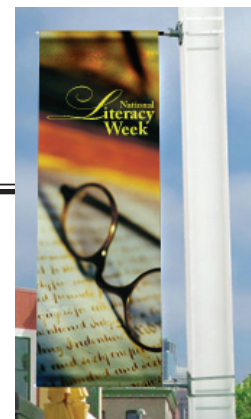
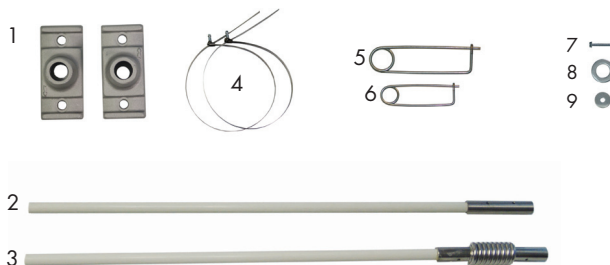
Graphic sizes will vary - **Do not exceed 24 Square Feet**

Requirements: 2" Top and Bottom Pole Pockets with #2 Grommets

Product Parts

- 1 - Spring Castings
- 2 - Premium Fiberglass Arm
- 3 - Spring Fiberglass Arm
- 4 - 40" Stainless Steel Bands (x4)
- 5 - Large Pin (x2)
- 6 - Small Pin (x2)
- 7 - Screws (x4)
- 8 - Large Washer
- 9 - Small Washer (x4)

***Screw/nut driver & drill will be needed**



Step 1

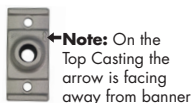
Take out all parts.

Step 2

Attach top Casting (1) to pole. Be sure the arrow is facing up - away from the banner.

Place a Screw (7) with a Small Washer (9) in the top hole and drill into place. Depending on the kind of pole - you may need to pre-drill the holes.

Repeat Step 2 with the hole on the bottom of the Casting (1).



Step 3

Secure the Casting (1) to the Pole with two Stainless Steel bands (4). Tighten the bands until they hold the bracket securely and lock it into place with a screwdriver or nut driver. Clip off any excess band length.



Step 4

Insert the end of the Premium Fiberglass Arm (2) into the Casting (1) **Image A**. Line up the holes in the arm to the holes on the side of the Casting and secure by inserting the Small Pin (6) **Image B**.

Before closing the Small Pin (6) attach the Large Pin (5) onto the Small Pin (6) as shown in **Image C**.



***Pin should clip below casting**

Step 5

Slide Large Washer (8) onto the Premium Fiberglass Arm (2). This will keep your banner from sliding up the arm.

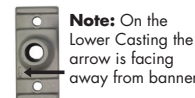


Step 6

Measure your banner for correct placement of the lower Casting (1) so it fits your boulevard banner properly.

Repeat Step 2 & 3 to attach the Lower Casting (1).

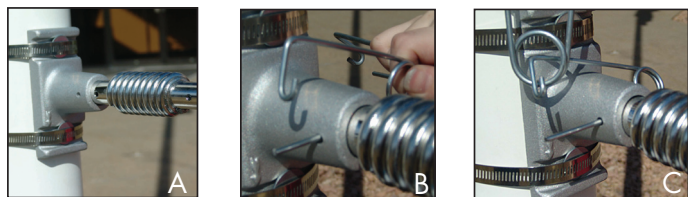
Be sure the arrow is facing down - away from the banner.



Step 7

Insert the end of the Spring Arm (3) into the lower Casting (1) **Image A**. Line up the holes in the arm to the holes on the side of the Casting and secure by inserting the Small Pin (6) **Image B**.

Before closing the Small Pin (6) attach the Large Pin (5) onto the Small Pin (6) as shown in **Image C**.



***Pin should clip above casting**

Step 8

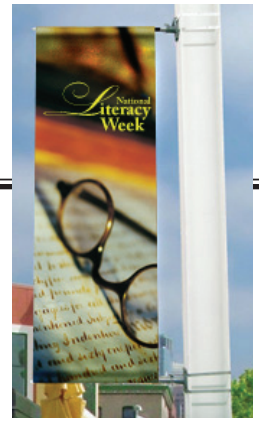
Slide the top pole pocket of the banner onto the Premium Arm (2) and secure by pinning the Large Pin (5) into the grommet on the banner **Image A**.

Bend the Spring Arm (3) up to easily slide the lower pole pocket onto the arm **Image B**. Secure by pinning the Large Pin (5) into the grommet on the banner **Image C**.

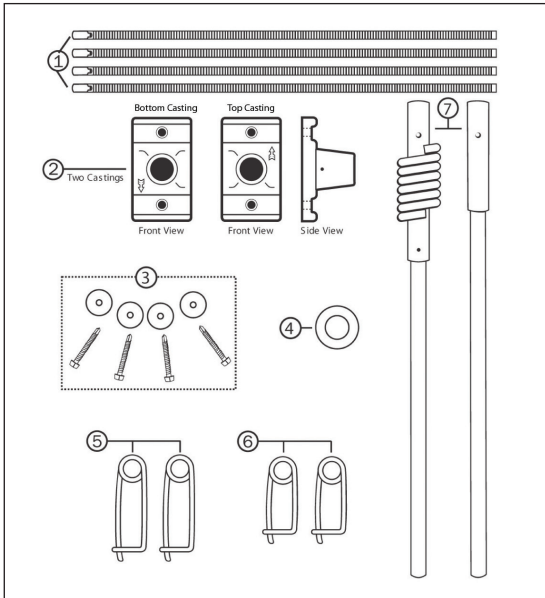


Instructions For:

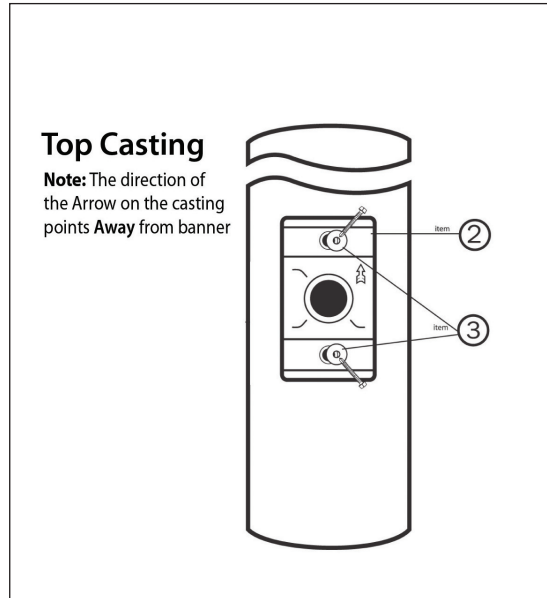
Premium Spring Arm Boulevard Bracket System (Instructional Diagrams)



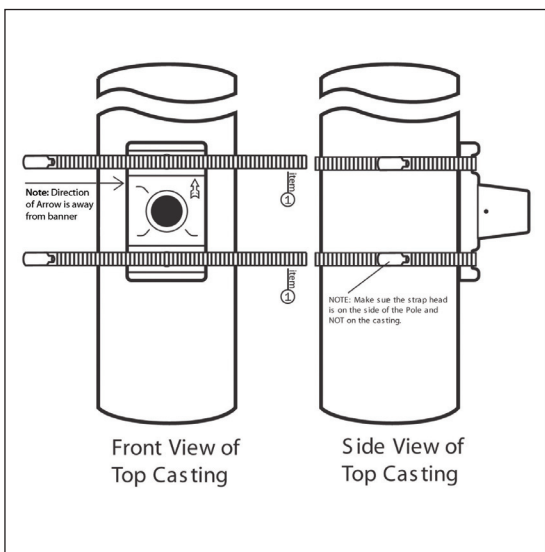
Parts



Step 1



Step 2



Step 3

