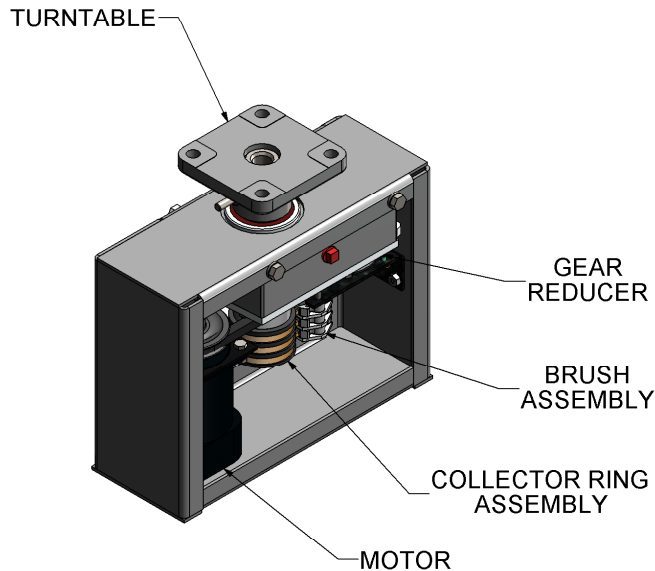
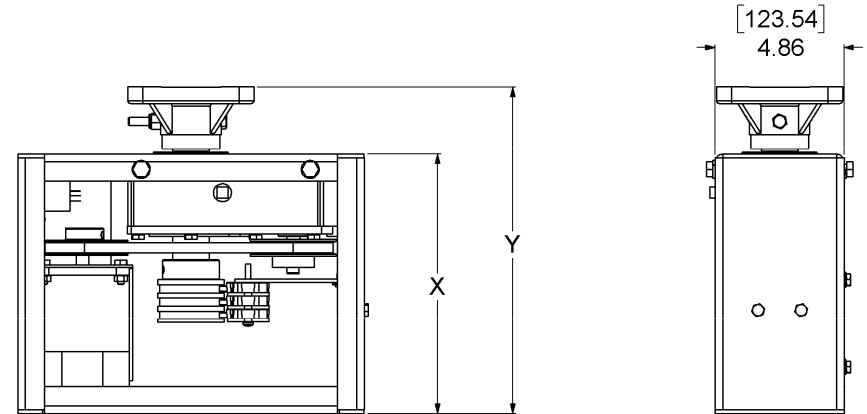
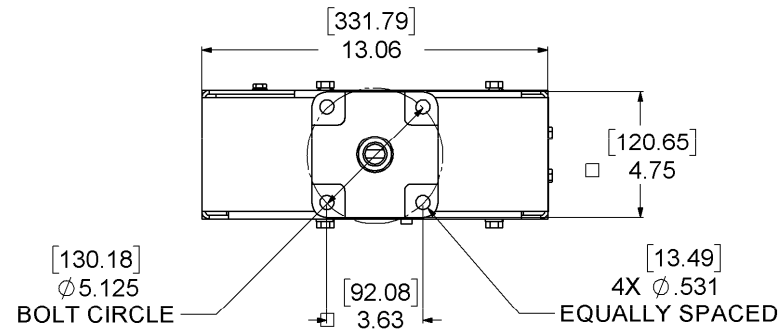




H-20 with Turntable

Part Number 134010 321

- Hanging Weight Capacity.....500 lbs [226.8 Kg]
- Compressive Weight Capacity....400 lbs [181.4 Kg]
- Max. Display Size..... Contact Dynapac
- Standard RPM.....2
- Torque Output @ 2 RPM.....192 in-lbs [21.7 Nm]
- Motor Draw.....1.1 A (127 watts)
- Safety Clutch.....Standard Feature
- Collector Ring Capacity.....15 A at 115 V
- Shipping Weight.....31 lbs [14Kg]



	X	Y
STANDARD FRAME (6 RING)	9.77" [248.16mm]	12.25" [311.21mm]
8 RING FRAME	10.77" [273.56mm]	13.25" [336.60mm]
12 RING FRAME	13.02" [330.71mm]	15.5" [393.70mm]

Dynapac Rotating Company, Inc.
 338 Hansen Ave., Salt Lake City, UT 84115
 Phone: 801-485-2221 • Fax: 801-485-2254
 email: info@dynapacrotating.com • www.dynapacrotating.com