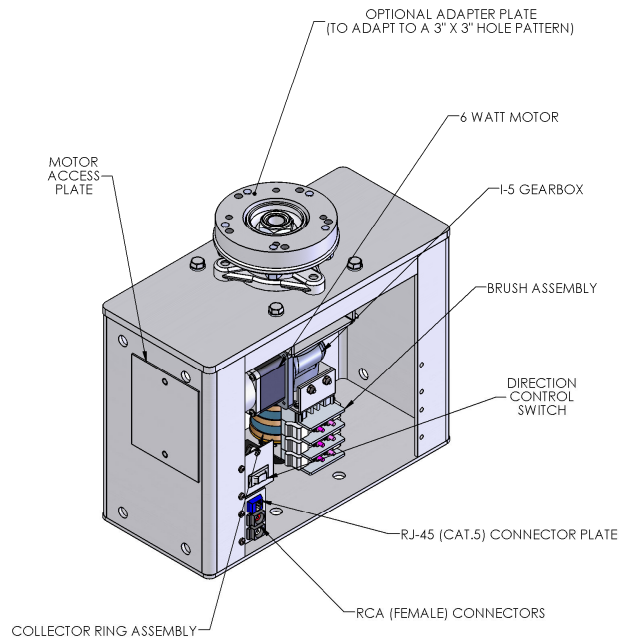
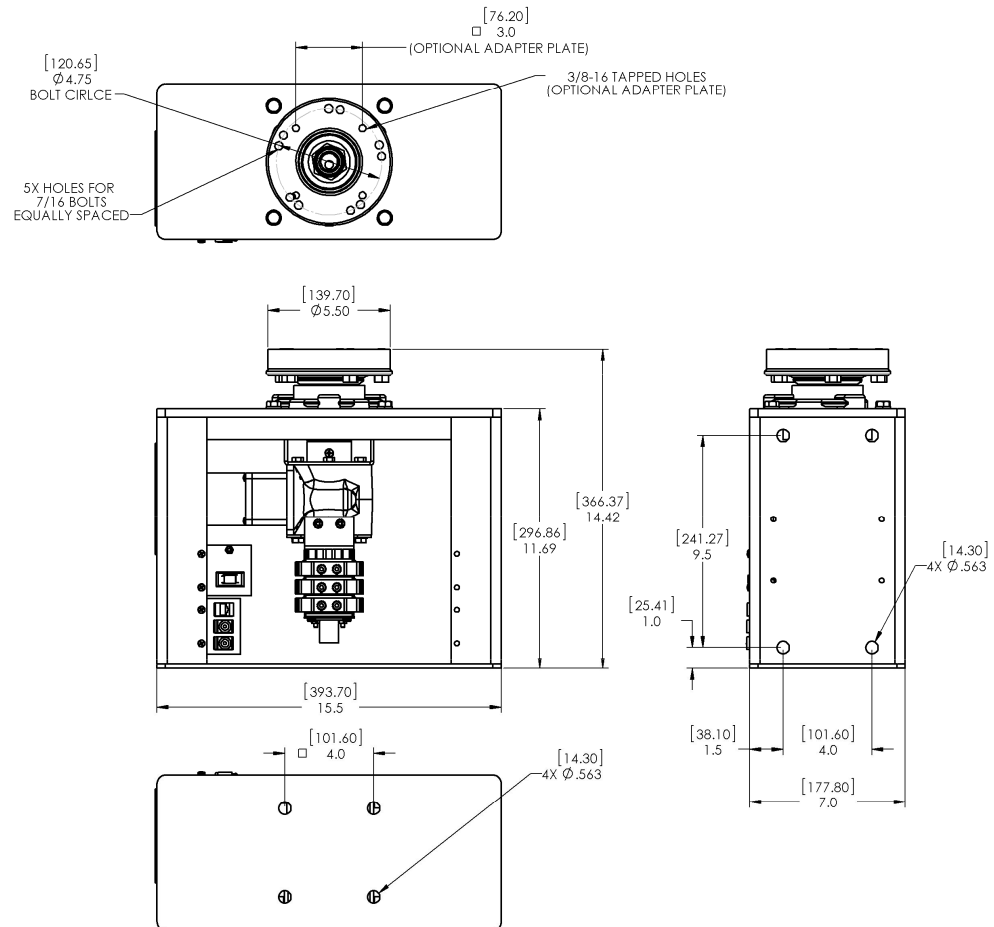




IV-700 Video Signal - VGA

Part Number: 153050 F21IV 6W

- Hanging Weight Capacity.....500 lbs [226.8 Kg]
- Compressive Weight Capacity.....700 lbs [317.5 Kg]
- Max. Display Size.....Contact Dynapac
- Standard RPM.....2
- Torque Output @ 2 RPM.....95 in-lbs [9.5 Nm]
- Motor Draw.....0.18A (22 watts)
- Safety Clutch.....Standard Feature
- Collector Ring Capacity.....12 wires at 2A
3 wires at 15A



Dynapac Rotating Company, Inc.
 338 Hansen Ave., Salt Lake City, UT 84115
 Phone: 801-485-2221 • Fax: 801-485-2254
 email: info@dynapacrotating.com • www.dynapacrotating.com