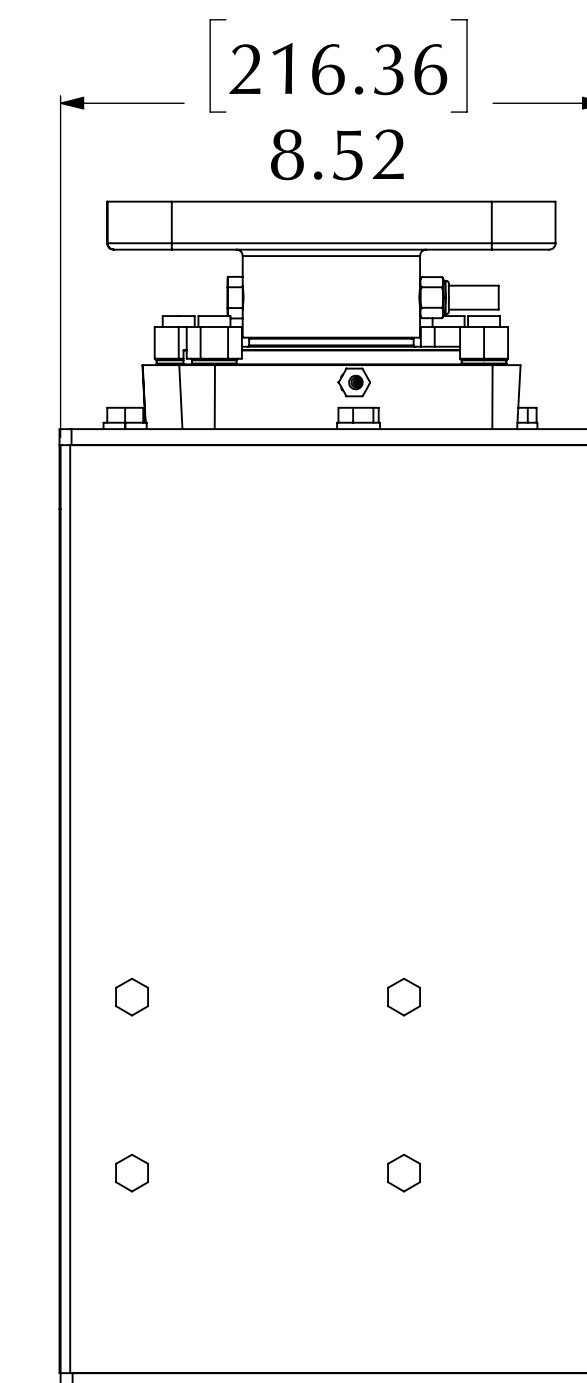
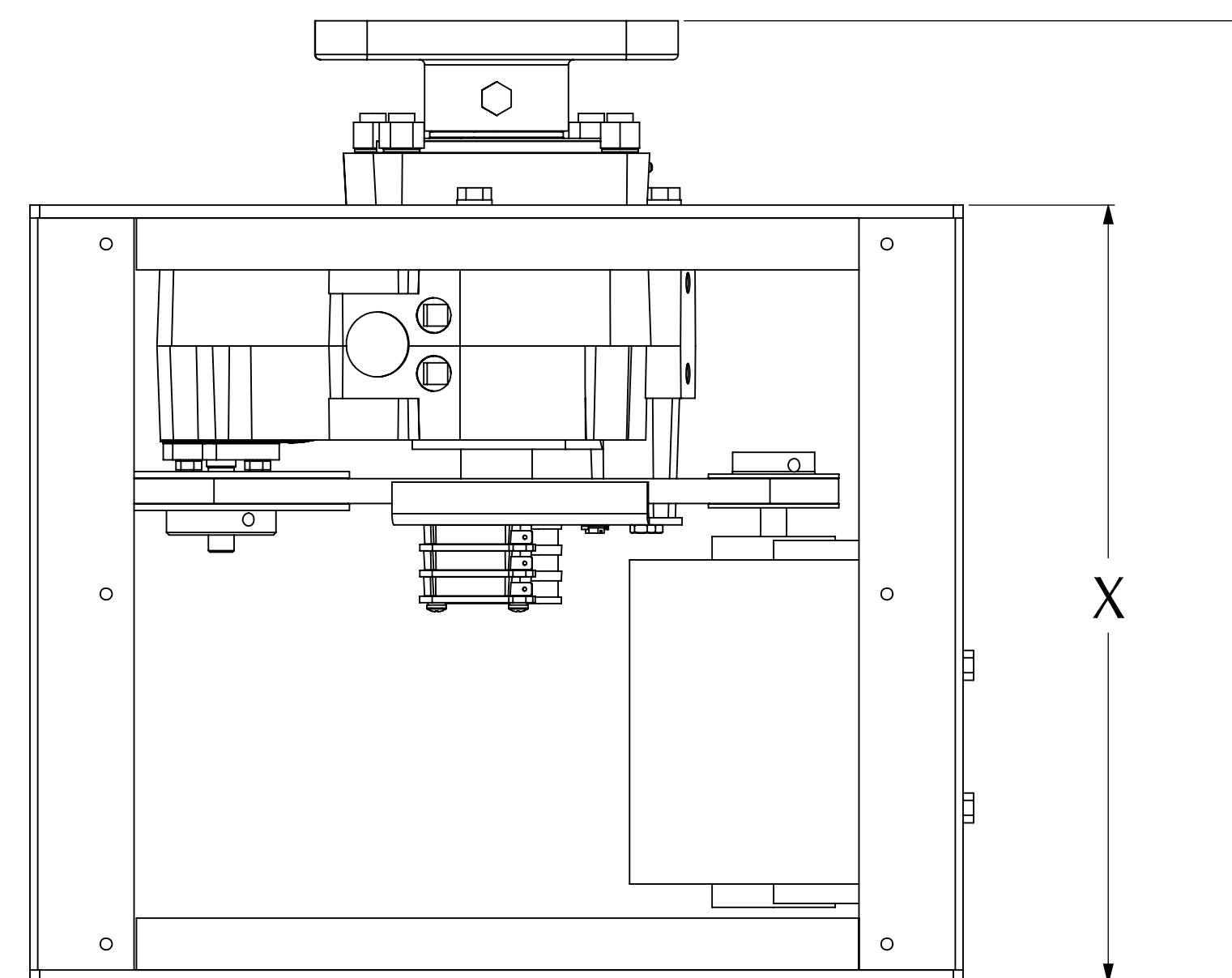
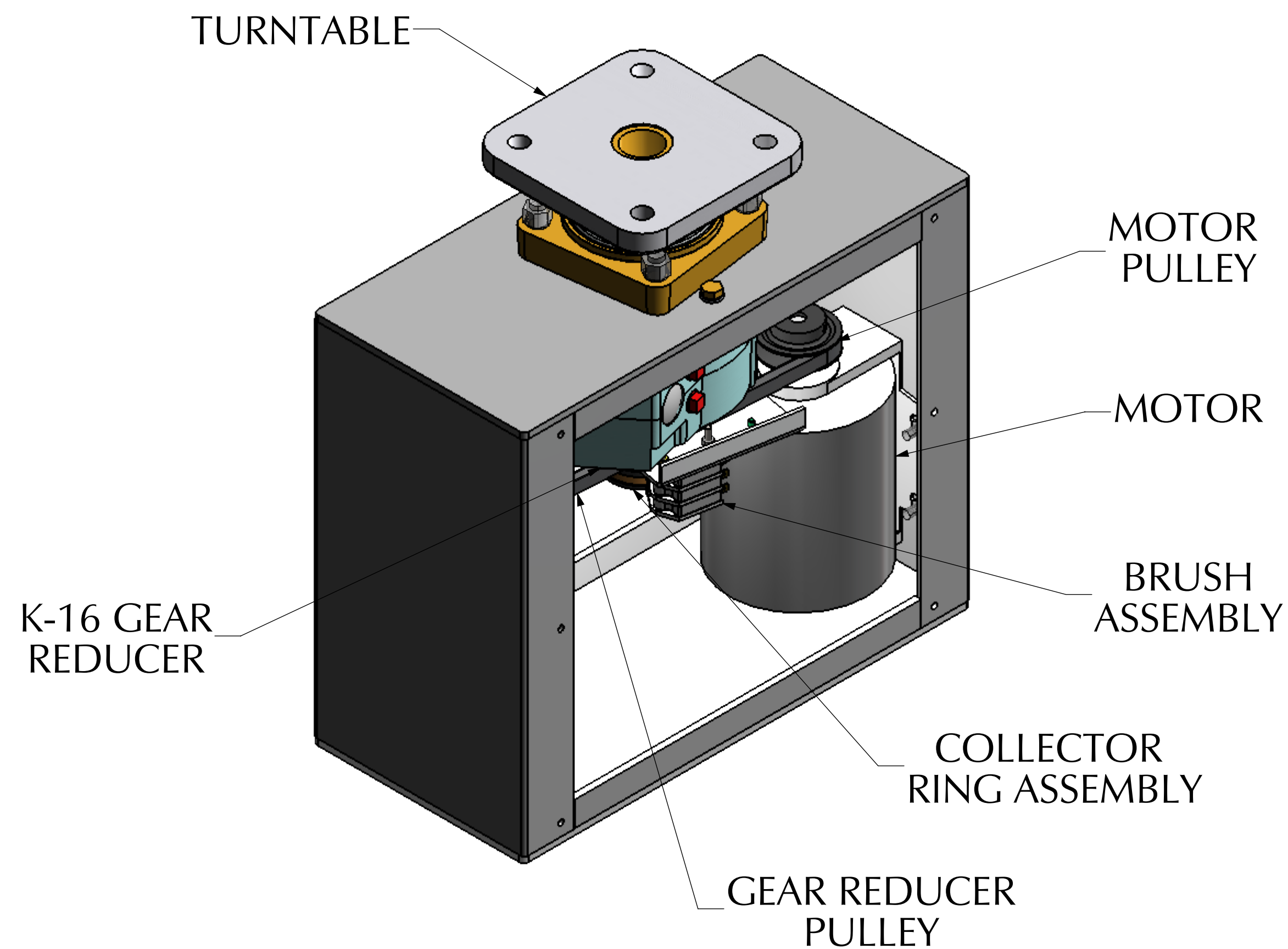
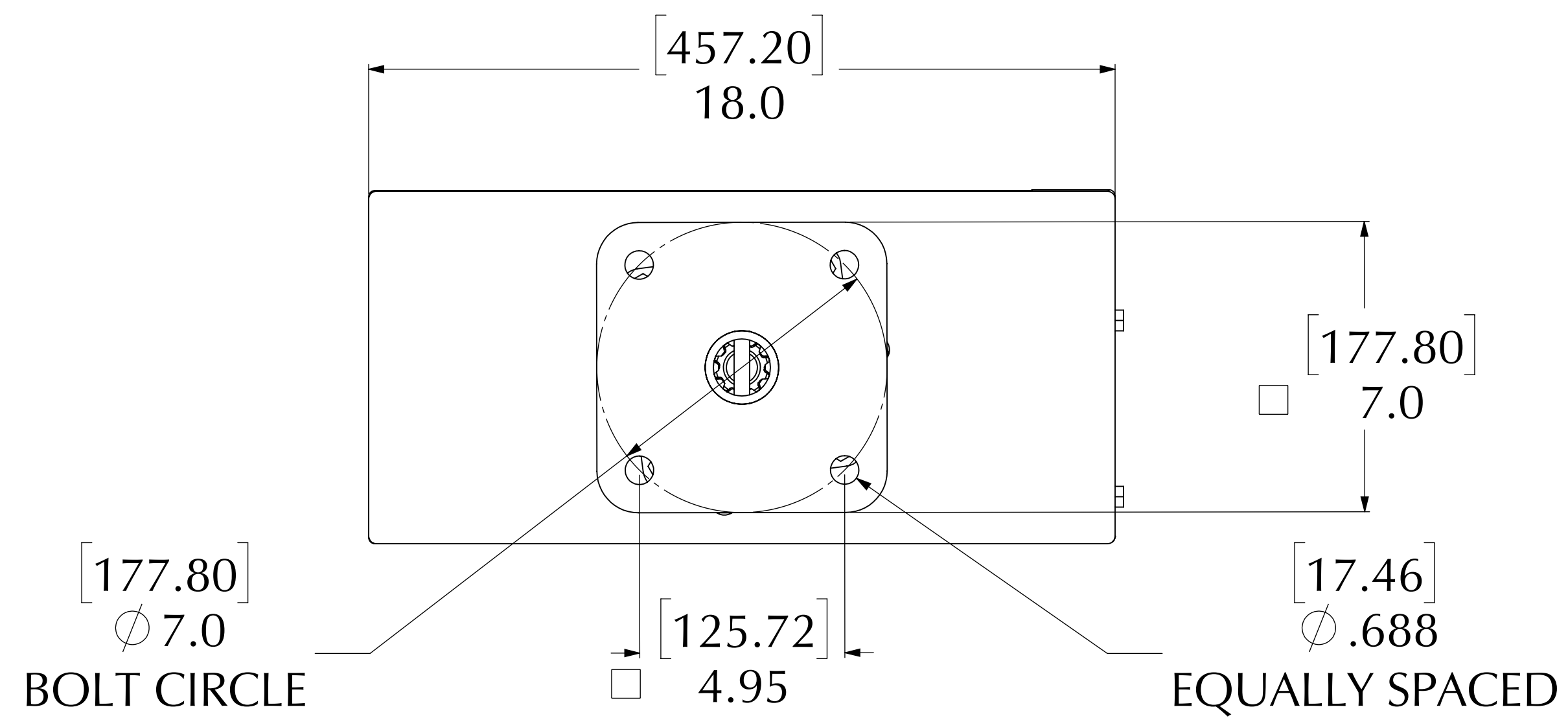




K-36

Part Number: 135007 361

Hanging Weight Capacity.....720 lbs [326.6 kg]
 Compressive Weight Capacity.....720 lbs [326.6 kg]
 Max Display Size.....Contact Dynapac
 Standard RPM.....6
 Torque Output @ 6 RPM.....150 ft-lbs [203.4 Nm]
 Motor Draw.....6A (720 watts)
 Safety Clutch.....Standard Feature
 Collector Ring Capacity.....15A at 115 V
 Shipping Weight.....205 lbs [93 kg]



	X	Y
STANDARD FRAME	15.0" [381mm]	18.56" [471.30mm]
EXTENDED FRAME	21.0" [533.40mm]	24.56" [623.70mm]

NOTE: MAX COLLECTOR RINGS ON STANDARD UNIT IS 14.

Dynapac Rotating Company Inc.
 338 Hansen Ave., Salt Lake City, UT 84115
 Phone: 801-485-2221 • Fax: 801-485-2254
 email: info@dynapacrotating.com • www.dynapacrotating.com