

Formulate Designer Series 20' Backwall - Kit 11

FMLT-DS-20-11

Formulate® Designer Series 20ft displays have unique stylistic features and shapes, are portable and easy to assemble. The aluminum tube frame features snap-buttons and/ or spigot connections and zipper pillowcase fabric graphics. All displays come in portable, wheeled transit cases. Simply pull the pillowcase fabric graphic(s) over the frame and zip.



features and benefits:

- Premium aluminum tube frames with snap button / spigot assembly
- Easy to store and ship
- Quick to set up
- Weighted feet for added stability
- Zipper pillowcase fabric graphic
- Kit includes: medium monitor mount, can hold 32-55" monitor/ max weight 40lbs, and four literature holders
- Lifetime limited hardware warranty against manufacturer defects

dimensions:

Hardware

Graphic

Assembled unit:
229.86" w x 94.18" h x 47.34" d
5839mm(w) x 2393mm(h) x 1203mm(d)

Refer to related graphic template for more information.

Approximate weight with cases:
203 lbs / 92.1 kgs

Visit:
www.exhibitors-handbook.com/graphic-templates

Shipping

Packing case(s):
3 OCE Cases

Shipping dimensions:
OCE: Expandable case length (l) may vary
40" - 66" l x 18" h x 18" d
1016mm-1677mm(l) x 458mm(h) x 458mm(d)

Approximate total shipping weight
(includes cases & graphics):
235 lbs / 106.6 kgs

additional information:

Graphic material:
dye-sublimation zipper pillowcase fabric

We are continually improving and modifying our product range and reserve the right to vary the specifications without prior notice. All dimensions and weights quoted are approximate and we accept no responsibility for variance. E&OE. See Graphic Templates for graphic bleed specifications.

Included In Your Kit

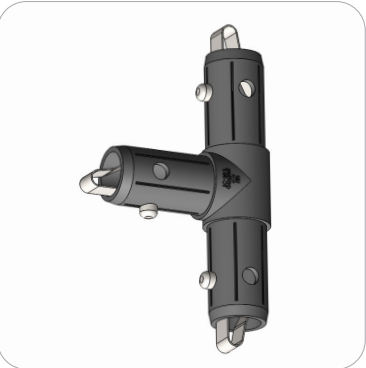
Tools, Components, & Connectors



HEX KEY SET x1



TC-30-A-TC-30-B-ASY x2



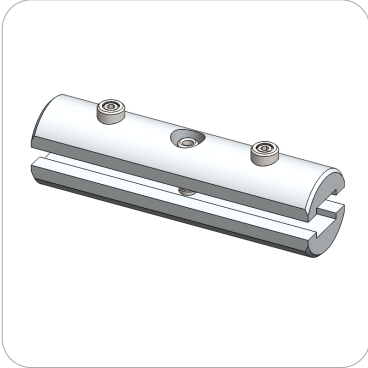
TC-30-T x7



TC-30-90-T x4



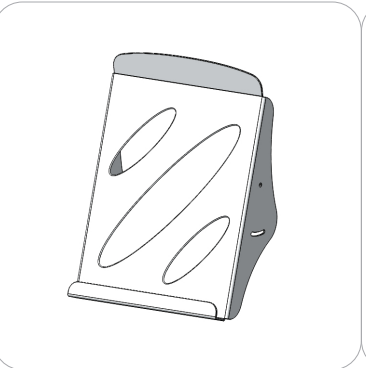
TC-30-X x1



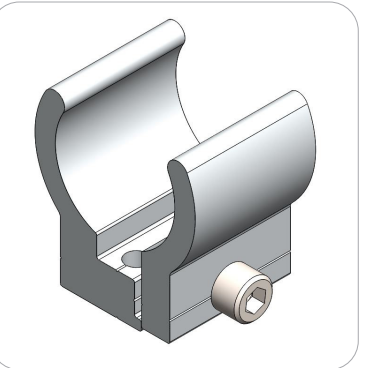
ES30 x6



ES50-1 x16

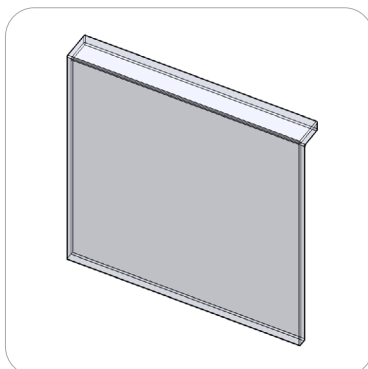


LN112 x4

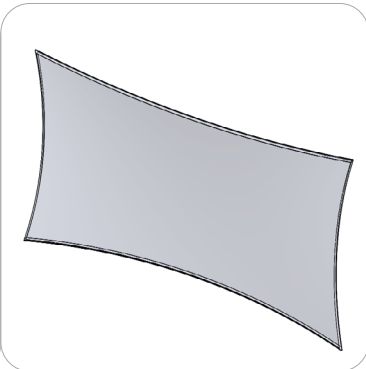


TC-30-C x4

Graphics



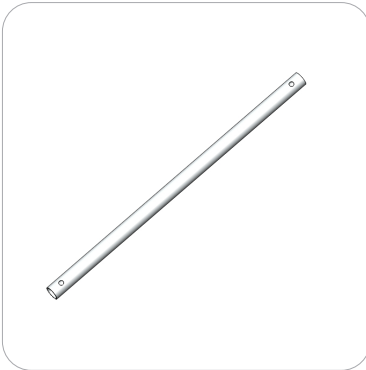
FMLT-DS-20-11-A-G



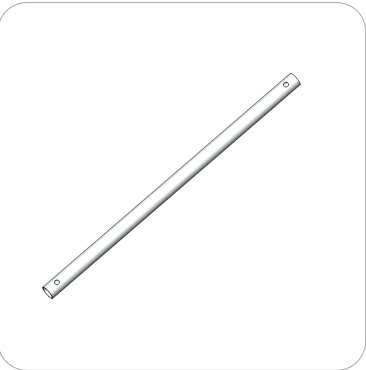
FMLT-DS-20-11-B-G

Included In Your Kit

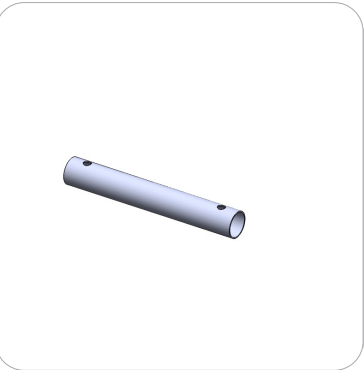
Tubes



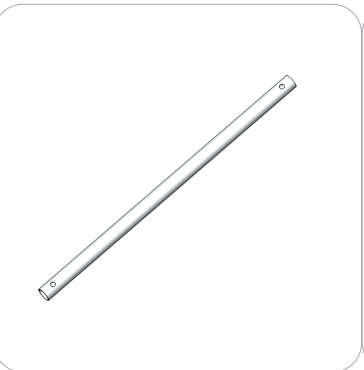
DS-20-11-A-T1 x4



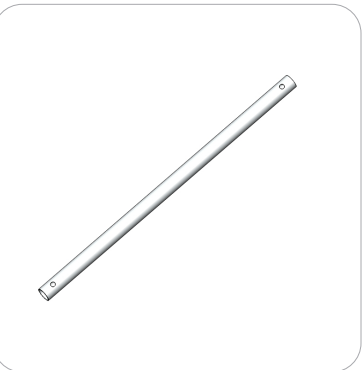
DS-20-11-A-T2 x6



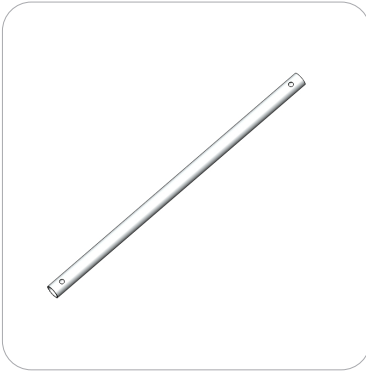
DS-20-11-A-T3 x2



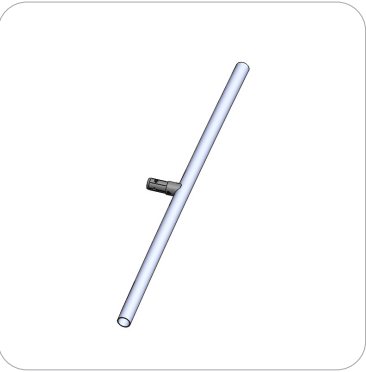
DS-20-11-A-T4 x2



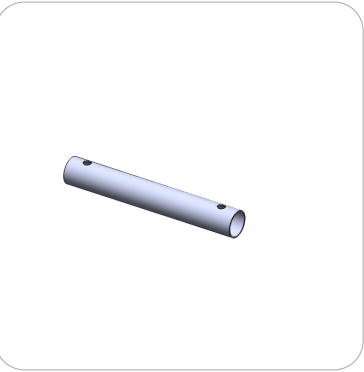
DS-20-11-A-T5 x2



DS-20-11-A-T6 x1



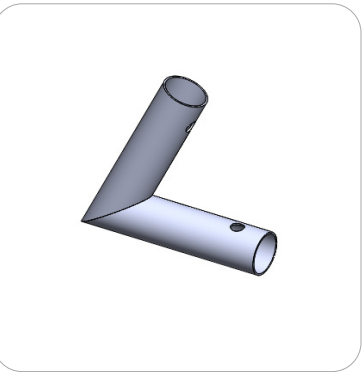
DS-20-11-A-T7 x1



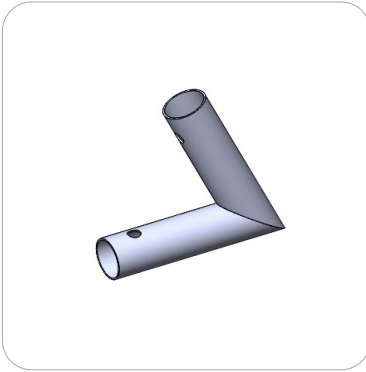
DS-20-11-A-T8 x2



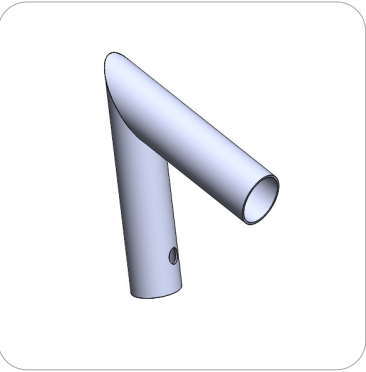
DS-20-11-A-T9 x2



DS-20-10-T1 x1



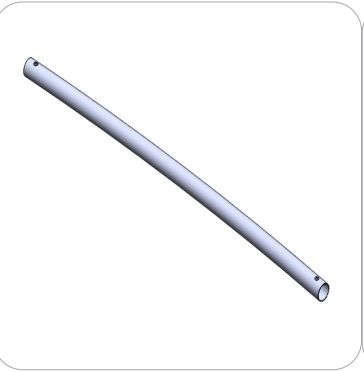
DS-20-10-T2 x1



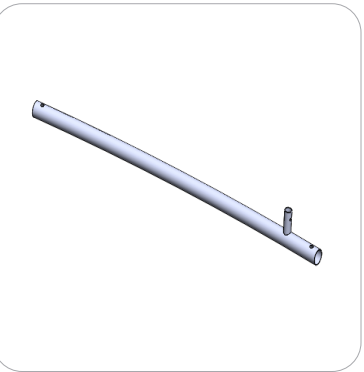
DS-20-10-T3 x1



DS-20-10-T4 x1



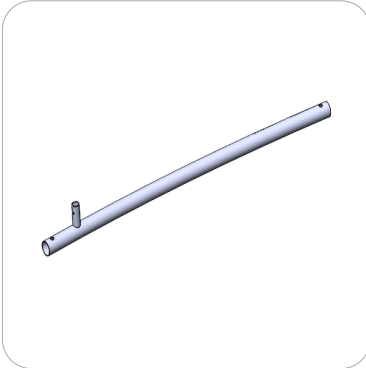
DS-20-10-T5 x2



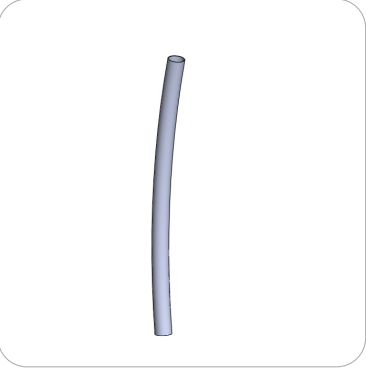
DS-20-10-T6 x4

Included In Your Kit

Tubes



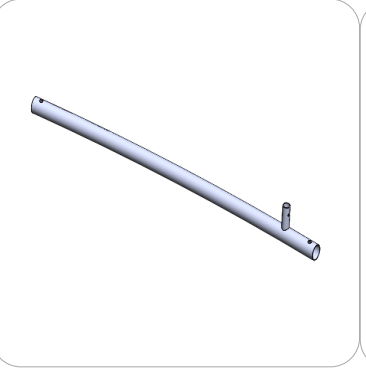
DS-20-10-T7 x1



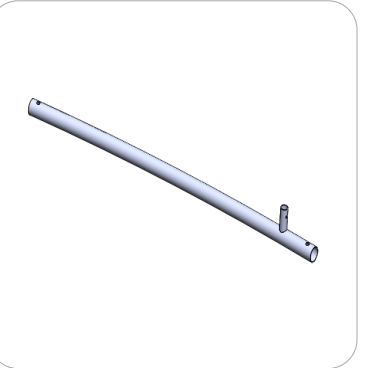
DS-20-10-T8 x4



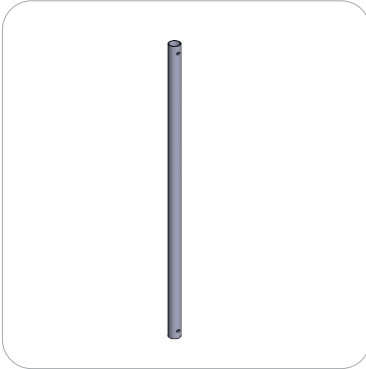
DS-20-10-T9 x2



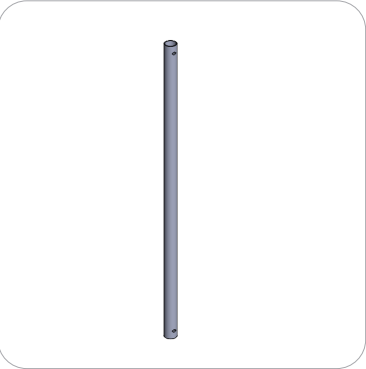
DS-20-10-T10 x1



DS-20-10-T11 x1



DS-20-10-T12 x2



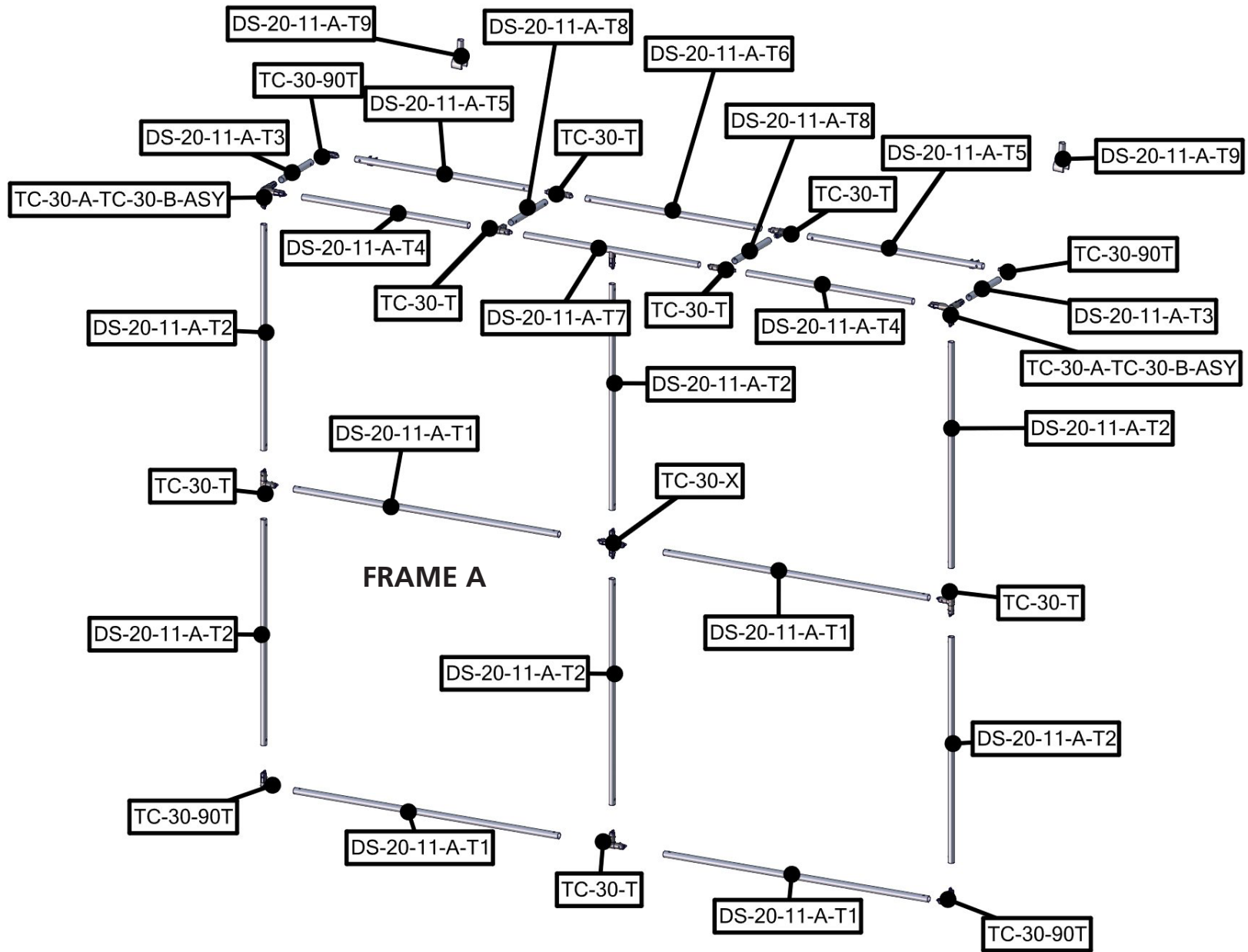
DS-20-10-T13 x2



DS-20-10-T14 x2

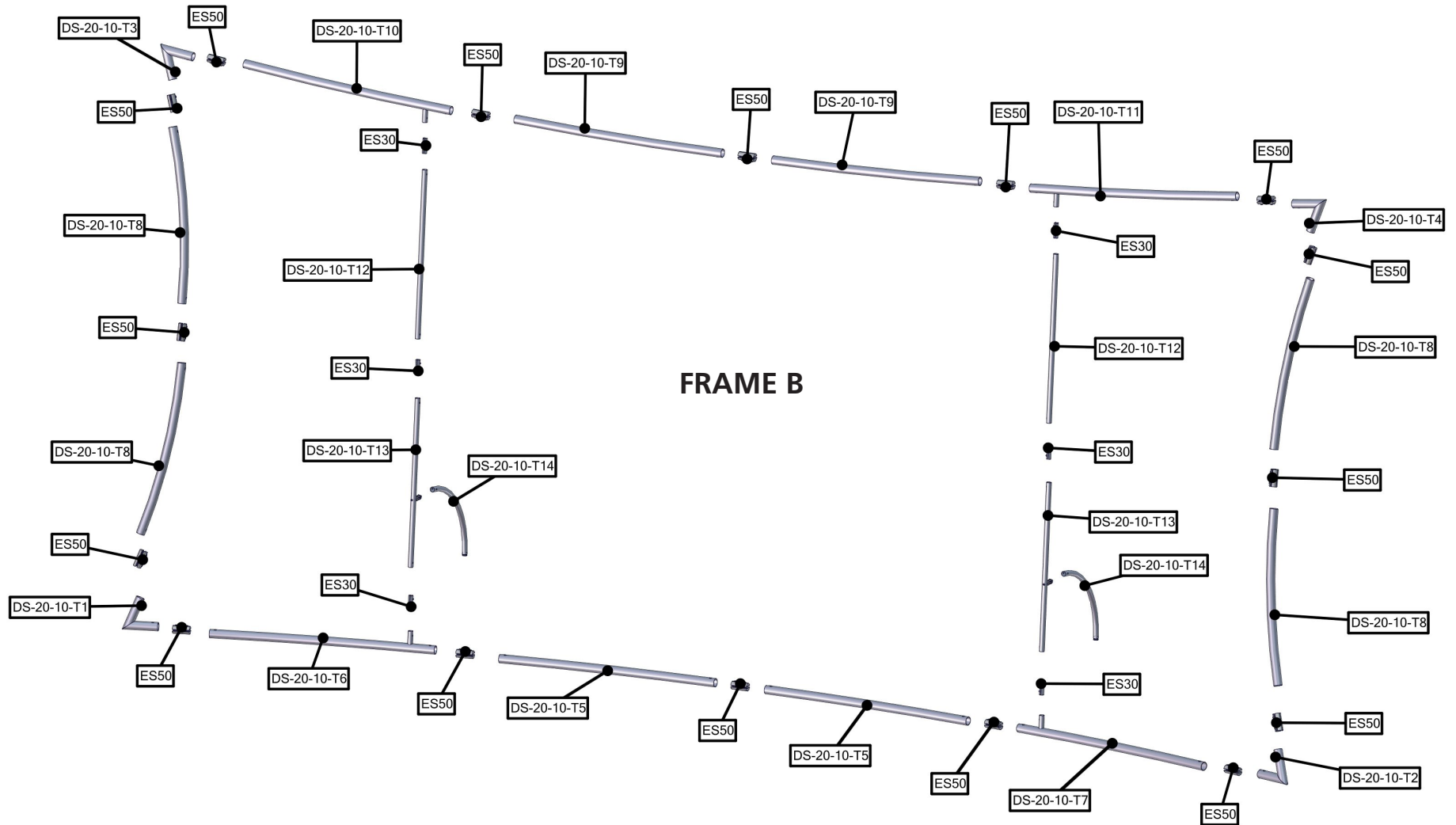
Exploded View

FMLT-DS-20-11



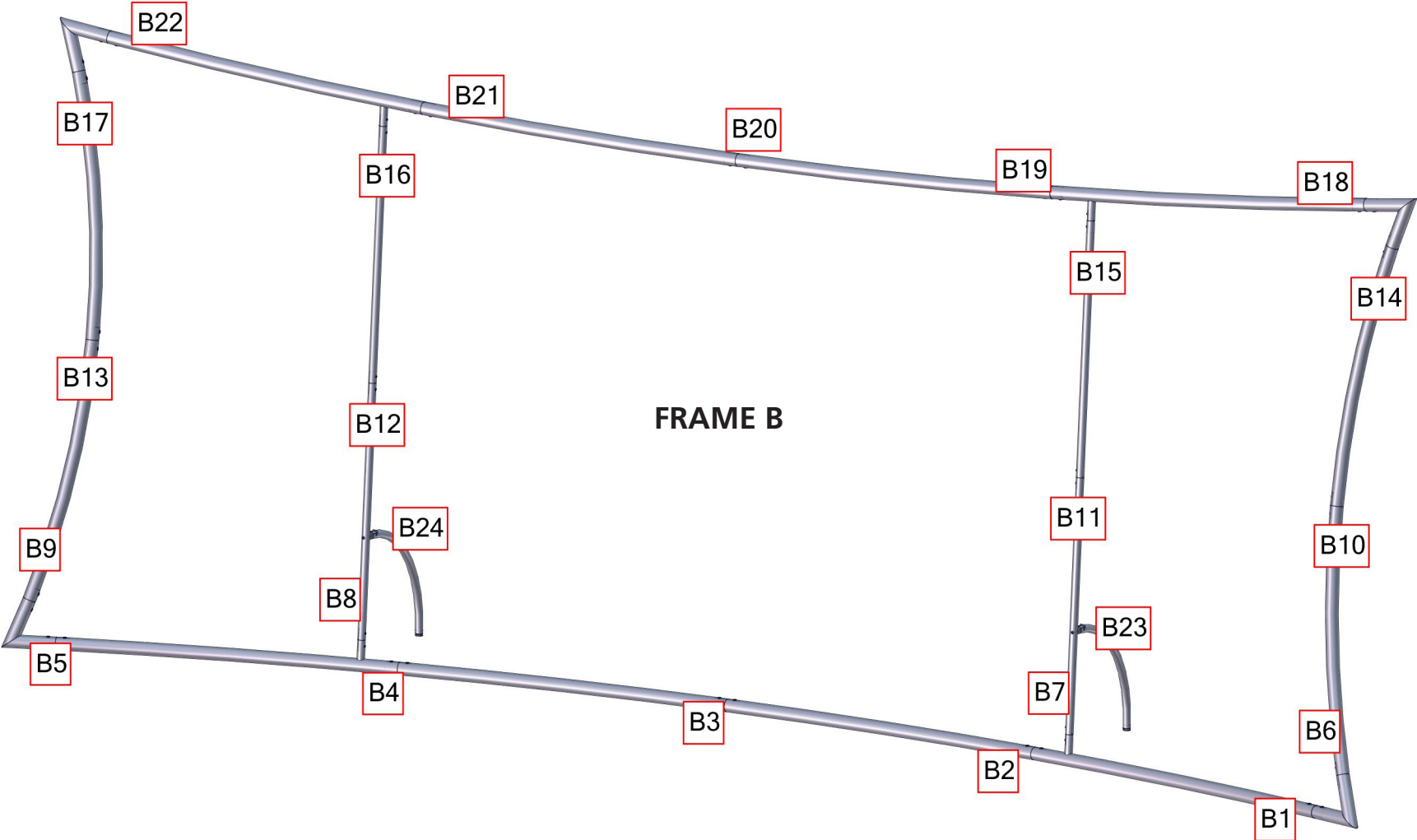
Exploded View

FMLT-DS-20-11



Labeling Diagram

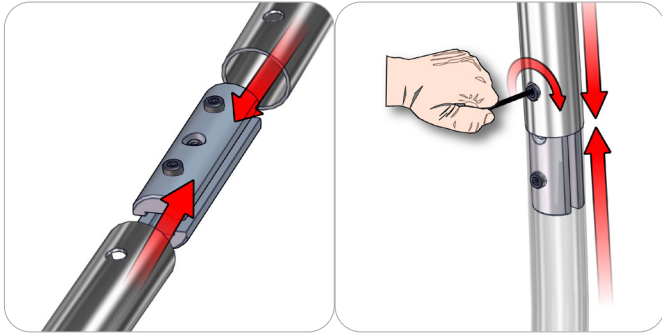
FMLT-DS-20-11



Connection Methods

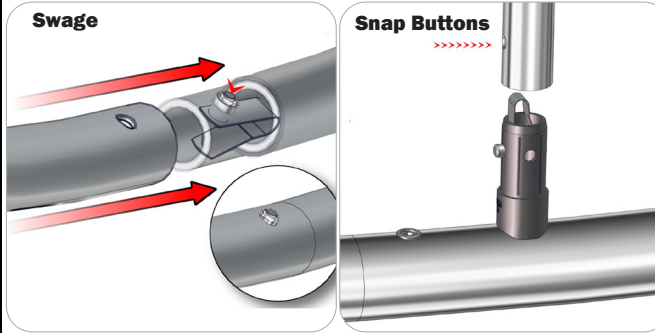
Formulate® structures use a number of different yet simple connection methods. Your kit will include one or more of the connection methods shown below. Steps within the Kit Assembly will reference a specific method for each connection point.

Connection Method 1: ES30 / ES50 / ES75



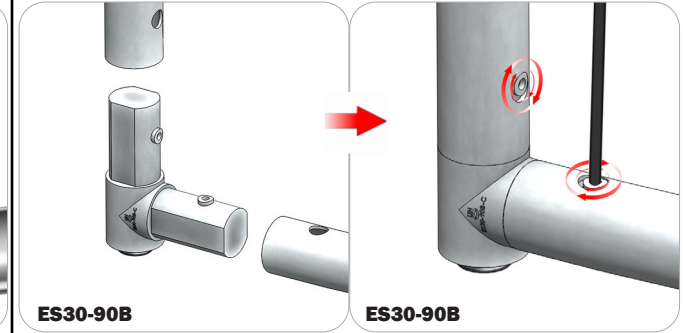
Compress the unlocked connector and slide one tube onto each end. Lock both screws carefully using your hex key tool. Be sure to lock securely, but do not overtighten.

Connection Method 2: Snap Buttons & Swage



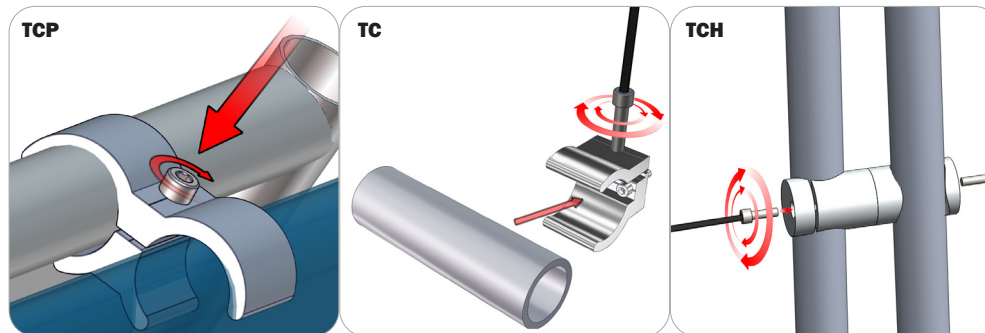
Locate the snap button on the connector or swage tube. Locate the hole on the corresponding tube. Press the snap button with your thumb and slide the tube and connector together so that the snap button snaps fully into the lock hole. To disassemble, press the snap button and pull apart.

Connection Method 3: ES30-90B / ES30-I / ES30-C



Compress one unlocked end of the connector and slide it through one tube end. Compress the other end of the connector and slide the second tube on. Lock both screws carefully using your hex key tool. Be sure to lock securely, but do not overtighten.

Connection Method 4: Tube Clamps

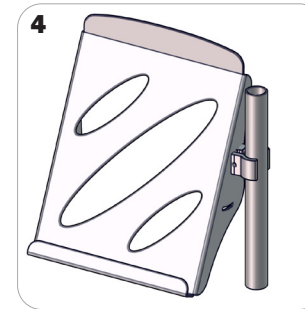
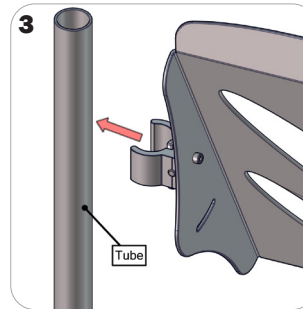
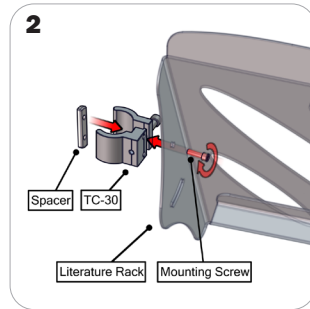
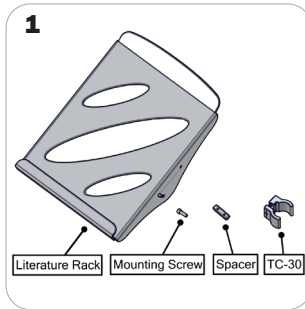


Be sure to fully assemble all frames before using clamps. With the clamp unlocked, place one tube of the first frame into the mouth of the clamp. Place the second tube (if applicable) into the second mouth of the clamp. With both frame's tubes in the clamp, be sure to lock securely, but do not overtighten.

Literature Pocket Assembly

Tube Connections

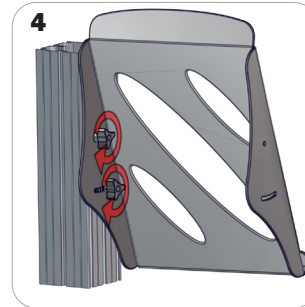
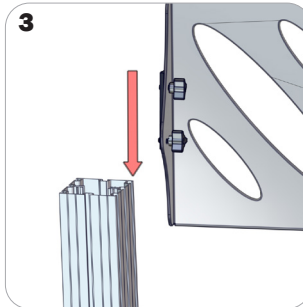
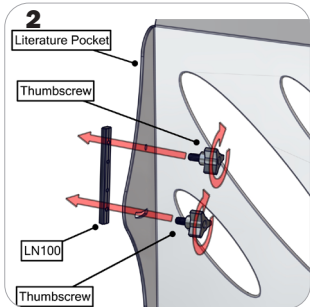
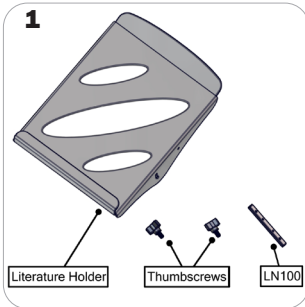
LN112



Locate and unpack your LN112 assembly. Assemble the components in the order shown in step 2. Before tightening into place, adjust angle. Use your hex key tool to lock the mounting screw. Attach the tube clamp to the tube in the desired location. Use your hex key tool to lock the clamp into place.

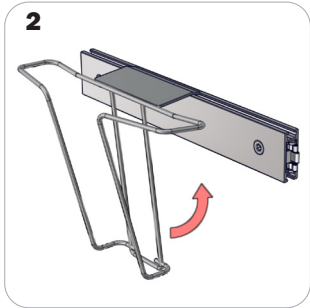
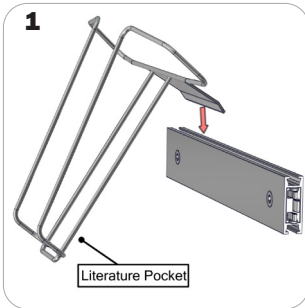
Extrusion Connections

LN112



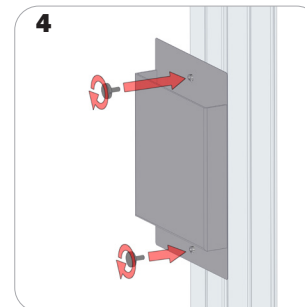
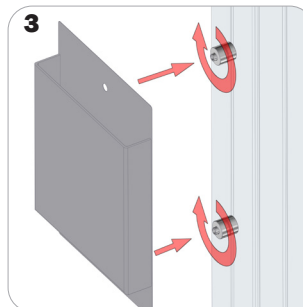
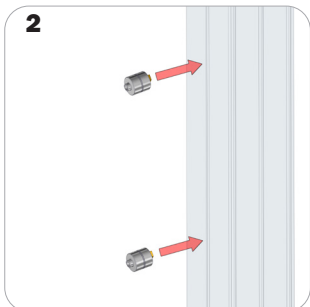
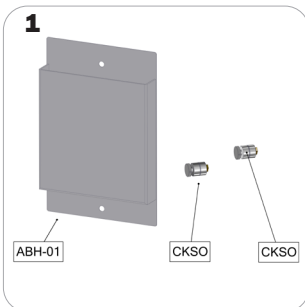
Locate and unpack your LN112 assembly. Assemble the components in the order shown in step 2, do not tighten. Slide the LN100 through the channel to the desired mounting location. Adjust angle. Hand tighten to lock into place.

LN112-2
LN112-3
LN112-4



Locate and unpack your literature pocket. Tilt your literature pocket so that the end of the flange sits inside of the desired horizontal channel. Rotate your literature pocket so the end of the flange rests inside of the channel.

ABH-01



Locate and unpack your ABH-01 assembly. Disassemble your CKSO standoff barrels by unscrewing their caps. Screw the long barrel base into the channel to lock into place. Align the holes of your ABH-01 literature pocket with the CKSO barrels, adjust the CKSO location if necessary. Screw the CKSO caps onto over the holes of the ABH-01 into the barrels.

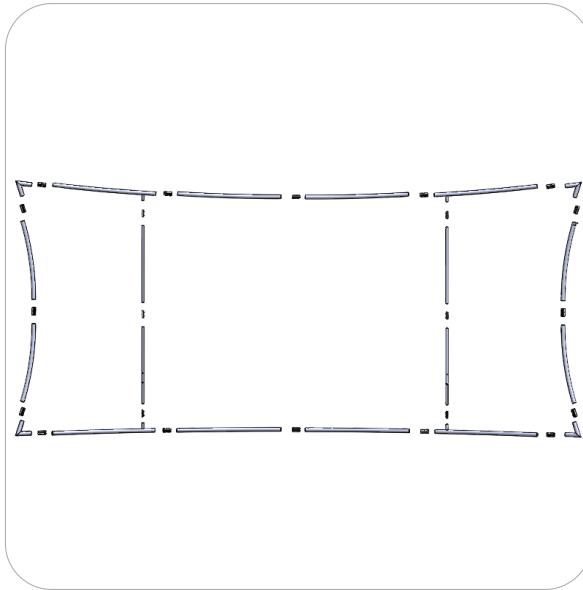
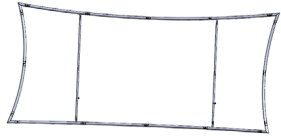
Kit Assembly

Step by Step

Step 1.

Locate the components necessary for assembling Frame B. Assemble your frame in order according to the Labeling Diagram.

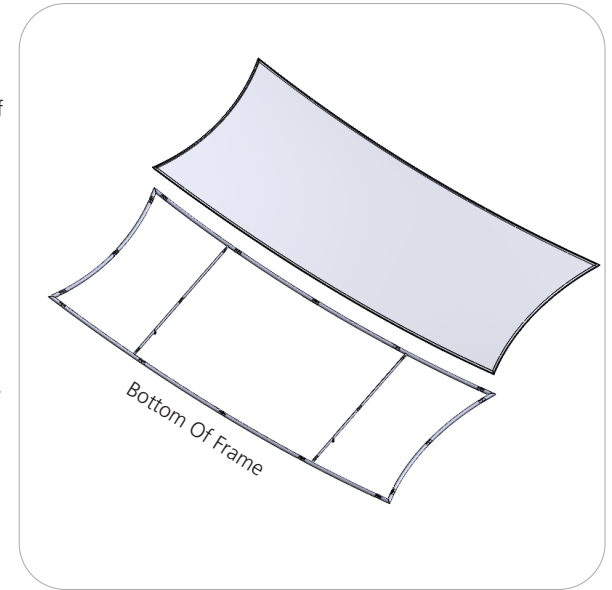
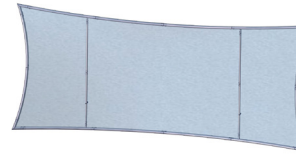
Please reference Connection Methods 1 & 2 for more details.



Step 2.

Fit the FMLT-DS-20-11-B-G graphic onto Frame B. For ease of installation, pull the fabric cover over the top of the frame while the frame rests flat on the floor. Zip to enclose.

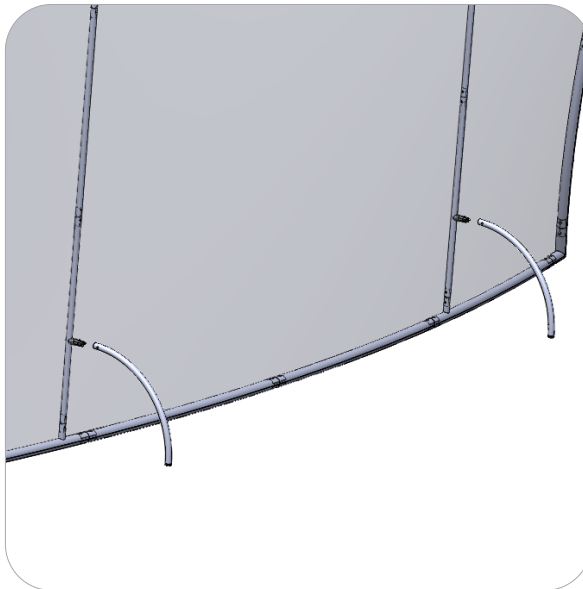
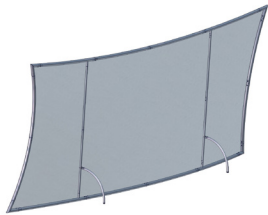
Zipper located on the bottom of Graphic B.



Step 3.

Attach the FMLT-DS-20-10-A-T14 to the connectors protruding through the graphics.

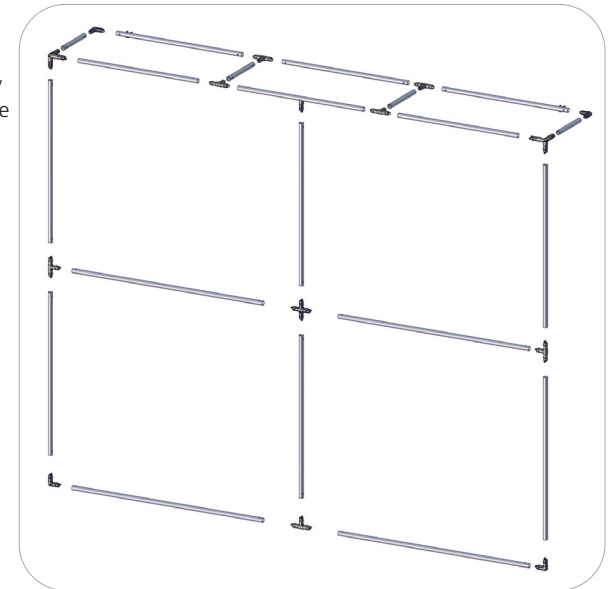
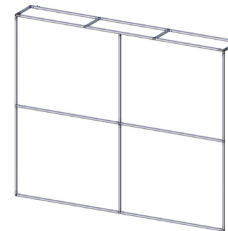
Please reference Connection Method 2 for more details



Step 4.

Locate the components necessary for assembling Frame A. Assemble your frame in order according to the Exploded View.

Please reference Connection Method 2 for more details.



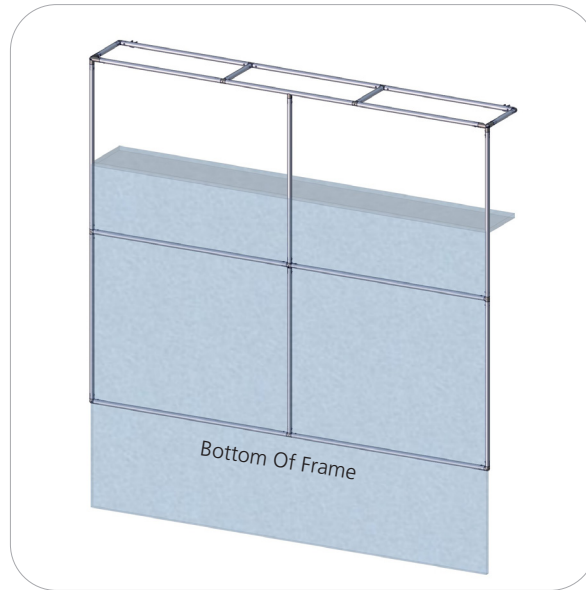
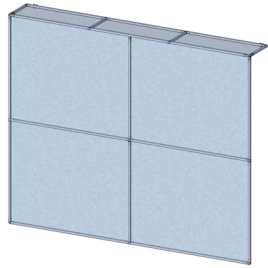
Kit Assembly

Step by Step

Step 5.

Fit the FMLT-DS-20-11-A-G graphic onto Frame A. For ease of installation, pull the fabric cover from the bottom of the frame while the frame rests flat on the floor. Zip to enclose.

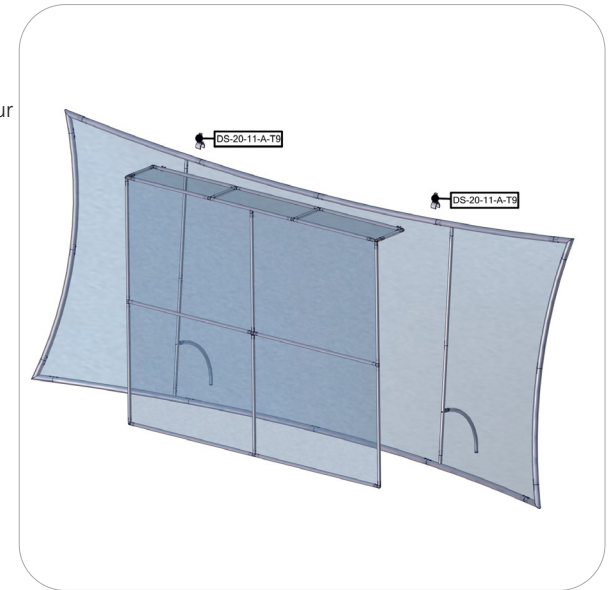
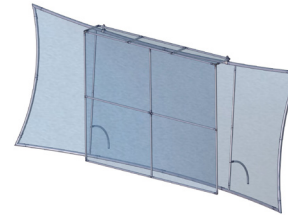
Zipper located to the top of Graphic A.



Step 6.

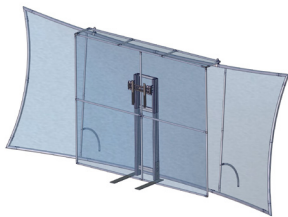
Locate the two T9 tube clamping components that will connect your Frame A onto Frame B. First, attach them onto the T5 tube clamps located at the top of Frame A. Second, attach the T9 tube clamps onto the top of Frame B.

Please reference Connection Method 4 for more details.



Step 7.

Locate your PM453 Monitor Kiosk Kit. Assemble it according to the order of the provided setup instructions. Place the kiosk behind Frame A as shown in the image to the right. The monitor bracket should be protruding out in front of the pillowcase graphic.

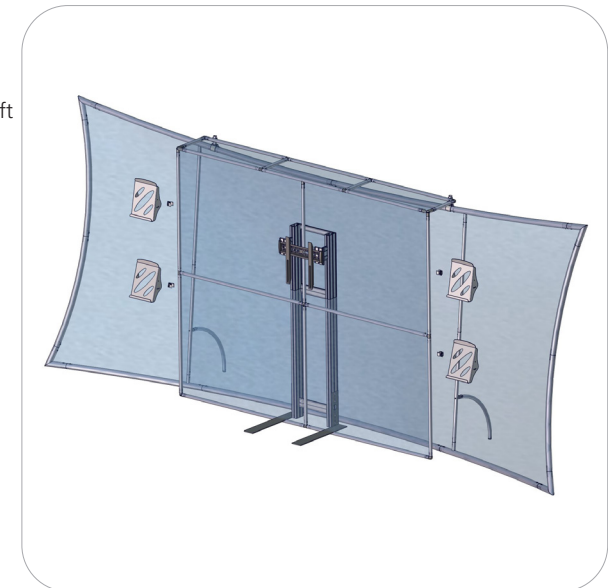


Step 8.

Assemble (2) LN112 Literature pockets with TC-30 clamps for left side mounting and (2) for right side mounting. Lock the LN112 assemblies to the bare post by sticking the clamps through the holes in the graphic.

Please reference the Literature Pocket Assembly page and Connection Method 4 for more details.

Setup is complete.



PM4S3 Monitor Kiosk

PM4S3-MK-M
PM4S3-MK-L

Kiosk displays are portable and easy to assemble. The aluminum extrusion frame features cam locks, tension glide connections and medium or large monitor mounts. This kiosk comes in a expandable shipping case.



features and benefits:

- Premium aluminum extrusion frames with cam lock and tension glide assembly
- Easy to store and ship
- Quick to set up
- Weighted feet for added stability
- Kiosk Kit includes a medium or large monitor mount
- Lifetime limited hardware warranty against manufacturer defects

dimensions:

Hardware

Assembled unit:
Medium or Large

25.59" w x 70.87" h x 25.59" d
650mm(w) x 1800mm(h) x 650mm(d)

Approximate weight:
(excludes cases & monitor mount)
Medium or Large

40 lbs / 19 kgs

Shipping

Packing case(s):
Medium or Large
1 OCE Case

Shipping dimensions:
OCE: Expandable case length (l) may vary
40" - 66" l x 18" h x 18" d
1016mm-1677mm(l) x 458mm(h) x 458mm(d)

Approximate total shipping weight:
(includes cases & monitor mount)
Medium
83 lbs / 38 kgs
Large
85 lbs / 39 kgs

additional information:

-Medium monitor mount can hold 32-55" monitor/ max weight 40lbs

-Large monitor mount can hold 40"-65" monitor/ max weight 40lbs

-Monitor not included

-If shipping with backwall kit cases may vary

We are continually improving and modifying our product range and reserve the right to vary the specifications without prior notice. All dimensions and weights quoted are approximate and we accept no responsibility for variance. E&OE.

Included In Your PM4S3 Monitor Kiosk

Tools, Components, Connectors & Extrusions



5MM ALLEN-T x1



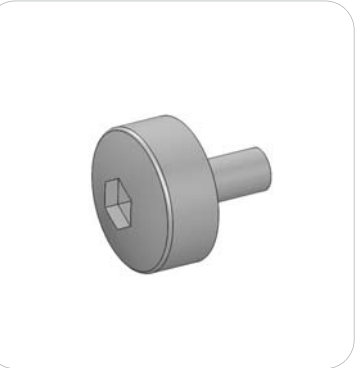
PM4S3-MM-FOOT-L x1



PM4S3-MM-FOOT-R x1



LN100 x6



M5 THUMBSCREW x8



PH2-350-L-L x3



PH5-100-L-L x2



PM4S4-150 x2



PM4S3-600-A165-A165 x2



PM4S3-1200-A165-A165 x2



PH2-300-TG x2

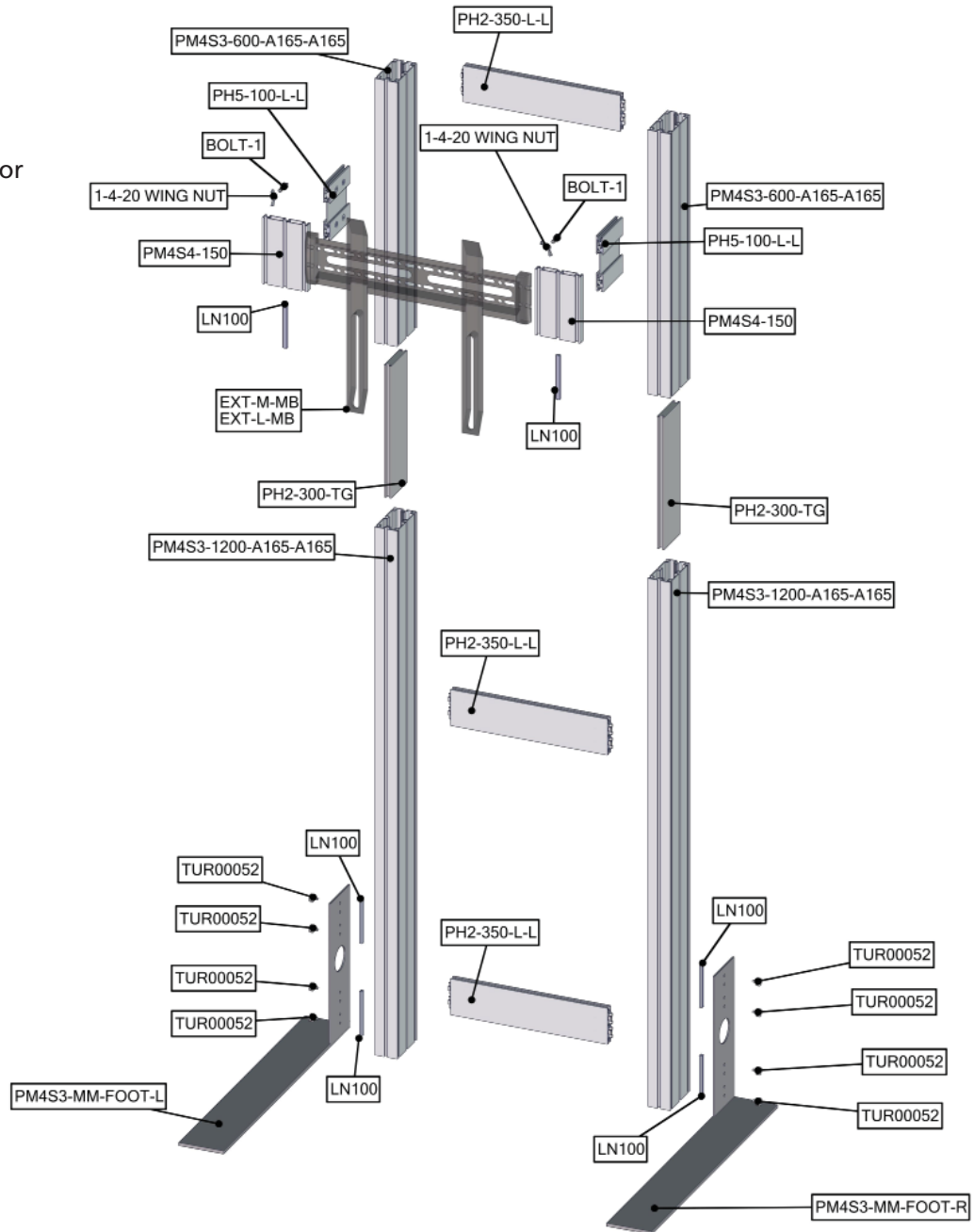


EXT-M-MB (or) EXT-LG-MB x1
Fastening Hardware Included

Exploded View

PM4S3-MK-M PM4S3-MK-L

Please note:
This is the the kiosk frame build for
either medium or large kit.

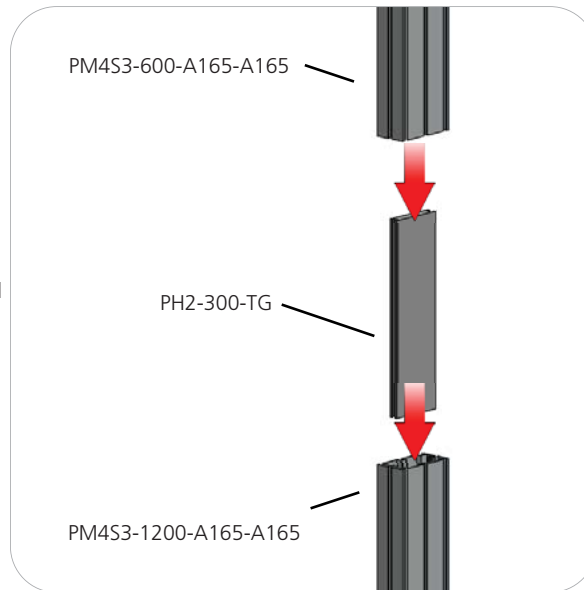


Kit Assembly

Step by Step

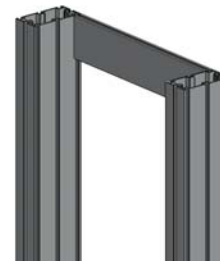
Step 1.

Reference the image to the right. Locate the coded extrusions. Slide the PH2-300-TG connector into one end of the PM4S3-1200-A165-A165 so that it goes as deep as the internal pins. Connect the PM4S3-600-A165-A165 by sliding it over the PH2-300-TG. Repeat for this step for the second vertical.



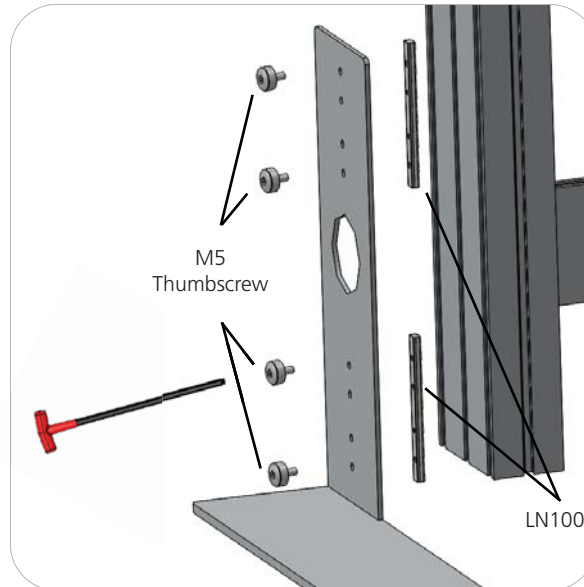
Step 2.

Collect your extrusions and handtool. Using the provided handtool, lock the extrusions into the back channel of the three channel PM4S3 faces as shown in the image below. Be sure the locks face toward the back of the assembly and do not over tighten.



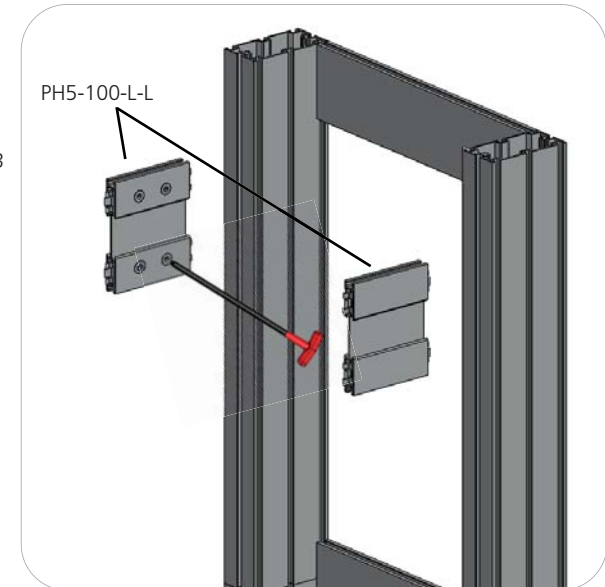
Step 3.

Locate the M5 thumbscrews, LN100s, and the PM4S3-MM stabilizing bases. Slide the LN100s into the middle channel of the PM4S3. Hand screw the M5 thumbscrews through the base holes and into the LN100 holes. Use the handtool to securely fasten the M5 Thumbscrews. Do not over tighten.



Step 4.

Measure from the ground to the center of the hole in your main kit's graphic. Lock the center of your PH5-100-L-L into the PM4S3 stacks at the dimension height of the graphic hole. Do not over tighten.



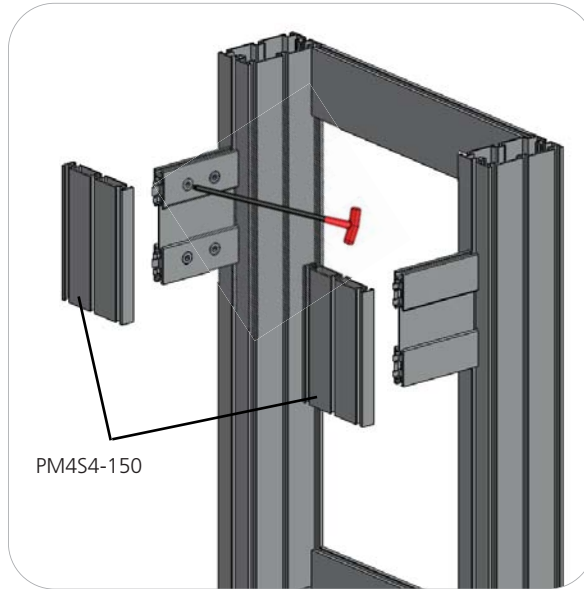
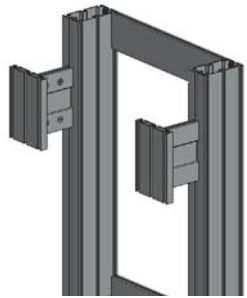
Kit Assembly

Step by Step

Step 5.

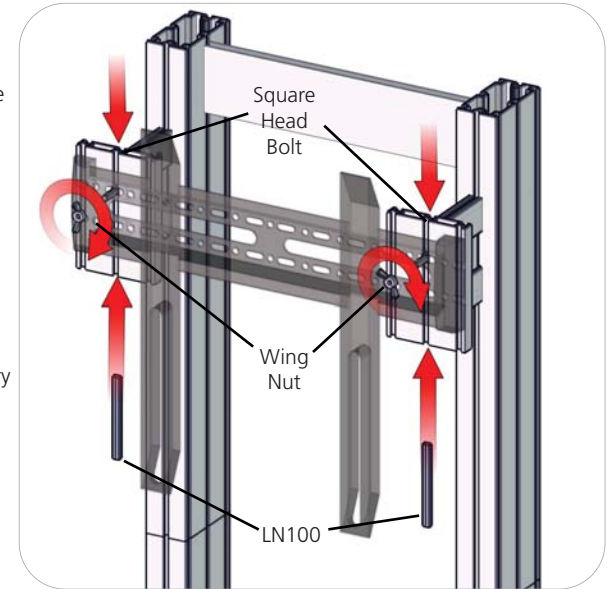
NOTE: Your main backwall assembly must be completed with graphics before completing this step of the monitor kit.

Lock your PM4S4-150 to the ends of the PH5-100-L-L. Do not over tighten.



Step 6.

Set your monitor stand so that the extrusion arms fit through the graphic hole. Use the provided fastening hardware to complete your monitor stand. Slide the LN100 into the bottom center channel of the PM4S4-150. Next, slide the Square Head Bolt into the top center channel of the PM4S4-150. Apply the monitor bracket and spacer washer before fastening with the wingnut. Monitor mount may vary depending on size. Monitor not included.



Step 7.

Setup is complete.



Monitor Bracket Instructions

Extrusion Channel Applications



EXT-SM-MB

Sizes: 17" - 37"

Max weight varies per application

Assembled unit:

9" w x 16" h x 1.4" d
230mm (w) x 410mm (h) x 35mm (d)

Shipping dimensions:

14" l x 6" h x 4" d
356mm (l) x 152mm (h) x 102mm (d)

Approximate total shipping weight:

6 lbs / 2.7 kgs

VESA:

75 x 75 - 200 x 200mm



EXT-M-MB

Sizes: 32" - 55"

Max weight varies per application

Assembled unit:

16" w x 16" h x 1.4" d
410mm (w) x 410mm (h) x 35mm (d)

Shipping dimensions:

24" l x 4" h x 4" d
610mm (l) x 102mm (h) x 102mm (d)

Approximate total shipping weight:

7 lbs / 3.2 kgs

VESA:

100 x 100 - 400 x 400mm



EXT-LG-MB

Sizes: 40" - 65"

Max weight varies per application

Assembled unit:

24" w x 16" h x 1.4" d
610mm (w) x 410mm (h) x 35mm (d)

Shipping dimensions:

28" l x 6" h x 6" d
711mm (l) x 152mm (h) x 152mm (d)

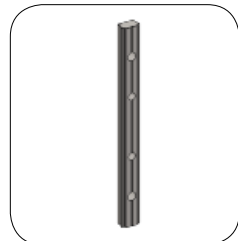
Approximate total shipping weight:

8 lbs. / 3.6 kgs

VESA:

100 x 100 - 600 x 400mm

Included hardware:



LN-100

x2



M5 x 10

LN-LCD-SCW x2



1/4"-20 x 1"

BOLT-1 x2

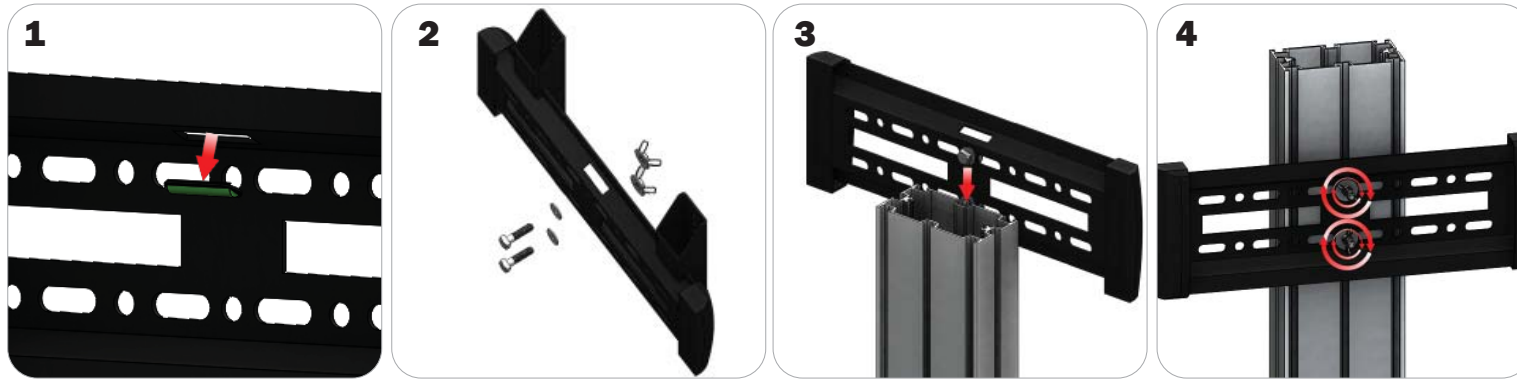


1/4"-20

Flange Wingnut x2

EXTRUSION CONNECTION

Channel Connection A

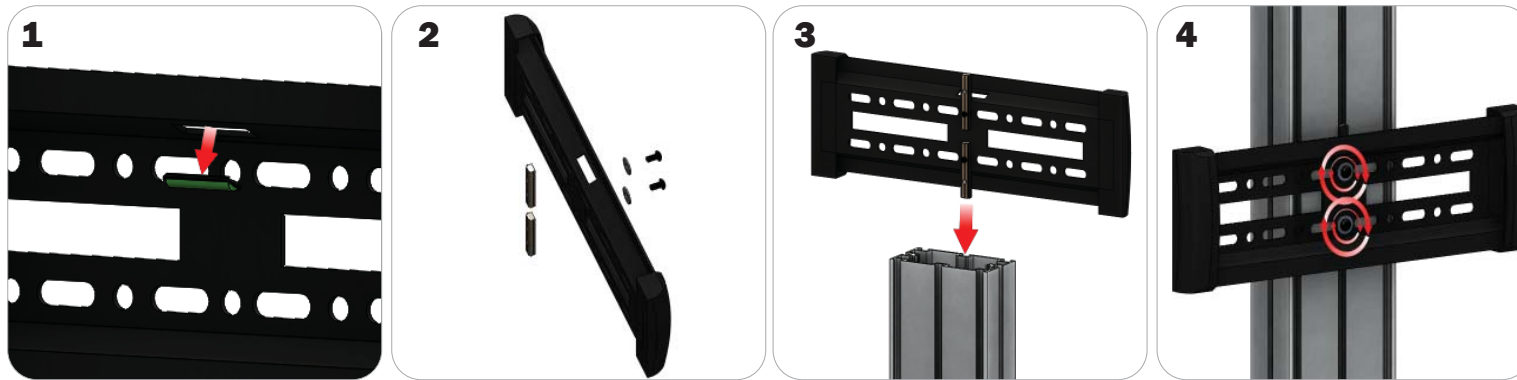


Locate all components needed to assemble the monitor mount with the channel connection A method. You will need (1) monitor bracket, (2) square head bolts, (2) washers, and (2) wingnuts.

Step 1: Apply pressure to the rear side of the leveling gauge clipped into the monitor mount to remove it. **Step 2:** Insert the provided bolts through the washers and center top and bottom holes of the monitor mount. Loosely thread your wingnuts onto the end of the bolts. **Step 3:** Slide the bolt heads down the extrusion channel.

Step 4: Tighten your wingnuts to lock the monitor bracket in place. **Step 5:** Reference the included manufacturer monitor mount instructions for fastening your monitor to the bracket.

Channel Connection B

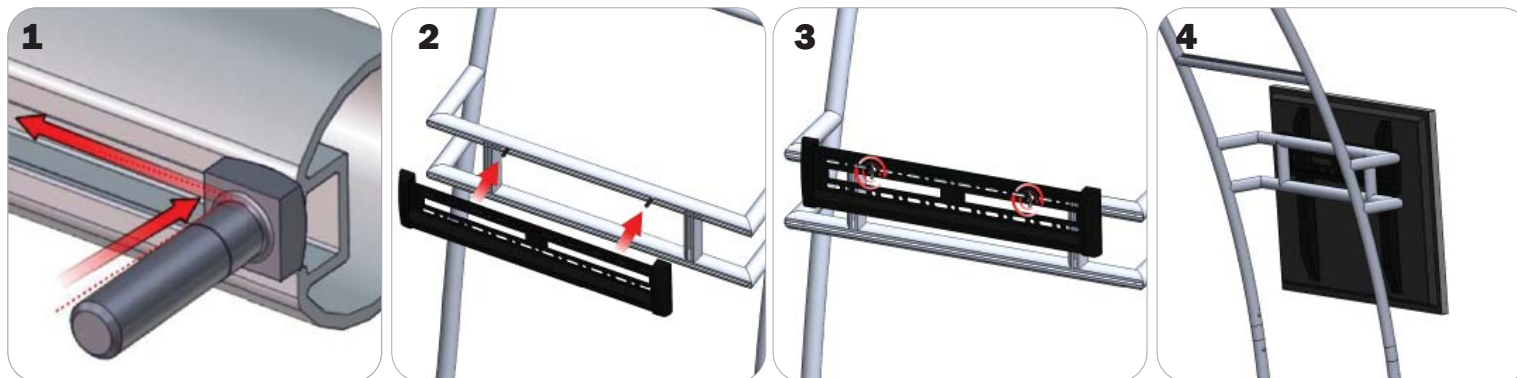


Locate all components needed to assemble the monitor mount with the channel connection B method. You will need (1) monitor bracket, (2) LN-LCD-SCW, (2) LN-100, and (2) washers.

Step 1: Apply pressure to the rear side of the leveling gauge clipped into the monitor mount to remove it. **Step 2:** Loosely thread the LN-LCD-SCW screws through the washers, the center top and bottom holes of the monitor bracket, and through the LN-50 holes. **Step 3:** Slide the LN-100s down the extrusion channel. **Step 4:** Tighten your LN-LCD-SCW to lock the monitor bracket in place.

Step 5: Reference the included manufacturer monitor mount instructions for fastening your monitor to the bracket.

TRI-30MM Channel Tube Connection



Locate all components needed to assemble the monitor mount with the TRI-30MM Channel Tube Connection method. You will need (1) monitor bracket, (2) Square Bolts, and (2) Wingnuts.

Step 1: Slip the head of the square bolts into the extrusion channel of the tube. **Step 2:** Apply your monitor bracket to the protruding square bolts. **Step 3:** Lock your monitor bracket to the square bolts using the provided wingnuts. **Step 4:** Reference the included manufacturer monitor mount instructions for fastening your monitor to the bracket.