

# Linear Kiosk 07

LN-K-07

Dress up and add wow to your space with state-of-the-art multimedia kiosks.



We are continually improving and modifying our product range and reserve the right to vary the specifications without prior notice. All dimensions and weights quoted are approximate and we accept no responsibility for variance. E&OE. See Graphic Templates for graphic bleed specifications.

## features and benefits:

- Custom appearance
- Easy to assemble
- Top is available in four color options
- Comes with four literature pockets
- Aluminum construction: vertical extrusions 50 mm x 50 mm
- Comes with your choice of frosted plex or PVC graphic panels
- Installation tool included
- Kit includes one OCH2 case
- Lifetime hardware warranty against manufacturer defects

## dimensions:

Hardware	Graphic
<b>Assembled unit:</b> 24" w x 72.875" h x 22" d approx. 610mm(w) x 1850mm(h) x 558mm(d)	<b>Top panel:</b> Total visible area: 11.8" w x 35.4" h 300mm(w) x 900mm(h)
<b>Shipping</b>	<b>Bottom panel:</b> Total visible area: 11.8" w x 35.4" h 300mm(w) x 900mm(h)
<b>Shipping dimensions</b> - ships in one case OCH2 case: 48.25" l x 24" w x 14.5" h 1225mm(l) x 609mm(w) x 368mm(h)	Refer to related graphic template for more information
<b>Approximate shipping weight (entire kit):</b> 75 lbs/ 34 kg	

## additional information:

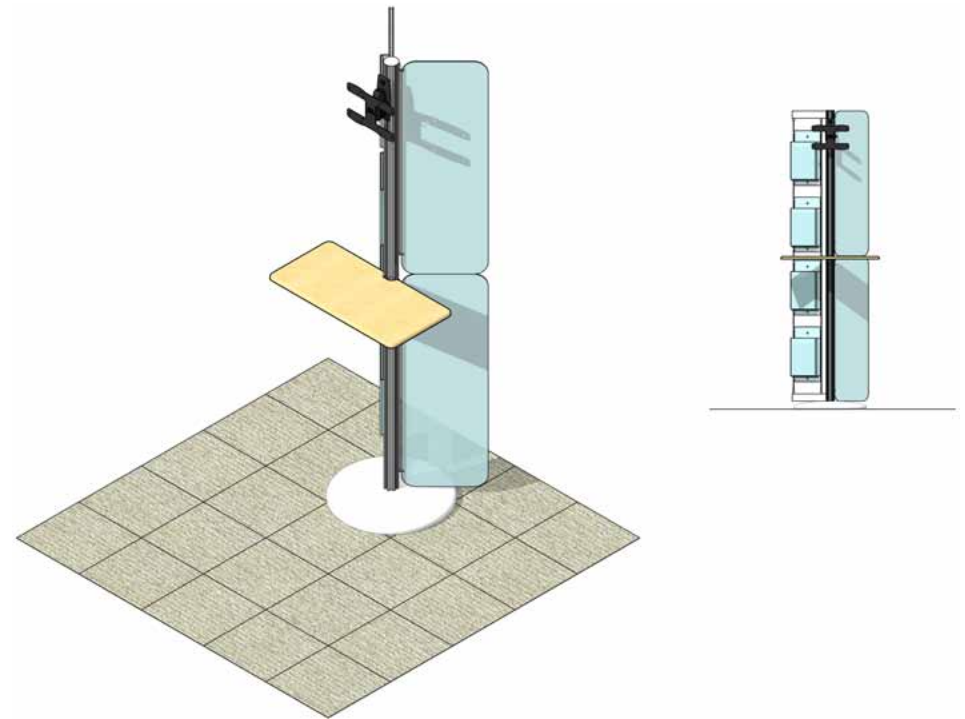
**Panel materials:**  
 Single-sided frosted acrylic or printed PVC

**Table top color options:**

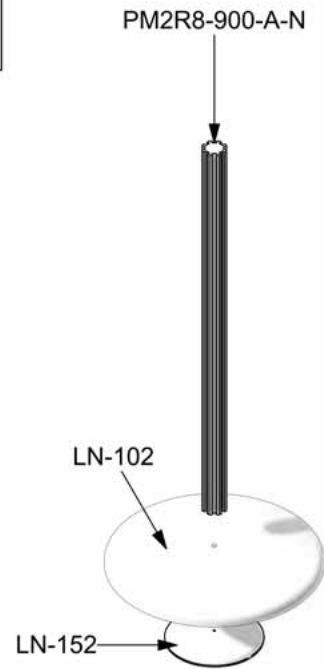
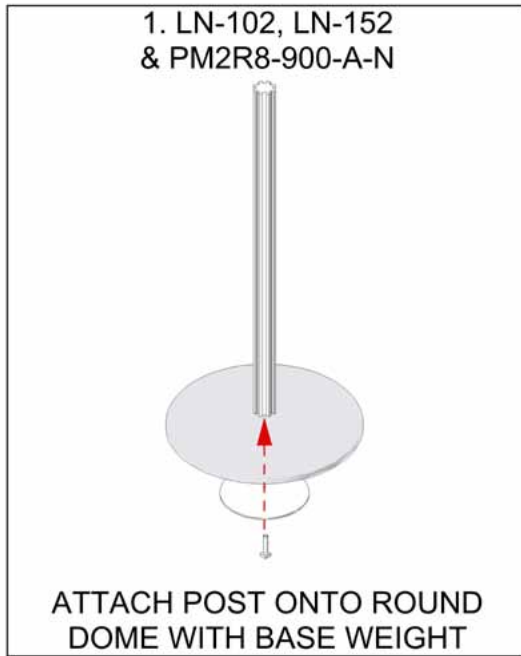


Small LCD monitor mount included:  
 Monitor mount supports monitor size range 13" - 27"  
 Max monitor weight 25 lbs.

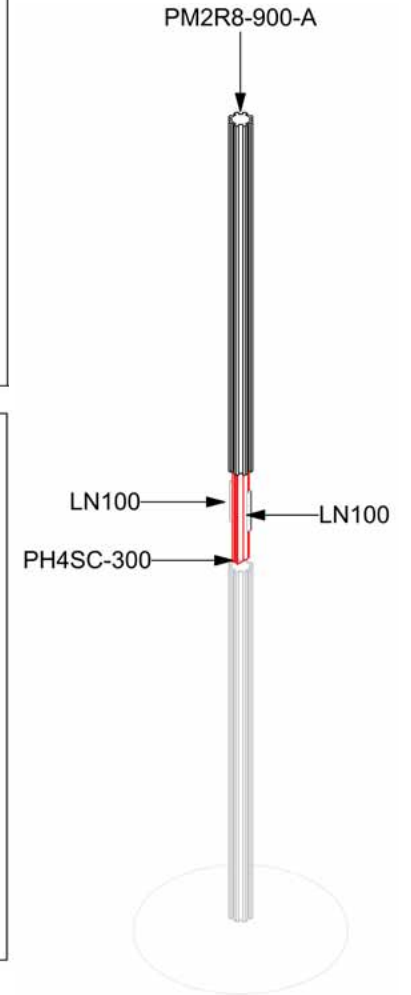
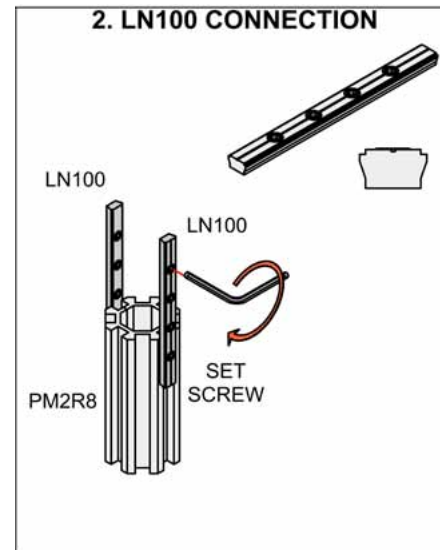
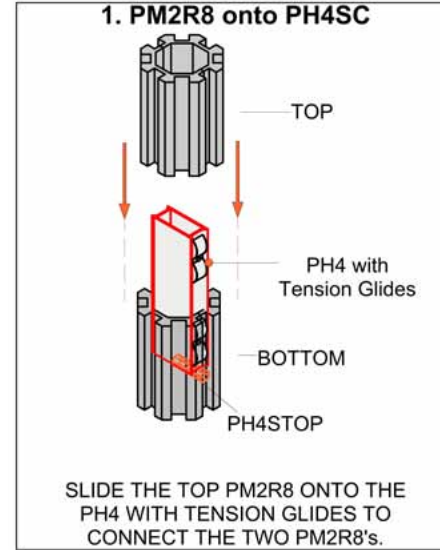
Parts Included		
Part Code	Qty.	Part Description
LN102	x1	ROUND DOME BASE
LN152	x1	BASE WEIGHT FOR ROUND DOME BASE
PM2R8-900-A-N	x1	PM2R8 900MM STOP / NUT
PM2R8-900-A	x1	PM2R8 900MM STOP ONE END
LN100	x2	LINEAR JOINING BAR
PH4SC-300	x1	300MM PH4SC WITH TENSION GLIDES
ALLEN KEY SET	x1	ALLEN KEY MULTI-TOOL
LN-LCD1-B	x1	13"-27" FLATSCREEN BLACK LINEAR LCD MONITOR MOUNT FOR SMALL
LN-G-K-07*	x2	LINEAR KIOSK KIT 7 PANEL (*MATERIAL FINISH MAY VARY)
CKAPS	x4	7MM MULTIANGLE FIXING W/NT1
LN-K-TBL3*	x1	LINEAR KIOSK TABLE COUNTER 3 (*MATERIAL FINISH MAY VARY)
PHFC2-150-L	x1	PHFC2 150MM WITH ONE LOCK AND END CAP
WME-800	x2	WME 800MM (31.5") WIRE MANAGEMENT EXTRUSION
PH-300-L	x2	300MM (11.81") PH EXTRUSION WITH LOCK 1 END AND END CAP
LN-K-7-LITRACK	x1	LINEAR KIOSK KIT 7 LITRACK
PM4R8-MCAP	x1	PM2R8 GREY MOLDED CAP
OCH2	x1	OCH2 SHIPPING CASE



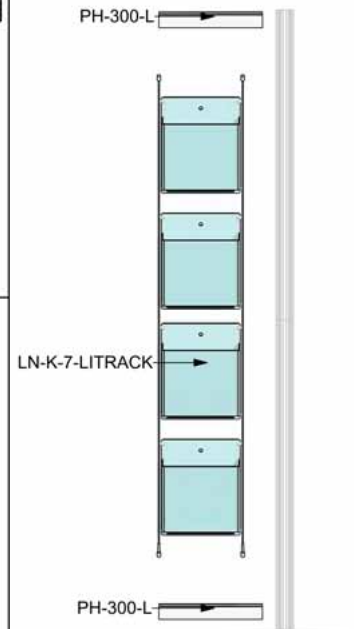
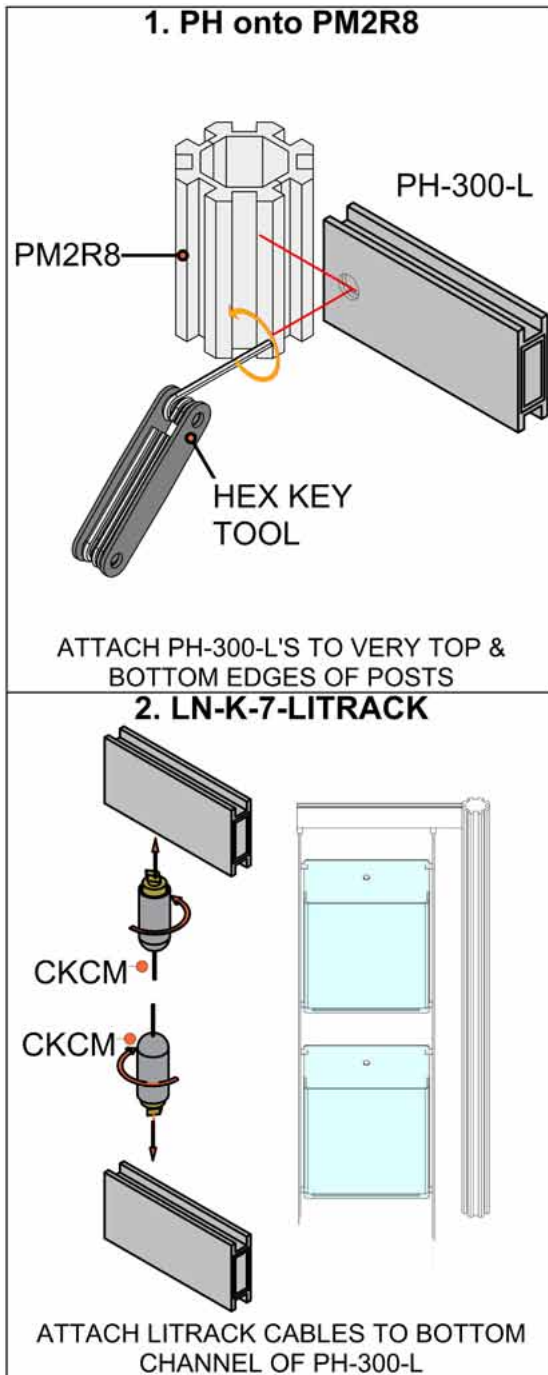
Step 1.



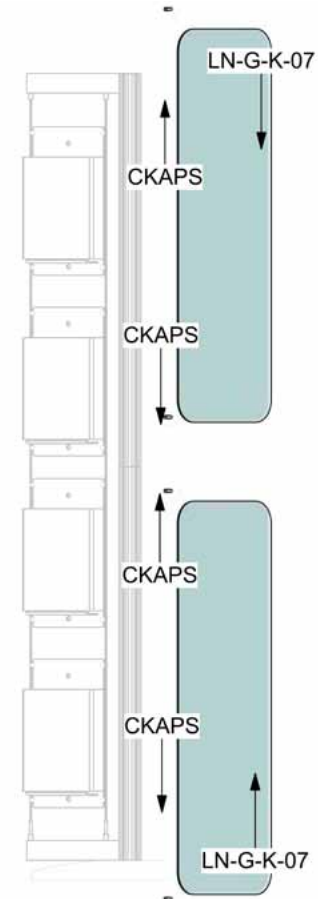
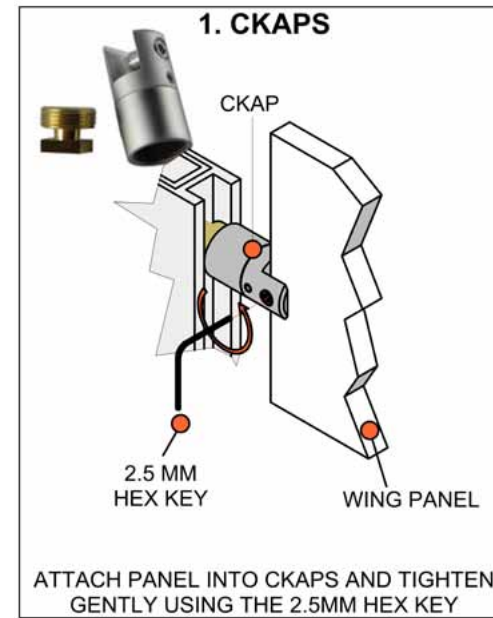
Step 2.



Step 3.

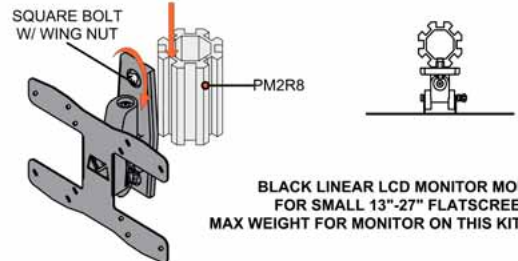


Step 4.



### Step 5.

**1. SMALL MONITOR MOUNT**



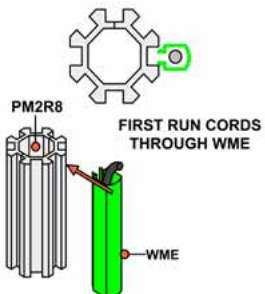
SQUARE BOLT W/ WING NUT

PM2R8

**BLACK LINEAR LCD MONITOR MOUNT FOR SMALL 13"-27" FLATSCREEN  
MAX WEIGHT FOR MONITOR ON THIS KIT IS 25LBS.**

Slide the square bolts into the channel of the EXTRUSION. Once the monitor mount is at the desired position turn the wing nuts clockwise to secure the monitor mount to the extrusion.

**2. WME TO PM2R8**



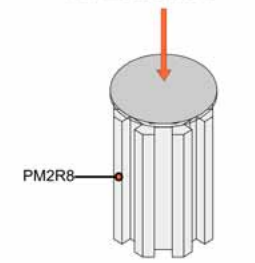
PM2R8

FIRST RUN CORDS THROUGH WME

WME

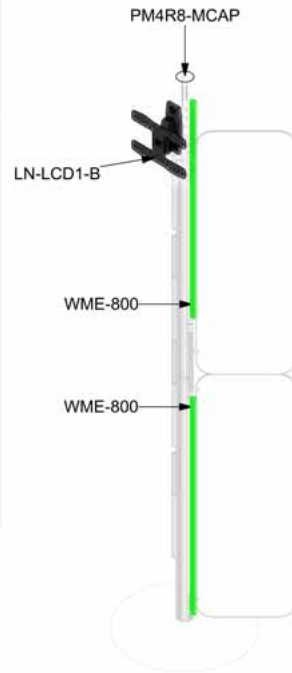
SNAP WME INTO EXTRUSION CHANNEL.

**3. PM2R8 MCAP**



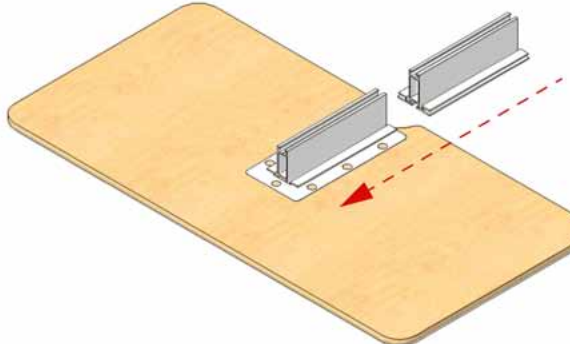
PM2R8

APPLY CAP ONTO END OF EXTRUSION

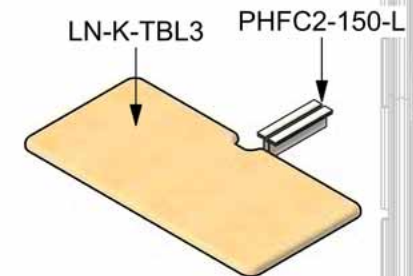


### Step 6.

**1. LN-K-TBL3**



SLIDE PHFC2-150-L INTO UNDERSIDE OF LN-K-TBL3



## Check out these related products:

---



Linear Kiosk 05



Linear Kiosk 06



Linear Kiosk 07



Linear Kiosk 08

---