

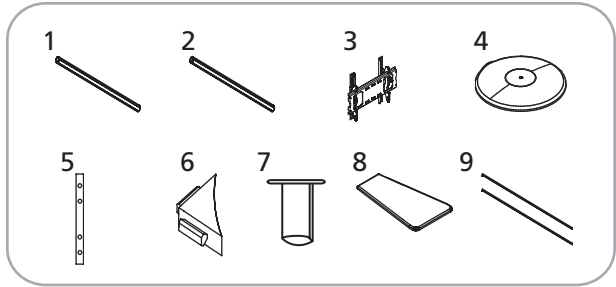
Linear Kiosks

Linear Monitor Kiosk is the perfect compliment to a linear back wall display system and a great addition to any display. From literature holders to simple monitor displays incorporating table tops and PC storage, the Linear Kiosk is a versatile addition to any booth space.



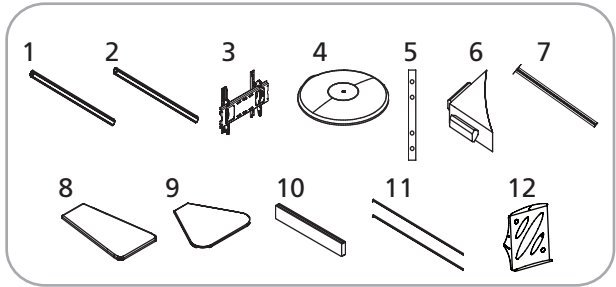
1 Linear Monitor Kiosk Kit 1: LN-MK-1

1. kiosk top half upright (x1)
2. kiosk bottom half upright (x1)
3. opti-mount 2 (x1)
4. kiosk base (x1)
5. joining bar (x4)
6. corner lock (x4)
7. cpu support (x1)
8. cpu stand (x1)
9. wire management extrusion (x2)



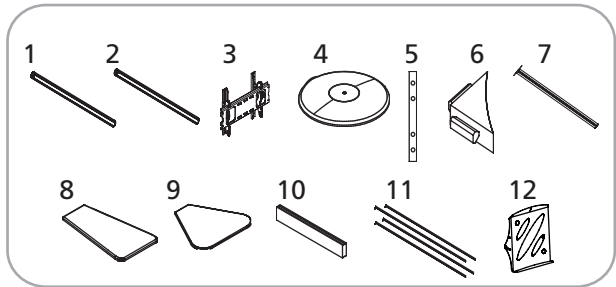
2 Linear Monitor Kiosk Kit 2: LN-MK-2

1. kiosk top half upright (x1)
2. kiosk bottom half upright (x1)
3. opti-mount 2 (x1)
4. kiosk base (x1)
5. joining bar (x4)
6. corner lock (x4)
7. table leg (x2)
8. cpu stand (x1)
9. triangle table top (x1)
10. table support (x1)
11. wire management extrusion (x2)
12. literature rack (x2)



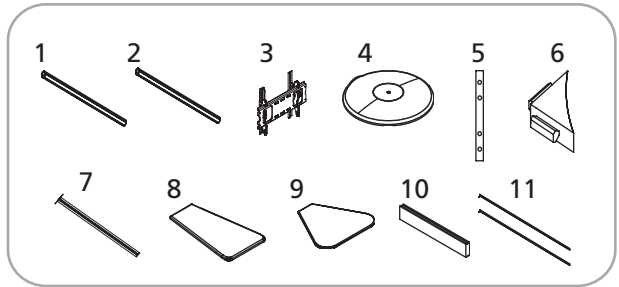
3 Linear Monitor Kiosk Kit 3: LN-MK-3

1. kiosk top half upright (x1)
2. kiosk bottom half upright (x1)
3. opti-mount 2 (x2)
4. kiosk base (x1)
5. joining bar (x4)
6. corner lock (x4)
7. table leg (x4)
8. cpu stand (x2)
9. triangle table top (x2)
10. table support (x2)
11. wire management extrusion kit (x1)
12. literature rack (x2)



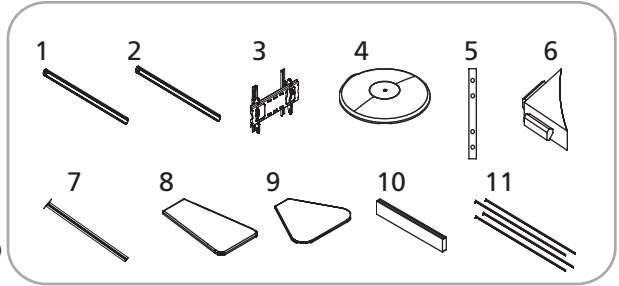
4 Linear Monitor Kiosk Kit 4: LN-MK-4

1. kiosk top half upright (x1)
2. kiosk bottom half upright (x1)
3. opti-mount 2 (x1)
4. kiosk base (x1)
5. joining bar (x4)
6. corner lock (x4)
7. table leg (x2)
8. cpu stand (x1)
9. triangle table top (x1)
10. table support (x1)
11. wire management extrusion (x2)



5 Linear Monitor Kiosk Kit 5: LN-MK-5

1. kiosk top half upright (x1)
2. kiosk bottom half upright (x1)
3. opti-mount 2 (x2)
4. kiosk base (x1)
5. joining bar (x4)
6. corner lock (x4)
7. table leg (x4)
8. cpu stand (x2)
9. triangle table top (x2)
10. table support (x2)
11. wire management extrusion kit (x1)



1

2

3

4

5

**Only follow instructions that
display your kiosk number**

Assembly

1

1 2 3 4 5

2

Slide on one corner lock per table used on your kiosk
 Kiosk #1 - 1 corner lock on one side
 Kiosk #2 - 2 corner locks on one side
 Kiosk #3 - 2 corner locks on two sides
 Kiosk #4 - 2 corner locks on one side
 Kiosk #5 - 2 corner locks on two sides

1 2 3 4 5

3

1 2 3 4 5

4

1 2 3 4 5

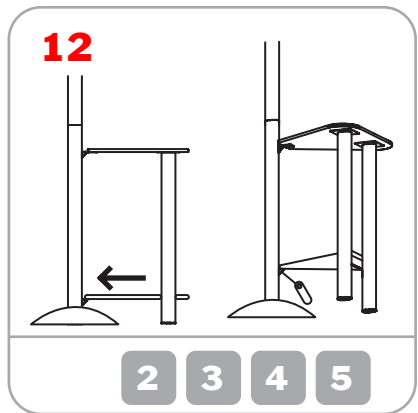
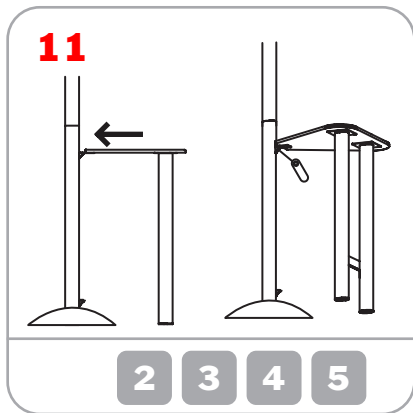
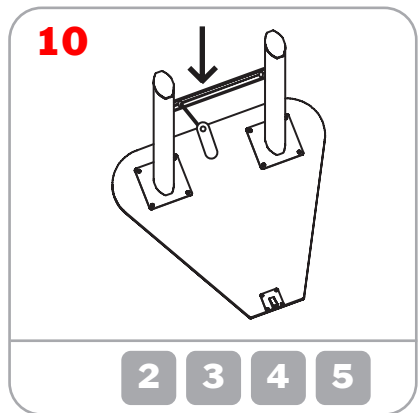
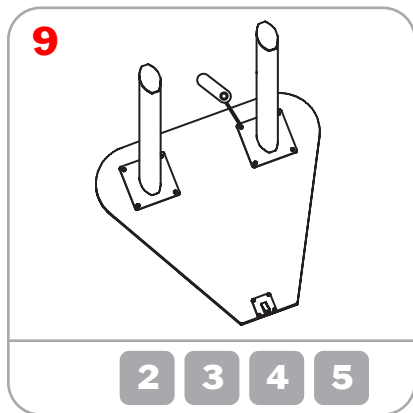
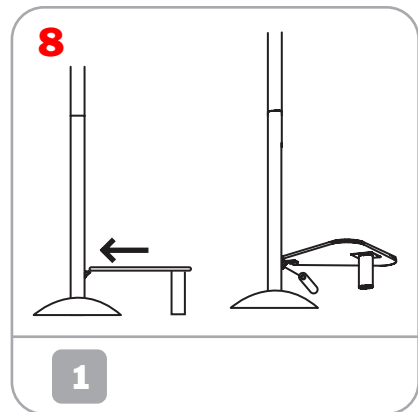
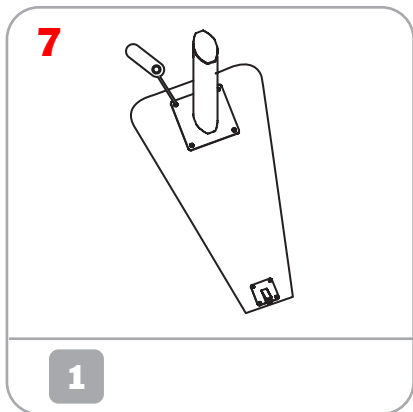
5

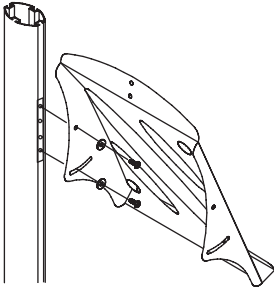
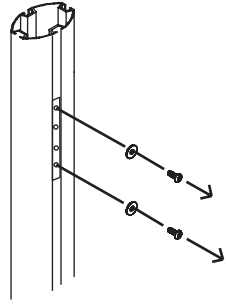
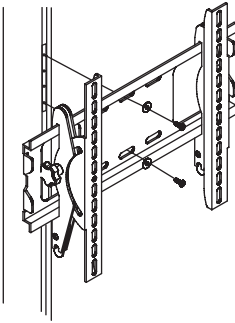
Slide on one joining bar for each monitor mount/literature rack used on your kiosk
 Kiosk #1 - 1 bar on one side
 Kiosk #2 - 1 bar on 3 sides
 Kiosk #3 - 1 bar on 2 sides, 2 bars on one side
 Kiosk #4 - 1 bar on one side
 Kiosk #5 - 1 bar on two sides

1 2 3 4 5

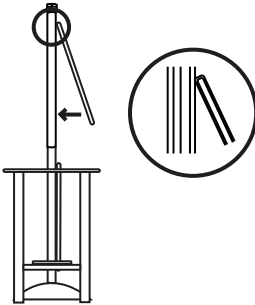
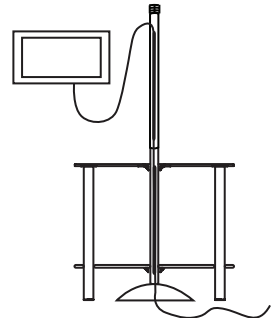
6

1 2 3 4 5

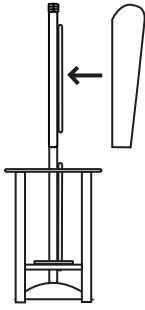


13**2 3****14****1 2 3 4 5****15****1 2 3 4 5****16**

Please refer to manufacturer's instructions for mounting your monitor. The kiosks have been designed to accommodate monitors no larger than 32" (40lbs). LCD TVs (and/or computers) are not provided.

1 2 3 4 5**17****1 2 3 4 5****18****1 2 3 4 5**

19



3

5

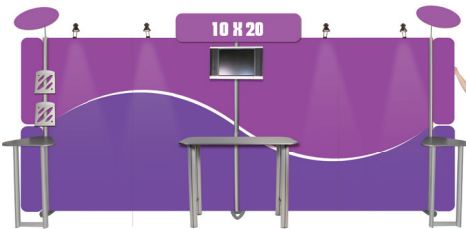


Meet the rest of the Linear family



The Linear Tabletop is a quick to set up hybrid modular display system. There are eight different stylish wing design options to choose from, all with quick shipping.

The Linear 10x10 is a hybrid modular display system that allows unparalleled versatility. With the build your own linear option you can personalize your display from start to finish. When selecting an off-the-shelf solution for you Linear display, there are 10 different designs to choose from.



The 10x20 Linear system is similar to the 10x10, but will easily span a 20' booth space. Whether building this system a la carte or choosing a kit, it is sure to be functionally versatile and aesthetically pleasing.

Features and Benefits

- Versatile compatability: PC/Mac, Blu-Ray, Hd-DVD, DVD, Laser Disc, VHS and more*
- Monitor mount conforms to the VESA standard, which fits most monitors*
- Monitor and Literature holder height /angle are adjustable for added versatility
- Lower counter height is also adjustable (except LN-MK-1)
- Your choice of standard sizes, configurations, and tabletop colors compliment your boot decor
- Modular portability makes the unit great on-the-go
- Sturdy aluminum frame constructions and die formed base provide stability
- Standardized kits allow for quick shipping
- Installation tool included

Display Dimensions

LN-MK-1:

86.5"t x 29.25"d x 18.5"w
2197mm t x 743mm l x 470mm w

LN-MK-2 & LN-MK-4

86.5"t x 30.75"d x 23.25"w
2197mm t x 781mm l x 591mm w

LN-MK-3 & LN-MK-5

86.5"t x 47.5"d x 23.25"w
2197mm t x 1207mm l x 591mm w

Top Wings

Total Size: 11" w x 42.5" h
279mm w x 100mm h

Trim Size: 10w x 41.5" h
254mm w x 1054mm h

Bottom Wings

Total Size: 11" w x 42.5" h
279mm w x 1080mm h

Trim Size: 10" w x 41.5" h
254mm w x 1054mm h

Additional Information

Total Shipping Weight:

LN-MK-1: 62 lbs / 29 kg
LN-MK-2: 78 lbs / 35.5kg
LN-MK-3: 98 lbs / 45.5 kg
LN-MK-4: 70 lbs / 32 kg
LN-MK-5: 90 lbs / 41 kg

Shipping Case Dimensions:

50"l x 28"w x 12"d
1270mm l x 712mm w x 305mm d

Ships in OCH case

Graphic Material: 3mm styrene

Printing Process: UV printed

Footprints (do not include monitor)

LN-MK-1: 24" w x 33" d
LN-MK-2: 24" w x 32" d
LN-MK-3: 24" w x 46" d
LN-MK-4: 24" w x 32" d
LN-MK-5: 24" w x 46" d

* Device compatibility depends on your monitor. PC and Mac require a DVI Cable and DVI to HDMI adapter. No video hardware is supplied. The seller, along with any and all third parties, whether associated or non associated, shall be free from liability if damage should occur to your video/audio and/or other hardware not expressly named here within, as well as you and/or anyone else's person due to improper use of this product.

We are continually improving and modifying our product range and reserve the right to vary the specifications without prior notice. All dimensions and weights quoted are approximate and we accept no responsibility for variance. E&OE. See Graphic Templates for graphic bleed specifications.