

Excalibur

EXC-800-S-1
EXC-920-S-1

Stylish design and proven reliability make Excalibur a popular quality banner stand for prestige locations. Excalibur is a feature-rich single or double-sided retractable banner stand, and has been specially designed for maximum convenience and ease of use.



features and benefits:

- Available in two widths
- Variable graphic height: 60" - 83"
- Hybrid bungee/telescoping pole with toolless quick rail
- Accessory channel featured on the top of the unit (to add a literature pocket or arm table)
- Adjustable feet on base
- Anodized silver base only
- Single or double sided
- Graphic tensioner
- Quick slide graphic to leader attachment
- Supplied with carry bag with strap
- Lifetime limited warranty against manufacturer defects

dimensions:

Hardware	Shipping
Assembled unit: 800mm: 33.75" w x 88.25" h x 10.83" d 857mm(w) x 2178(h) x 275mm(d) 920mm: 38.58" w x 88.25" h x 10.83" d 980mm(w) x 2178mm(h) x 275mm(d) Base dimensions: 800mm: 33.75" w x 3.5" h x 10.83" d 857mm(w) x 89mm(h) x 275mm(d) 920mm: 38.58" w x 3.5" h x 10.83" d 980mm(w) x 89mm(h) x 275mm(d)	Shipping dimensions - ships in one box 800mm: 42" l x 12" h x 5" d 1067mm(l) x 305mm(h) x 127mm(d) 920mm: 42" l x 12" h x 5" d 1067mm(l) x 305mm(h) x 127mm(d) Approximate shipping weight (w/o graphics): 800mm: 16 lbs / 7.26 kgs 920mm: 17 lbs / 7.71 kgs

additional information:

Graphic materials:
anti-curl vinyl, premium opaque fabric, melinex

Stand-off rectangle counter top is available in black thermoform.

Stand-off literature rack is available (L112-2 only)

Lumina 2 and LED Spot banner lighting options



Lumina 2



LED Spot

Graphic

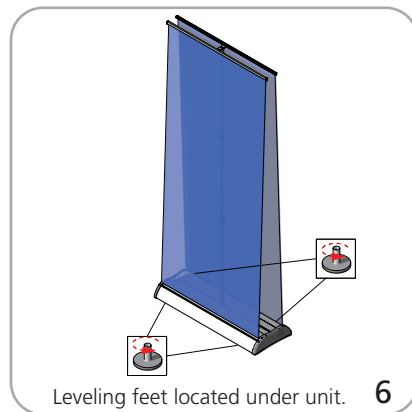
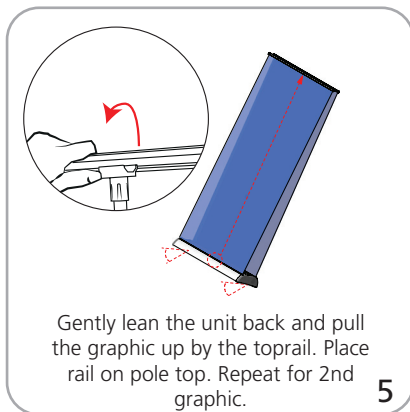
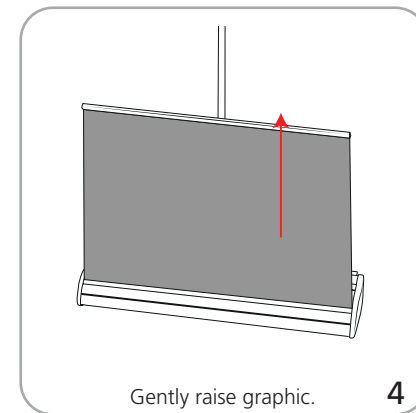
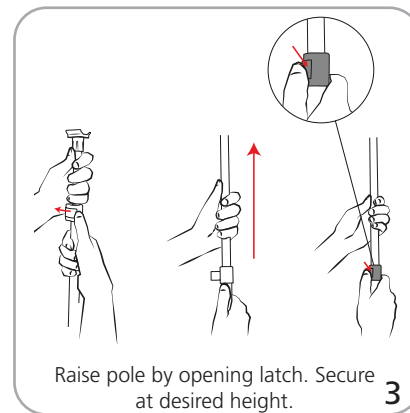
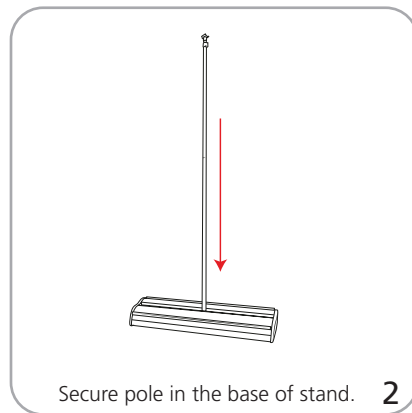
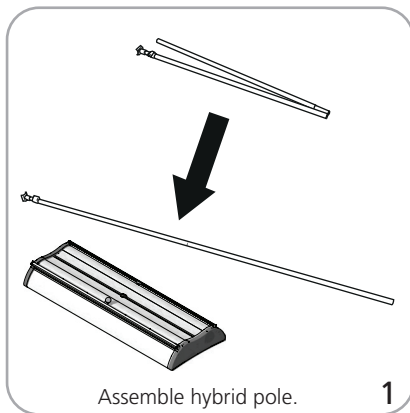
Refer to related graphic template for more information.

WARNING: Always attach graphic to base and top rail before removing the locking pin. After fitting, the graphic should be left for 24 hours before use to ensure the adhesive bonds sufficiently. Opening the base will invalidate the product warranty.

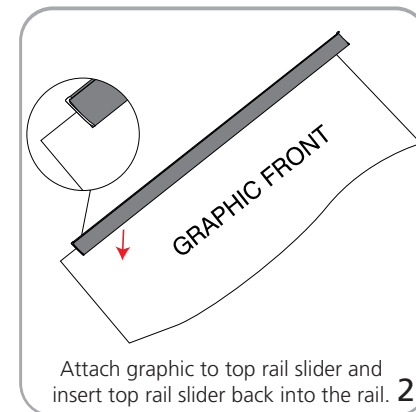
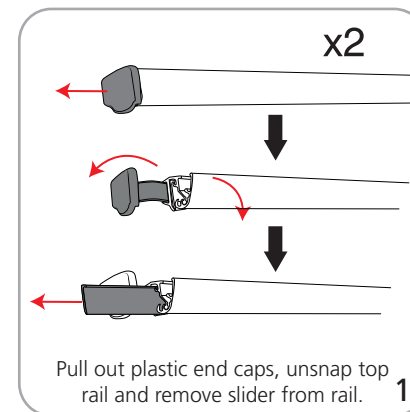
Graphic tension may be re-applied or added see visual instructions.

We are continually improving and modifying our product range and reserve the right to vary the specifications without prior notice. All dimensions and weights quoted are approximate and we accept no responsibility for variance. E&OE. See Graphic Templates for graphic bleed specifications.

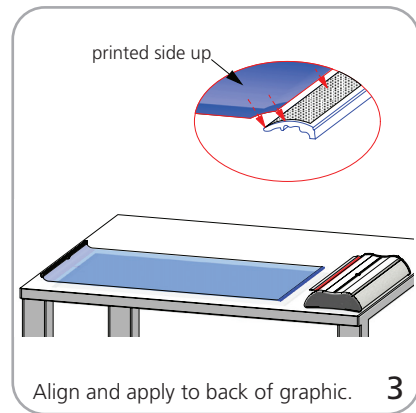
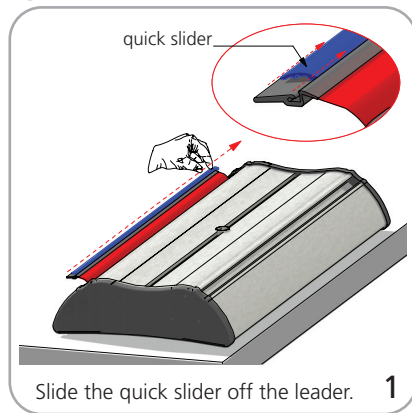
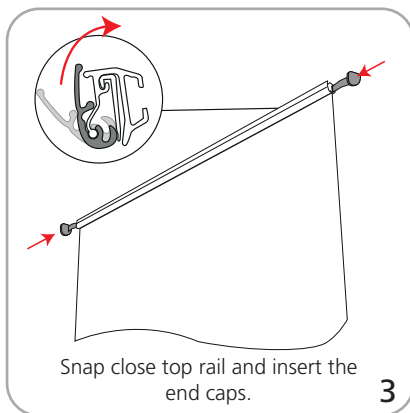
Set-up

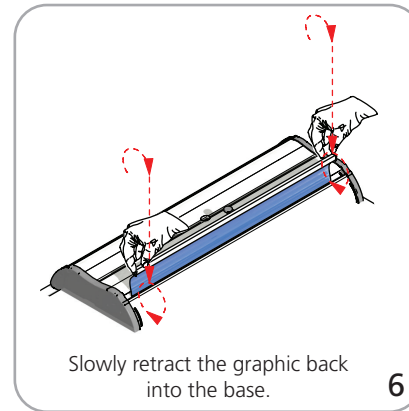
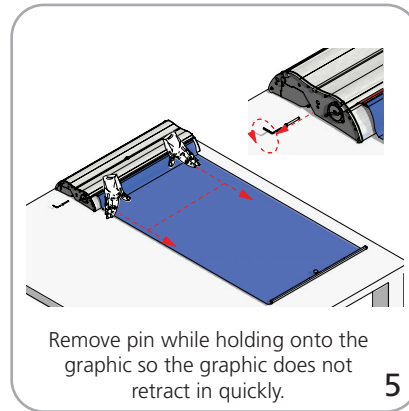
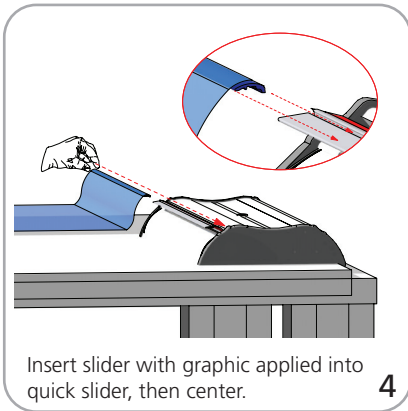


Graphic to top rail attachment



Quick slide base attachment





Tensioning graphic

