

Formulate Hanging Structure

When you are ready to draw serious attention to your booth, look to the skies with our beautiful, quick locking hanging structures. With 6 shapes to chose from and infinite design possibilites, hanging structures are the quickest, easiest, and best looking way to set yourself apart.



Features and Benefits

- Quick to set up
- Easy to store and ship
- Several shapes to choose from
- Collapses to a fraction of its size
- Has been engineer certified (structural engineer certificate availabe upon request)

Display Dimensions

Square:	8'10" x 4'high (2692.4mm x 1219.2mm)	50lbs (22.7kg)
Circle:	11' diameter x 4'high (3352.8mm x 1219.2)	64lbs (29 kg)
Triangle:	8'10" wide x 4'high (2692.4mm x 1219.2)	38lbs (17.2kg)
"S":	15'6" x 4'high (4724.4mm x 1219.2mm)	35lbs (15.9kg)
Shield:	103" x 48"high (2616.2mm x 1219.2mm)	42lbs (19.1kg)
Pinwheel:	107" x 48"high (2717.8mm x 1219.2mm)	46lbs (20.9kg)

Diameter of tubes: 1.2" (30mm)

Additional Information

Shipping Dimensions:
 Ships in an OCL Shipping Case: 56" x 18" x 18" (1422.4mm x 457.2mm x 457.2mm)
 *Must keep all packaging and continue to reuse it as it protects the formulate

Shipping Weight: Add 18lbs (8.2kg) to the weight of the structure

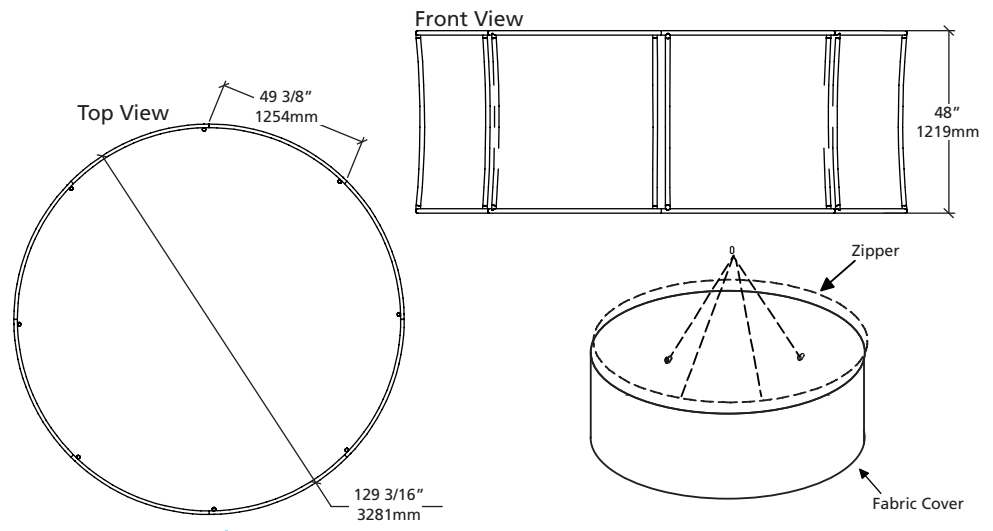
Visible Graphic Area:

Square:	106" x 48" (2692.4mm x 1219.2mm)
Circle:	406" x 48" (10312.4mm x 1219.2mm)
Triangle:	106" x 48" (2692.4mm x 1219mm)
"S":	207" x 48" (5257.8mm x 1219mm)
Shield:	106" x 48" (2692.4mm x 1219.2mm)
Pinwheel:	101.5" x 48" (2578.1mm x 1219.2mm)

Graphic Information:
 Material Used: Power Stretch
 Liner for fabric is available

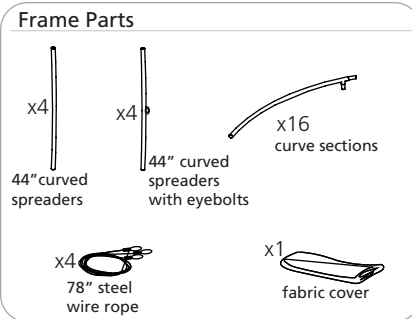
We are continually improving and modifying our product range and reserve the right to vary the specifications without prior notice. All dimensions and weights quoted are approximate and we accept no responsibility for variance. E&OE. See Graphic Templates for graphic bleed specifications.

Circle Technical Specifications



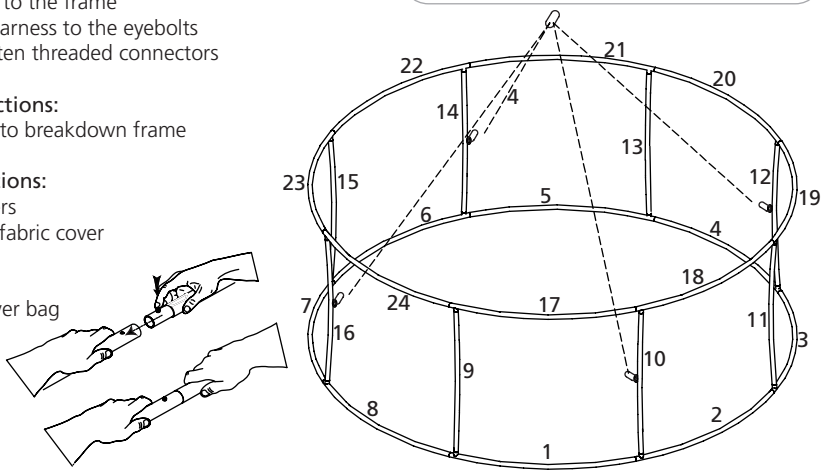
Circle Assembly Instructions

- Set Up Instructions:**
1. Connect bottom and top rails following the labels
 2. Connect side rails
 3. Clean the frame and place on clean surface
 4. Carefully remove fabric cover from bag
 5. Place cover around the bottom of the frame
 6. Pull cover carefully up to the top making sure holes are aligned with eyebolts
 7. Close all zippers
 8. Adjust fabric around the frame
 9. Connect eyebolts to the frame
 10. Connect cable harness to the eyebolts
 11. Completely tighten threaded connectors

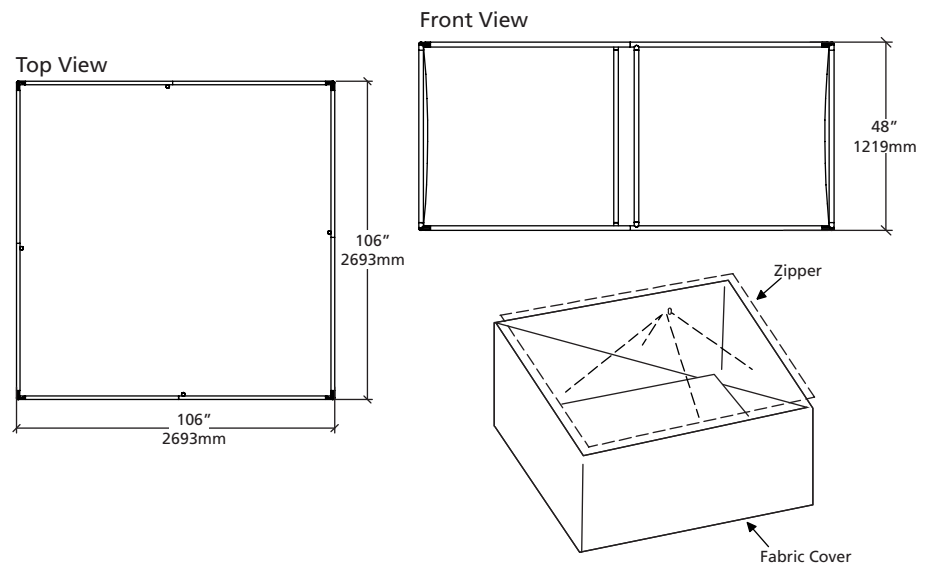


- Break Down Instructions:**
Reverse set-up steps to breakdown frame

- Fabric Care Instructions:**
1. Unzip cover zippers
 2. Carefully remove fabric cover
 3. Close all zippers
 4. Fold or roll neatly
 5. Place fabric in cover bag

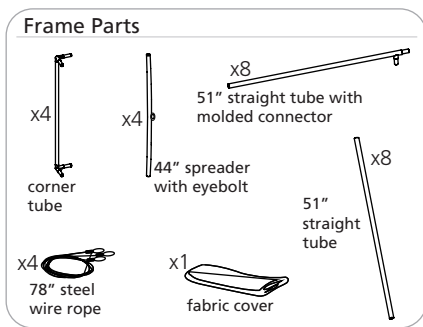


Square Technical Specifications



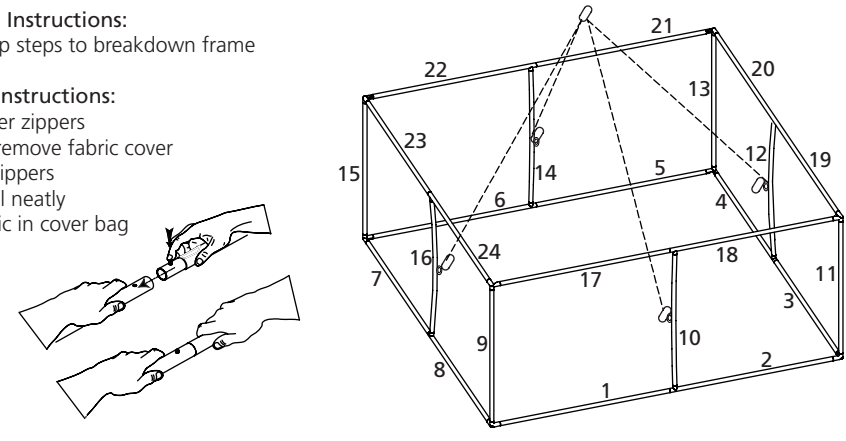
Square Assembly Instructions

- Set Up Instructions:**
1. Connect bottom and top rails following the labels
 2. Connect side rails
 3. Clean the frame and place on clean surface
 4. Carefully remove fabric cover from bag
 5. Place cover around the bottom of the frame
 6. Pull cover carefully up to the top making sure holes are aligned with eyebolts
 7. Close all zippers
 8. Adjust fabric around the frame
 9. Connect eyebolts to the frame
 10. Connect cable harness to the eyebolts
 11. Completely tighten threaded connectors

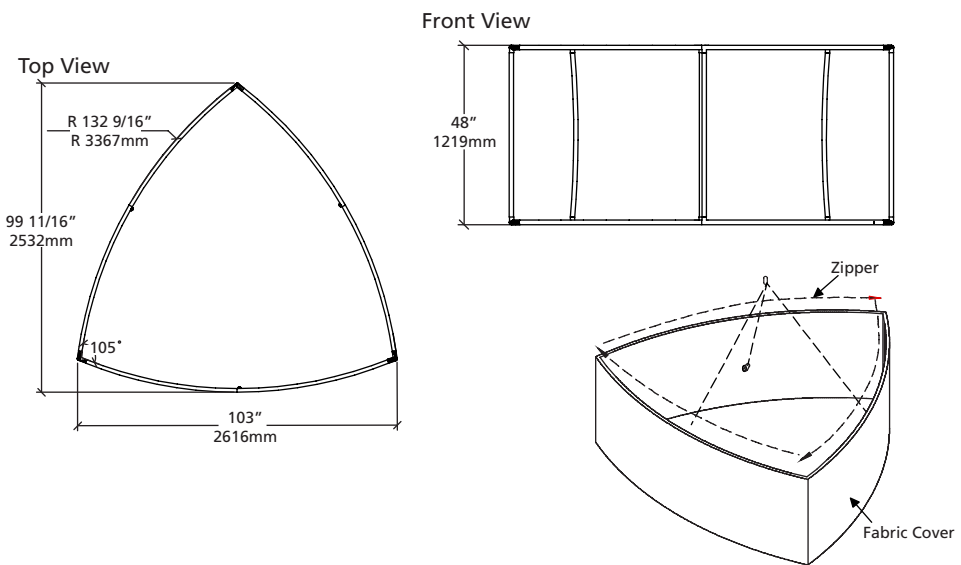


- Break Down Instructions:**
Reverse set-up steps to breakdown frame

- Fabric Care Instructions:**
1. Unzip cover zippers
 2. Carefully remove fabric cover
 3. Close all zippers
 4. Fold or roll neatly
 5. Place fabric in cover bag



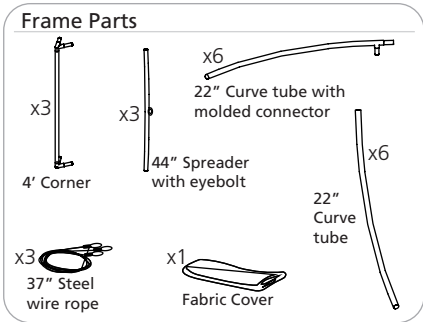
Shield Technical Specifications



Shield Assembly Instructions

Set Up Instructions:

1. Connect bottom and top rails following the labels
2. Connect side rails
3. Clean the frame and place on clean surface
4. Carefully remove fabric cover from bag
5. Place cover around the bottom of the frame
6. Pull cover carefully up to the top making sure holes are aligned with eyebolts
7. Close all zippers
8. Adjust fabric around the frame
9. Connect eyebolts to the frame
10. Connect cable harness to the eyebolts
11. Completely tighten threaded connectors

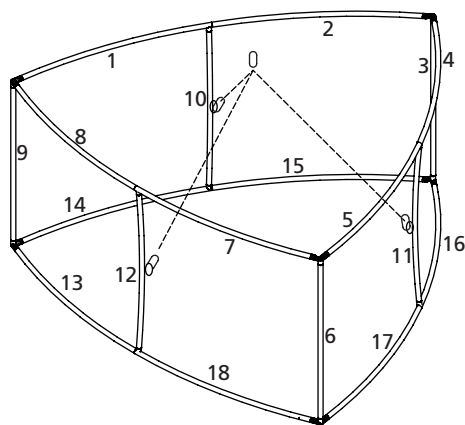
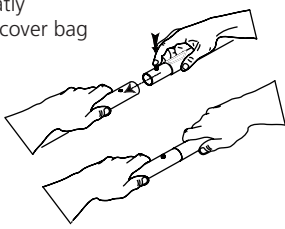


Break Down Instructions:

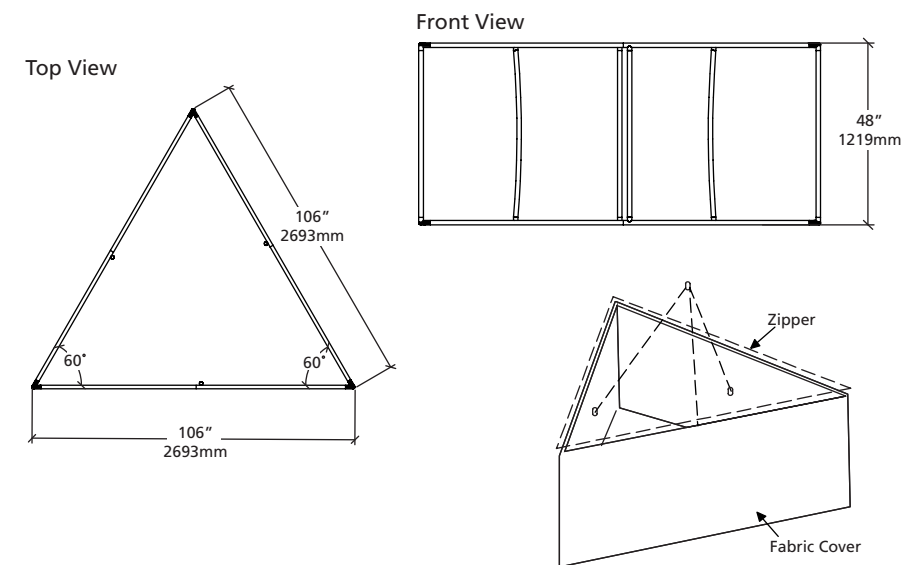
Reverse set-up steps to breakdown frame

Fabric Care Instructions:

1. Unzip cover zippers
2. Carefully remove fabric cover
3. Close all zippers
4. Fold or roll neatly
5. Place fabric in cover bag



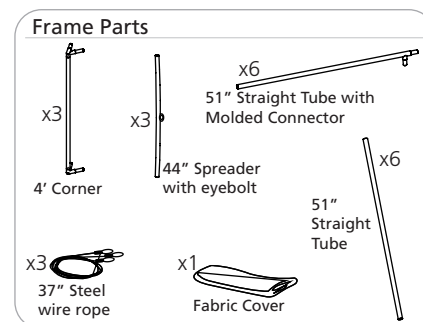
Triangle Technical Specifications



Triangle Assembly Instructions

Set Up Instructions:

1. Connect bottom and top rails following the labels
2. Connect side rails
3. Clean the frame and place on clean surface
4. Carefully remove fabric cover from bag
5. Place cover around the bottom of the frame
6. Pull cover carefully up to the top making sure holes are aligned with eyebolts
7. Close all zippers
8. Adjust fabric around the frame
9. Connect eyebolts to the frame
10. Connect cable harness to the eyebolts
11. Completely tighten threaded connectors

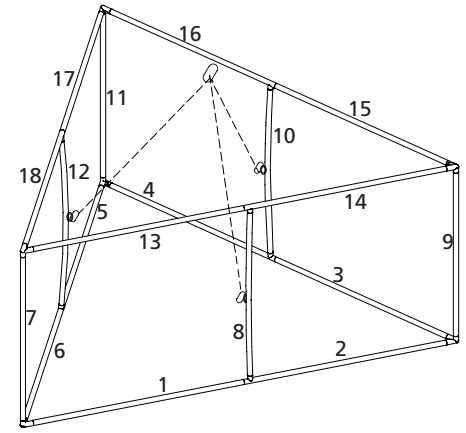
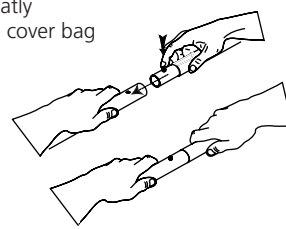


Break Down Instructions:

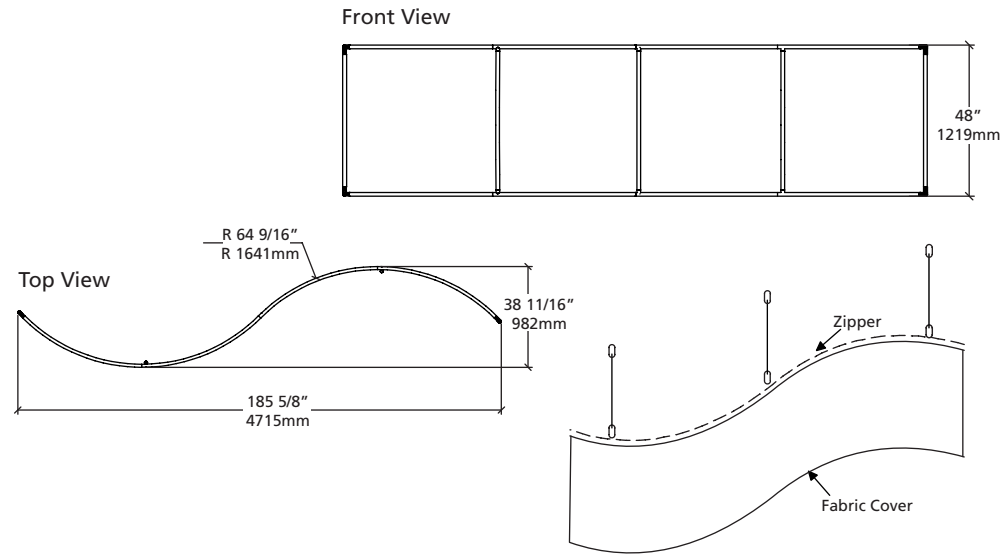
Reverse set-up steps to breakdown frame

Fabric Care Instructions:

1. Unzip cover zippers
2. Carefully remove fabric cover
3. Close all zippers
4. Fold or roll neatly
5. Place fabric in cover bag



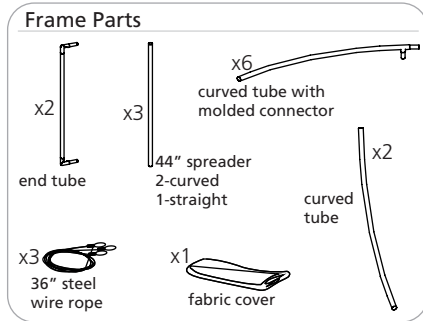
"S" Technical Specifications



"S" Assembly Instructions

Set Up Instructions:

1. Connect bottom and top rails following the labels
2. Connect side rails
3. Clean the frame and place on clean surface
4. Carefully remove fabric cover from bag
5. Place cover around the bottom of the frame
6. Pull cover carefully up to the top making sure holes are aligned with eyebolts
7. Close all zippers
8. Adjust fabric around the frame
9. Connect eyebolts to the frame
10. Connect cable harness to the eyebolts
11. Completely tighten threaded connectors

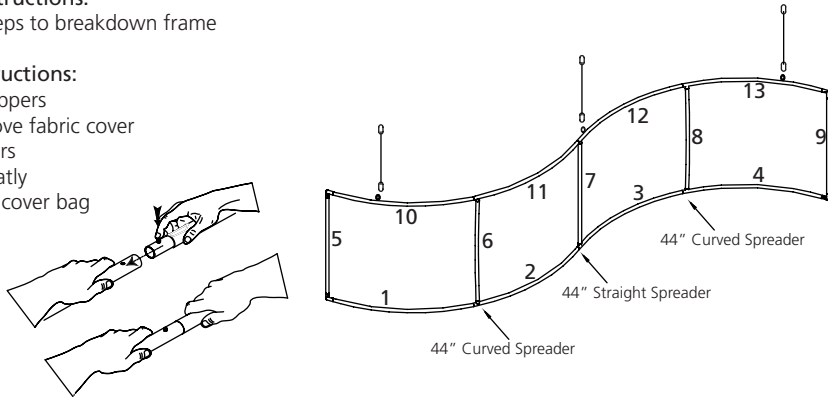


Break Down Instructions:

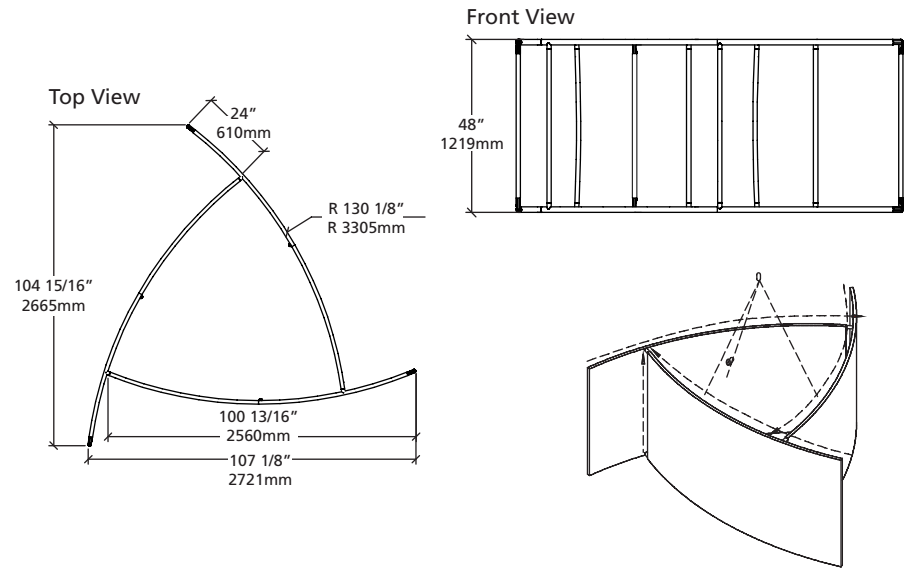
Reverse set-up steps to breakdown frame

Fabric Care Instructions:

1. Unzip cover zippers
2. Carefully remove fabric cover
3. Close all zippers
4. Fold or roll neatly
5. Place fabric in cover bag



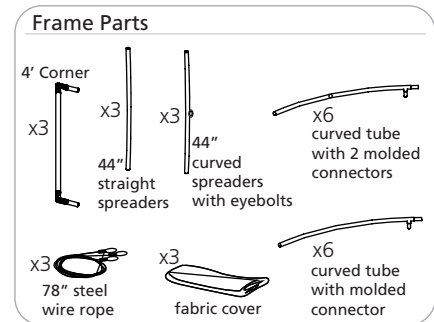
Pinwheel Technical Specifications



Pinwheel Assembly Instructions

Set Up Instructions:

1. Connect bottom and top rails following the labels
2. Connect side rails
3. Clean the frame and place on clean surface
4. Carefully remove fabric cover from bag
5. Place cover around the bottom of the frame
6. Pull cover carefully up to the top making sure holes are aligned with eyebolts
7. Close all zippers
8. Adjust fabric around the frame
9. Connect eyebolts to the frame
10. Connect cable harness to the eyebolts
11. Completely tighten threaded connectors



Break Down Instructions:

Reverse set-up steps to breakdown frame

Fabric Care Instructions:

1. Unzip cover zippers
2. Carefully remove fabric cover
3. Close all zippers
4. Fold or roll neatly
5. Place fabric in cover bag

