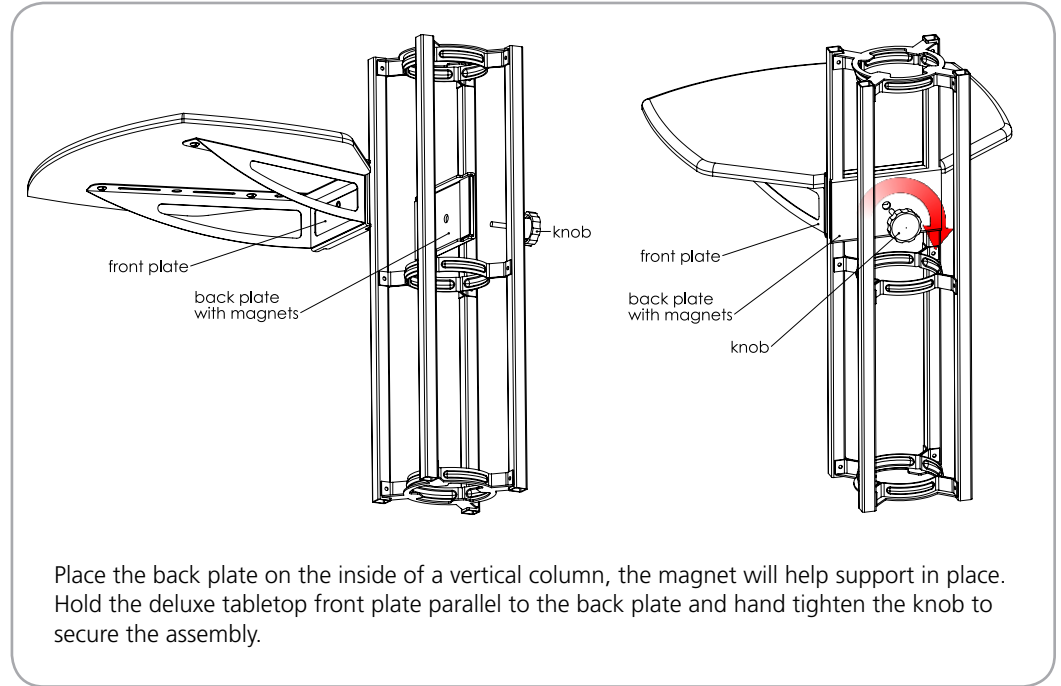
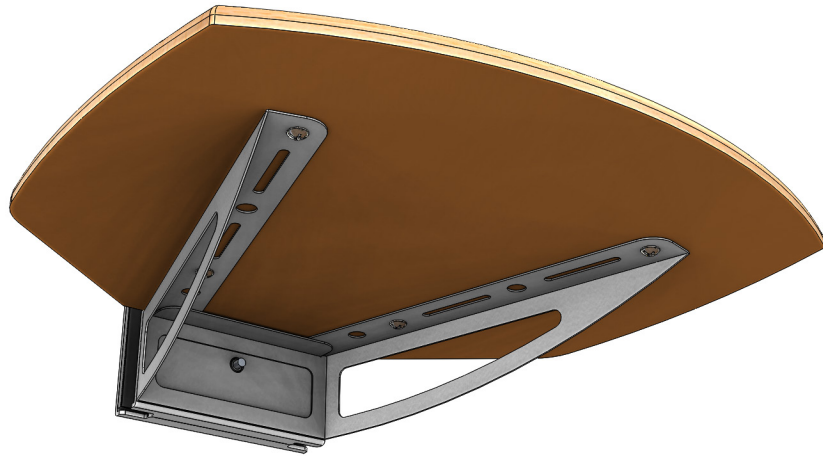


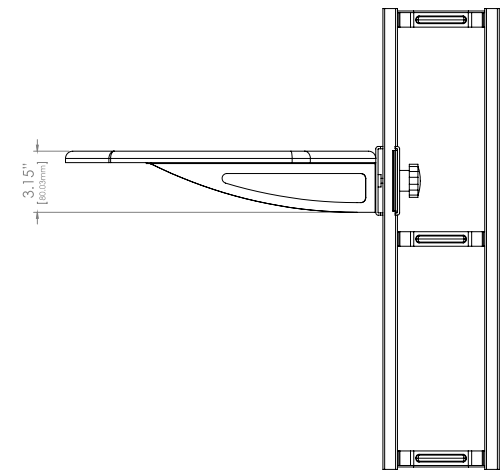
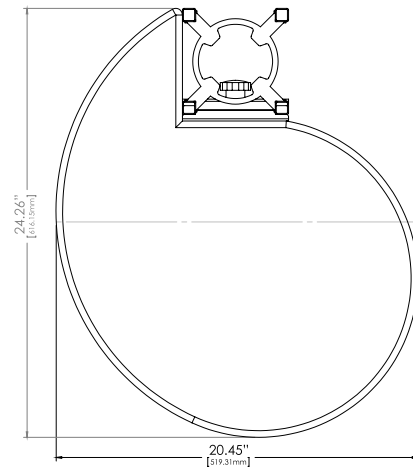
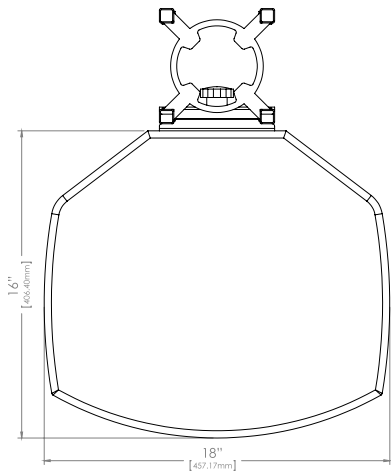
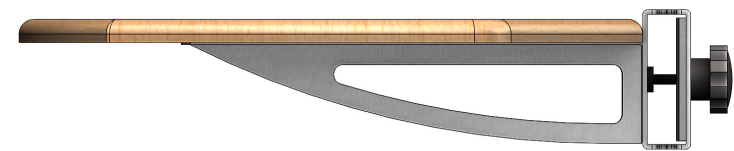
# Orbital Shelf Support

OR-SS

Maximum distributed weight per shelf is 25 lbs.



Place the back plate on the inside of a vertical column, the magnet will help support in place. Hold the deluxe tabletop front plate parallel to the back plate and hand tighten the knob to secure the assembly.



We are continually improving and modifying our product range and reserve the right to vary the specifications without prior notice. All dimensions and weights quoted are approximate and we accept no responsibility for variance. E&OE. See Graphic Templates for graphic bleed specifications.