

CASITA CANOPY TENTS™ 15FT UV PRINT

OUTDOOR BANNER STAND

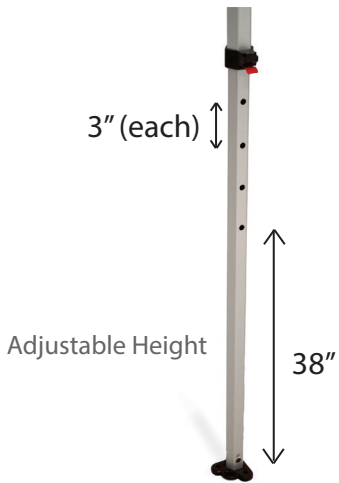
PRODUCT CODE: CAS-CST15UV



on frame



on graphic



Water Resistance



Stakes



Optional Sand Bag



Rope



Travel Bag w/wheels (option)



Nylon Travel Bag



Optional La Caja Hardcase

PRODUCT DESCRIPTION

Our Casita Canopy Tents™ are an excellent way to provide shade during outdoor and indoor events. This canopy is a 15' x 10' size and is available in custom UV print, which has a high quality finish with vivid color. Set up is quick, easy, and user friendly. Telescopic legs snap into place offering a range of heights. This lightweight system includes a protective dust cover to use while in storage.

DISPLAY DIMENSIONS	176"W x 135"H x 118.75"D
GRAPHIC SIZE	Canopy: 176"W x 89"H Back Wall: 117"W x 79"H Half Wall: 117"W x 40.5"H

GRAPHIC MATERIAL

UV Fabric (water resistant)

GRAPHIC FINISHING

Hemmed around sides

DISPLAY CONSTRUCTION

Aluminum frame (Hex leg thickness: 50mm)

SHIPPING WEIGHTS & DIMENSIONS

Shipping Weight	50 lbs (frame only) 56 lbs (frame and graphic)
Shipping Dimensions	62"H x 10"W x 13"D (over size)

LARGE QUANTITY FREIGHT

Freight Shipping	16 boxes per 48"L x 40"W x 67"H skid
Freight Weight	845 lbs (frame only) 941 lbs (frame & graphic)

GRAPHIC TURN AROUND TIME

4 business days after proof approval

AVAILABLE ACCESSORIES

Rope	Sand Bag
Stakes	La Caja Hard Case
Flag Holder	Travel Bag Wheels

AVAILABILITY CA Only

WIND RATING 20 mph

PARTS LIST



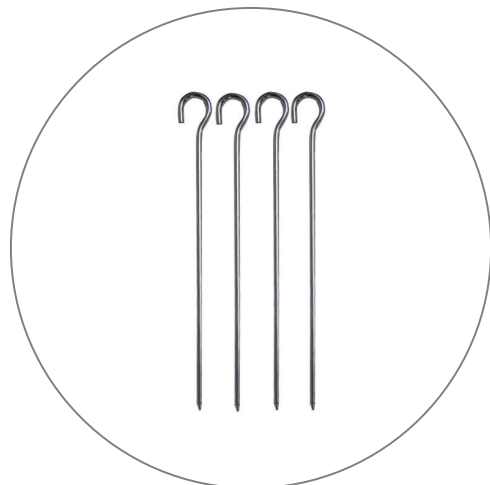
(qty 1) Canopy Frame



(qty 1) Rope



(qty 1) Travel Bag



(qty 8) Stakes



(qty 1) Bag for Rope & Stakes

CASITA CANOPY TENTS™ 15FT UV PRINT

OUTDOOR BANNER STAND

PRODUCT CODE: CAS-CST15UV

SET UP INSTRUCTIONS

(5FT CANOPY SHOWN BELOW)

Step 1

Take your frame and slightly expand it open to expose the corner bars.



Step 2

Take your canopy graphic and place it on top of the frame.



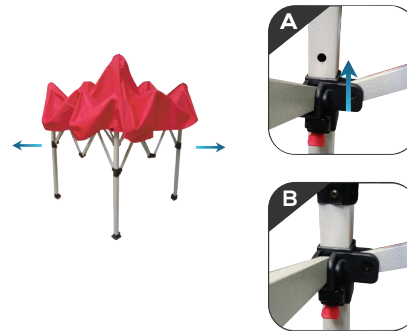
Step 3

Adhere each corner of the canopy to each corner of the frame. Inside each corner of the canopy, there is a strip of loop Velcro sewn to it and each corner of the frame has a strip of hook Velcro.



Step 4

With the canopy securely in position, expand the frame until the corner latches lock into place.



Step 5

Increase the height by extending the lower legs.



Step 6

Pull each leg down until the latch locks into place.



Step 7

Locate the spindle under the canopy, in the middle of the frame. Pull the lever out and rotate to extend the upper peak pole. The dome cap will push out the canopy creating tension to flush out any loose areas.



Step 8

The install is complete.

