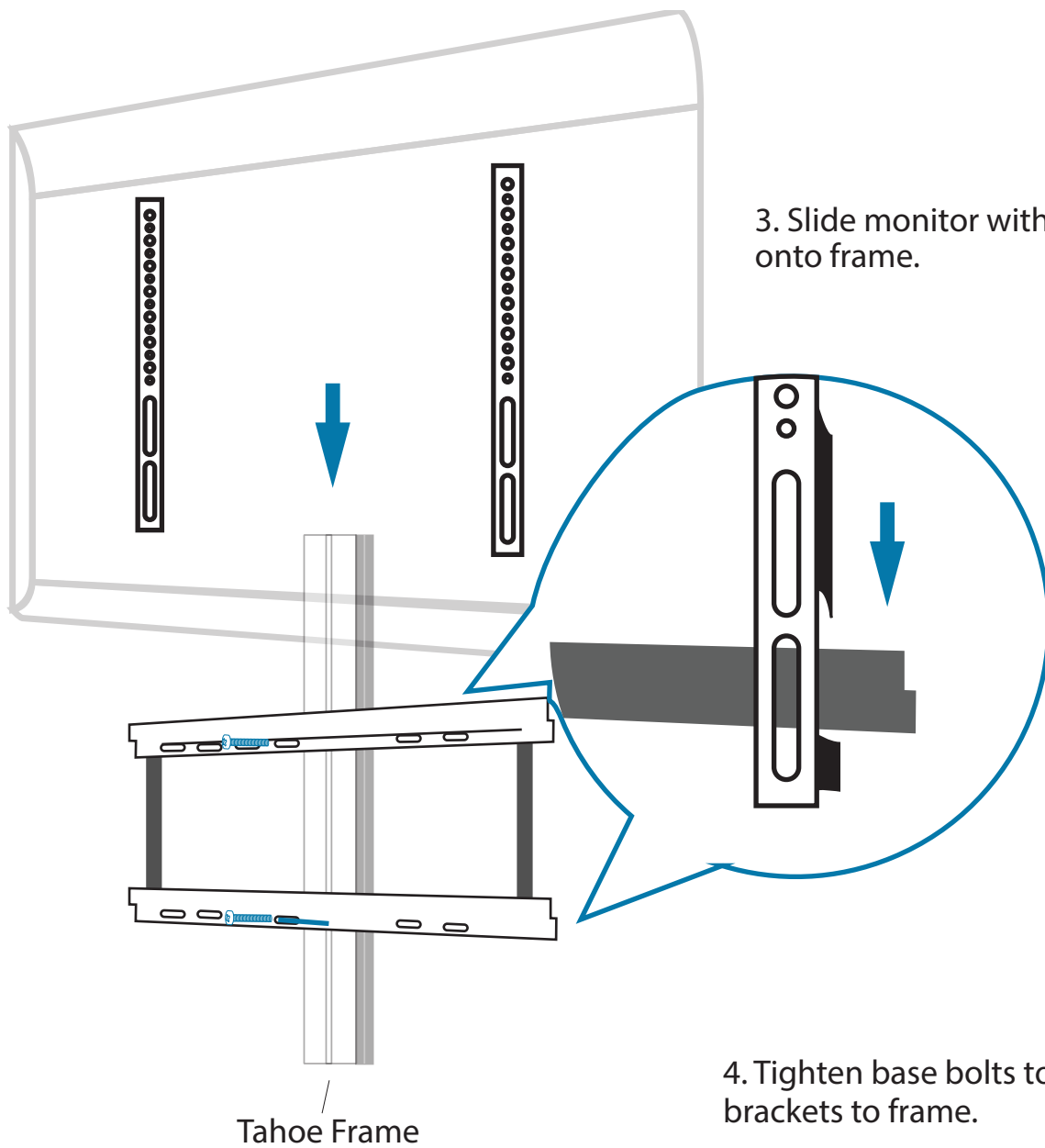
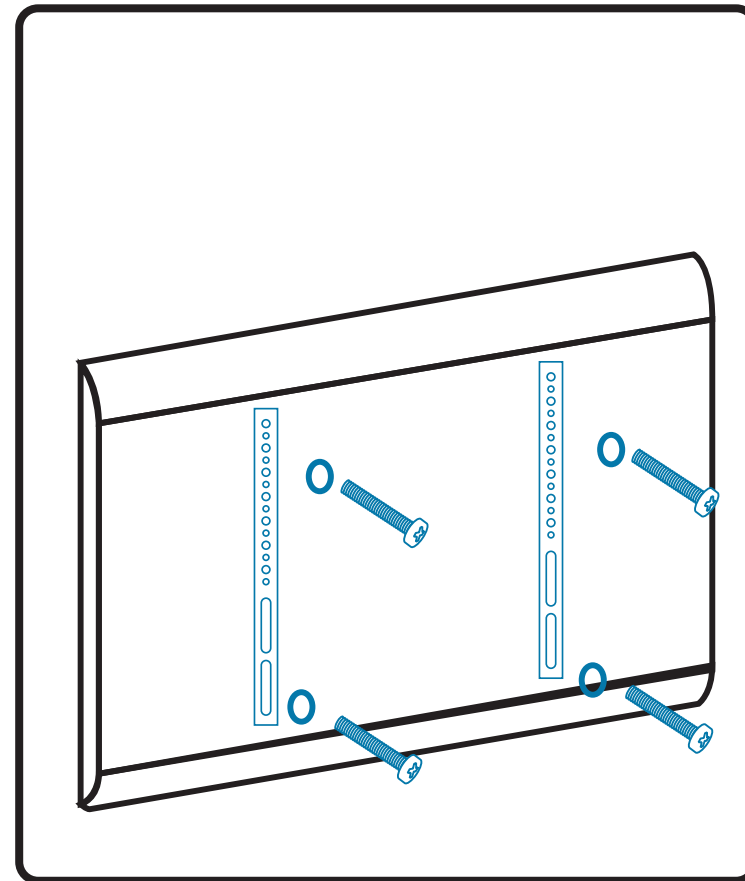
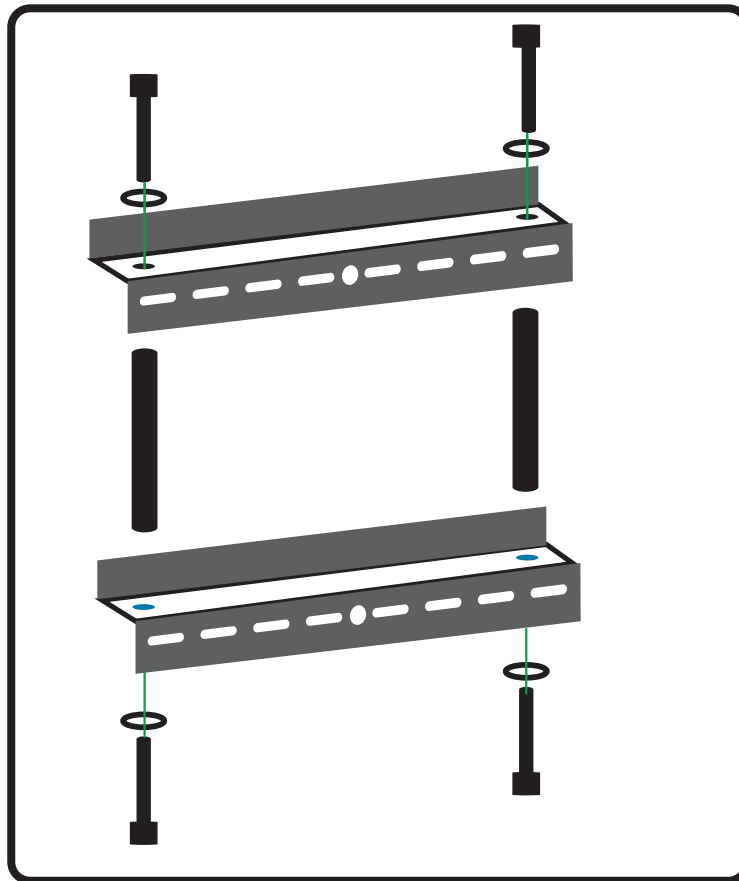
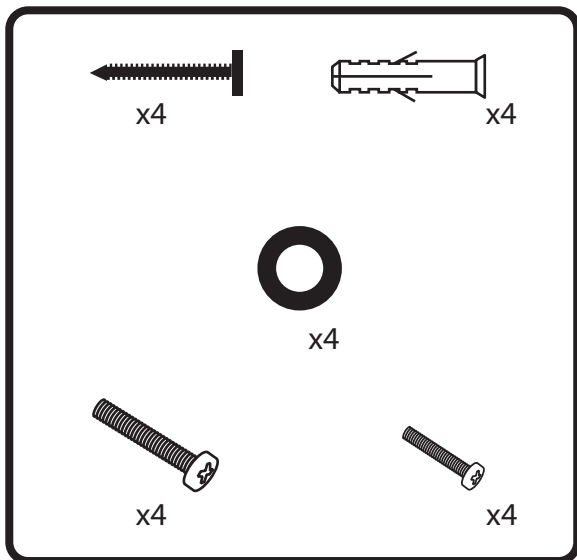


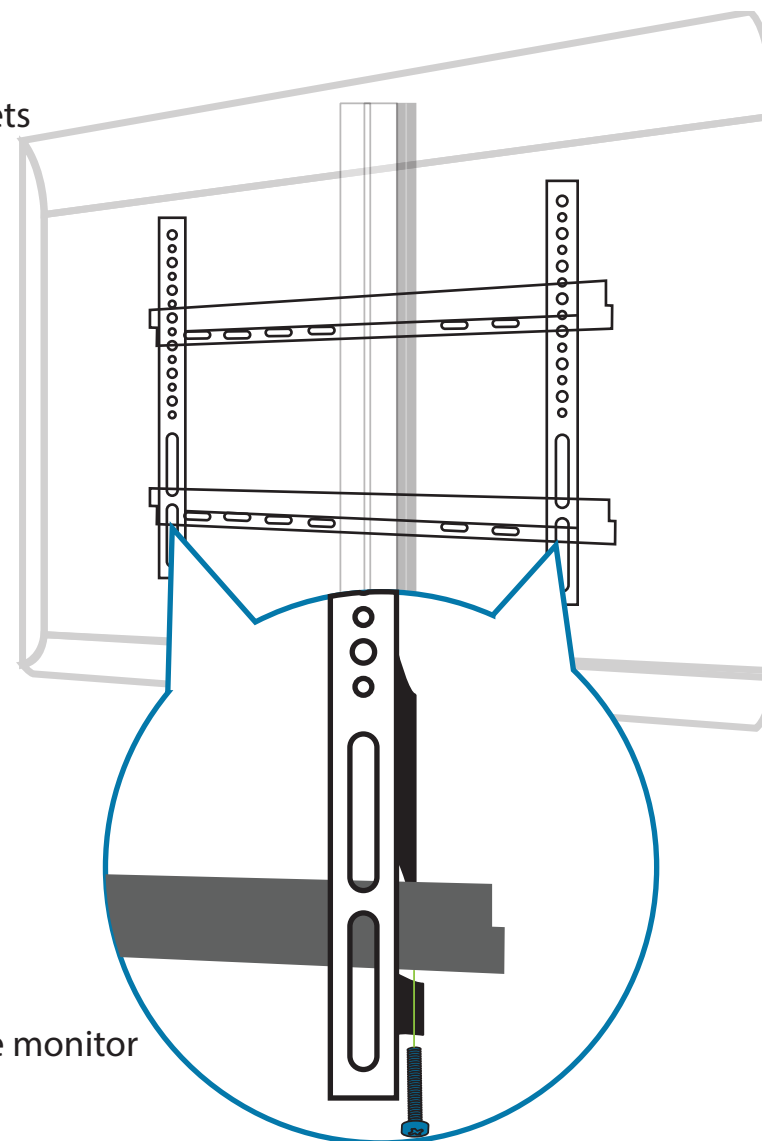
Tahoe Twist Lock
Small TV/LCD System - Instructions
TTL-LCD1

1. Put together frame and attach to Tahoe base pole.

2. Attach monitor brackets to monitor.



3. Slide monitor with brackets onto frame.



4. Tighten base bolts to secure monitor brackets to frame.