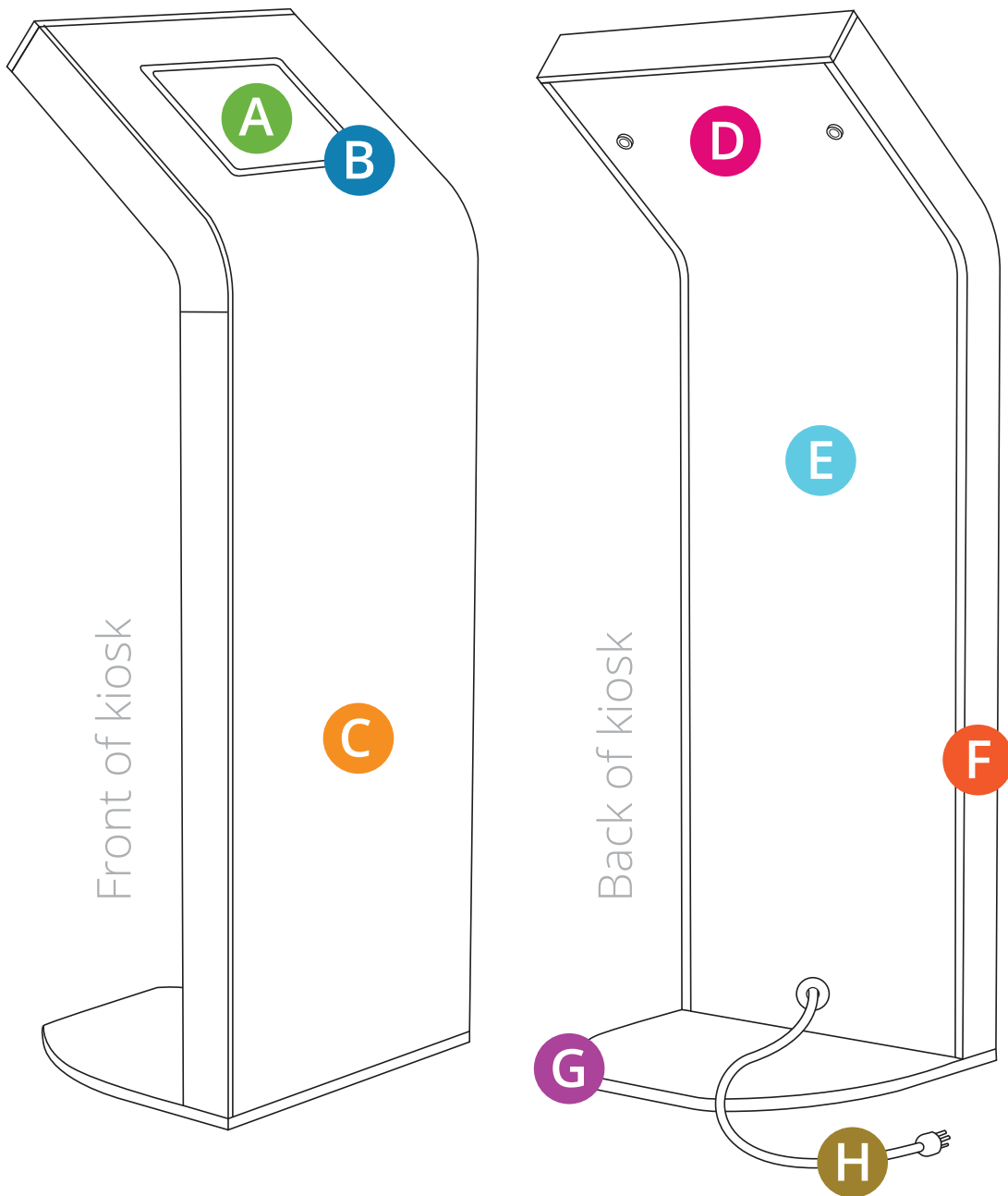
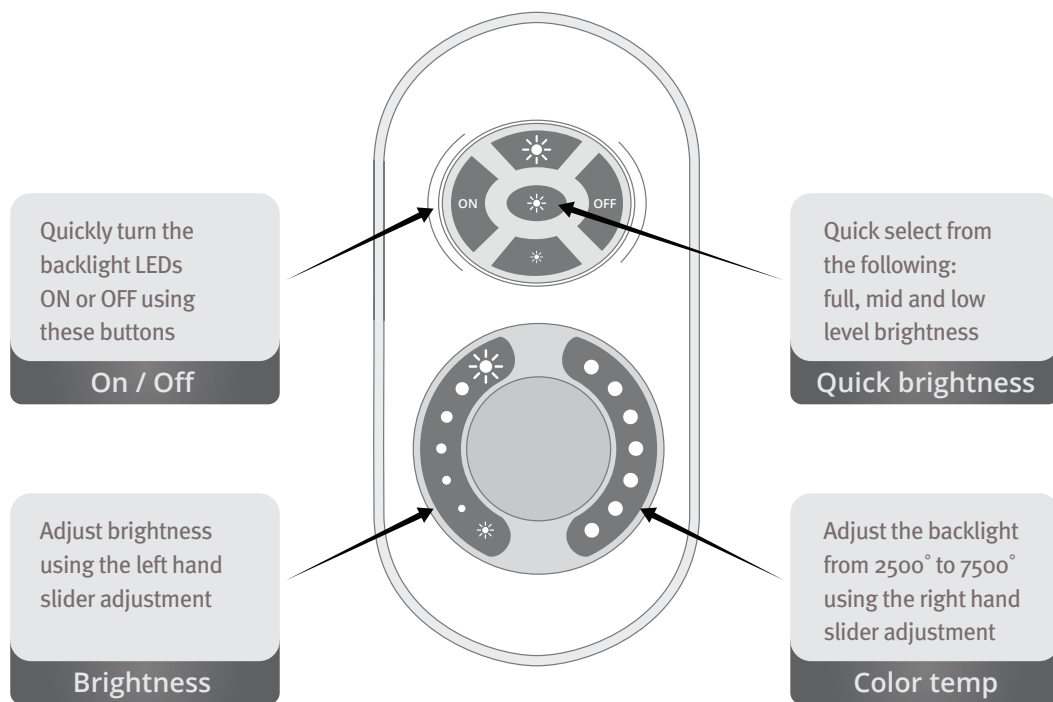


# Assembly Guide



## The backlight remote control



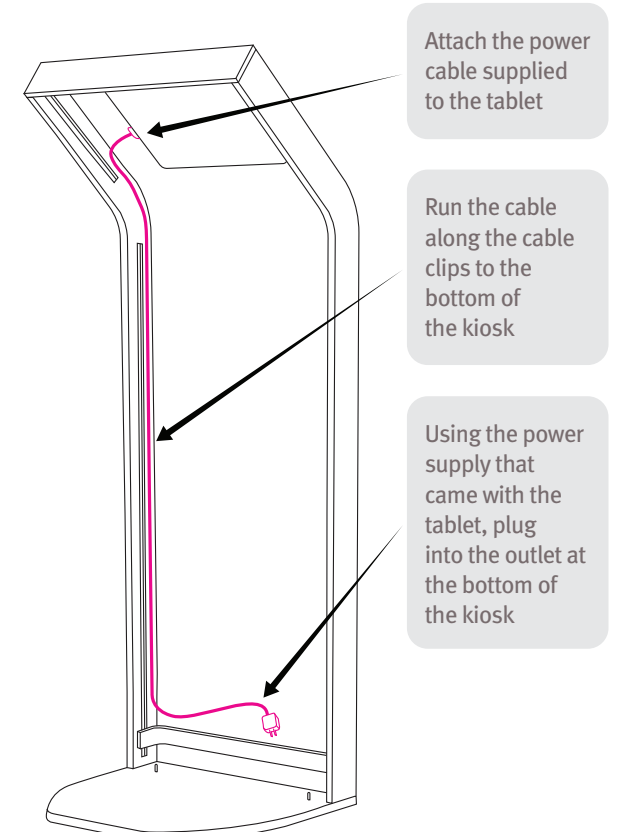
## Unpacking AURA

- 01 Once the crate side has been removed, carefully unscrew the four screws holding the base plate onto the crate bottom
- 02 Lift the AURA from the crate, carefully removing it from the enclosure
- 03 Remove the plastic covering that protects the AURA during shipping (*do not use any sharp tools as to not damage the surface finish on the kiosk*)
- 04 Check all outer finishes to ensure no damage occurred during shipping
- 05 Proceed to Step#1 on the back of this sheet, skipping 1B and removing all orange tape pieces (*which are added to keep parts from shifting during shipping*)
- 06 Your graphic (*if ordered*) comes with a protective plastic cover, please remove before using the kiosk

## Getting to know AURA

- A Tablet opening
- B Tablet frame
- C Magnetic graphic panel
- D Keyed locks
- E Back panel
- F Side rails
- G Base plate
- H 120V grounded plug

## Powering your tablet



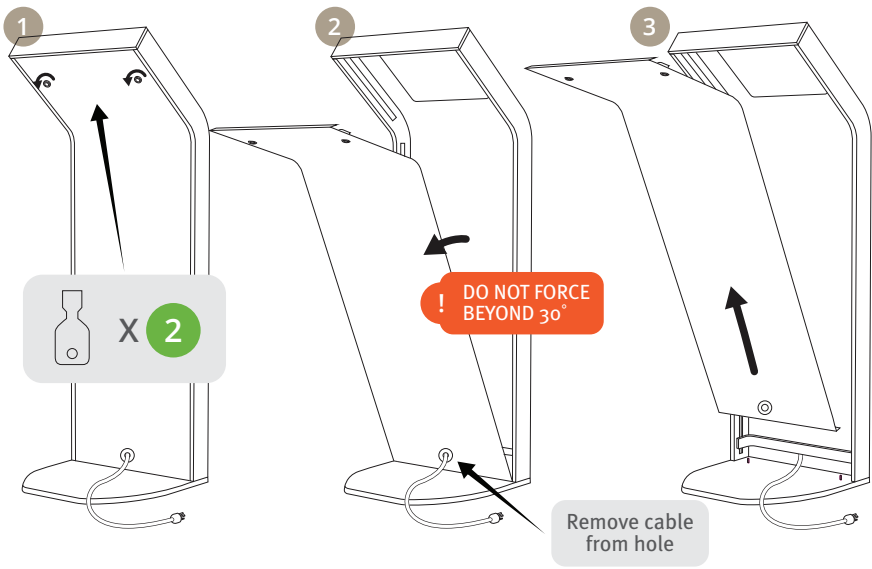
Warranty & other information available at: [armodilo.com](http://armodilo.com)

AURA™  
x armodilo

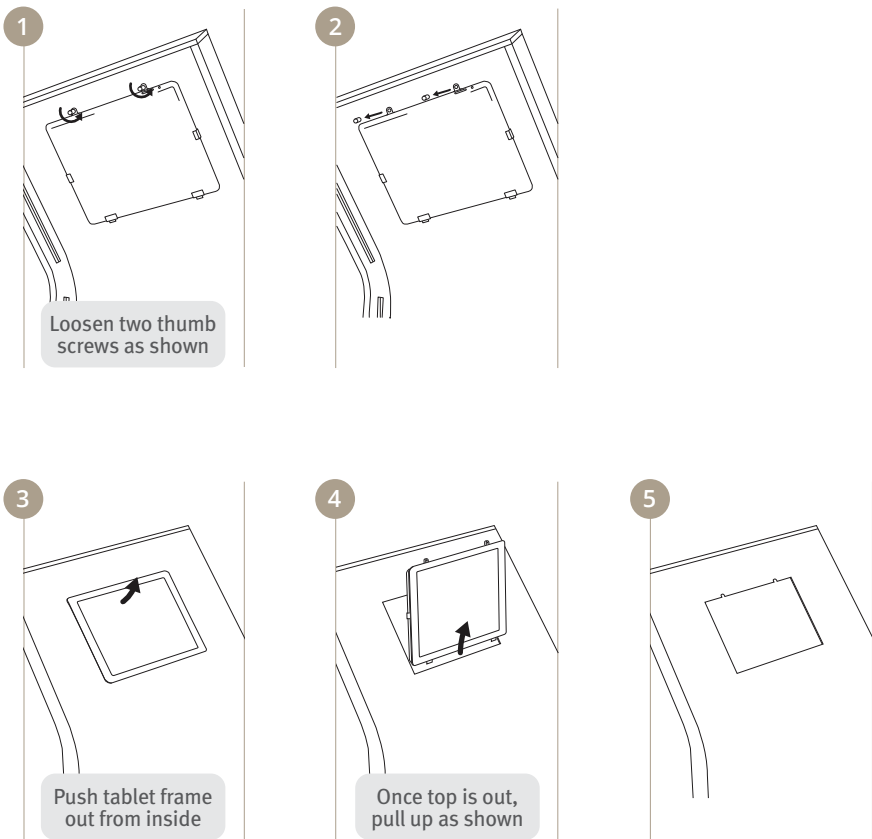
# 1 OPEN

Opening the kiosk, removing the tablet and graphic panel

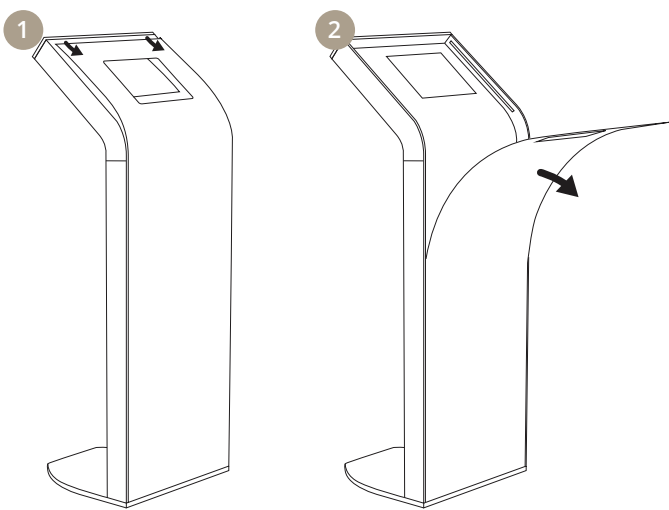
## A) Unlocking & opening AURA



## B) Removing the tablet frame



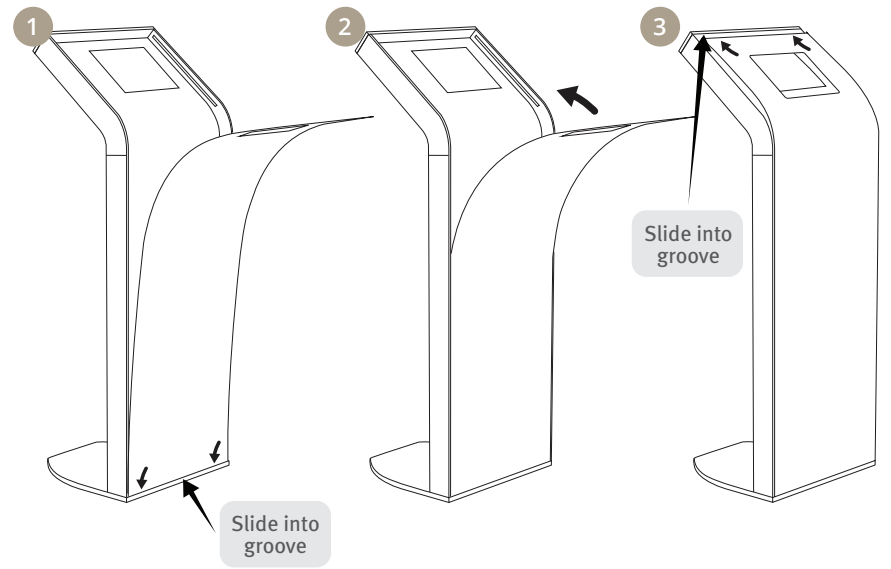
## C) Removing the magnetic graphic panel



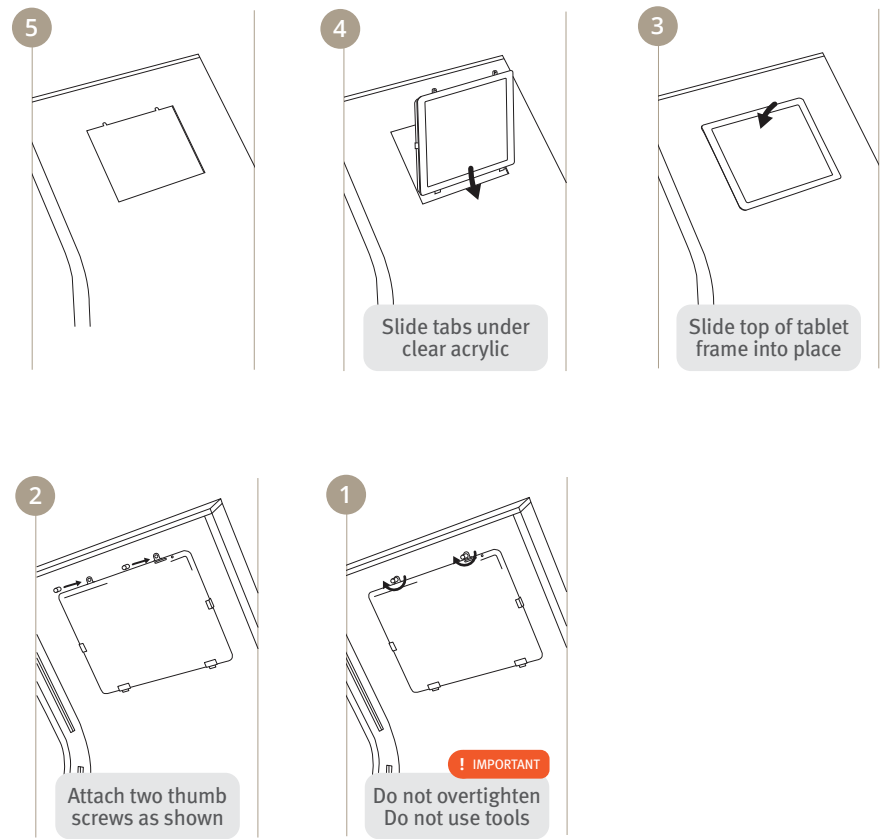
# 2 CLOSE

Adding graphic panel, the tablet and closing the kiosk

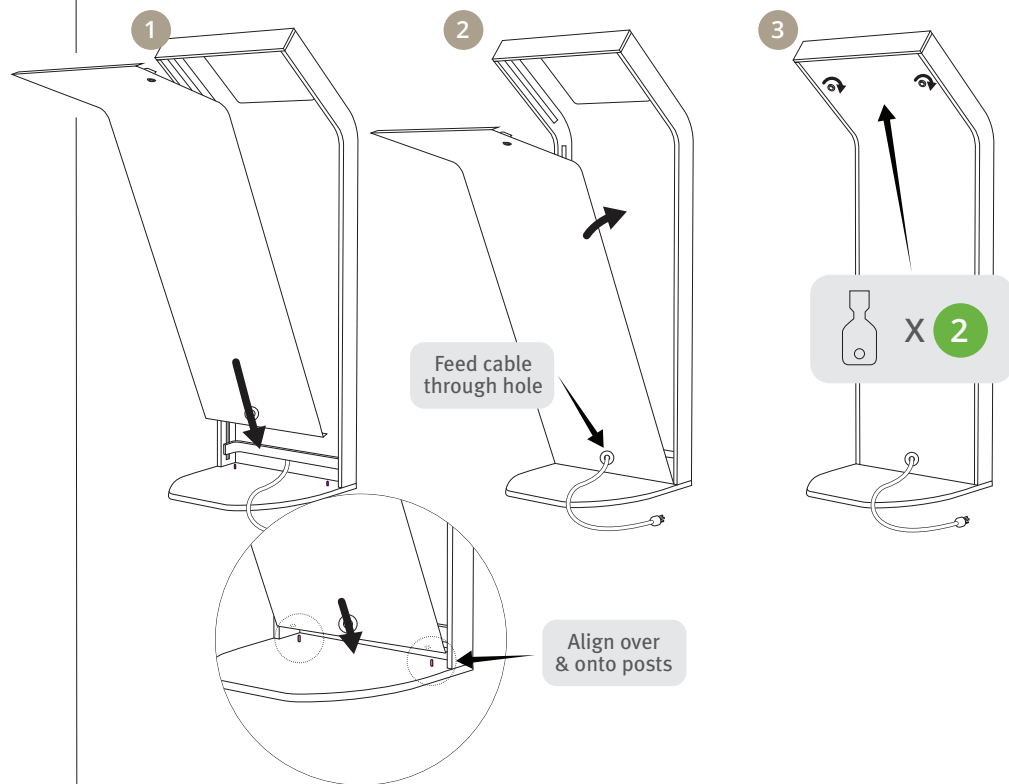
## A) Adding the magnetic graphic panel



## B) Adding the tablet frame



## C) Closing & locking AURA



Warranty & other information available at: [armodilo.com](http://armodilo.com)

AURA™  
x armodilo