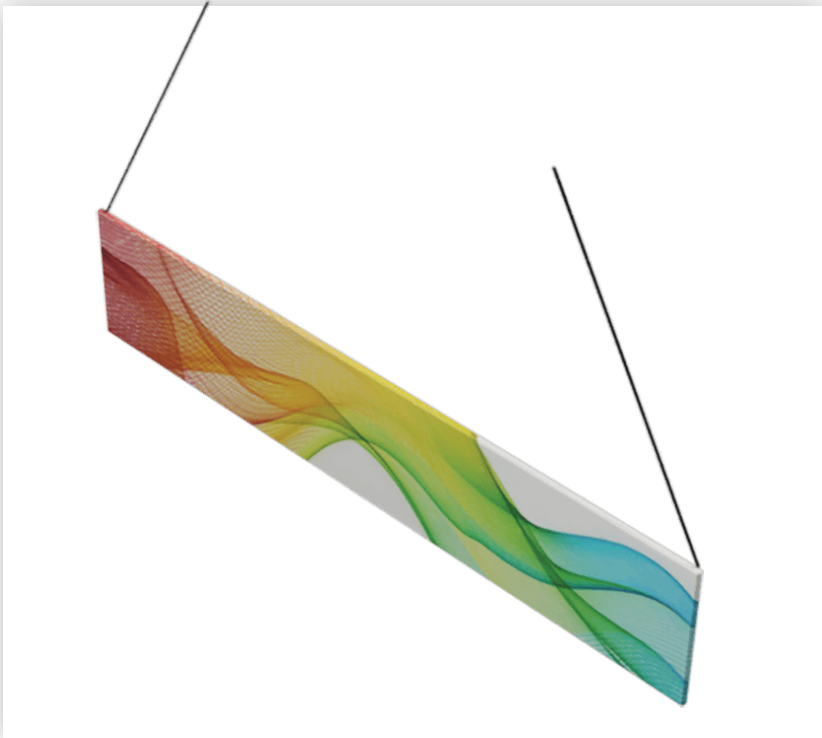
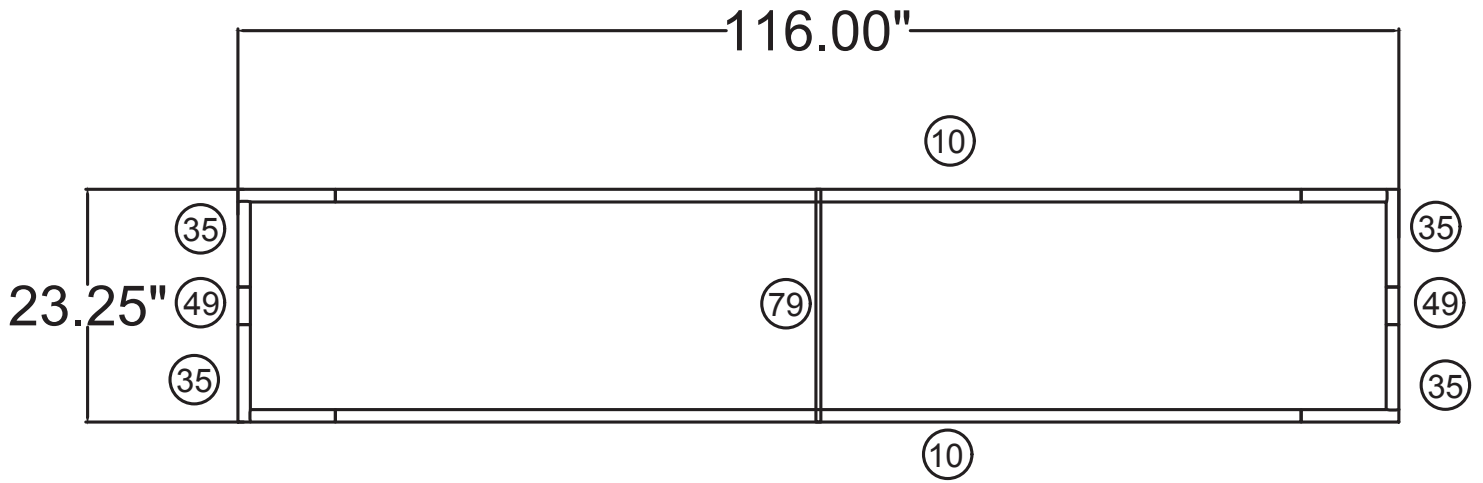


WAVELINE®

10'w x 2'h WL Hanging Sign



FHS1024

10'w x 2'h WL Hanging Sign	
Qty.	Part Number
4	WLM#035
2	WLM#049
1	WLM#079
2	WLM#010
1	BGO BAG-L

Notes:

- * Does not include Hanging Cables
- * will fit inside CA600 or CA900 case