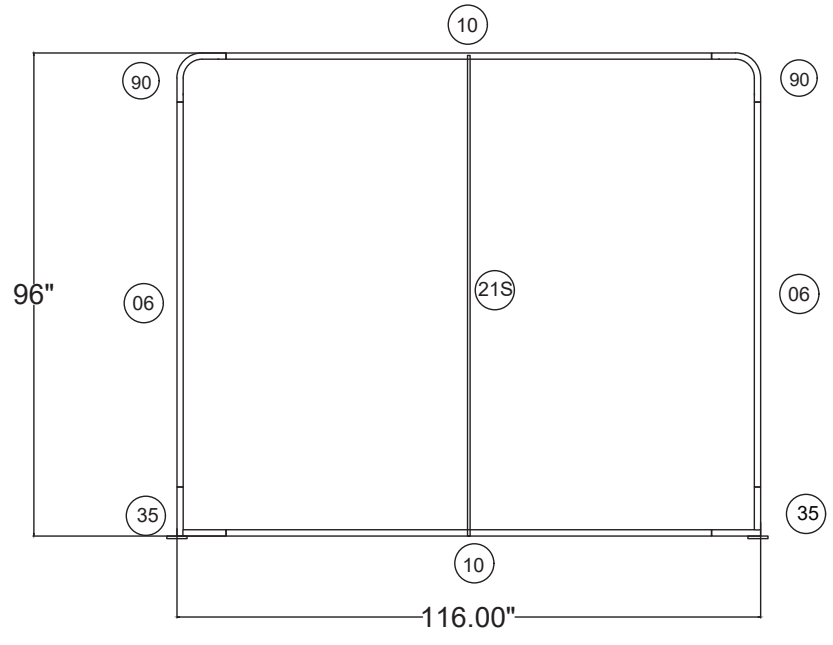
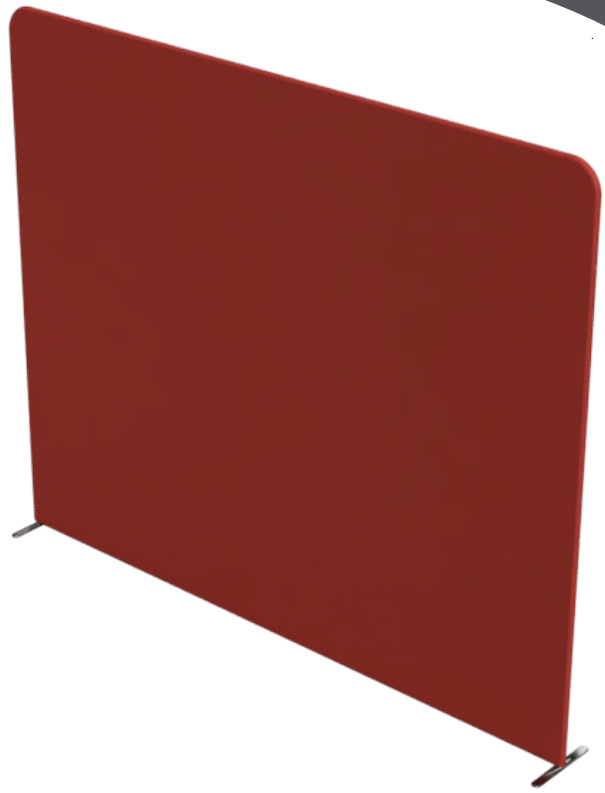
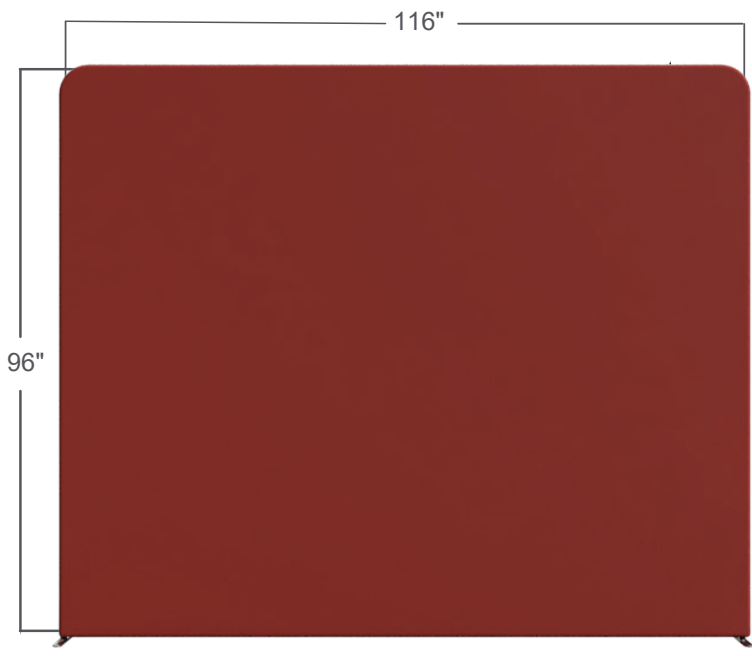


WAVELINE®
WLM 2000V



WLM-2000V

10'w x 8'h Flat Waveline	
Qty.	Part Number
2	WLM#10
2	WLM#35
2	WLM#090
2	WLM#06
1	WLM#21S
1	WLM COTTON BAG
2	WLM#023
2	WLM#022E