

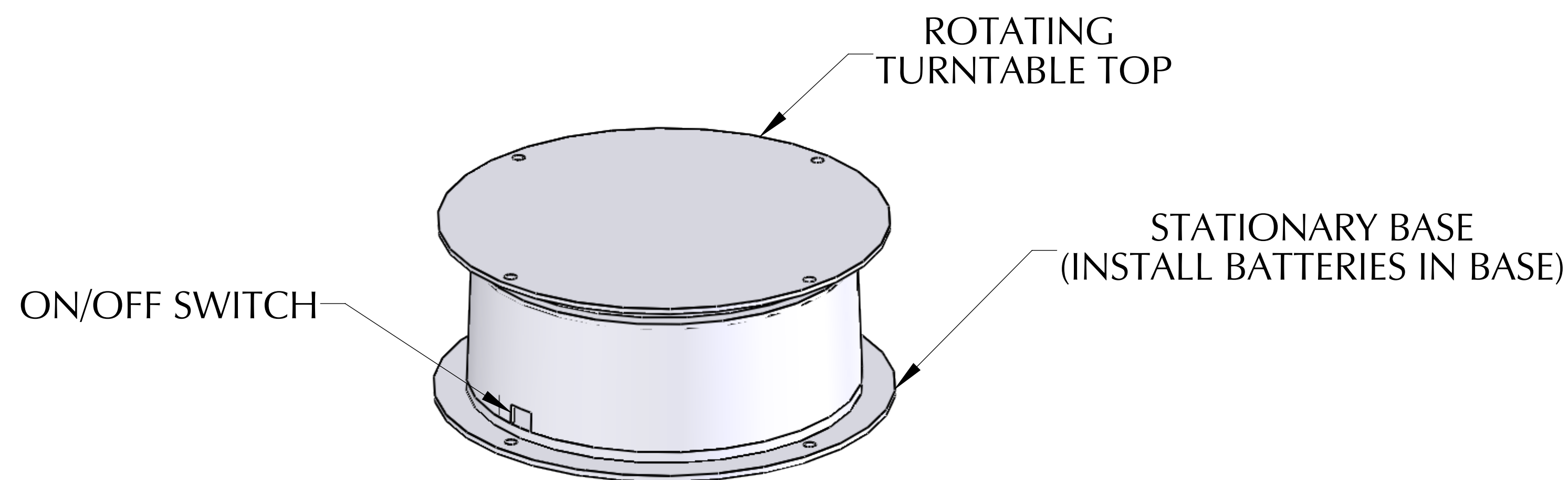
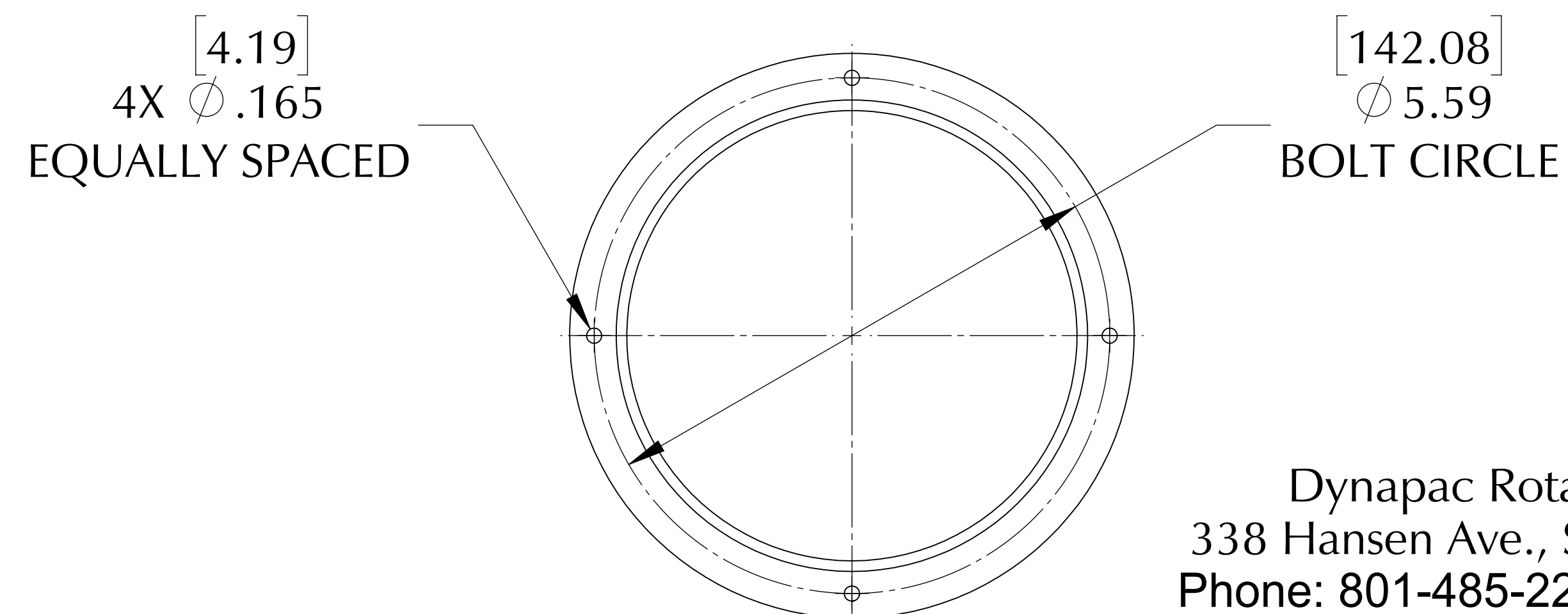
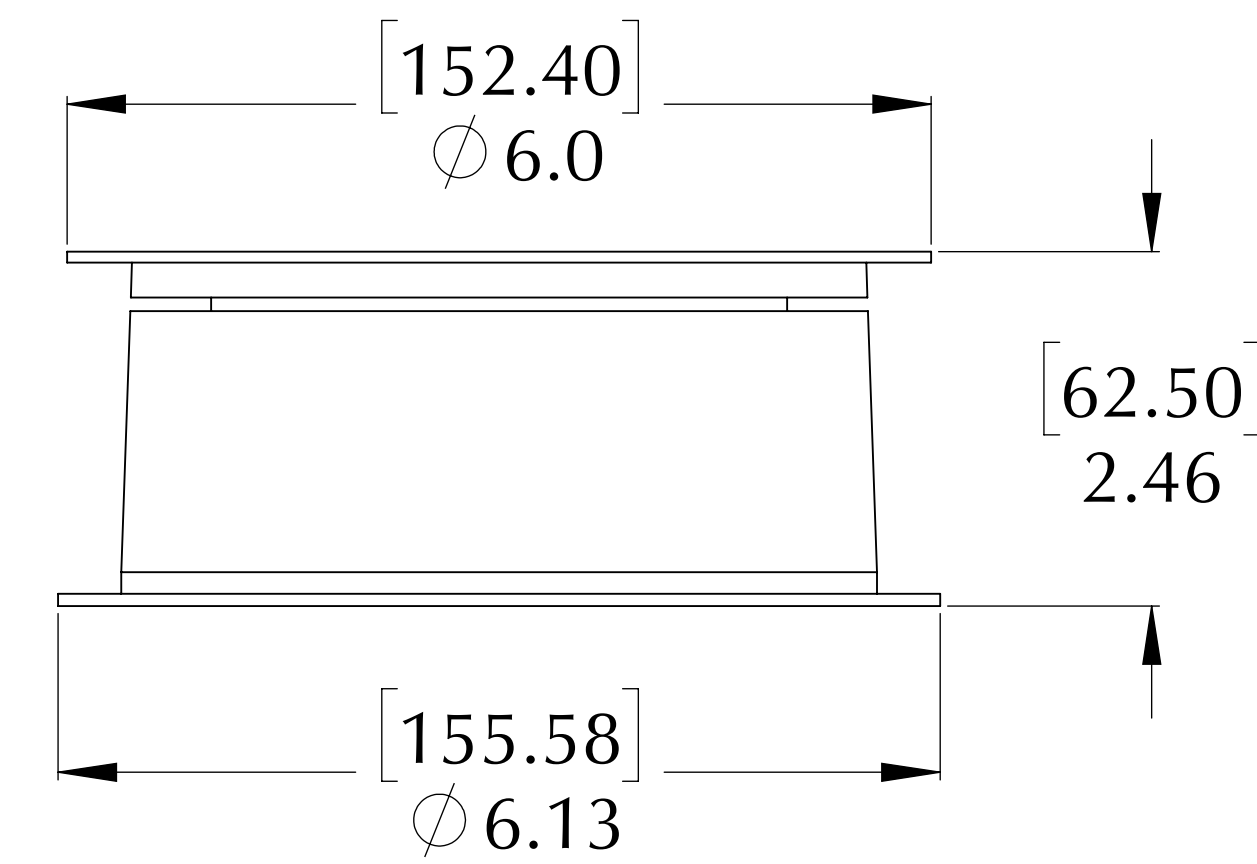
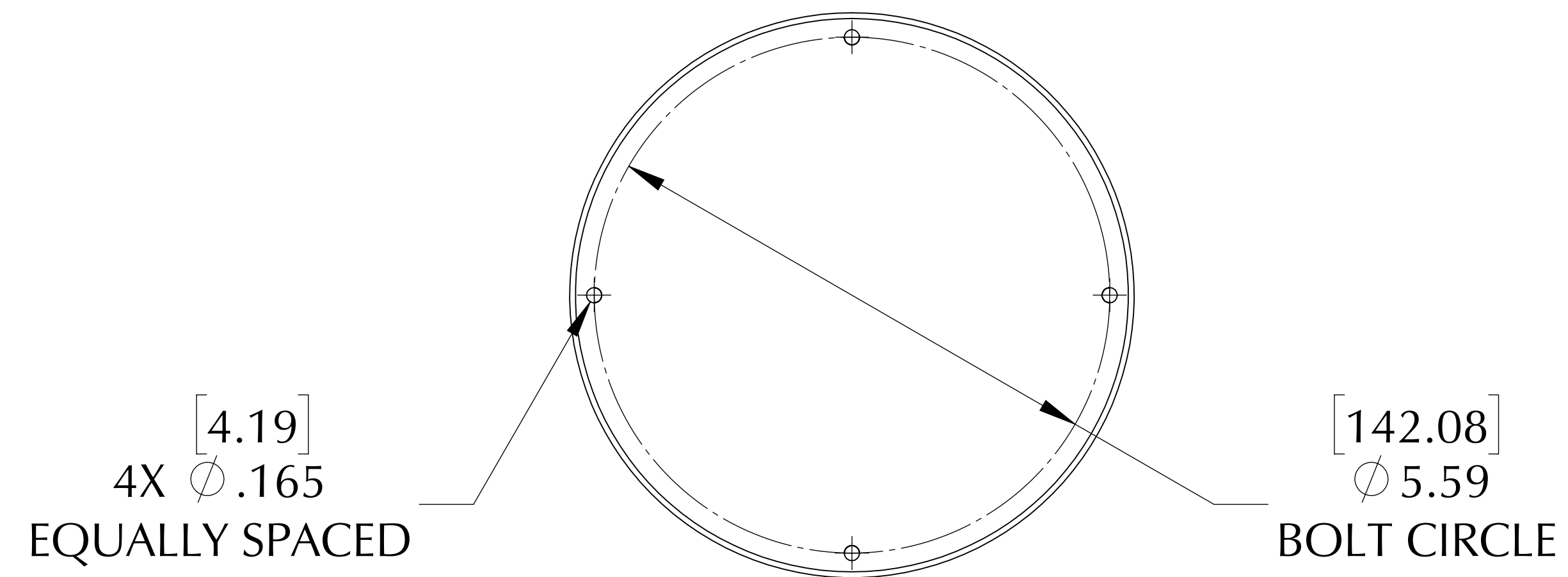


# B-8 BASE

Part Number: 144111

This battery powered turntable is ideal for jewelry, watches, and other small Point of Purchase displays. It will run on 1 D-Cell battery or you can double the lifespan by using 2 D-Cell batteries. The B-8 BASE turntable casing is made of white plastic and includes a flange ground plate for base mounting.

Hanging Weight Capacity.....None  
 Compressive Weight Capacity.....8 lbs [3.6 kg]  
 Max Display Size.....1' x 1' [30 cm x 30 cm]  
 Standard RPM.....2  
 Torque Output @ 2 RPM.....2.5 in-lbs [.3 Nm]  
 Shipping Weight.....2 lbs [1.0 kg]



NOTE: BATTERIES ARE NOT INCLUDED  
 REQUIRES ONE OR TWO "D" BATTERIES

Dynapac Rotating Company Inc.  
 338 Hansen Ave., Salt Lake City, UT 84115  
 Phone: 801-485-2221 • Fax: 801-485-2254  
 email: [info@dynapacrotating.com](mailto:info@dynapacrotating.com) • [www.dynapacrotating.com](http://www.dynapacrotating.com)