

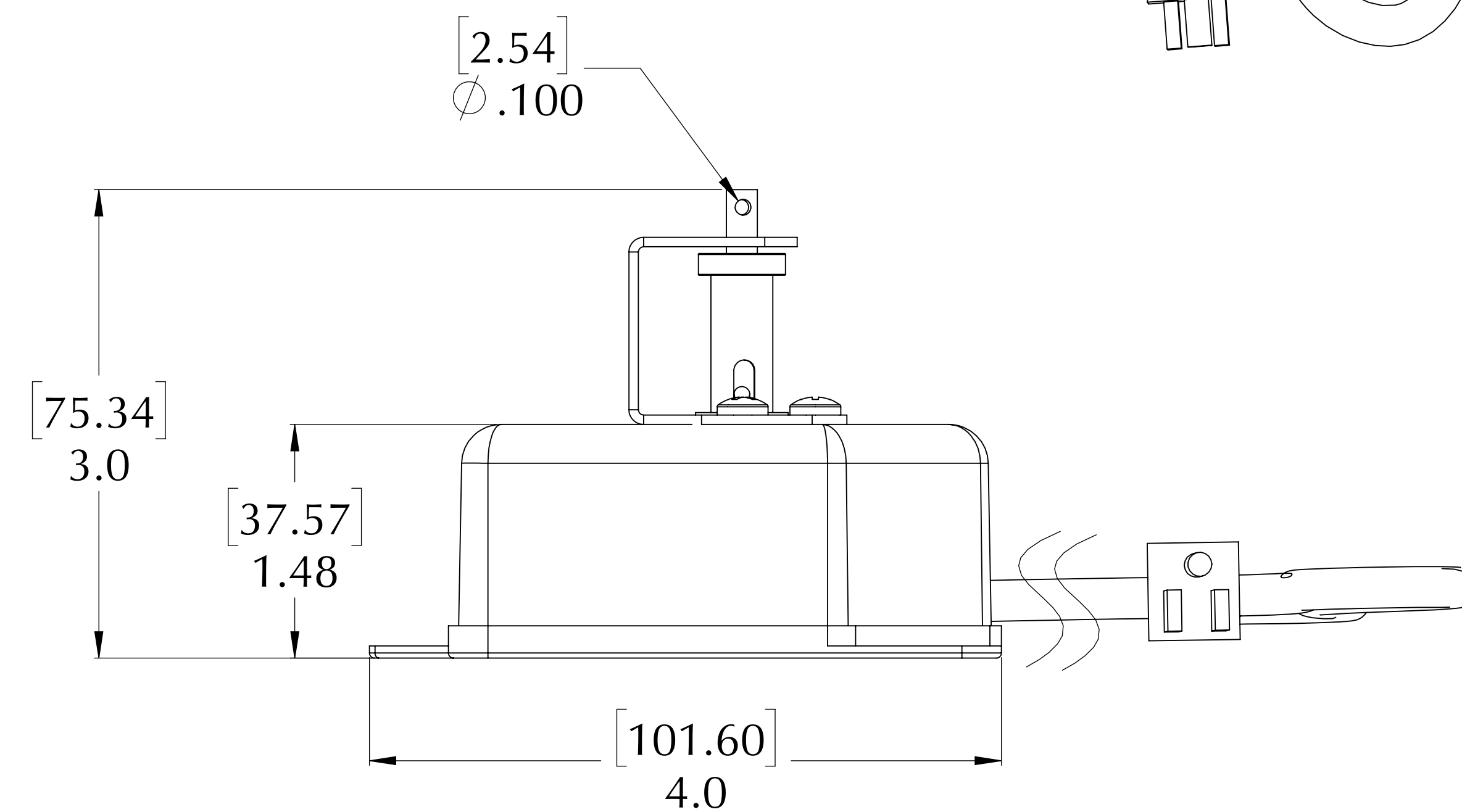
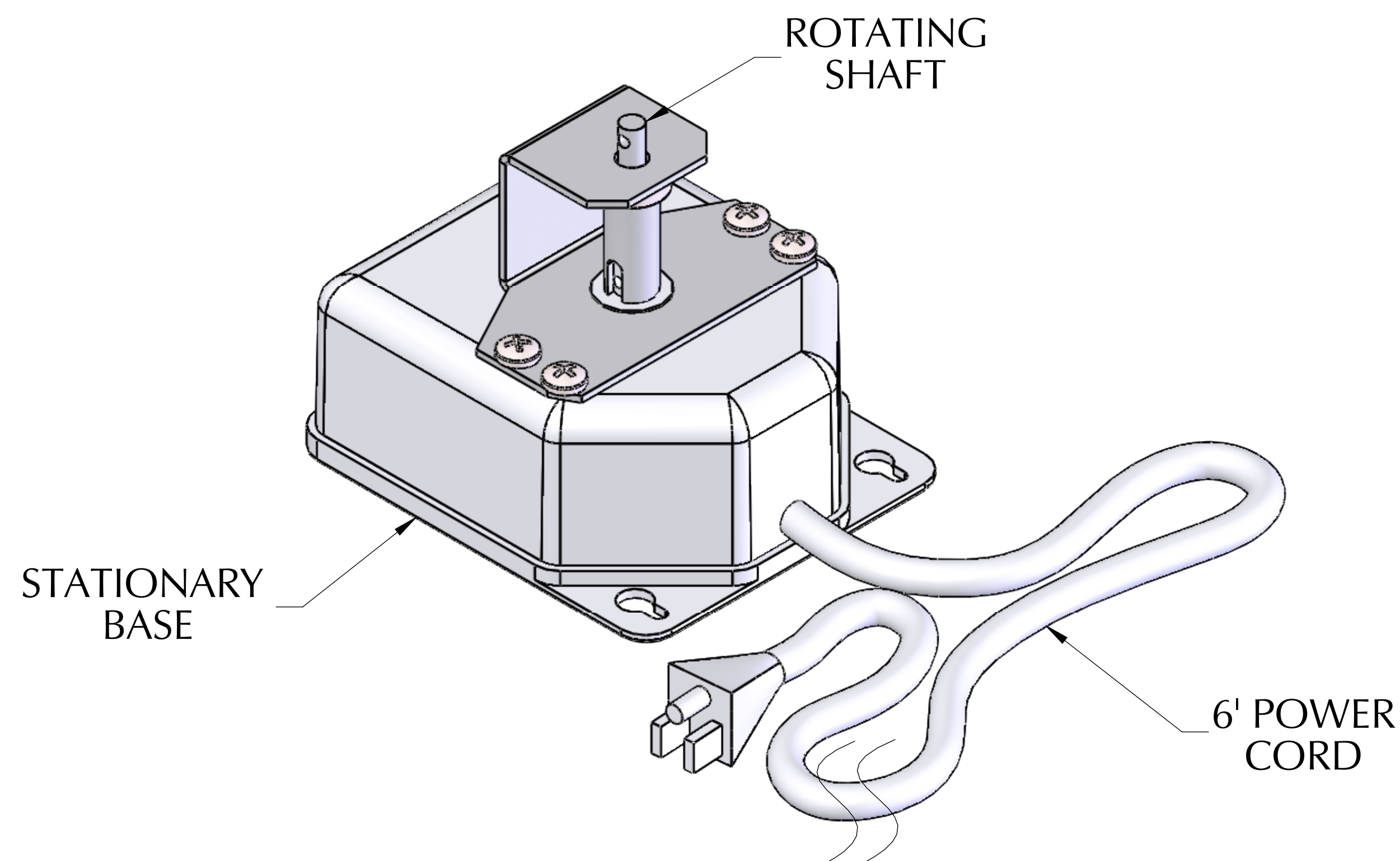
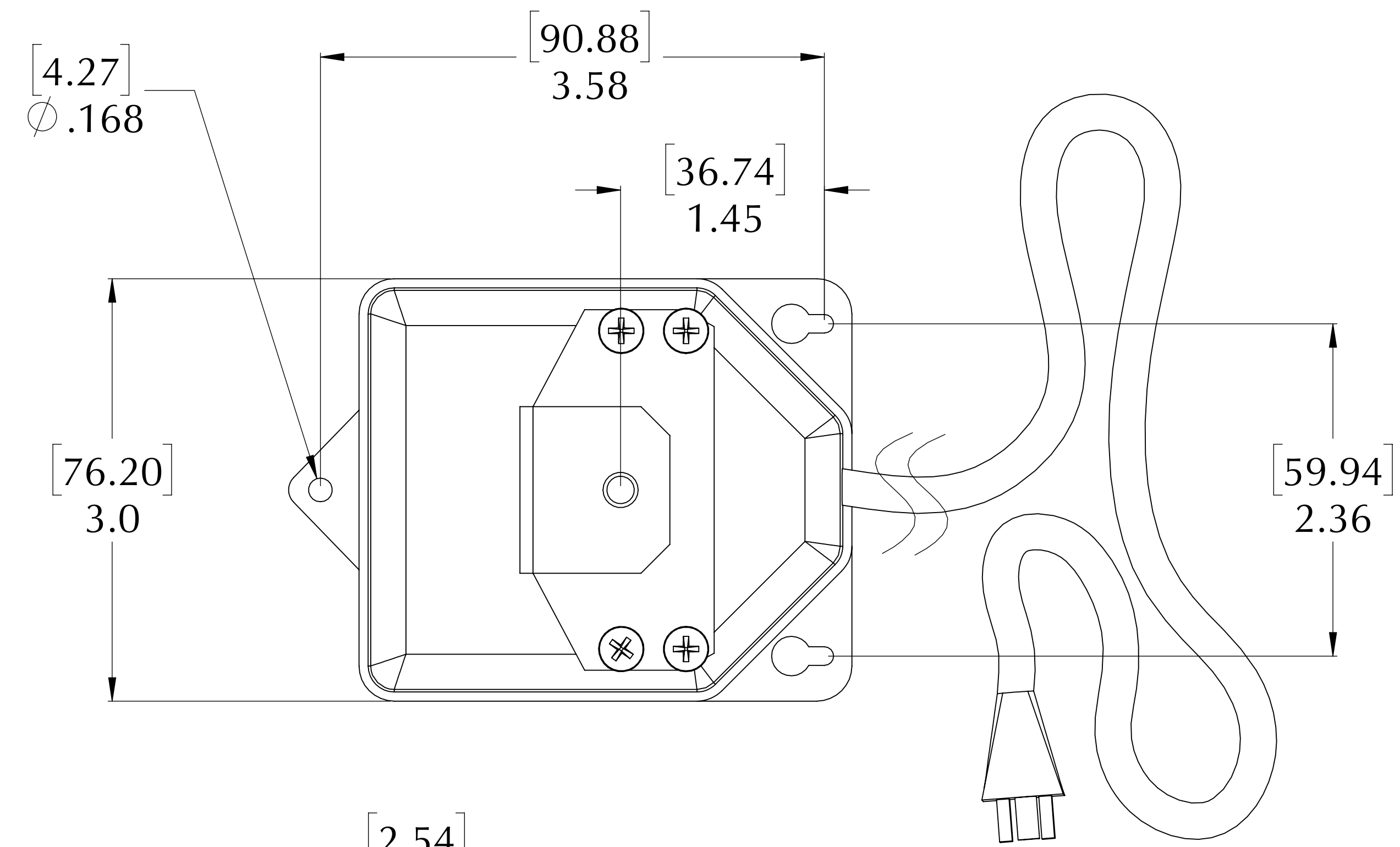


M-6 HANG

Part Number: 144115

The M-6 rotator is designed for small hanging displays measuring 2 feet in diameter or less. It is designed to hold up to 6 lbs.

- Hanging Weight Capacity.....6 lbs [2.7 kg]
- Compressive Weight Capacity.....6lbs [2.7 kg]
- Max Display Size.....2' x 2' [61cm x 61cm]
- Standard RPM.....2.5
- Torque Output @ 2 RPM.....1.5 in-lbs [.17 Nm]
- Motor Draw.....0.04A (4 watts)
- Shipping Weight.....2 lbs [0.9kg]



Dynapac Rotating Company Inc.
 338 Hansen Ave., Salt Lake City, UT 84115
 Phone: 801-485-2221 • Fax: 801-485-2254
 email: info@dynapacrotating.com • www.dynapacrotating.com