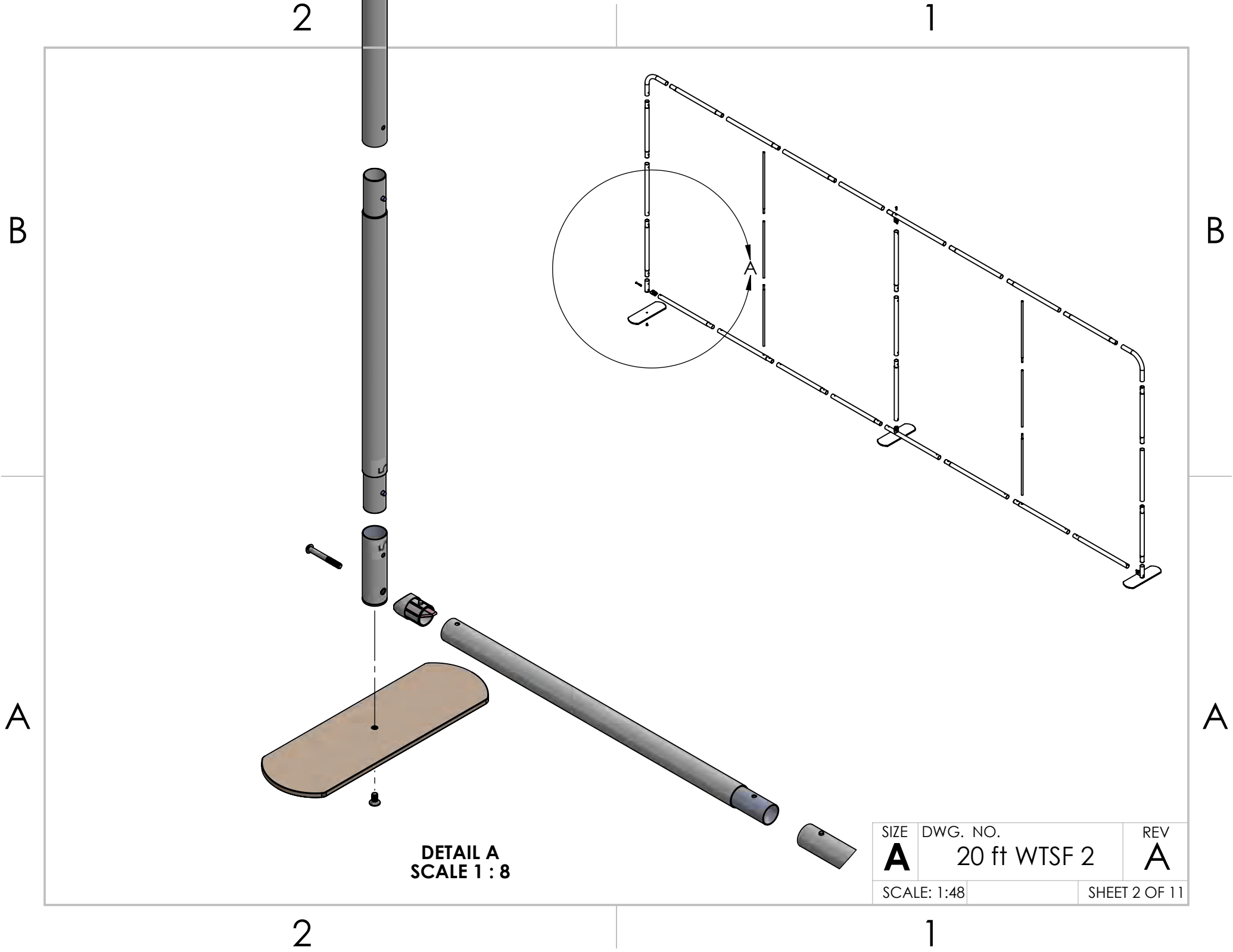


**20ft WAVE TUBE<sup>®</sup> STRAIGHT FRAME**

SIZE	DWG. NO.	REV
<b>A</b>	20 ft WTSF 2	<b>A</b>
SCALE: 1:48		SHEET 1 OF 11

2

1



2

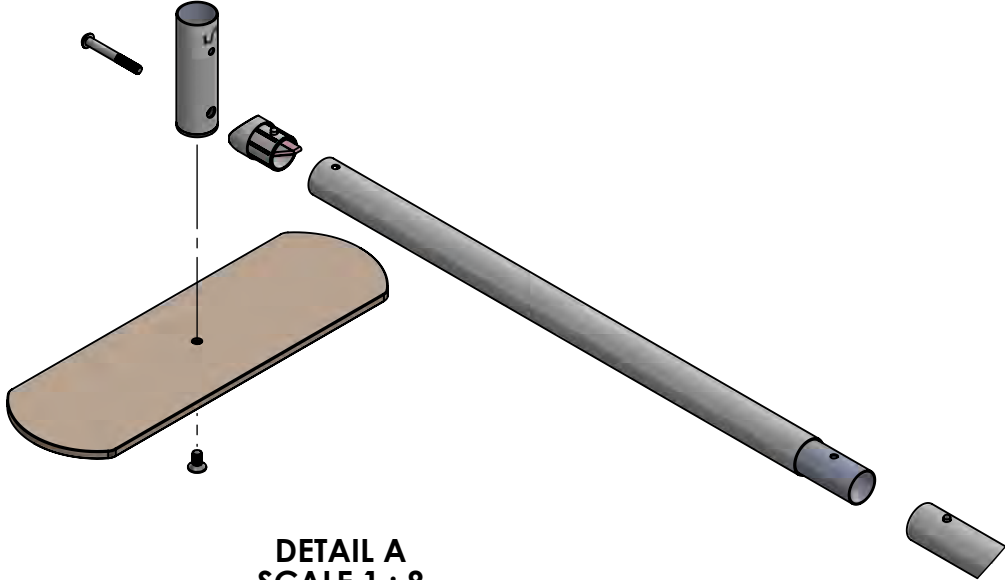
1

B

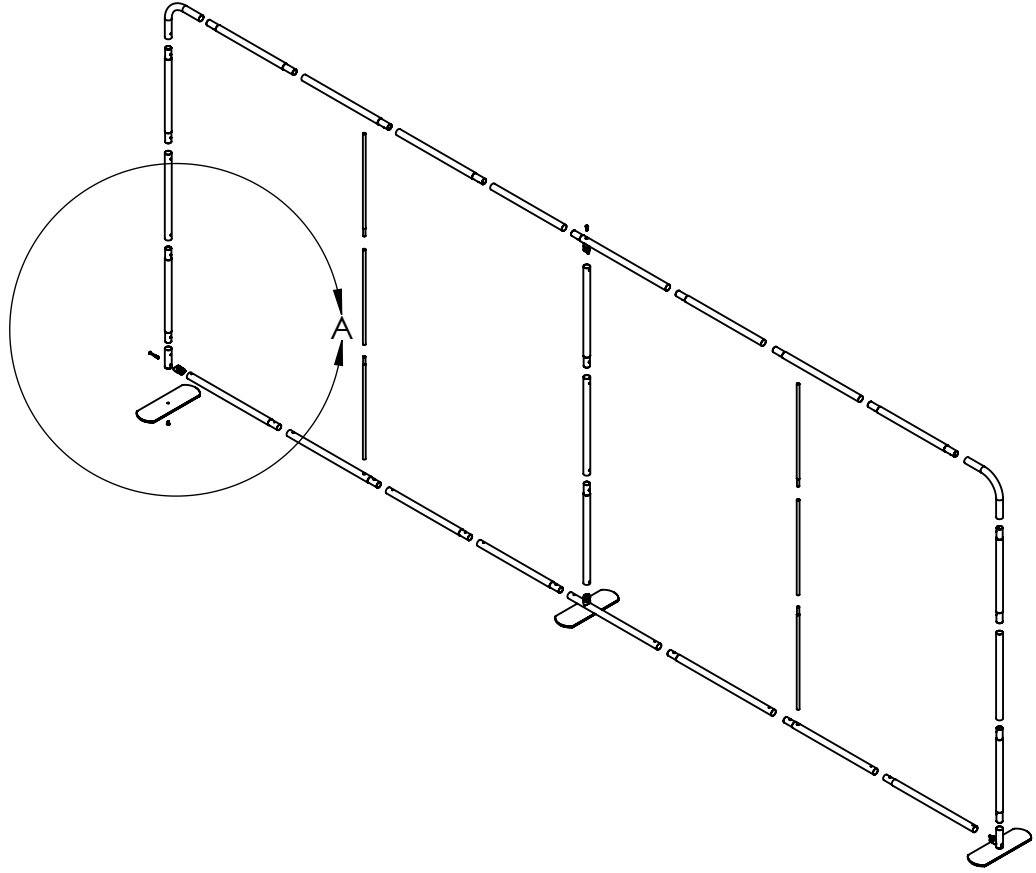
B

A

A



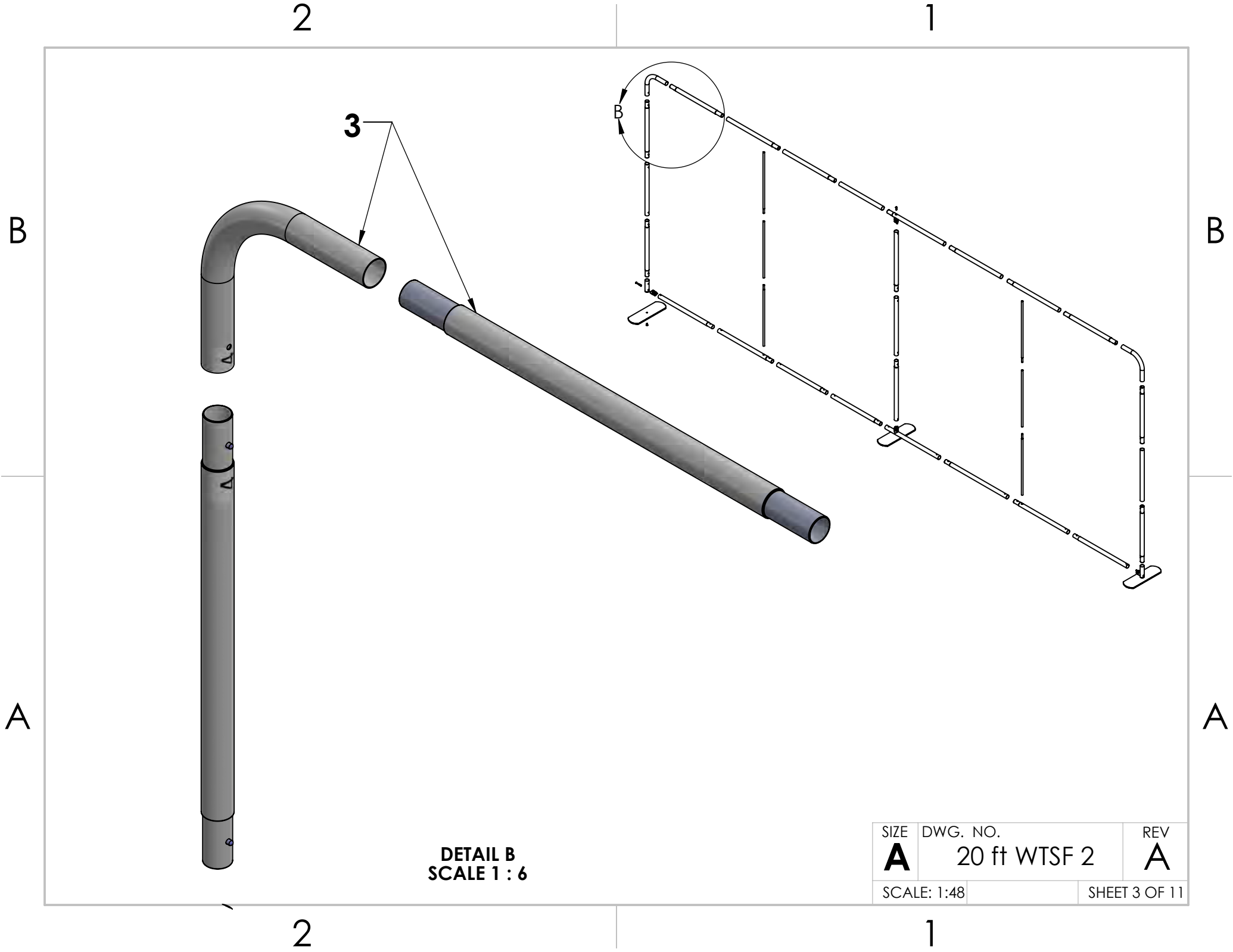
**DETAIL A**  
SCALE 1 : 8



SIZE	DWG. NO.	REV
<b>A</b>	20 ft WTSF 2	<b>A</b>
SCALE: 1:48		SHEET 2 OF 11

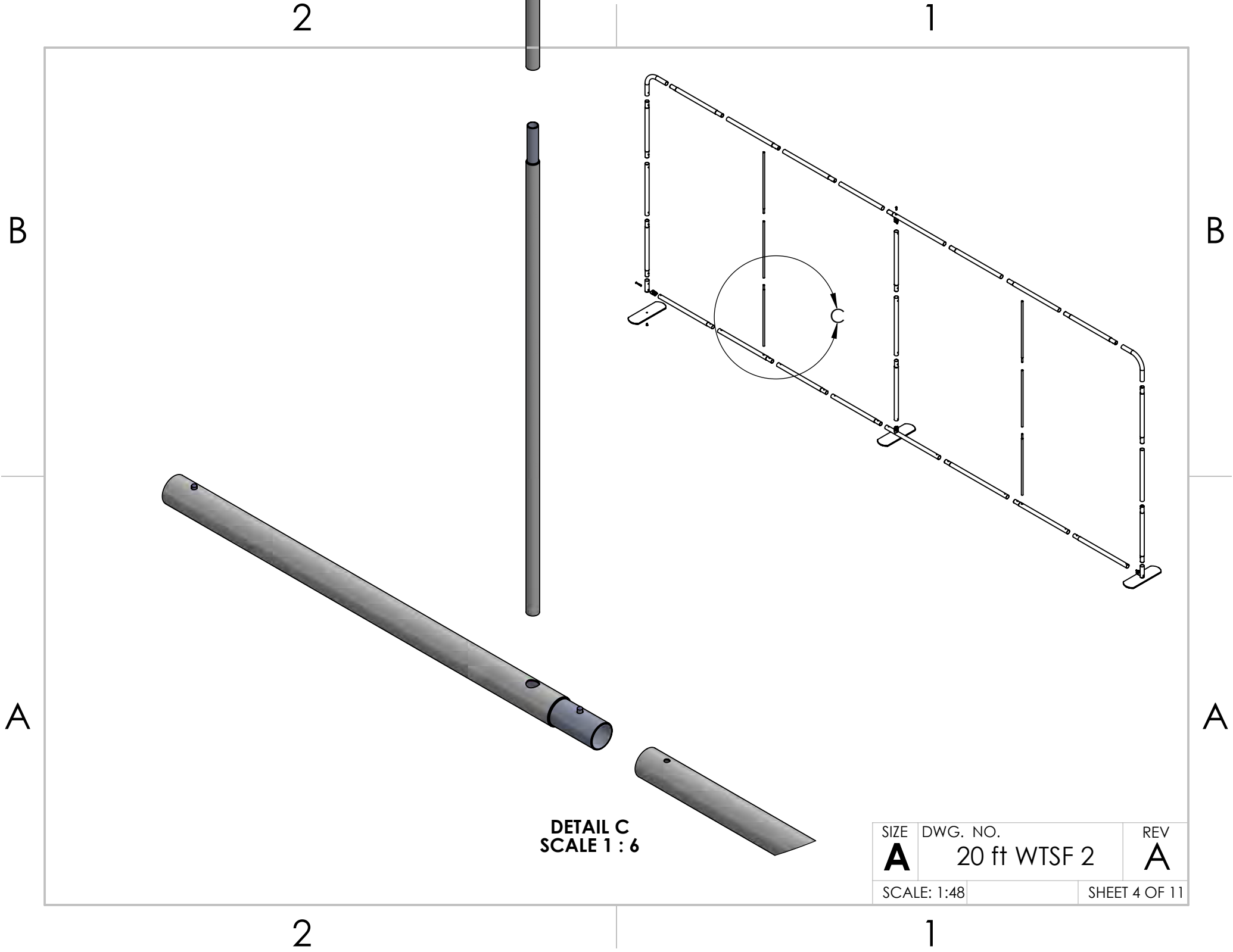
2

1



**DETAIL B**  
**SCALE 1 : 6**

SIZE	DWG. NO.	REV
<b>A</b>	20 ft WTSF 2	<b>A</b>
SCALE: 1:48		SHEET 3 OF 11



**DETAIL C**  
SCALE 1 : 6

SIZE	DWG. NO.	REV
<b>A</b>	20 ft WTSF 2	<b>A</b>
SCALE: 1:48		SHEET 4 OF 11

2

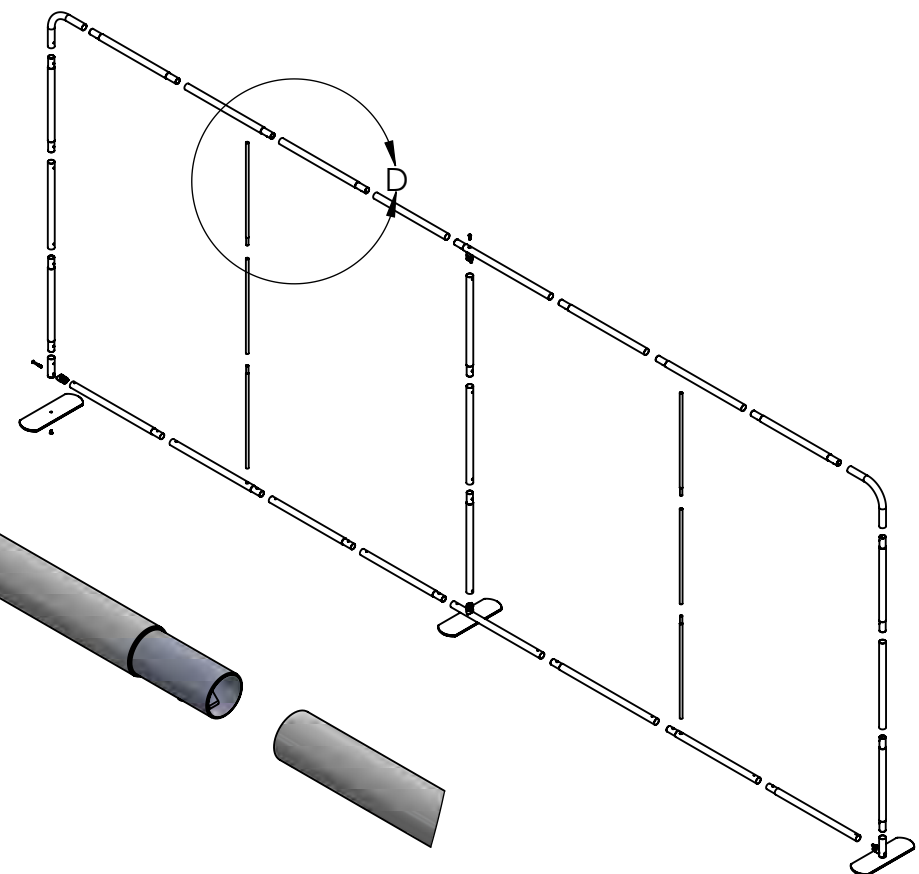
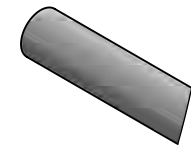
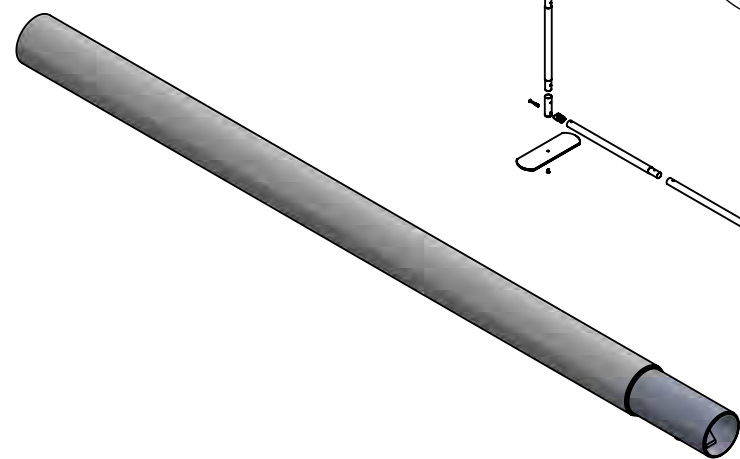
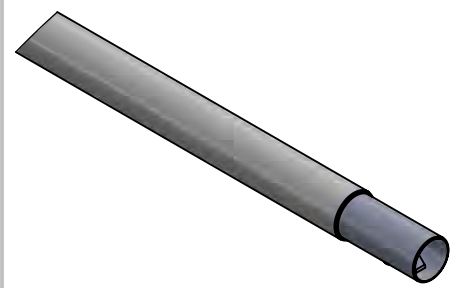
1

B

B

A

A



DETAIL D  
SCALE 1 : 6

SIZE	DWG. NO.	REV
<b>A</b>	20 ft WTSF 2	<b>A</b>
SCALE: 1:48		SHEET 5 OF 11

2

1

2

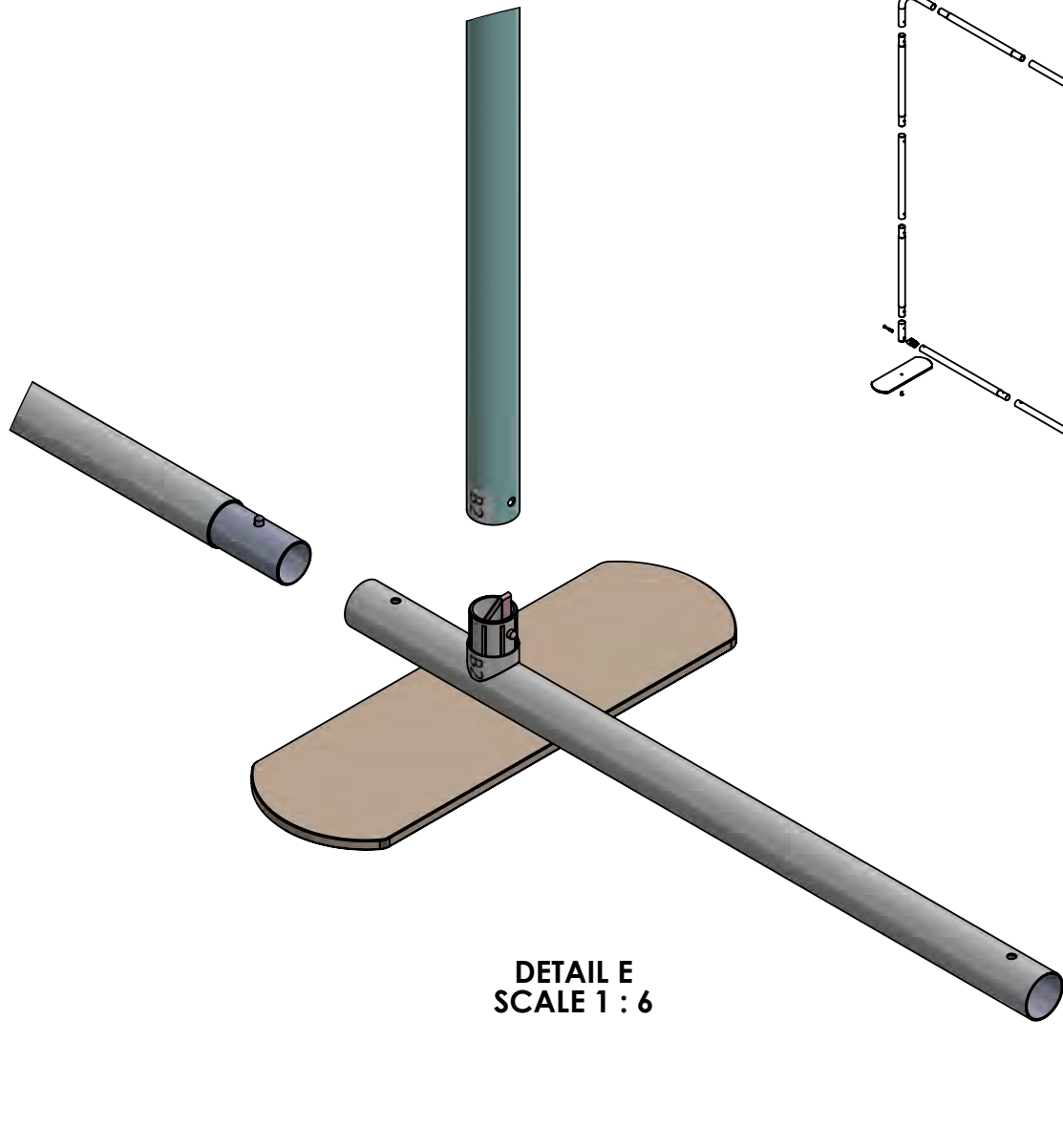
1

B

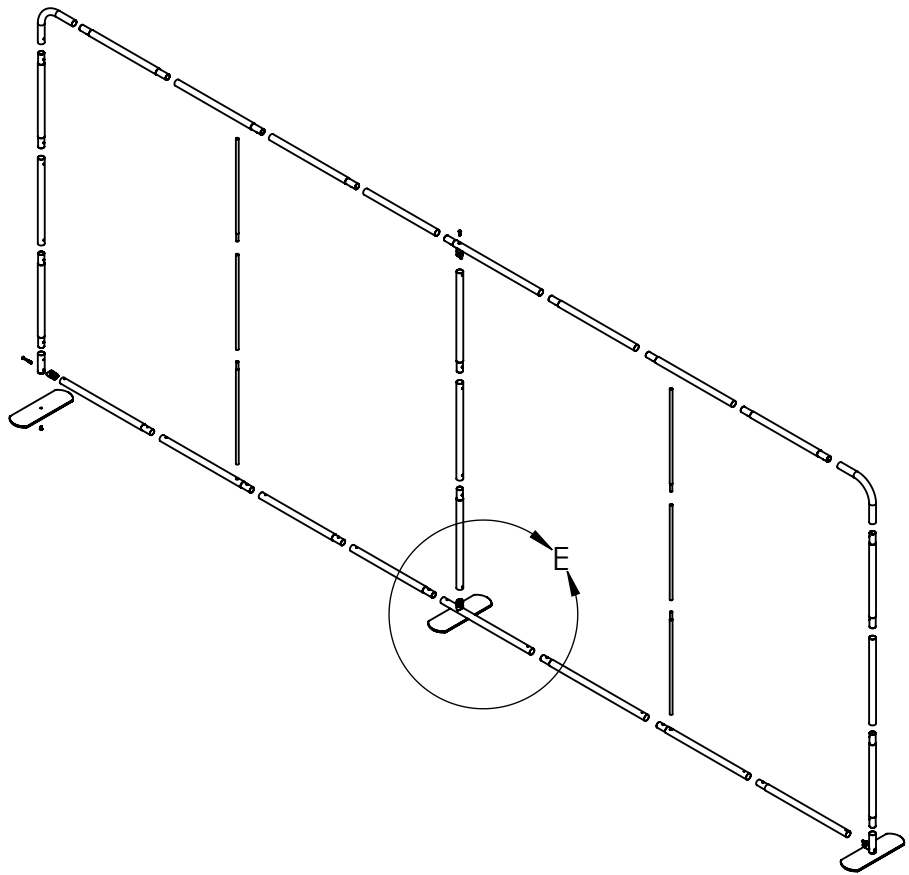
B

A

A



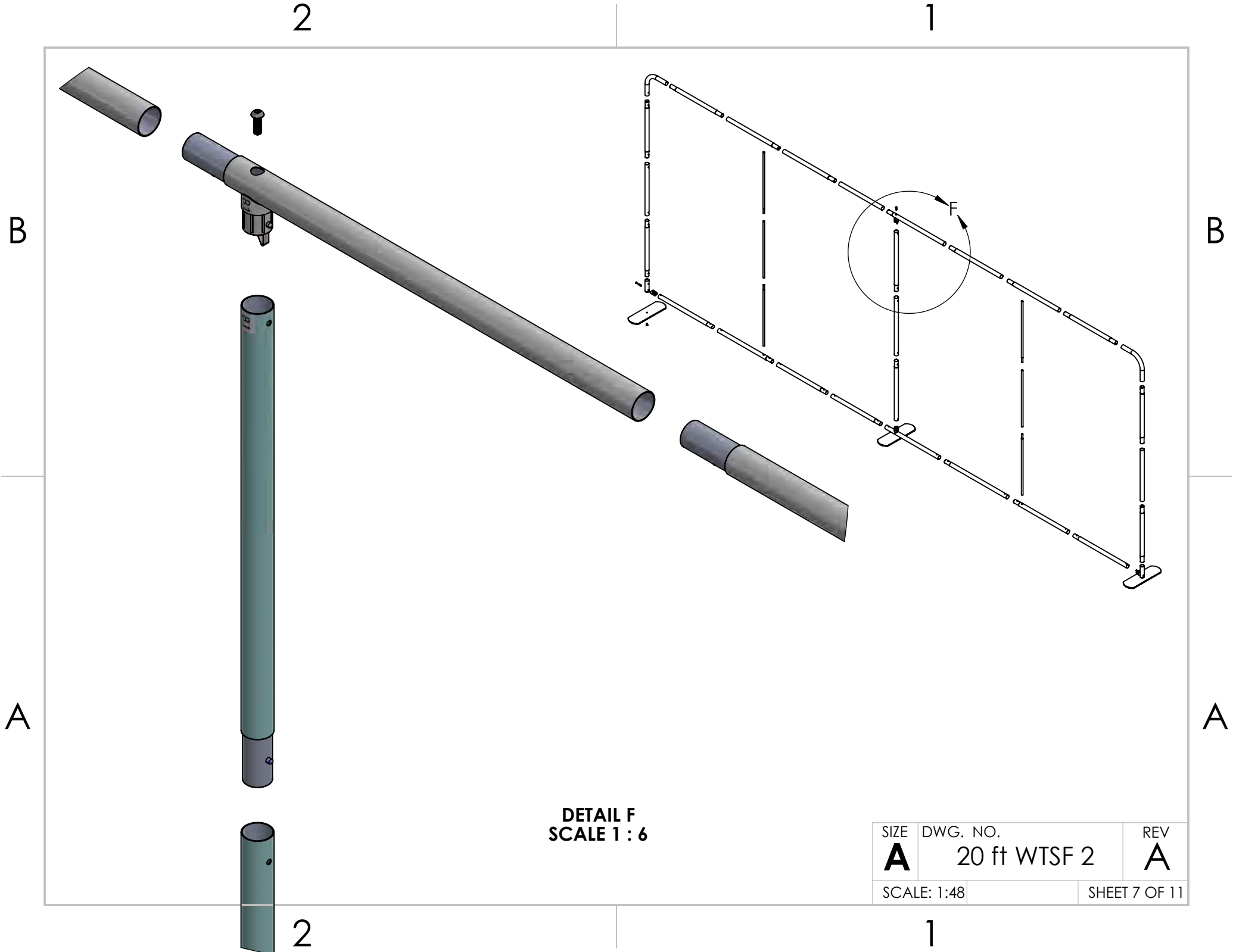
**DETAIL E**  
**SCALE 1 : 6**



SIZE	DWG. NO.	REV
<b>A</b>	20 ft WTSF 2	<b>A</b>
SCALE: 1:48		SHEET 6 OF 11

2

1



**DETAIL F**  
**SCALE 1 : 6**

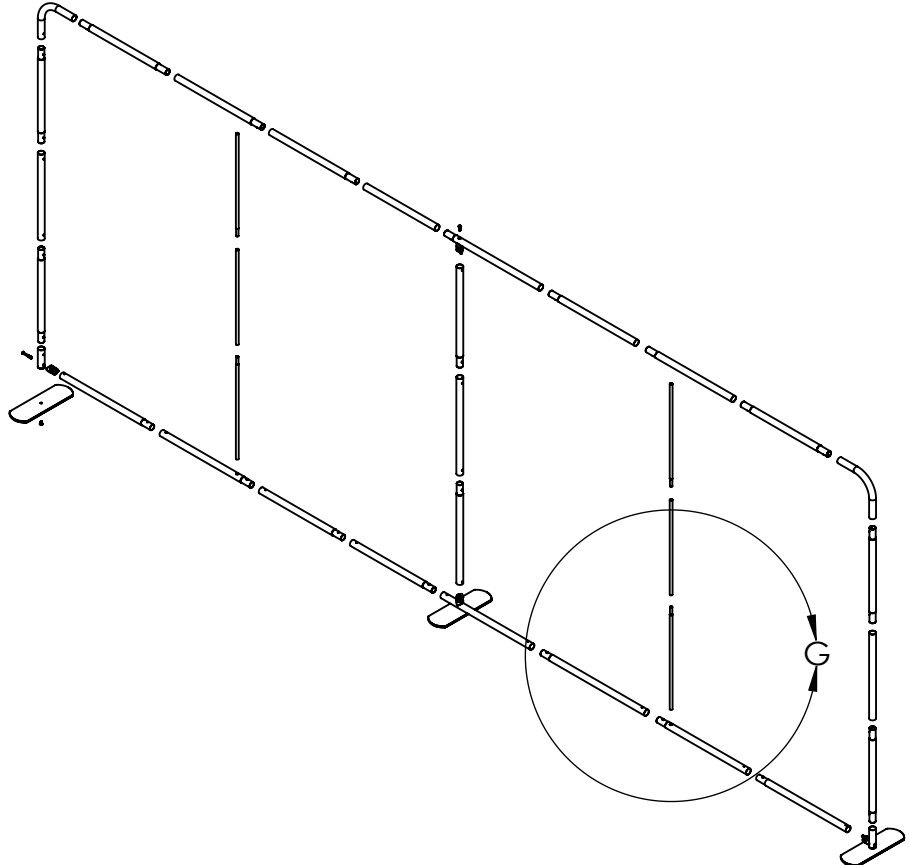
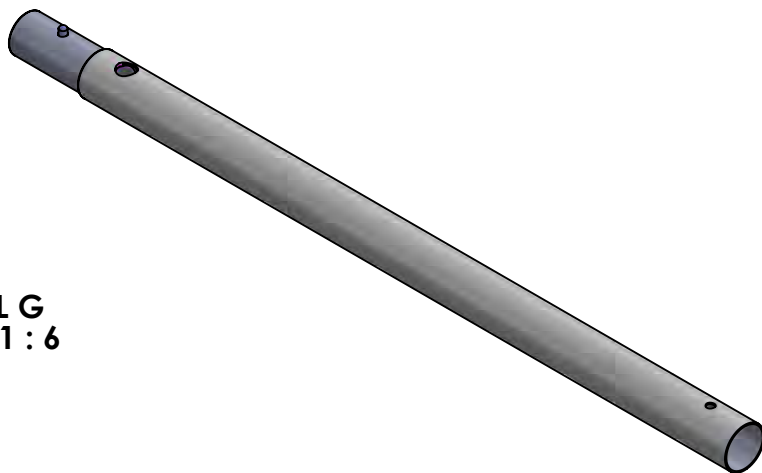
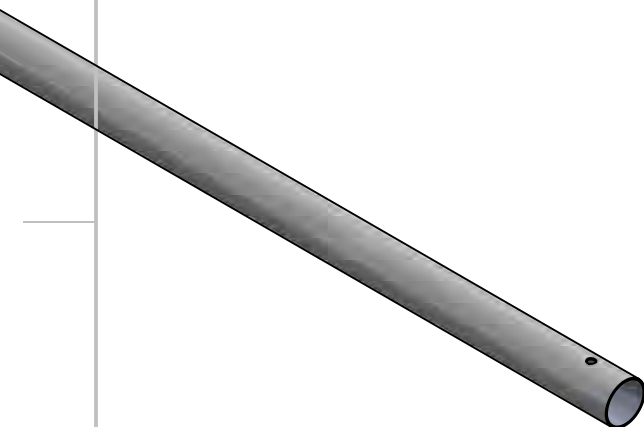
SIZE	DWG. NO.	REV
<b>A</b>	20 ft WTSF 2	<b>A</b>
SCALE: 1:48		SHEET 7 OF 11

2

1

B

B



**DETAIL G**  
**SCALE 1 : 6**

SIZE	DWG. NO.	REV
<b>A</b>	20 ft WTSF 2	<b>A</b>
SCALE: 1:48		SHEET 8 OF 11

2

1

A

A



2

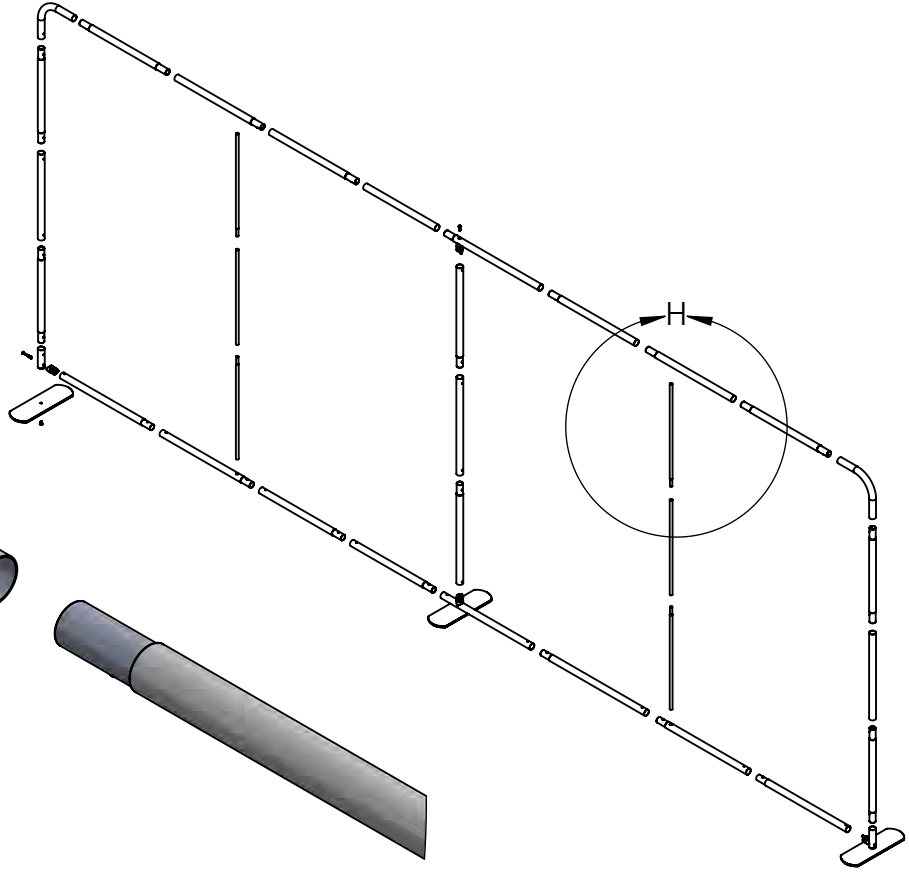
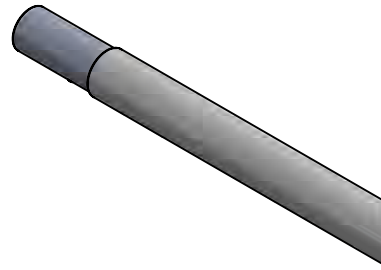
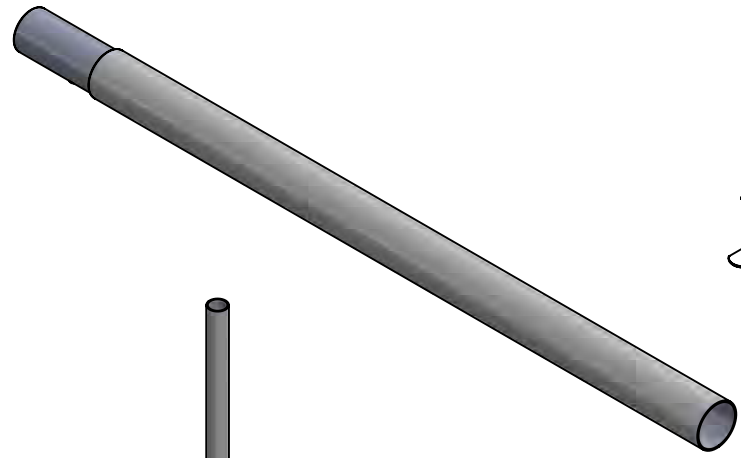
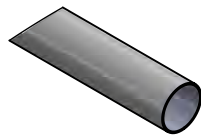
1

B

B

A

A

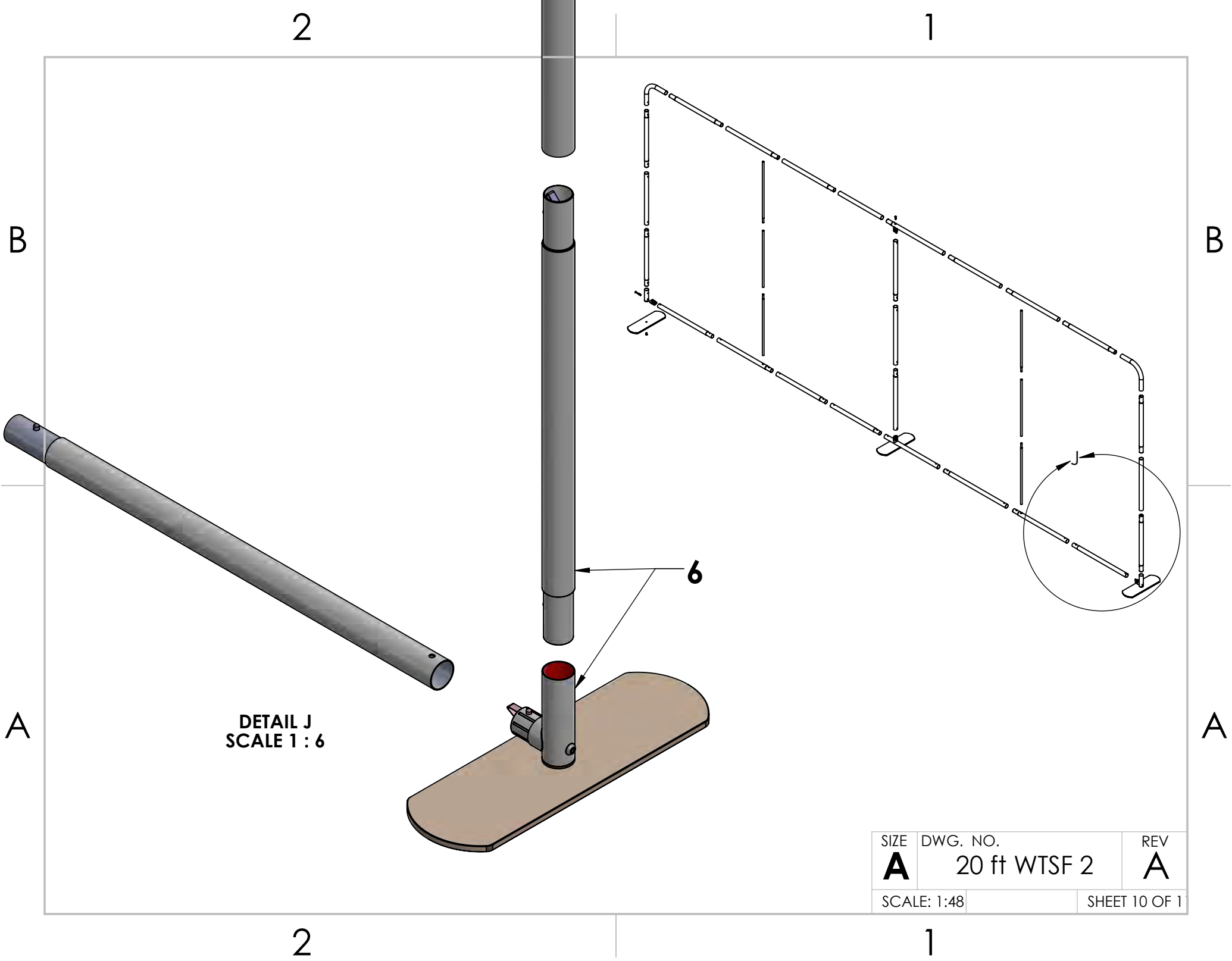


DETAIL H  
SCALE 1 : 6

SIZE	DWG. NO.	REV
<b>A</b>	20 ft WTSF 2	<b>A</b>
SCALE: 1:48		SHEET 9 OF 11

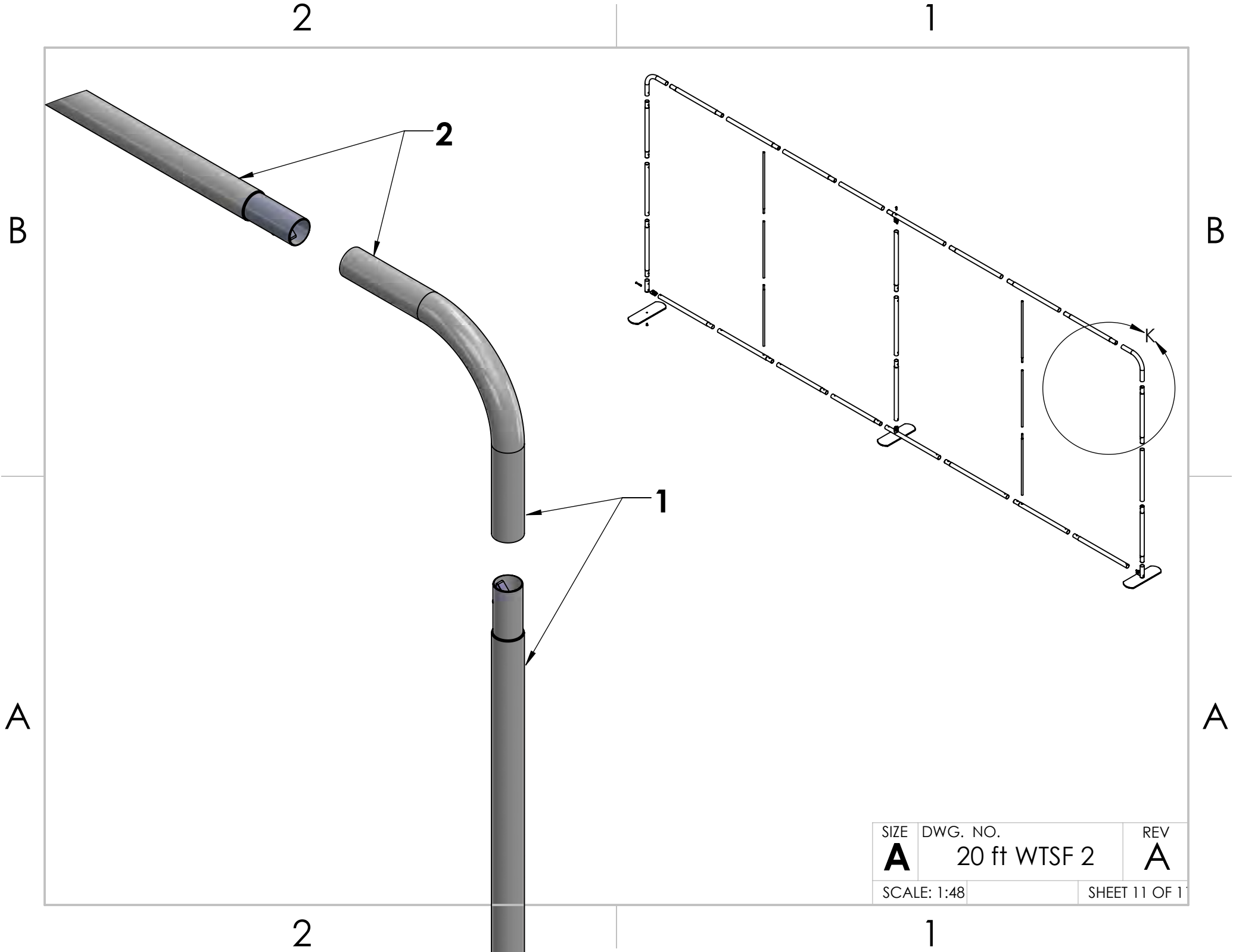
2

1



DETAIL J  
 SCALE 1 : 6

SIZE	DWG. NO.	REV
<b>A</b>	20 ft WTSF 2	<b>A</b>
SCALE: 1:48		SHEET 10 OF 1



2

1

B

B

A

A

2

1

K

SIZE	DWG. NO.	REV
<b>A</b>	20 ft WTSF 2	<b>A</b>
SCALE: 1:48		SHEET 11 OF 1

2

1