

# 8ft Wave Tube® Curved Display • WT8C1



Single-Sided or Double-Sided Graphic

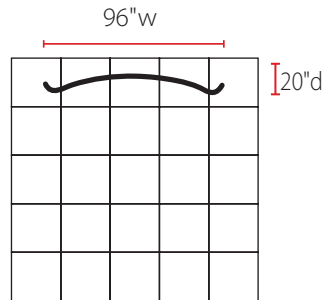
## Product Specifications

Display Dimensions	96" w x 89.5" h x 20" d
Weight	22 lbs.
Box Dimensions	13" w x 53" h x 10" d
Case Dimensions	12" w x 52" h x 8" d



## About This Product

Our Wave Tube® display very popular due to its ease of transport, ease of set up, and economic price. The frame and graphic together are very lightweight and easy to ship if needed. Your display will set up in just minutes, and look fantastic. The graphic is perfectly stretched across the Wave Tube® frame to create a virtually wrinkle-free surface.



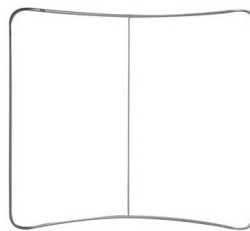
Aerial grid of 10' x 10' space



Side View

## Package Includes

- (1) Aluminum frame
- (1) Travel bag with wheels
- (1) Single-sided graphic print



## Optional Items

- Medium hard case  
*Please Note:  
When hard case is added, a soft case will not be included.*
- Medium hard case graphic
- Double-sided graphic
- (2) LED Lights with clamps

