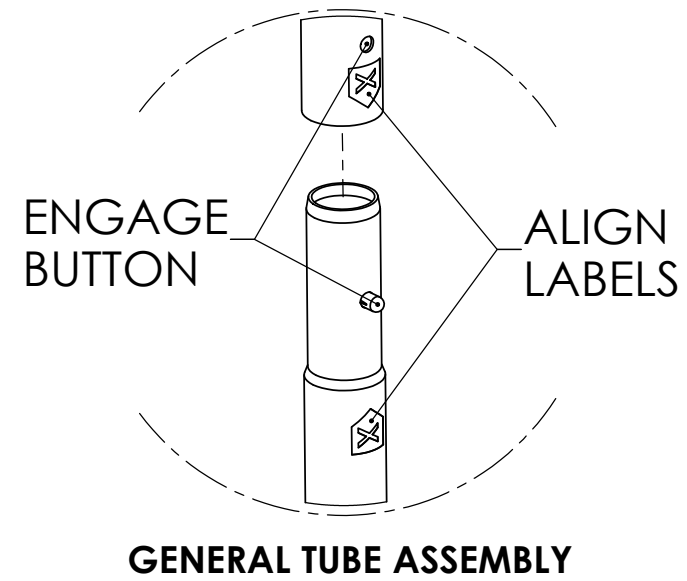


**WTM D2 ASSEMBLY**

FOOT ASSEMBLY (2)



- NOTES: UNLESS OTHERWISE SPECIFIED**
- 1. MATCH NUMBERED LABELS AS SHOWN.**
  - 2. FEET STYLE MAY VARY.**

FINISH:	THIRD ANGLE PROJECTION	PROPERTY: THIS DOCUMENT AND DATA DISCLOSED HEREIN OR HEREWITH IS NOT TO BE REPRODUCED, USED, OR DISCLOSED IN WHOLE OR IN PART TO ANYONE WITHOUT PERMISSION OF NIEDO GROUP, INC.
MATERIAL:		
DIMENSIONS ARE IN MILLIMETERS	<b>NIEDO GROUP, INC. 5465 SW WESTERN AVE. BEAVERTON, OR 97005</b>	
TOLERANCES UNLESS OTHERWISE SPECIFIED	<b>WAVE TUBE MODULAR WTM D2 ASSEMBLY INSTRUCTIONS</b>	
SIZE: <b>B</b>	DWG. NO.:	REV:
SCALE: 1:12	DO NOT SCALE DRAWING	SHEET 1 OF 1