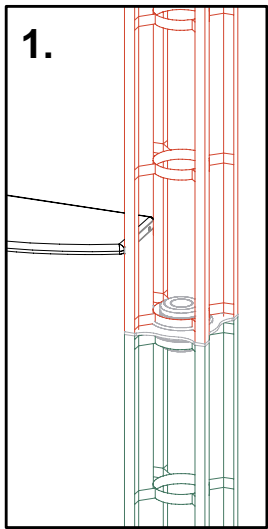
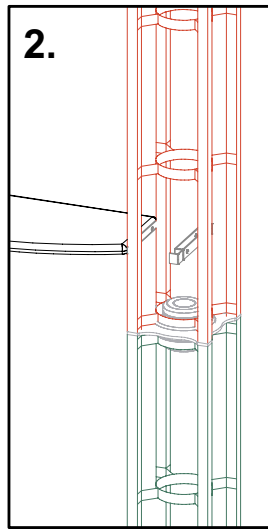


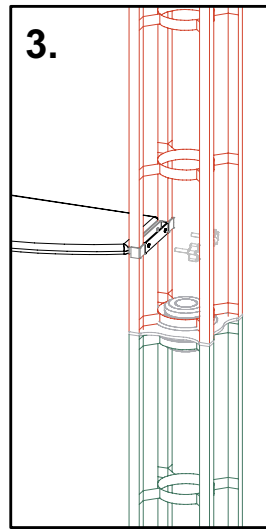
Orbital Express Truss Internal Shelf



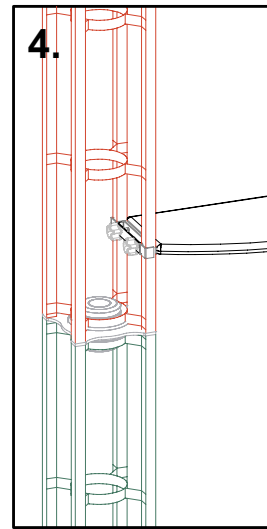
1.
Hold shelf in desired location.



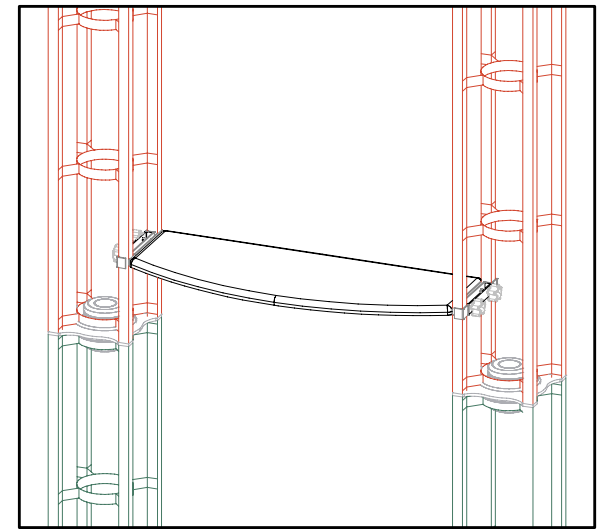
2.
Align shelf bracket holes.



3.
Hand tighten thumb screws into the bracket holes.
(clock-wise)



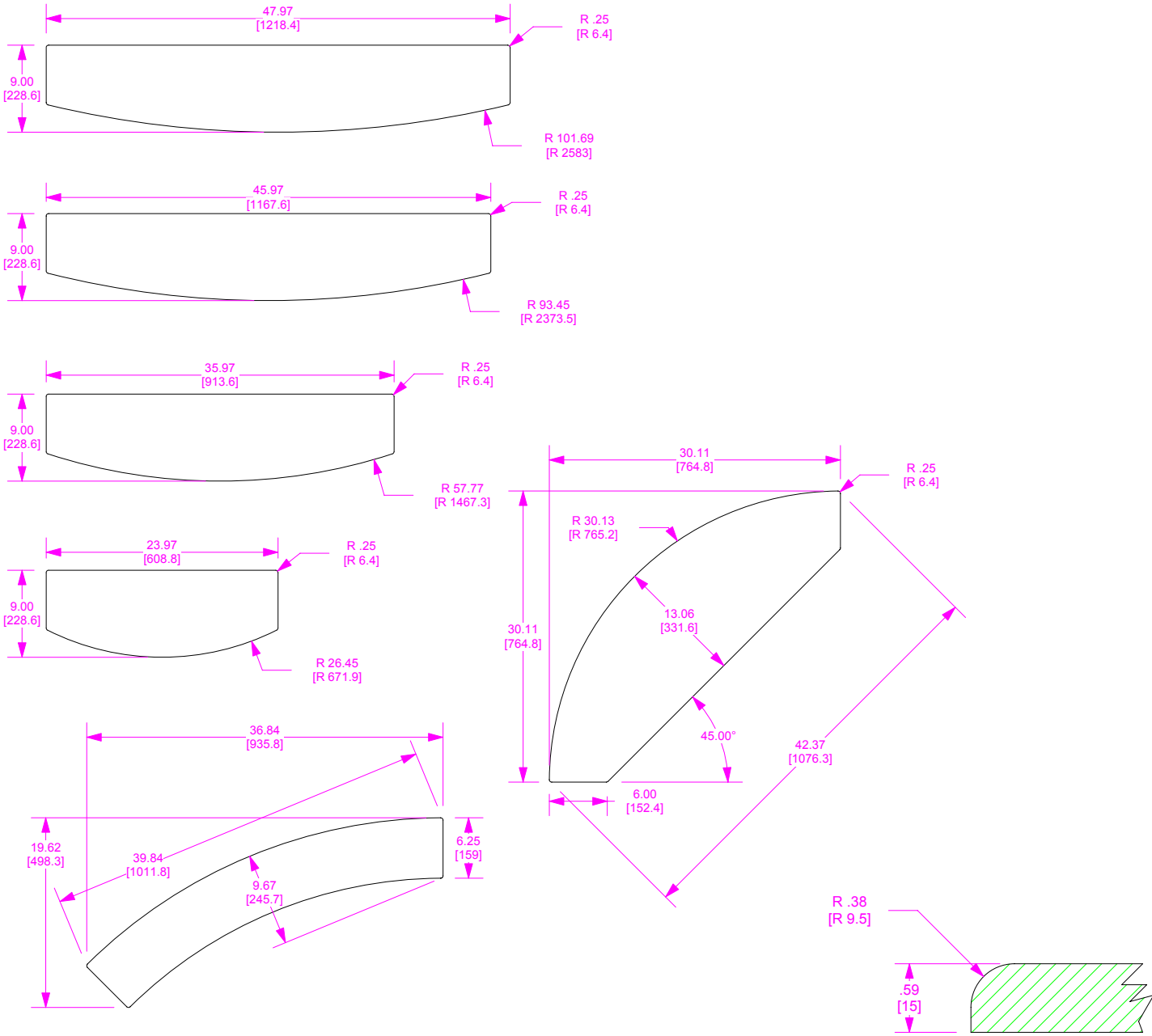
4.
Repeat steps 1-3 on opposite end of shelf.



Internal shelf Assembled.
This instruction applies to all internal shelf sizes.

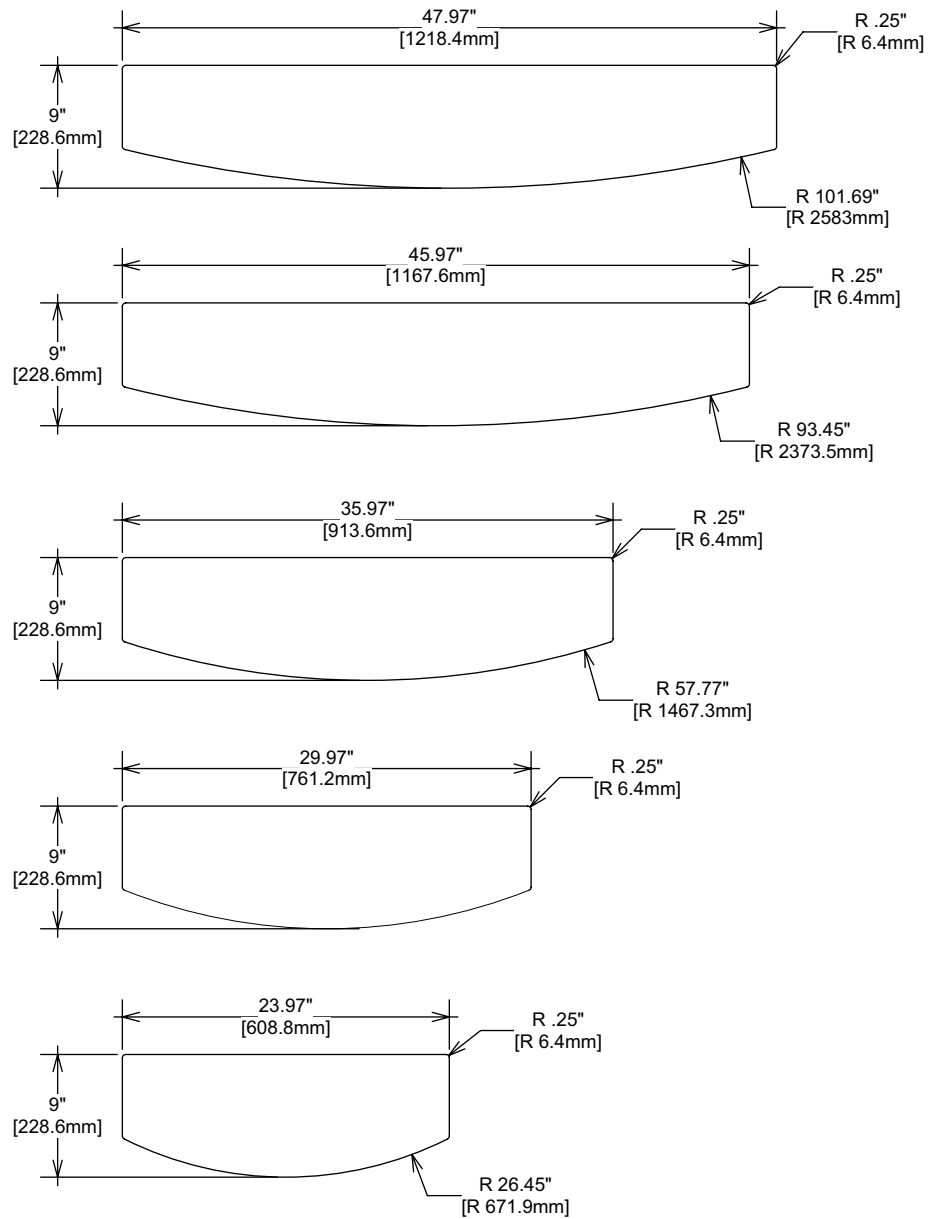
24" wide shelf is shown.

Orbital Internal Shelves



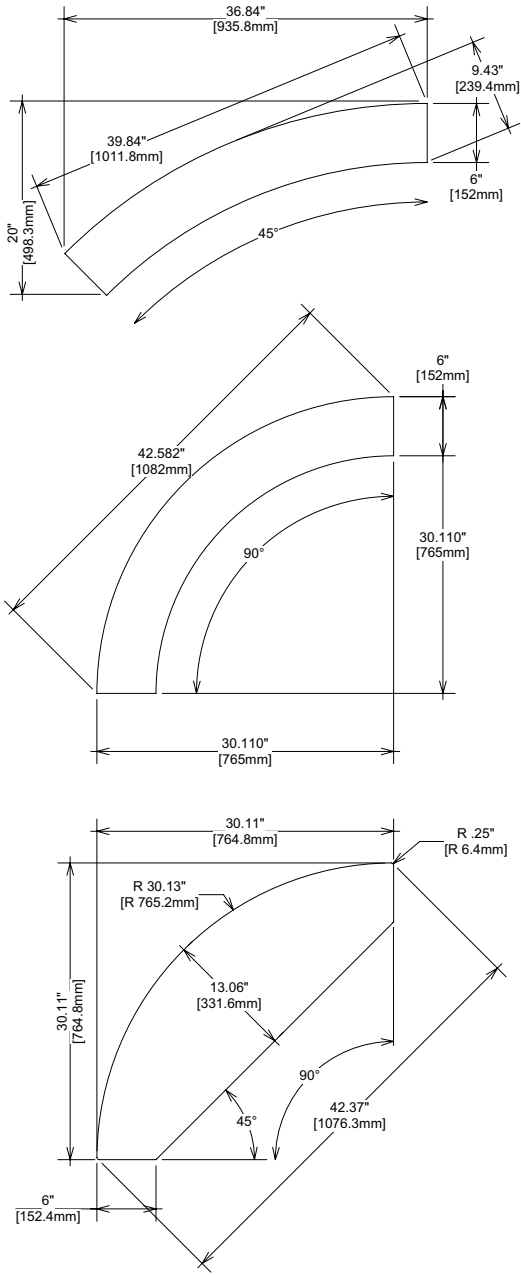
We are continually improving and modifying our product range and reserve the right to vary the specifications without prior notice. All dimensions and weights quoted are approximate and we accept no responsibility for variance. E&OE. See Graphic Templates for graphic bleed specifications.

Orbital Express Truss Internal Shelf Dimensions 1



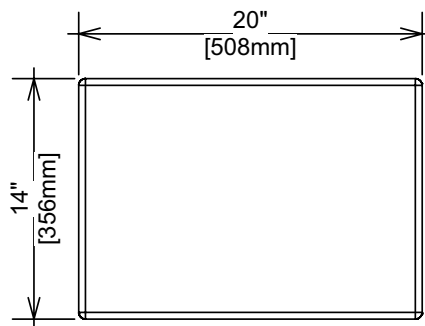
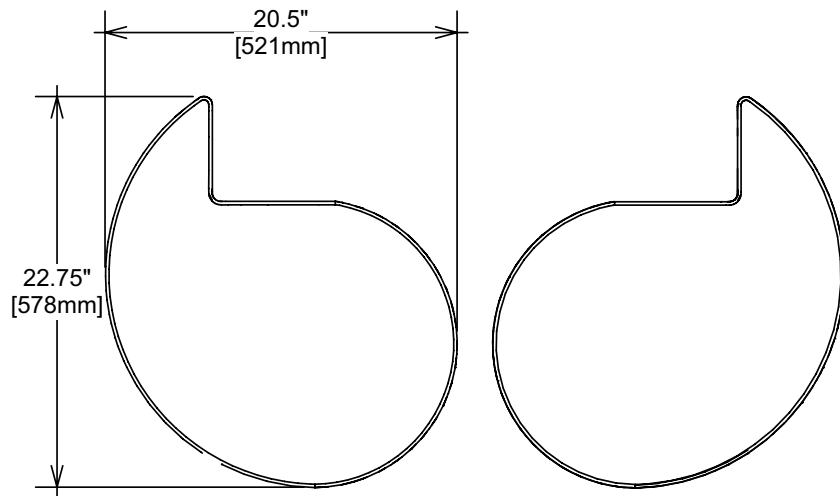
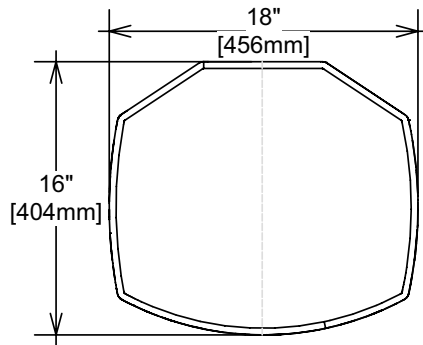
We are continually improving and modifying our product range and reserve the right to vary the specifications without prior notice. All dimensions and weights quoted are approximate and we accept no responsibility for variance. E&OE. See Graphic Templates for graphic bleed specifications.

Orbital Express Truss Internal Shelf Dimensions 2



We are continually improving and modifying our product range and reserve the right to vary the specifications without prior notice. All dimensions and weights quoted are approximate and we accept no responsibility for variance. E&OE. See Graphic Templates for graphic bleed specifications.

Orbital Express Truss Internal Shelf Dimensions 3



We are continually improving and modifying our product range and reserve the right to vary the specifications without prior notice. All dimensions and weights quoted are approximate and we accept no responsibility for variance. E&OE. See Graphic Templates for graphic bleed specifications.