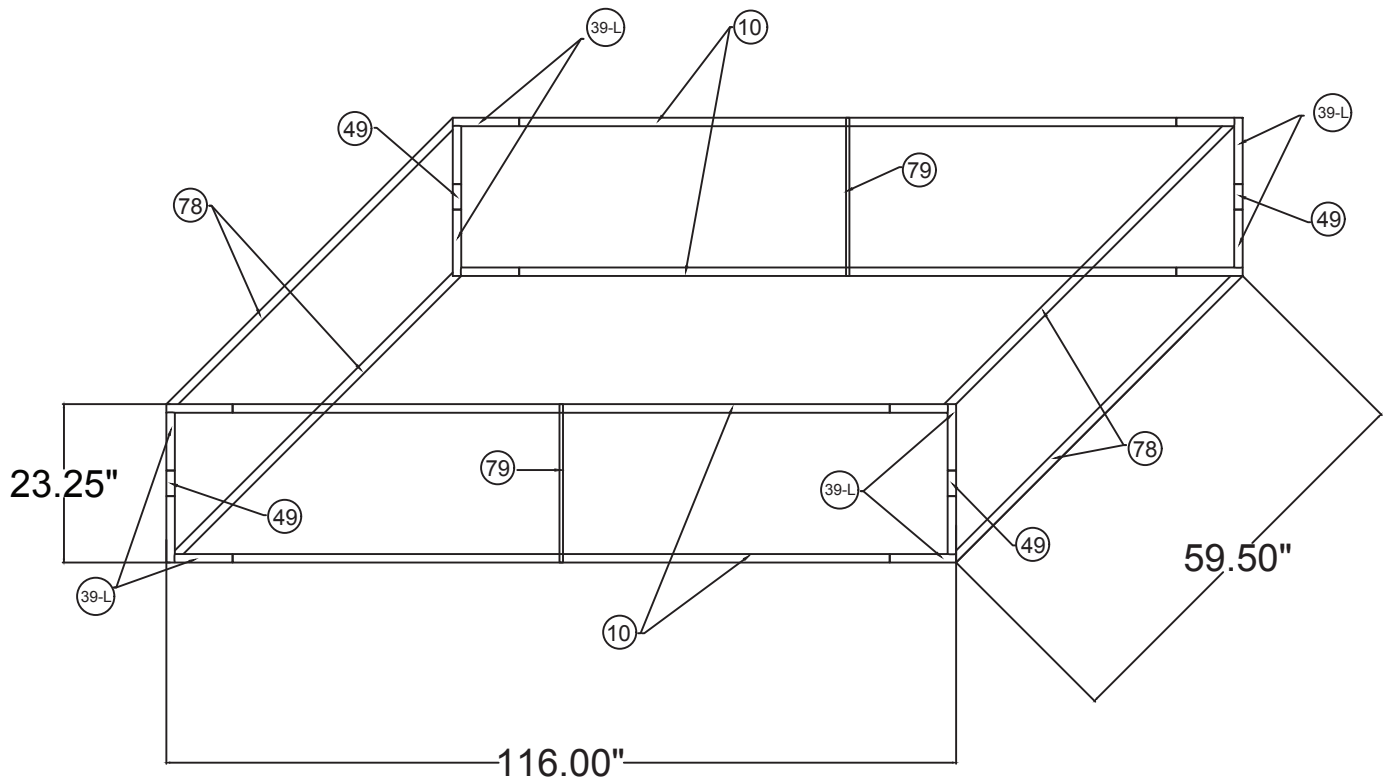
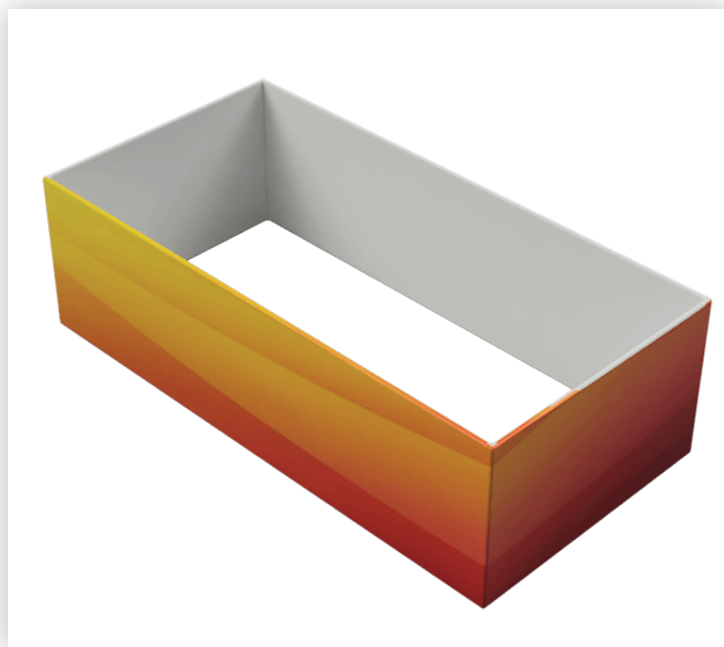


WAVELINE®

10'w x 2'h WL Hanging Sign



RHS1024



10'L x 5'w x 2'h Rectangular Hanging Sign	
Qty.	Part Number
8	WLM#039L-US
4	WLM#049
4	WLM#010
4	WLM#078
2	WLM#079
1	BGO-Fabirc-L bag

Notes:

- * Does not include Hanging Cables
- * will fit inside CA600 or CA900 case