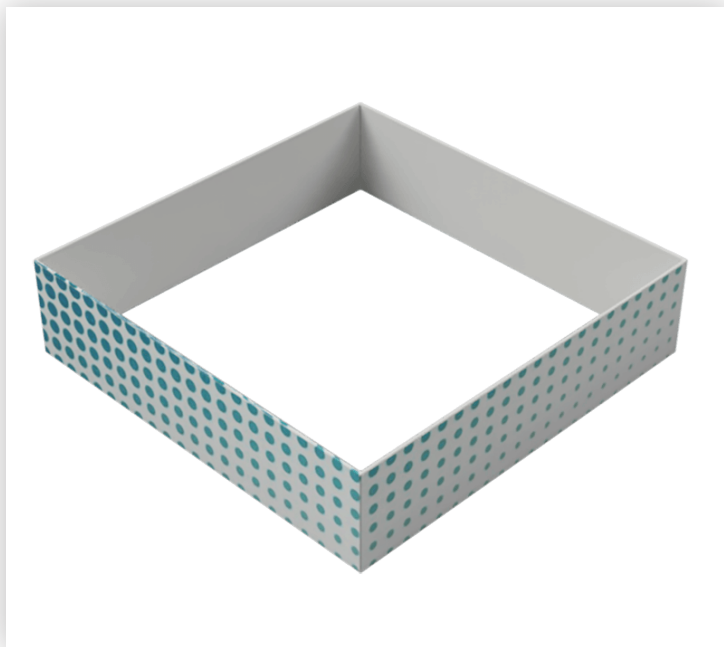
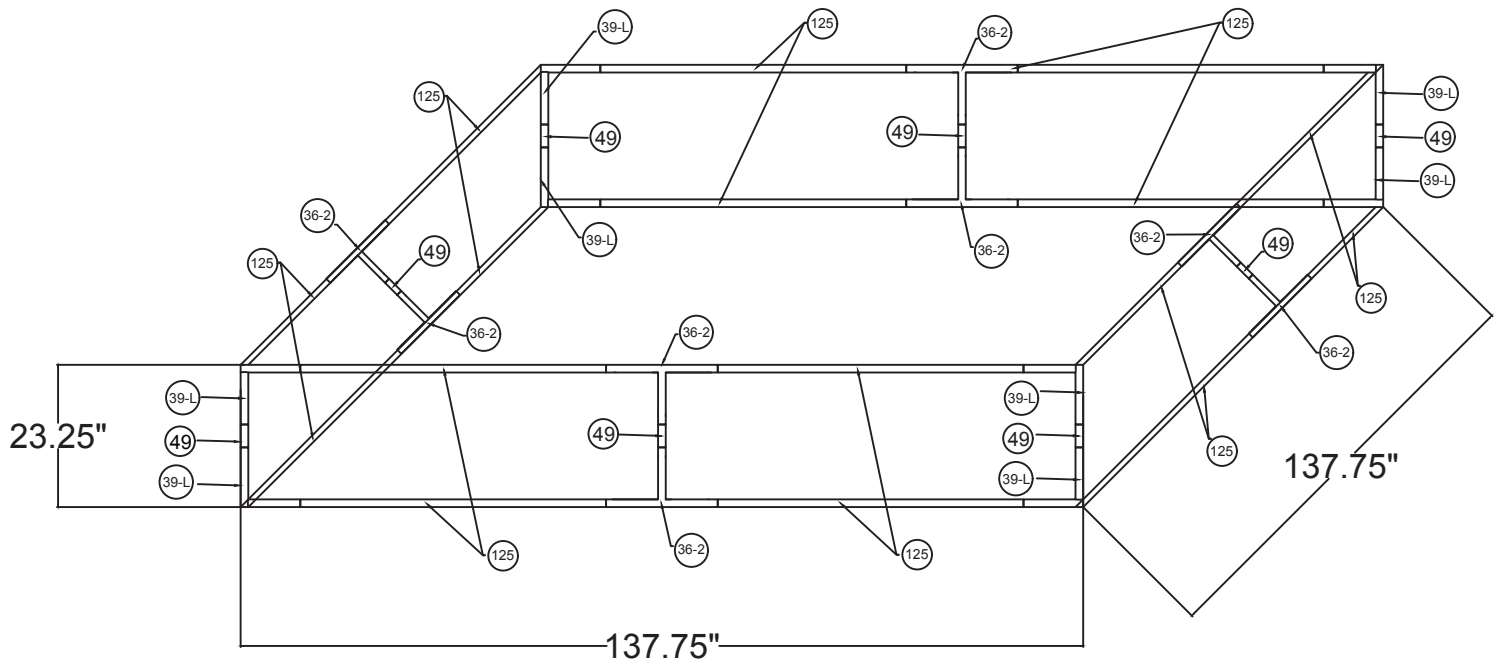


# WAVELINE®

## 12'w x 2'h WL Hanging Sign



### SHS1224

12'w x 2'h WL Hanging Sign	
Qty.	Part Number
8	WLM#039L-US
8	WLM#049
16	WLM#125
8	WLM#036-2-US
2	BGO-FABRIC-L bag

#### Notes:

- \* Does not include Hanging Cables
- \* Will fit inside a CA600 or CA900 case